



US00D579009S

(12) **United States Design Patent**
Su et al.

(10) **Patent No.:** **US D579,009 S**
(45) **Date of Patent:** **** Oct. 21, 2008**

(54) **ANTENNA DEVICE**

(75) Inventors: **Kuo-Ying Su**, Taipei (TW); **Yung-Da Lin**, Taipei (TW)

(73) Assignee: **Avermedia Technologies, Inc.**, Taipei (TW)

(**) Term: **14 Years**

(21) Appl. No.: **29/319,855**

(22) Filed: **Jun. 16, 2008**

(51) **LOC (8) Cl.** **14-03**

(52) **U.S. Cl.** **D14/230; D14/235; D14/238**

(58) **Field of Classification Search** **D14/230-238, D14/299, 358; 343/700 R, 840, 841, 908; 455/3.02, FOR. 215, 575.2**

See application file for complete search history.

(56) **References Cited**

U.S. PATENT DOCUMENTS

1,600,816	A	*	9/1926	Harbert	248/300
D206,717	S	*	1/1967	Appel et al.	D14/235
D405,090	S	*	2/1999	Guttadauro	D14/230
D409,199	S	*	5/1999	Taguchi et al.	D14/217
D455,419	S	*	4/2002	Inoue	D14/235
D471,181	S	*	3/2003	Haberstich	D14/230
D489,369	S	*	5/2004	Sasaki	D14/358
D489,712	S	*	5/2004	Nagatomi	D14/230

D523,920	S	*	6/2006	Cresswell	D21/804
D535,985	S	*	1/2007	Sergi	D14/238
D550,218	S	*	9/2007	Cislo	D14/230
D570,844	S	*	6/2008	Liu et al.	D14/433

* cited by examiner

Primary Examiner—Robert M. Spear

Assistant Examiner—John Windmuller

(74) *Attorney, Agent, or Firm*—Kirton & McConkie; Evan R. Witt

(57) **CLAIM**

The ornamental design for an antenna device, as shown and described.

DESCRIPTION

FIG. 1 is a perspective view of an antenna device showing our new design;

FIG. 2 is a right side view of FIG. 1, and the left side view being a mirror image thereof;

FIG. 3 is a top plan view of FIG. 1;

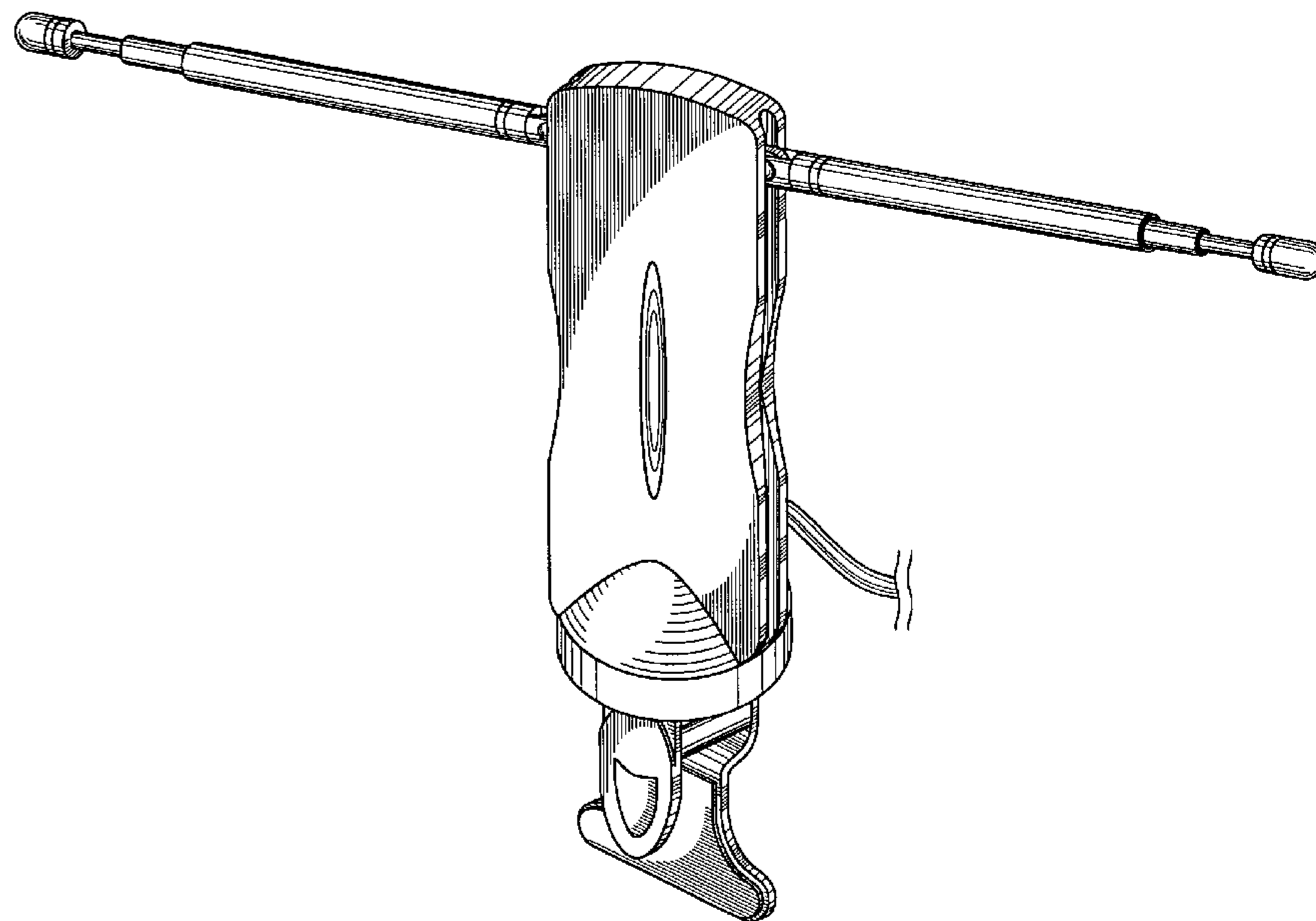
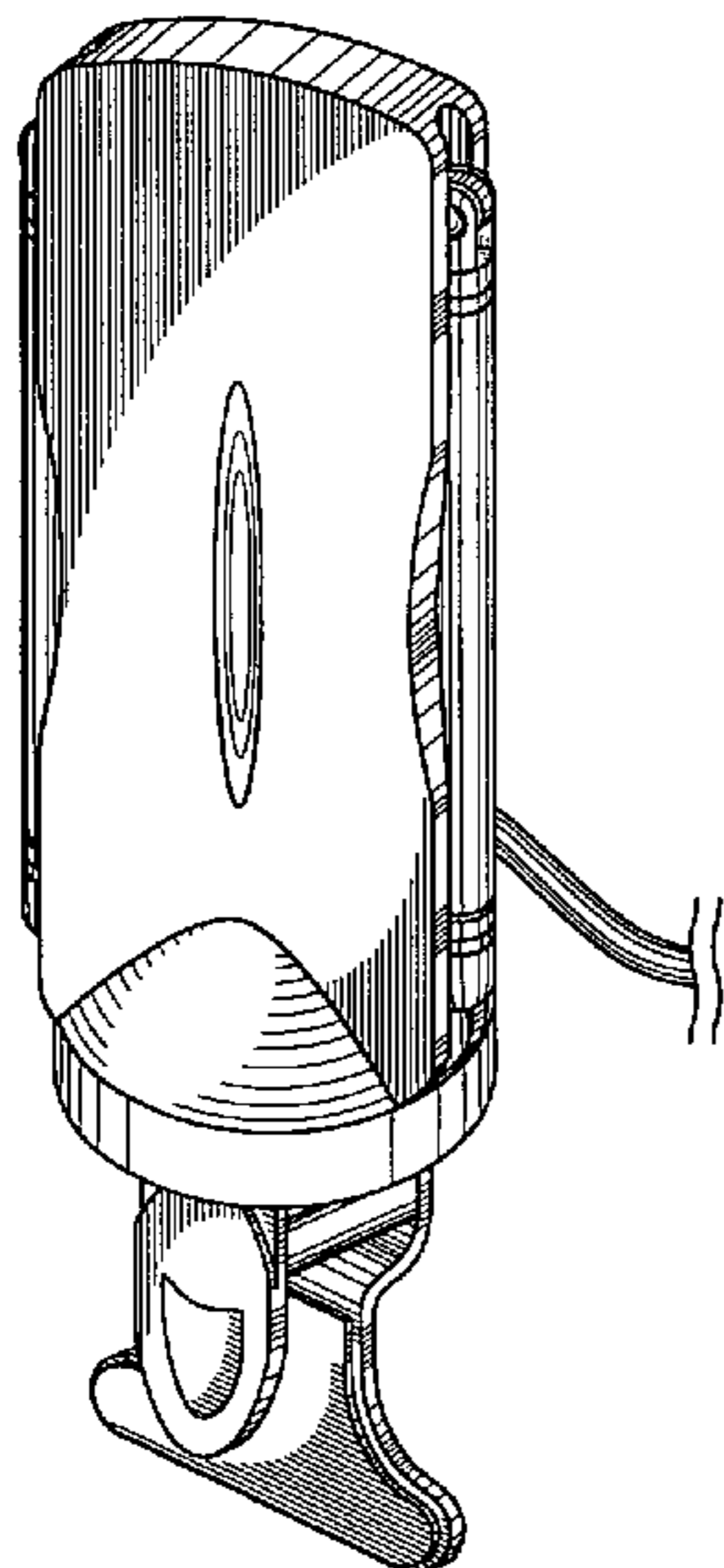
FIG. 4 is a front side view of FIG. 1;

FIG. 5 is a bottom plan view of FIG. 1;

FIG. 6 is a rear side view of FIG. 1; and,

FIG. 7 is a perspective view showing the use of the antenna device of FIG. 1.

1 Claim, 5 Drawing Sheets



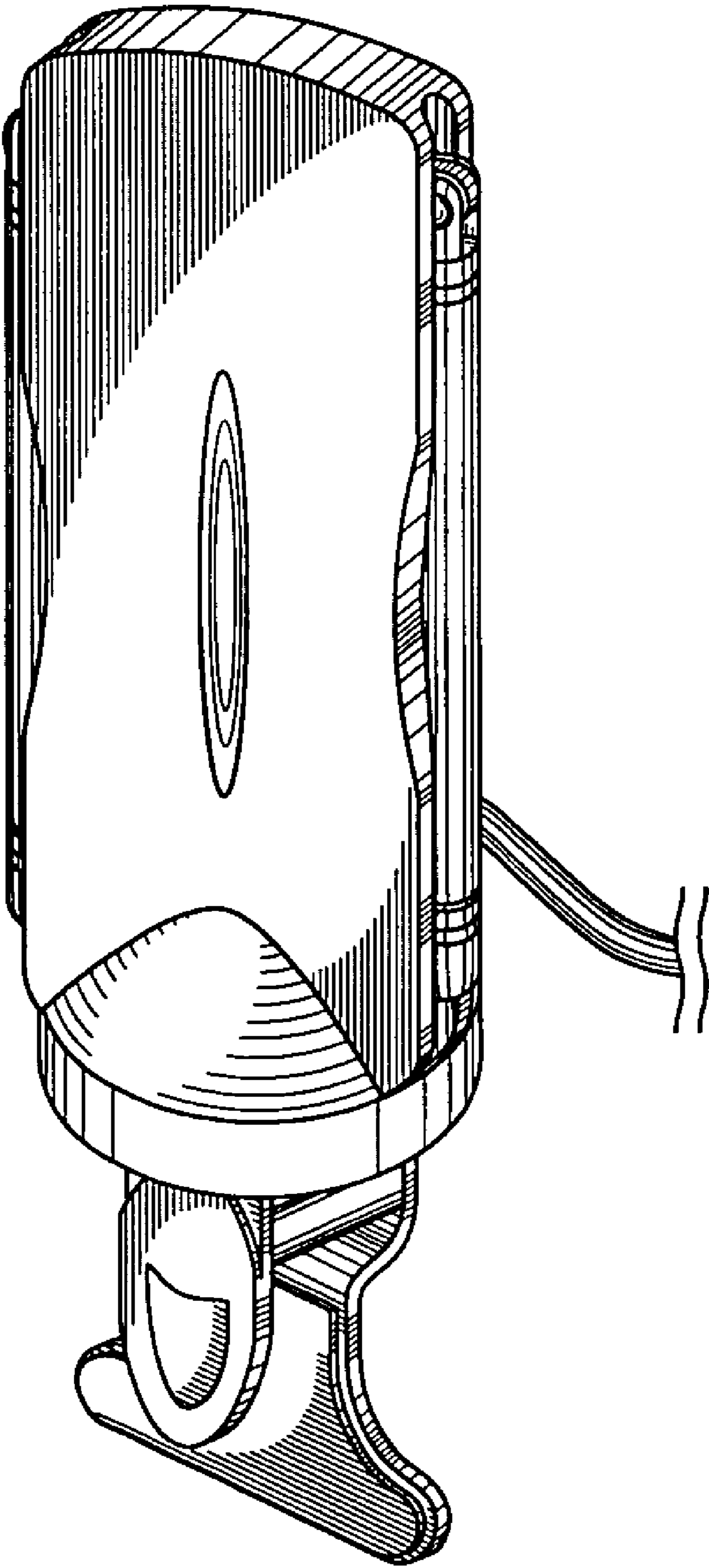


FIG. 1

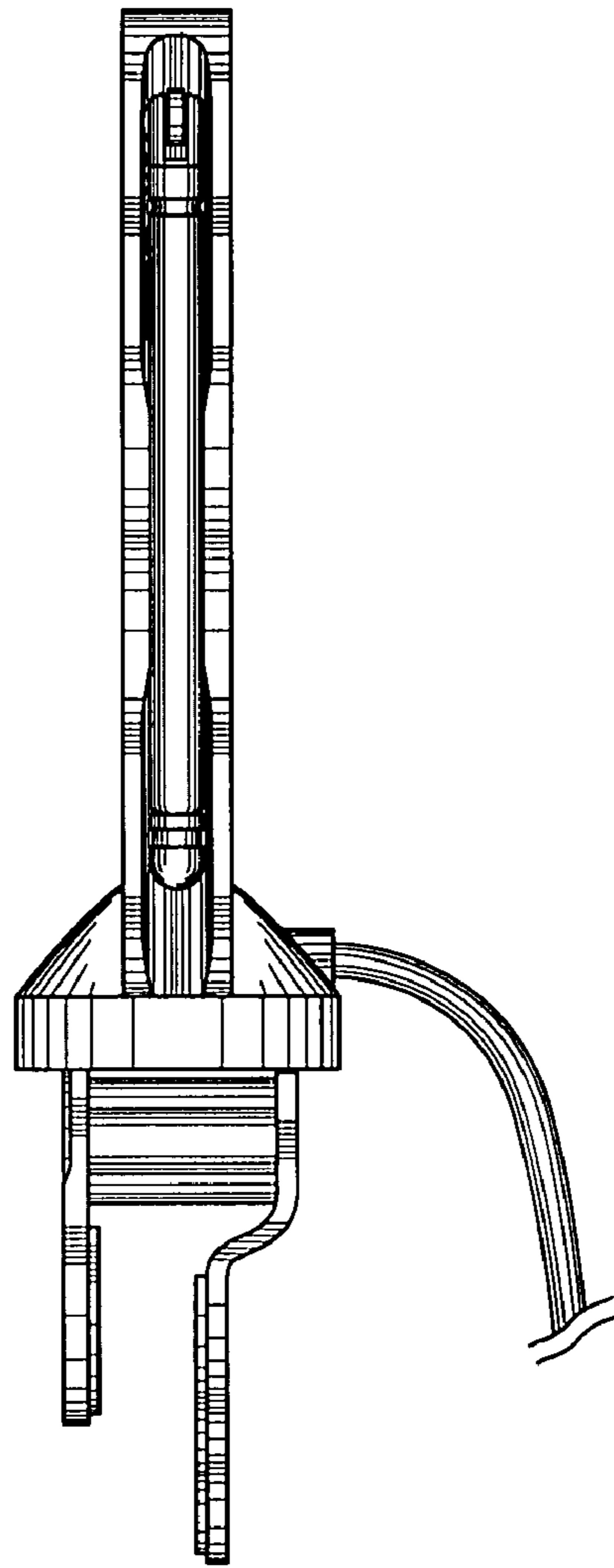


FIG. 2

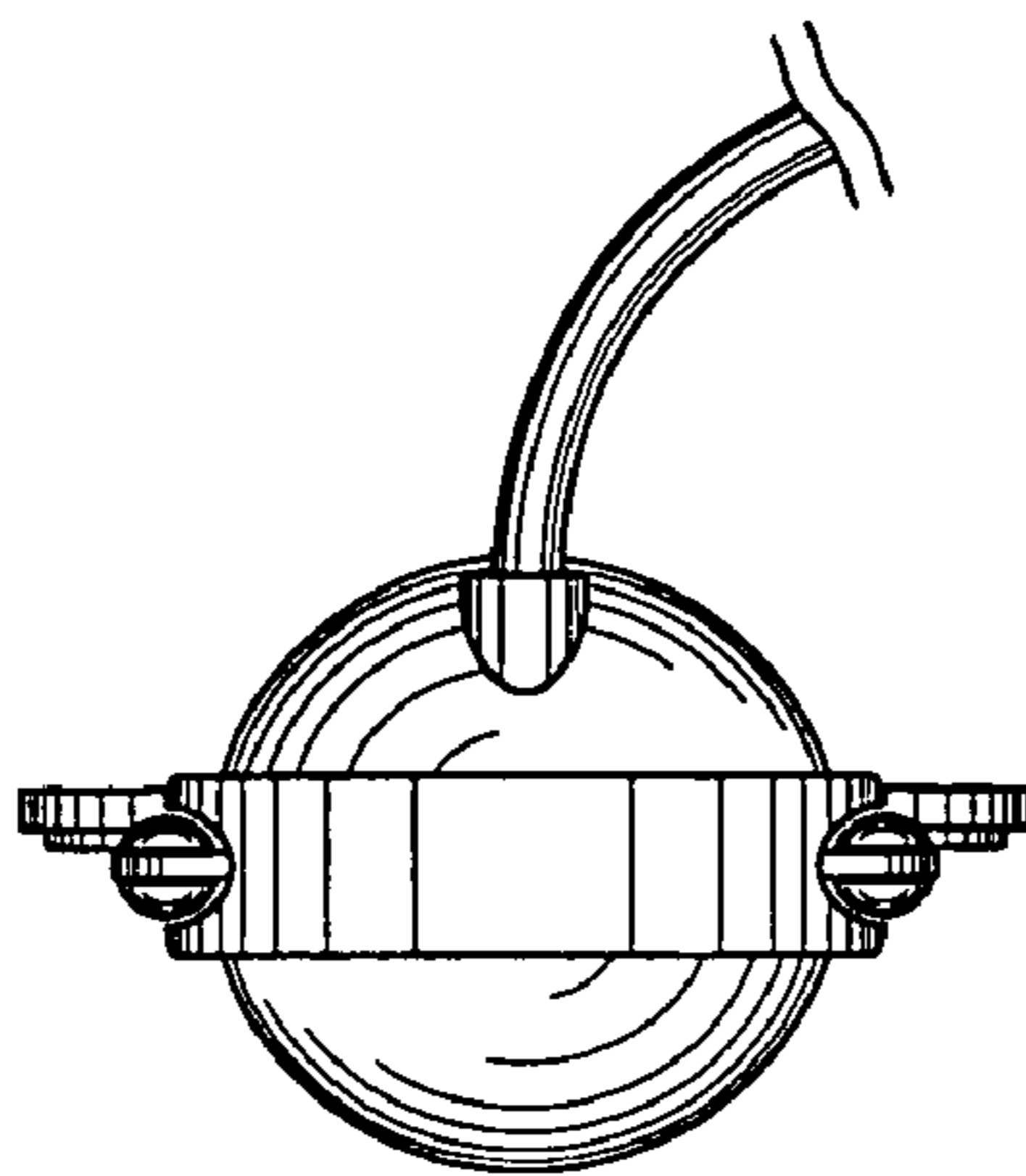


FIG. 3

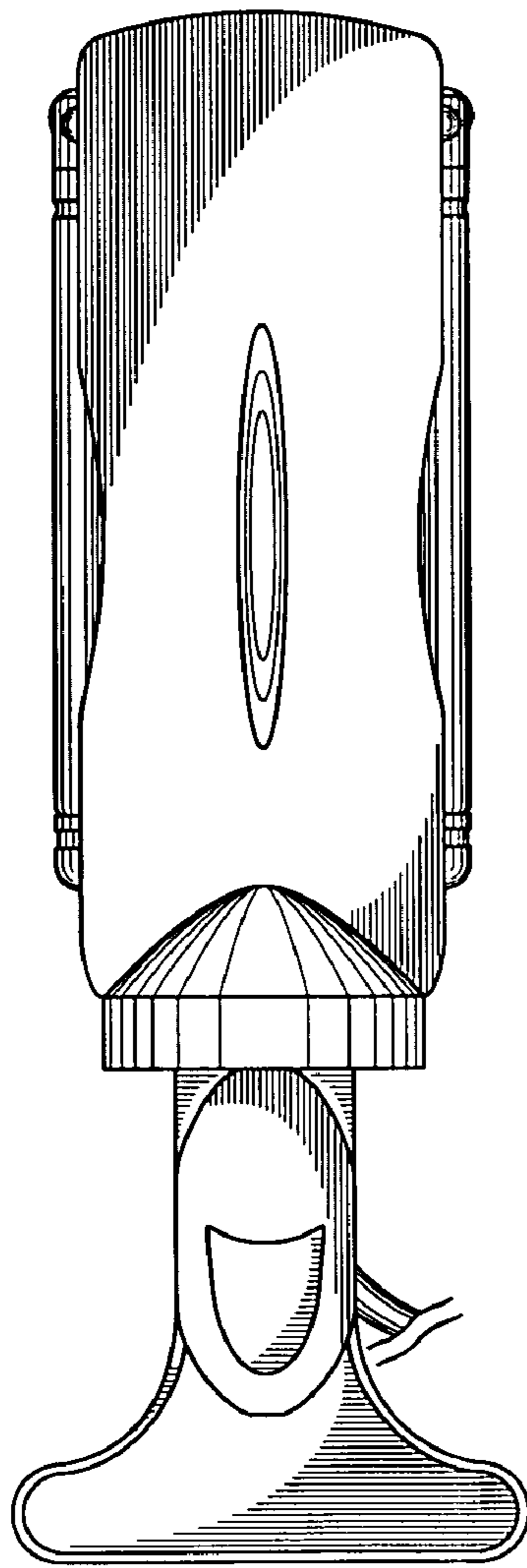


FIG. 4

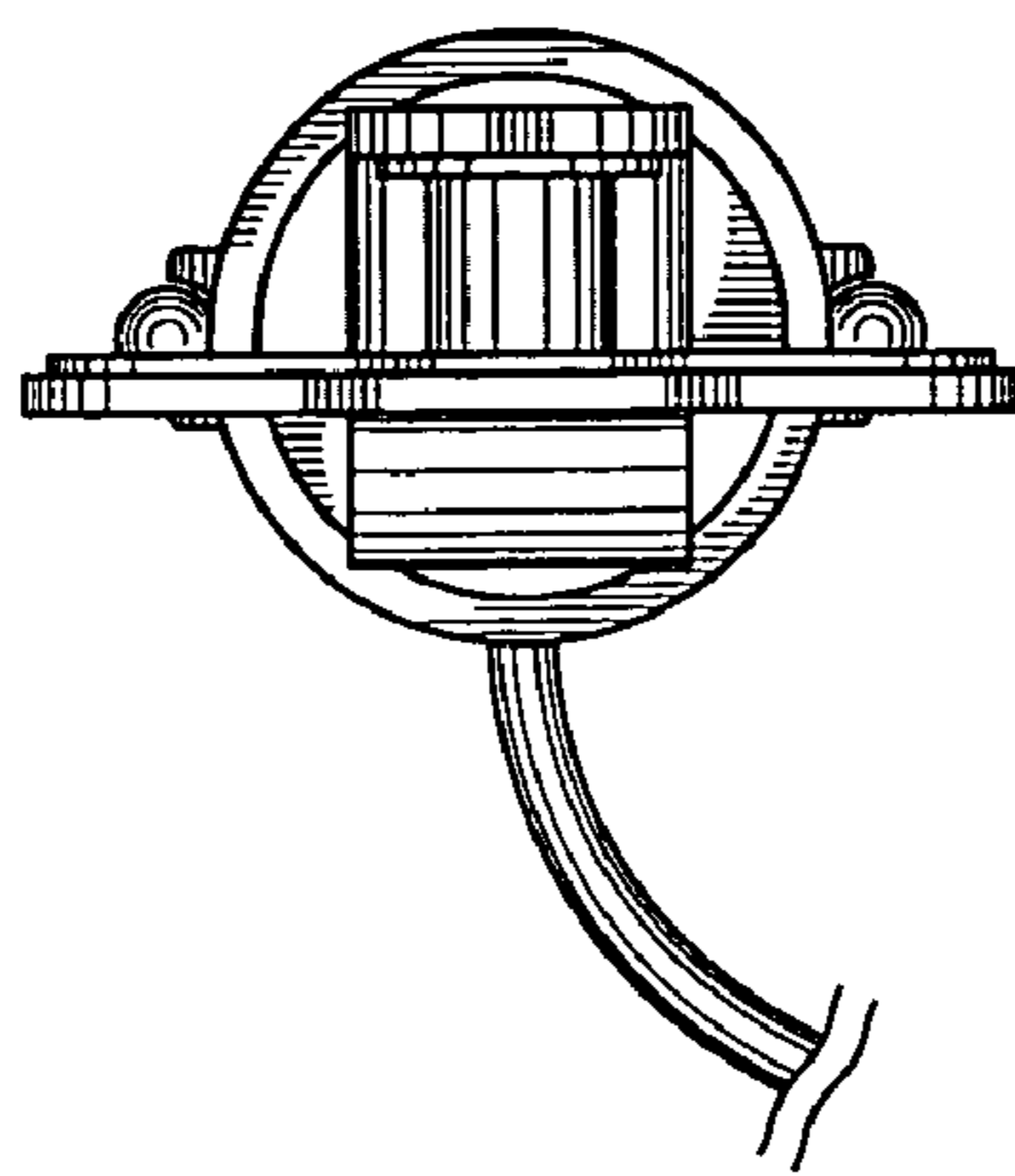


FIG. 5

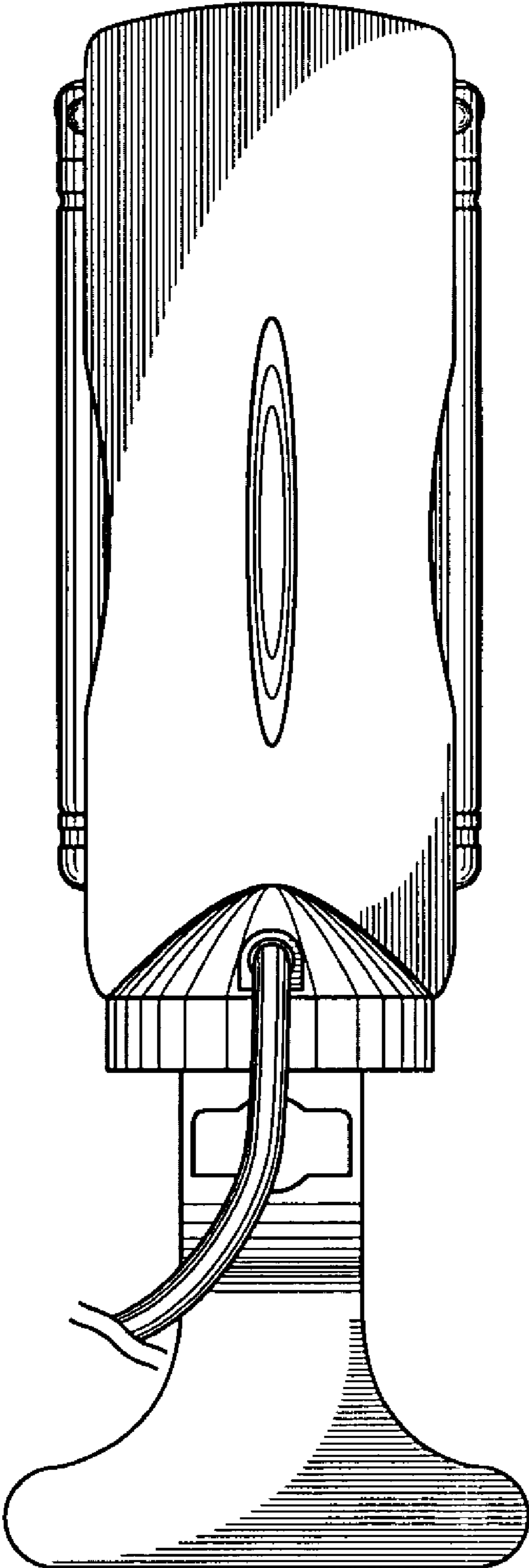


FIG.6

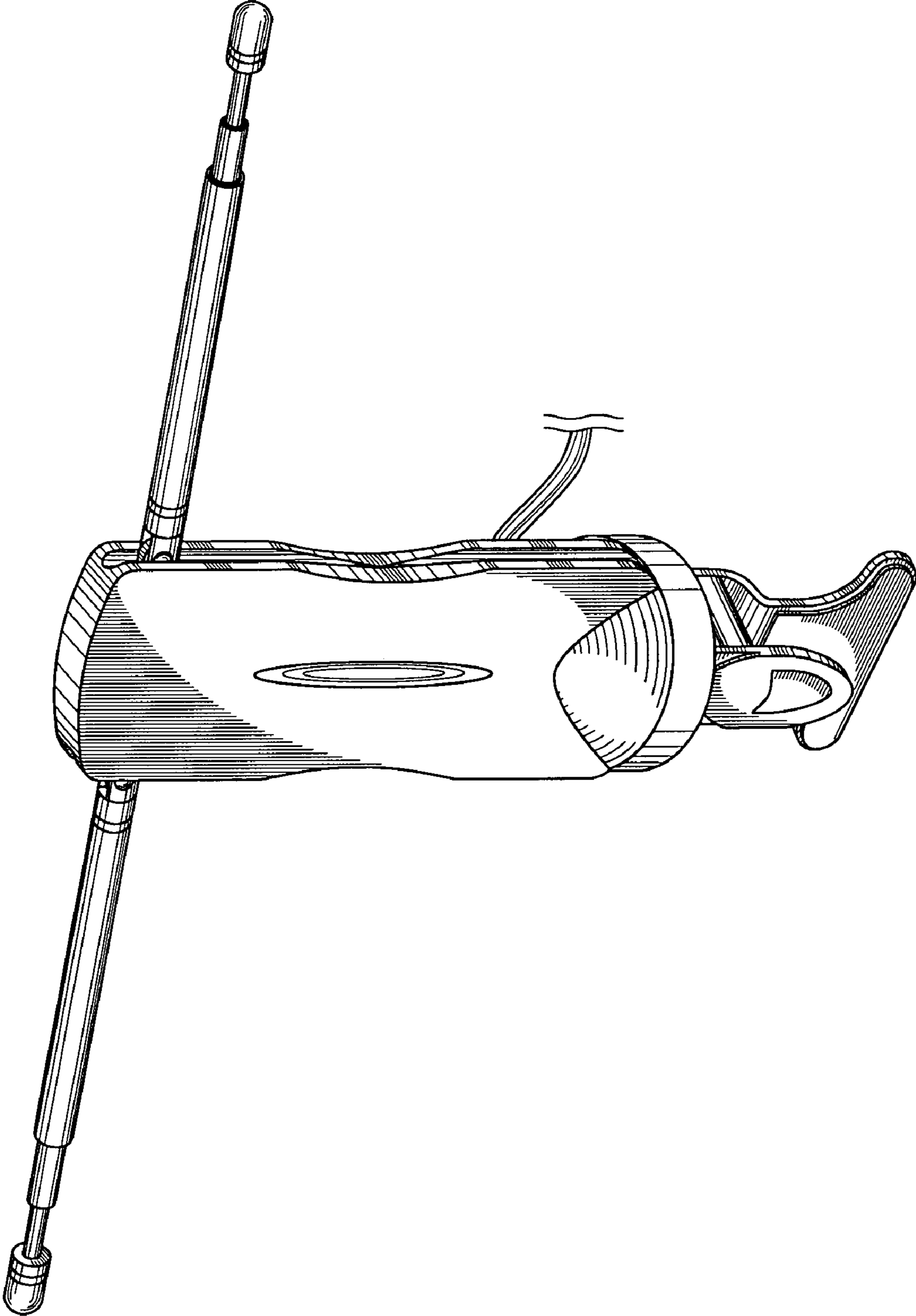


FIG.7