



US00D579007S

(12) **United States Design Patent**
Hawkins et al.

(10) **Patent No.:** **US D579,007 S**
(45) **Date of Patent:** **** Oct. 21, 2008**

(54) **LOUDSPEAKER ARRAY**

(75) Inventors: **Bernie Hawkins**, Long Beach, CA (US);
Steve Tamasi, Huntington Beach, CA
(US); **Luis F. Esparza**, Chino Hills, CA
(US)

(73) Assignee: **QSC Audio Products, Inc.**, Costa Mesa,
CA (US)

(**) Term: **14 Years**

(21) Appl. No.: **29/302,585**

(22) Filed: **Jan. 18, 2008**

Related U.S. Application Data

(62) Division of application No. 29/251,905, filed on Jan.
13, 2006, now Pat. No. Des. 560,207.

(51) **LOC (8) Cl.** **14-01**

(52) **U.S. Cl.** **D14/224; D14/217**

(58) **Field of Classification Search** D14/204,
D14/209–217, 221, 224; 211/118, 175, 182;
181/143–151, 157, 198–199; 224/311; 248/324,
248/278.1, 229.1; 381/300–302, 306, 333,
381/345, 361–364, 386–388, 332, 336; 29/434
See application file for complete search history.

(56) **References Cited**

U.S. PATENT DOCUMENTS

D222,476 S * 10/1971 Yoshihiko D14/210
5,000,286 A * 3/1991 Crawford et al. 181/145

D369,356 S * 4/1996 Olson D14/214
D394,263 S * 5/1998 Fischer D14/214
5,749,137 A * 5/1998 Martin 29/434
5,819,959 A * 10/1998 Martin 211/118
5,996,728 A * 12/1999 Stark 181/144
D500,306 S * 12/2004 Noselli D14/217
D531,986 S * 11/2006 Azumi et al. D14/214

* cited by examiner

Primary Examiner—Nanda Bondade

(74) *Attorney, Agent, or Firm*—Perkins Coie LLP

(57) **CLAIM**

The ornamental design for the loudspeaker array, as shown
and described.

DESCRIPTION

FIG. 1 is a perspective view of a loudspeaker array showing
our new design;

FIG. 2 is front elevational view thereof;

FIG. 3 is a rear elevational view thereof;

FIG. 4 is a left side elevational view thereof;

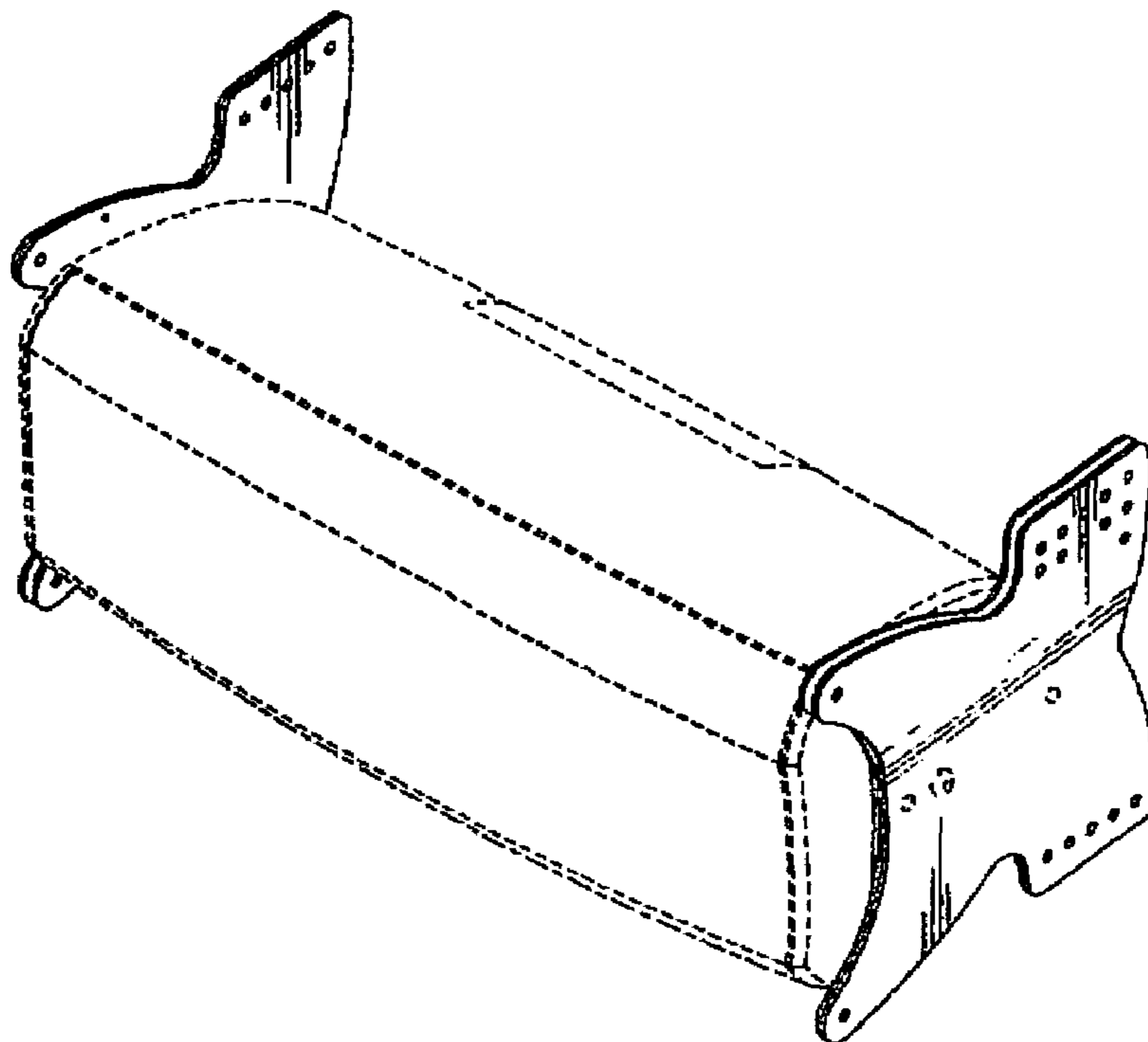
FIG. 5 is a right side elevational view thereof;

FIG. 6 is a top plan view thereof; and,

FIG. 7 is a bottom plan view thereof.

The broken line showing on the drawing disclosure is for
illustrative purposes only and forms no part of the claimed
design.

1 Claim, 2 Drawing Sheets



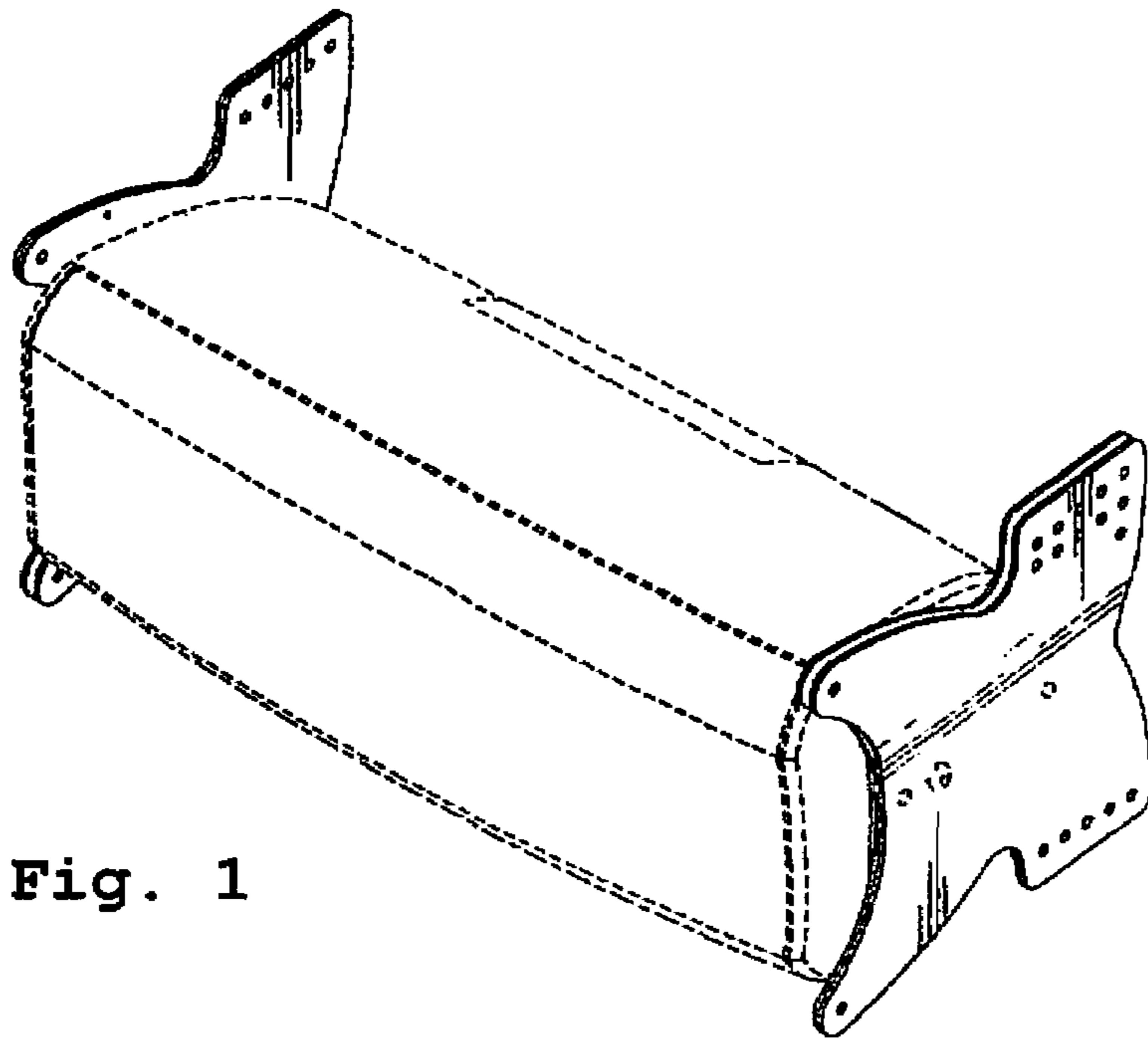


Fig. 1

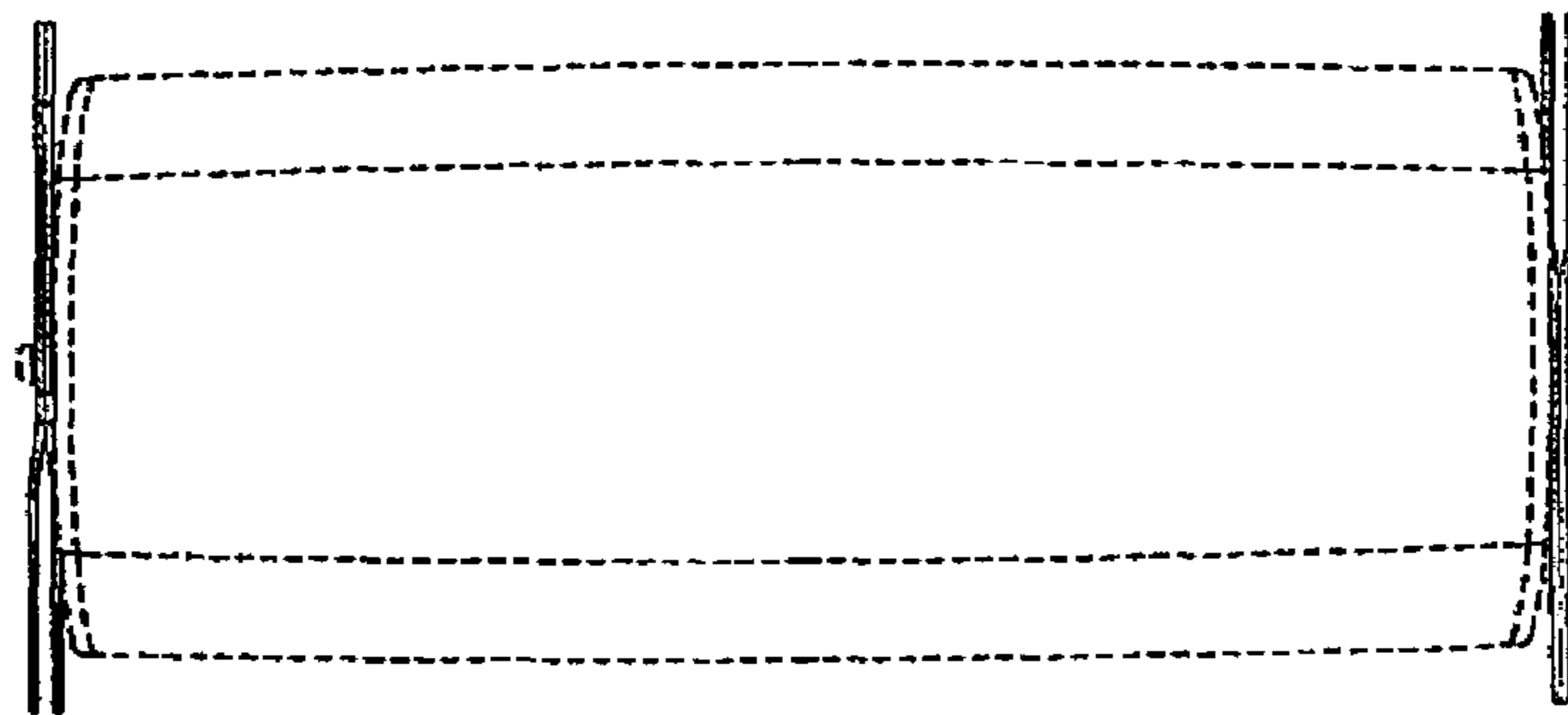


Fig. 2

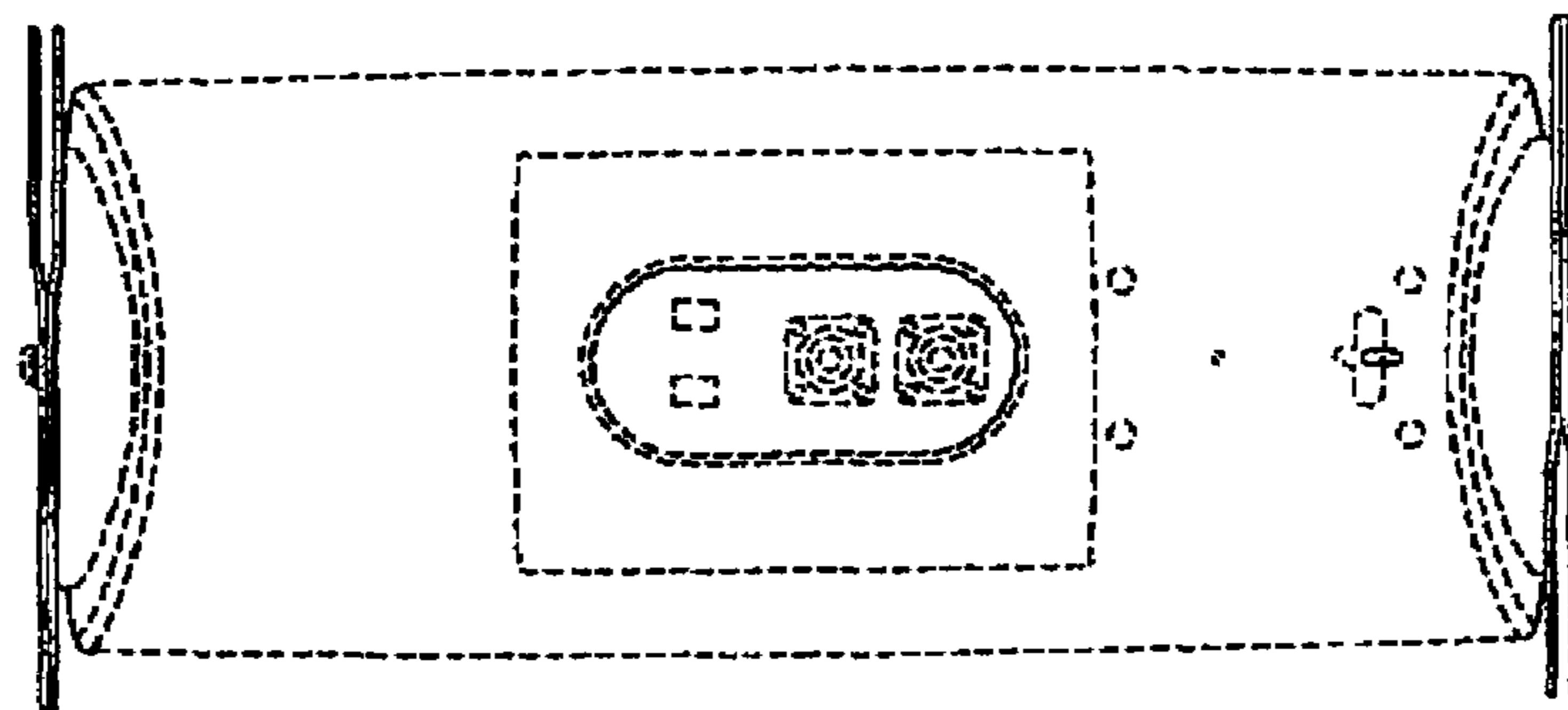


Fig. 3

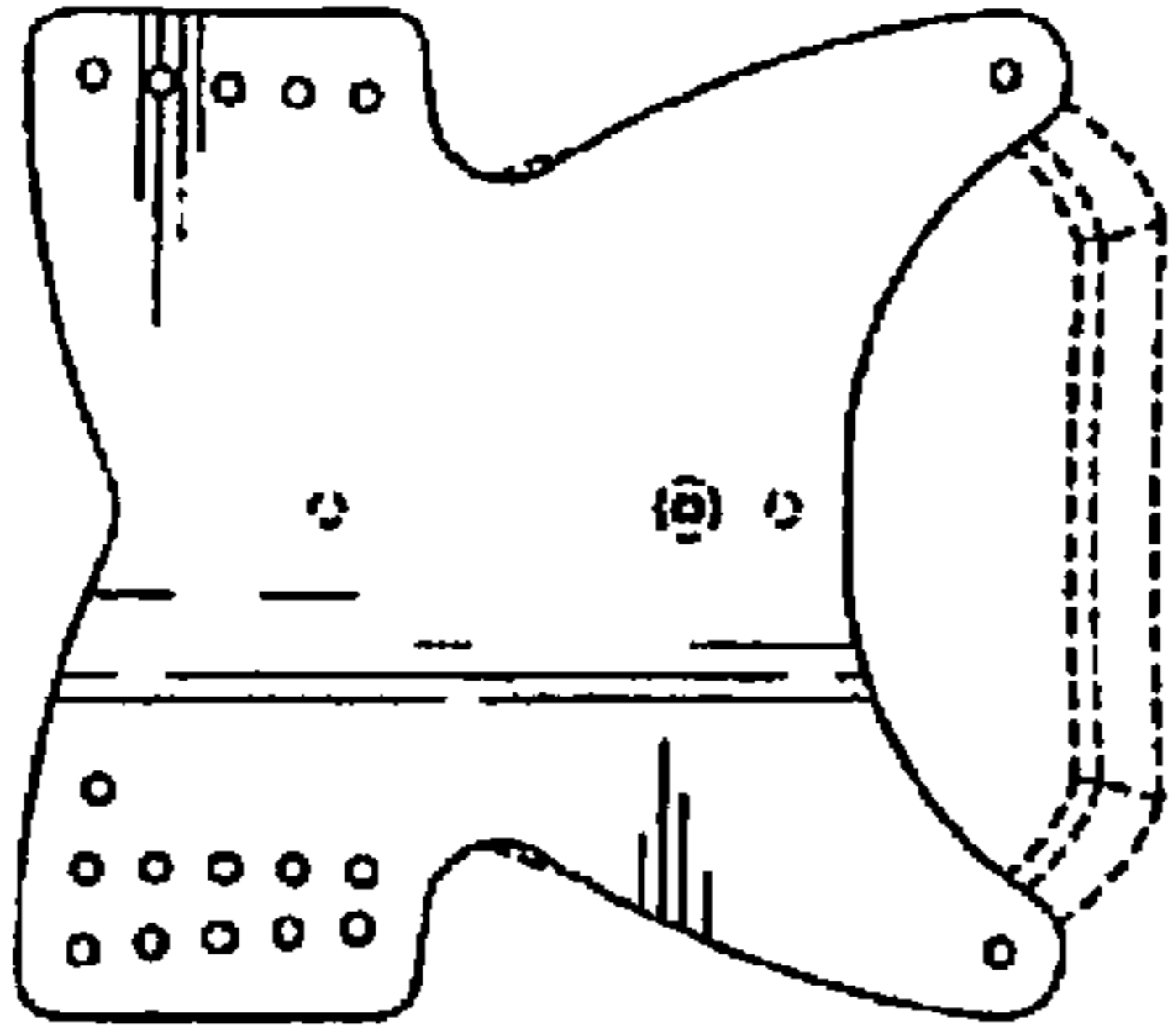


Fig. 4

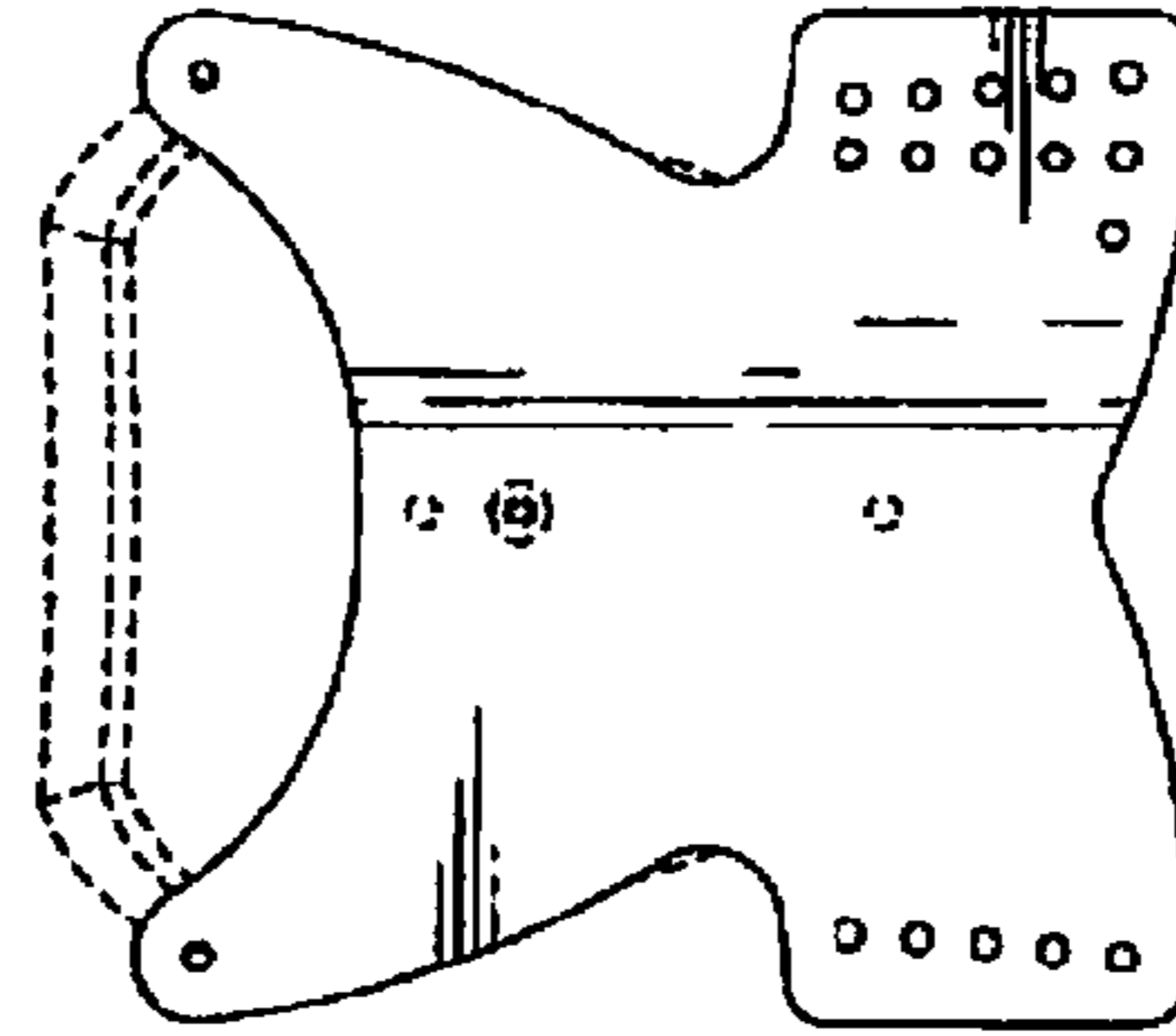


Fig. 5

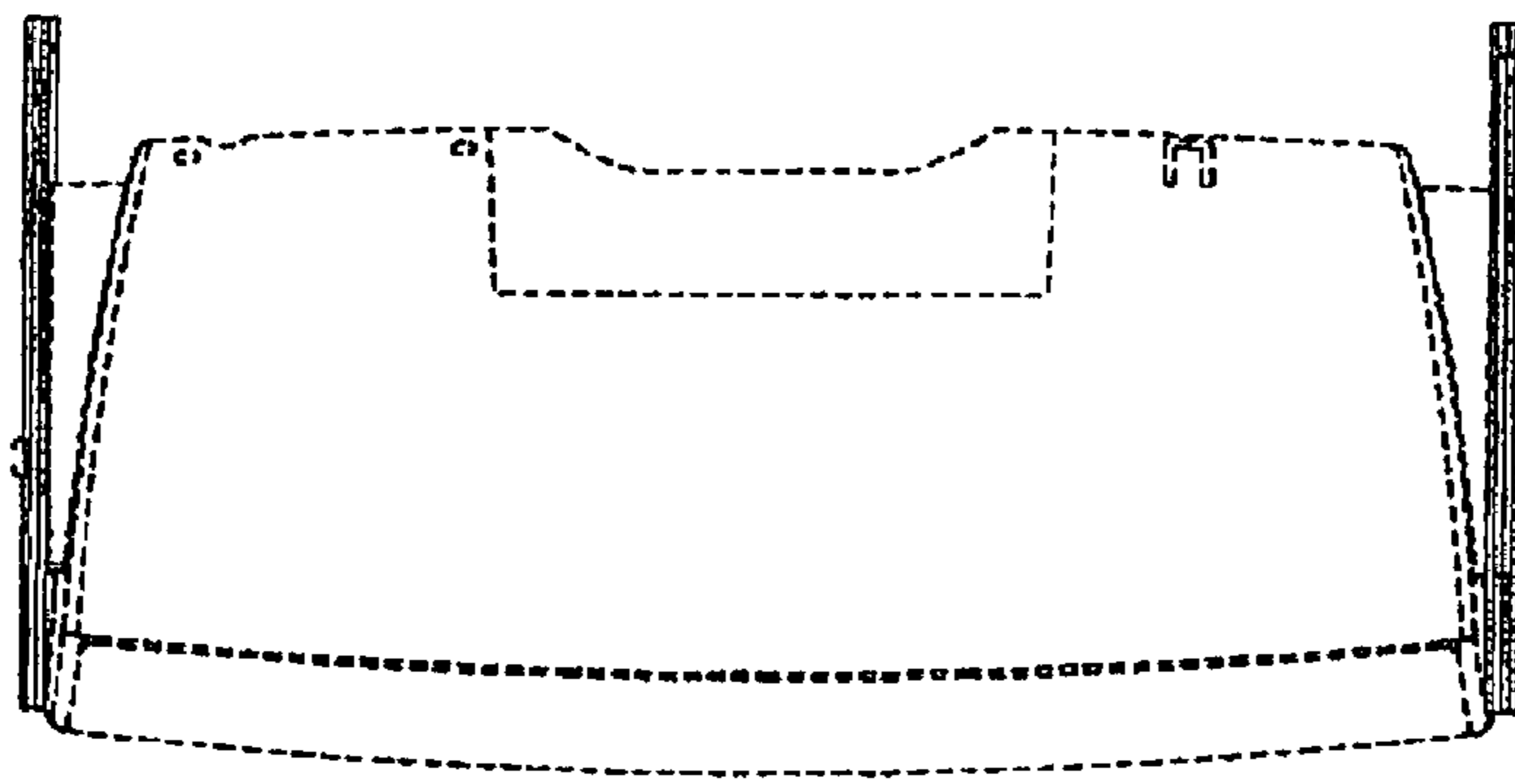


Fig. 6

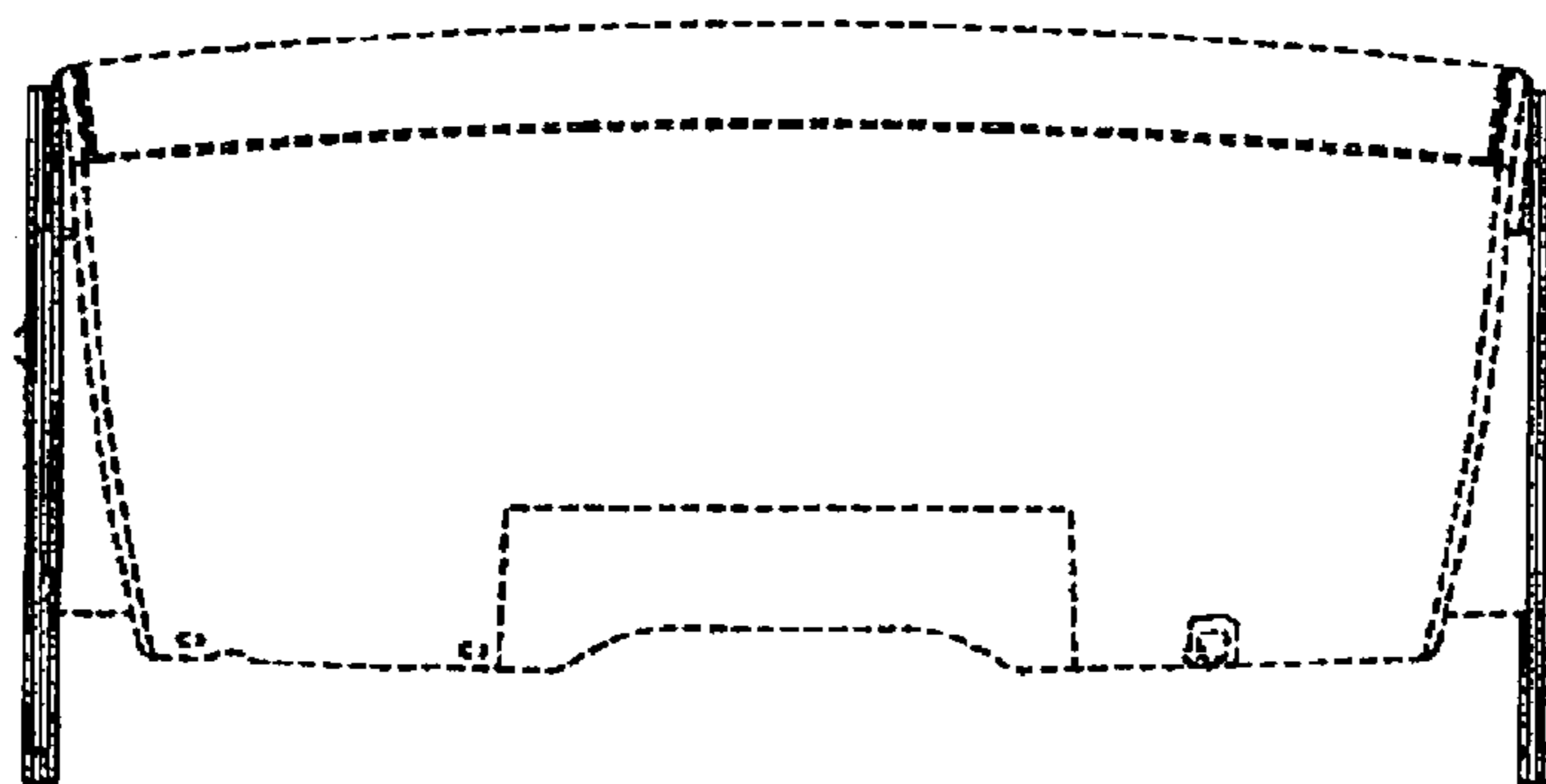


Fig. 7