



US00D579006S

(12) **United States Design Patent**
Kim et al.

(10) **Patent No.:** **US D579,006 S**
(45) **Date of Patent:** **** Oct. 21, 2008**

(54) **WIRELESS HEADSET**

(75) Inventors: **Hak-Do Kim**, Seoul (KR);
Chang-Hwan Hwang, Goyang-Si (KR);
Young-Ju Yeo, Seoul (KR)

(73) Assignee: **Samsung Electronics Co., Ltd.**,
Suwon-Si (KR)

(**) Term: **14 Years**

(21) Appl. No.: **29/290,223**

(22) Filed: **Nov. 6, 2007**

(30) **Foreign Application Priority Data**

Jul. 5, 2007 (KR) 30-2007-0029200

(51) **LOC (8) Cl.** **14-01**

(52) **U.S. Cl.** **D14/223**

(58) **Field of Classification Search** D14/205,
D14/206, 223, 142, 188, 192; D24/173,
D24/174; 181/129, 130, 135; 379/430; 381/330,
381/370, 374, 376, 378, 380, 381
See application file for complete search history.

(56) **References Cited**

U.S. PATENT DOCUMENTS

D287,280 S * 12/1986 Topholm D24/174
5,654,530 A * 8/1997 Sauer et al. 181/130
D468,301 S * 1/2003 Fushimi D14/223
D517,053 S * 3/2006 Ham D14/223
7,248,902 B2 * 7/2007 Chu 455/569.1
D559,836 S * 1/2008 Lee D14/223

D561,743 S * 2/2008 Huang et al. D14/223
D562,310 S * 2/2008 Moon et al. D14/223
D562,808 S * 2/2008 Gwee et al. D14/223
D566,105 S * 4/2008 Yang et al. D14/223
D566,108 S * 4/2008 Kan D14/223
D566,694 S * 4/2008 Kim et al. D14/223
D568,301 S * 5/2008 Kim et al. D14/223

* cited by examiner

Primary Examiner—Paula A Greene

(74) *Attorney, Agent, or Firm*—Staas & Halsey LLP

(57) **CLAIM**

The ornamental design for a wireless headset, as shown and described.

DESCRIPTION

FIG. 1 is a perspective view of a wireless headset;
FIG. 2 is a front view of the wireless headset of FIG. 1;
FIG. 3 is a rear view of the wireless headset of FIG. 1;
FIG. 4 is a left-side view of the wireless headset of FIG. 1;
FIG. 5 is a right-side view of the wireless headset of FIG. 1;
FIG. 6 is a top plan view of the wireless headset of FIG. 1;
FIG. 7 is a bottom plan view of the wireless headset of FIG. 1;
and,
FIG. 8 is a perspective view of the wireless headset of FIG. 1 stored in a container.

The broken lines in FIG. 8 are included for the purpose of illustration and form no part of the claimed design.

1 Claim, 5 Drawing Sheets

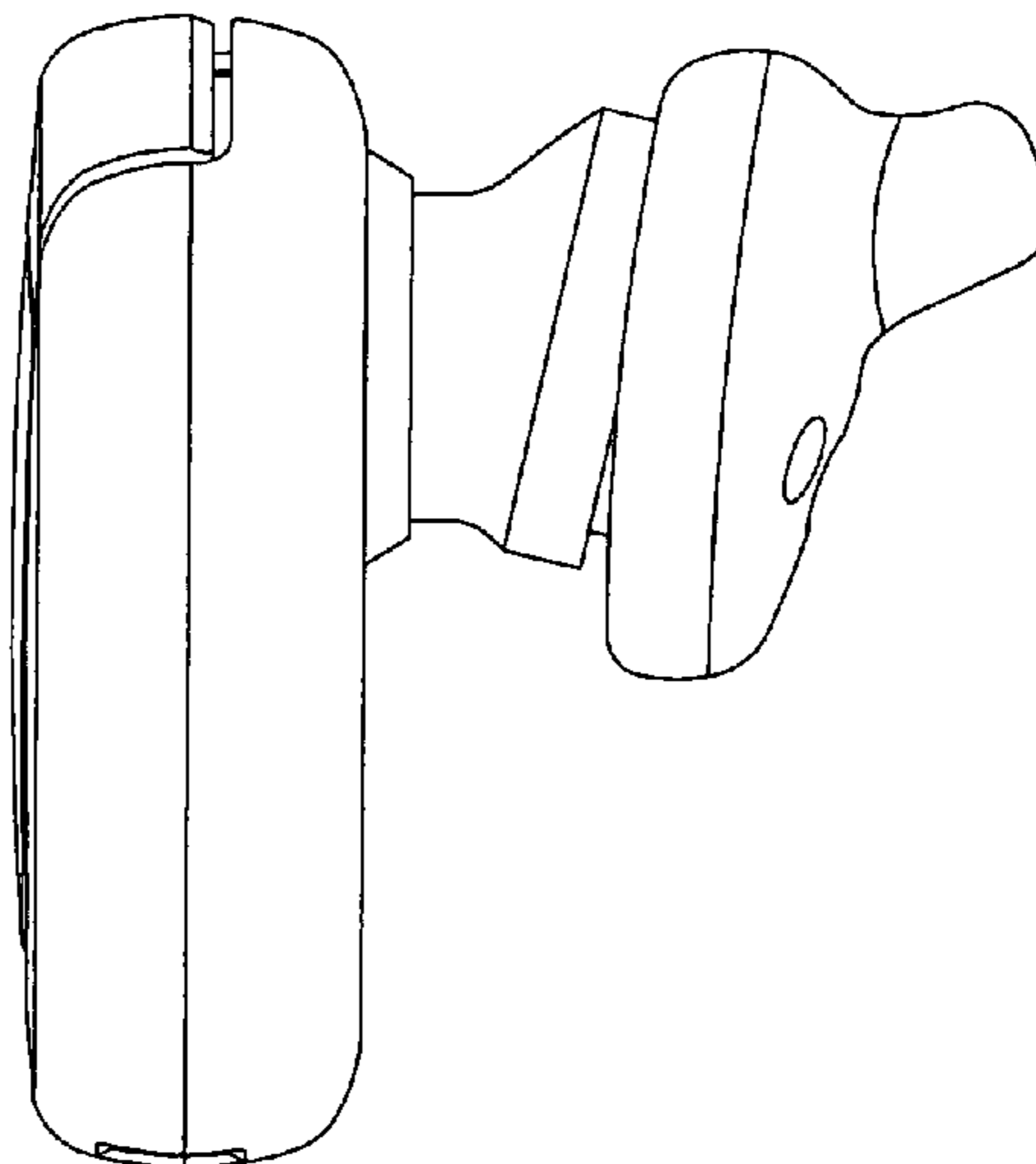
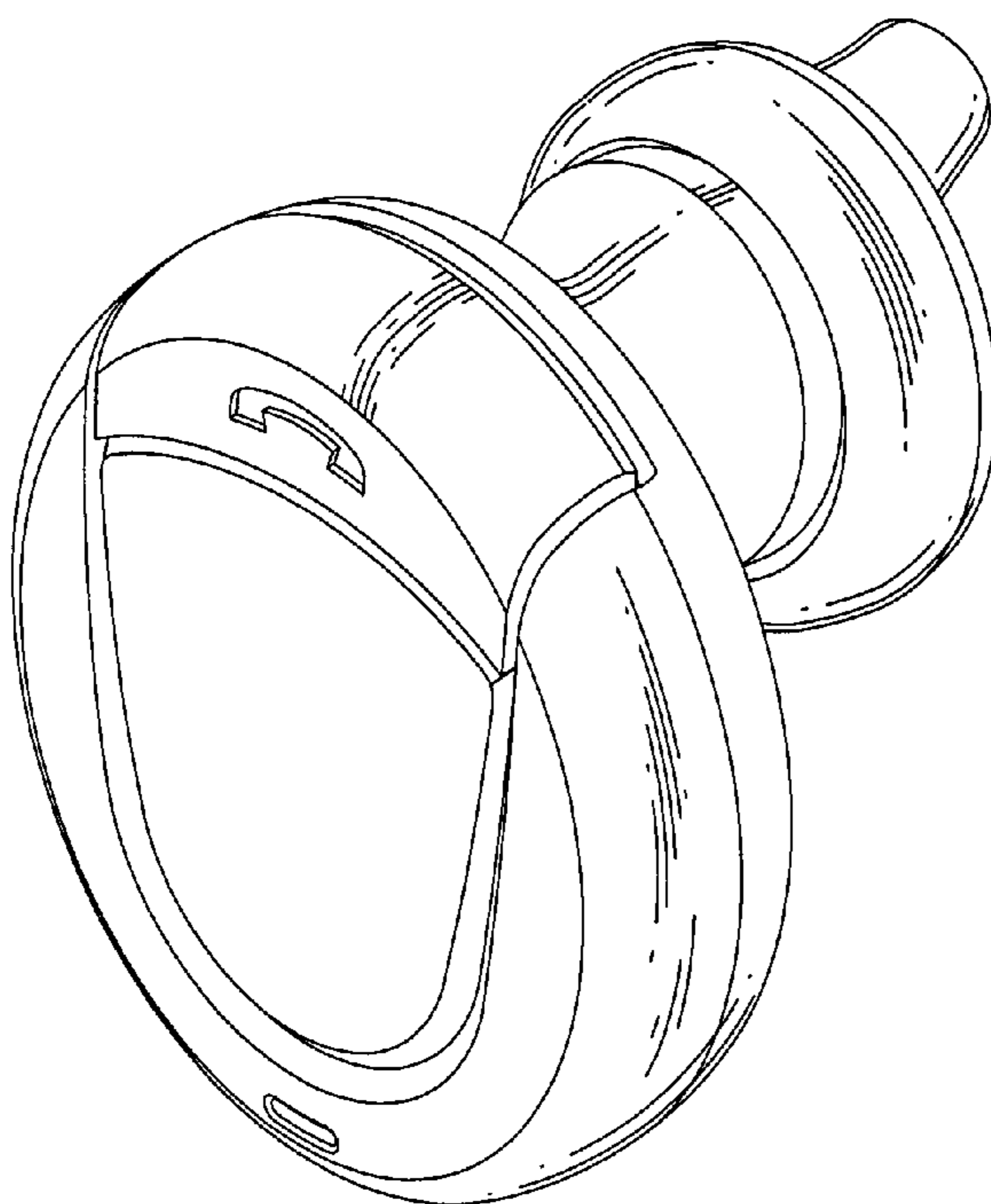


FIG. 1

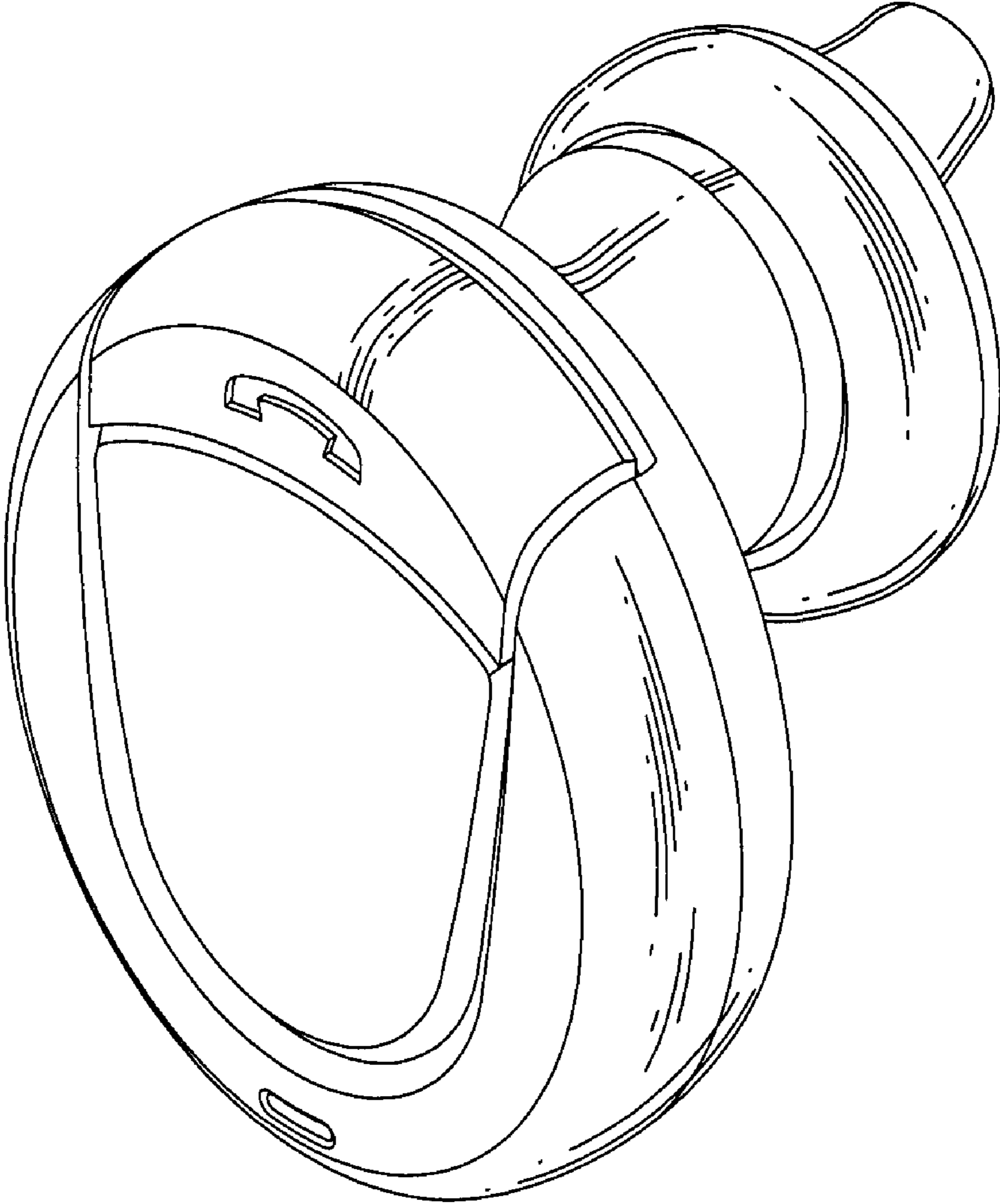


FIG. 2

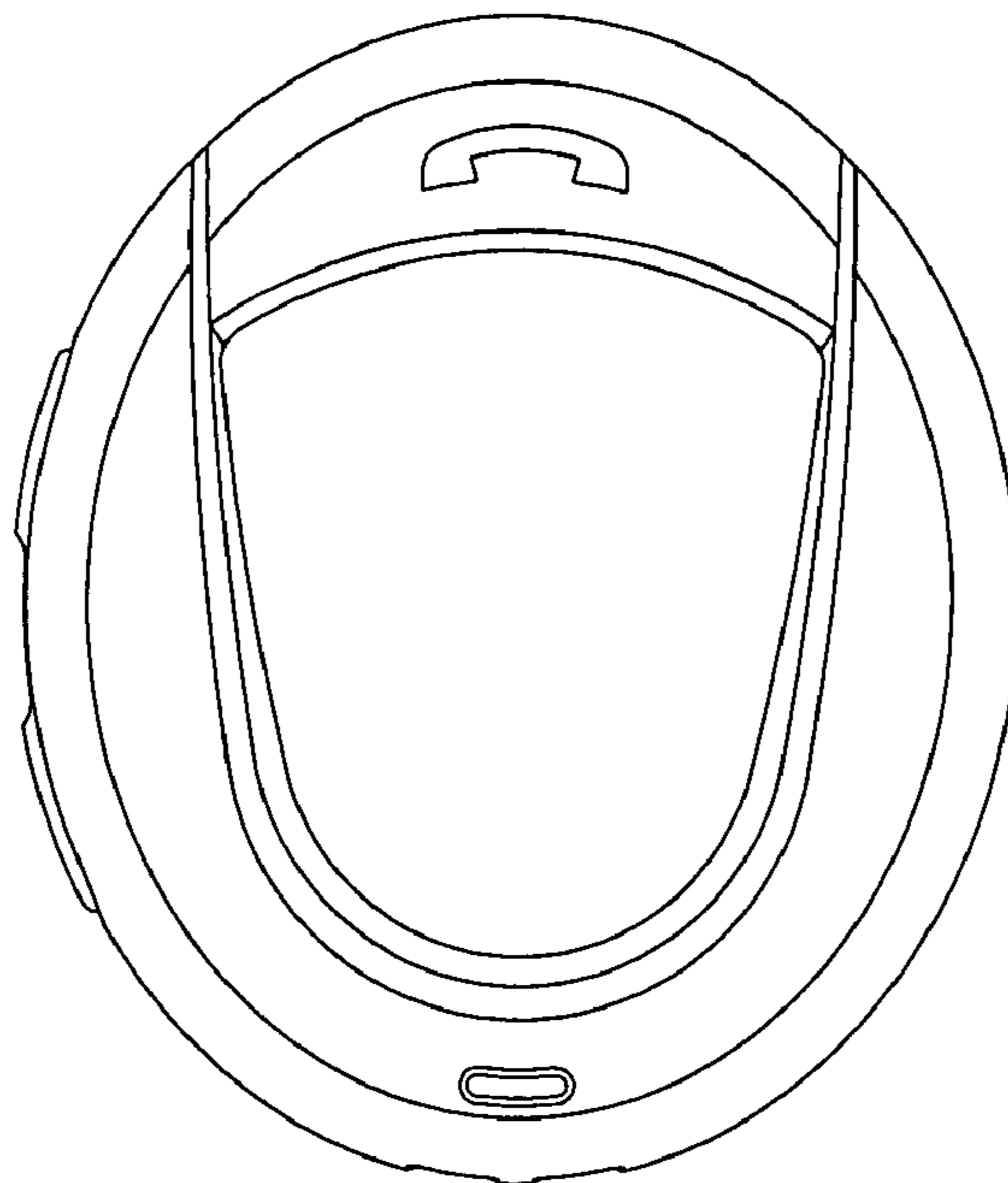


FIG. 3

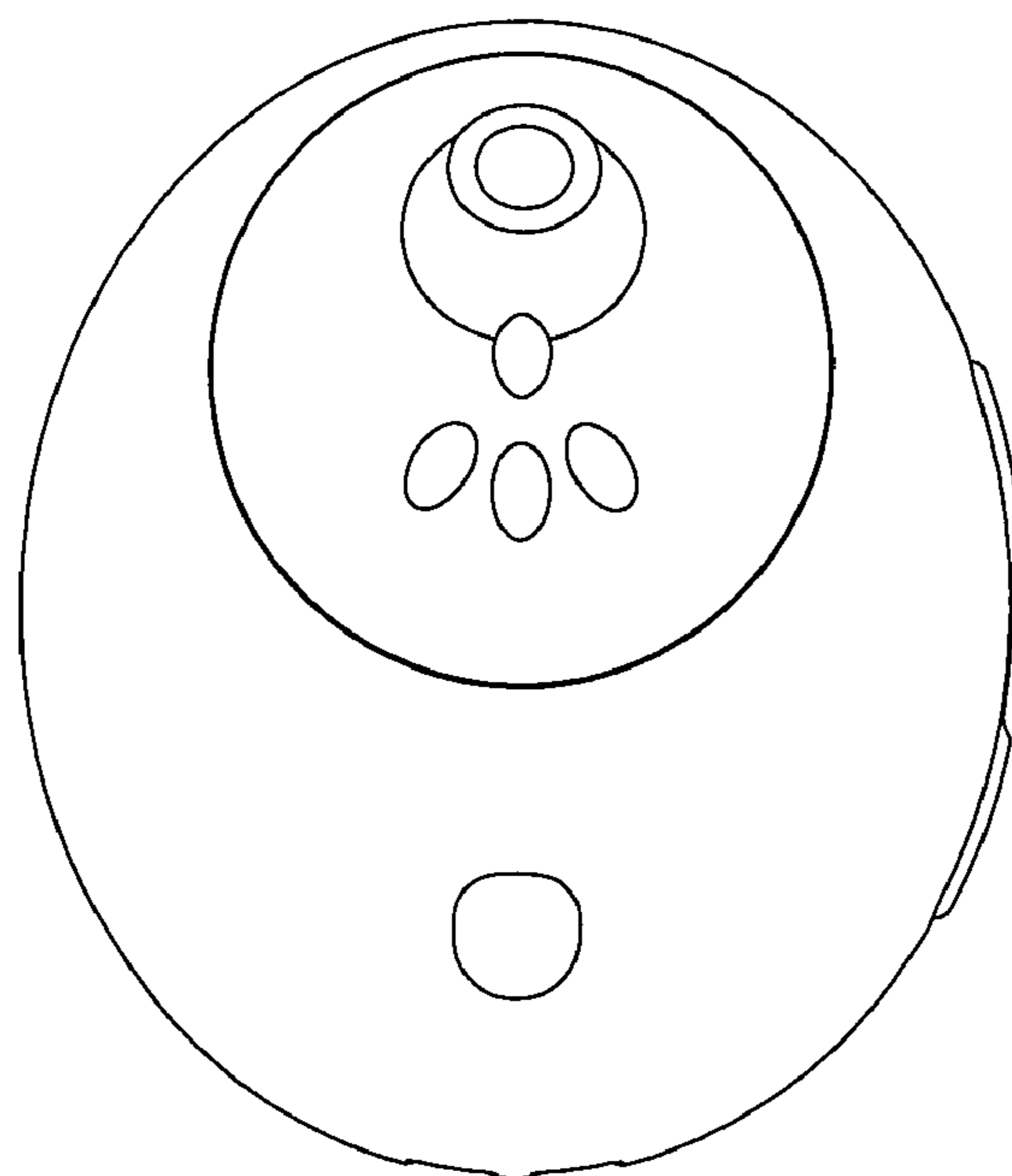


FIG. 4

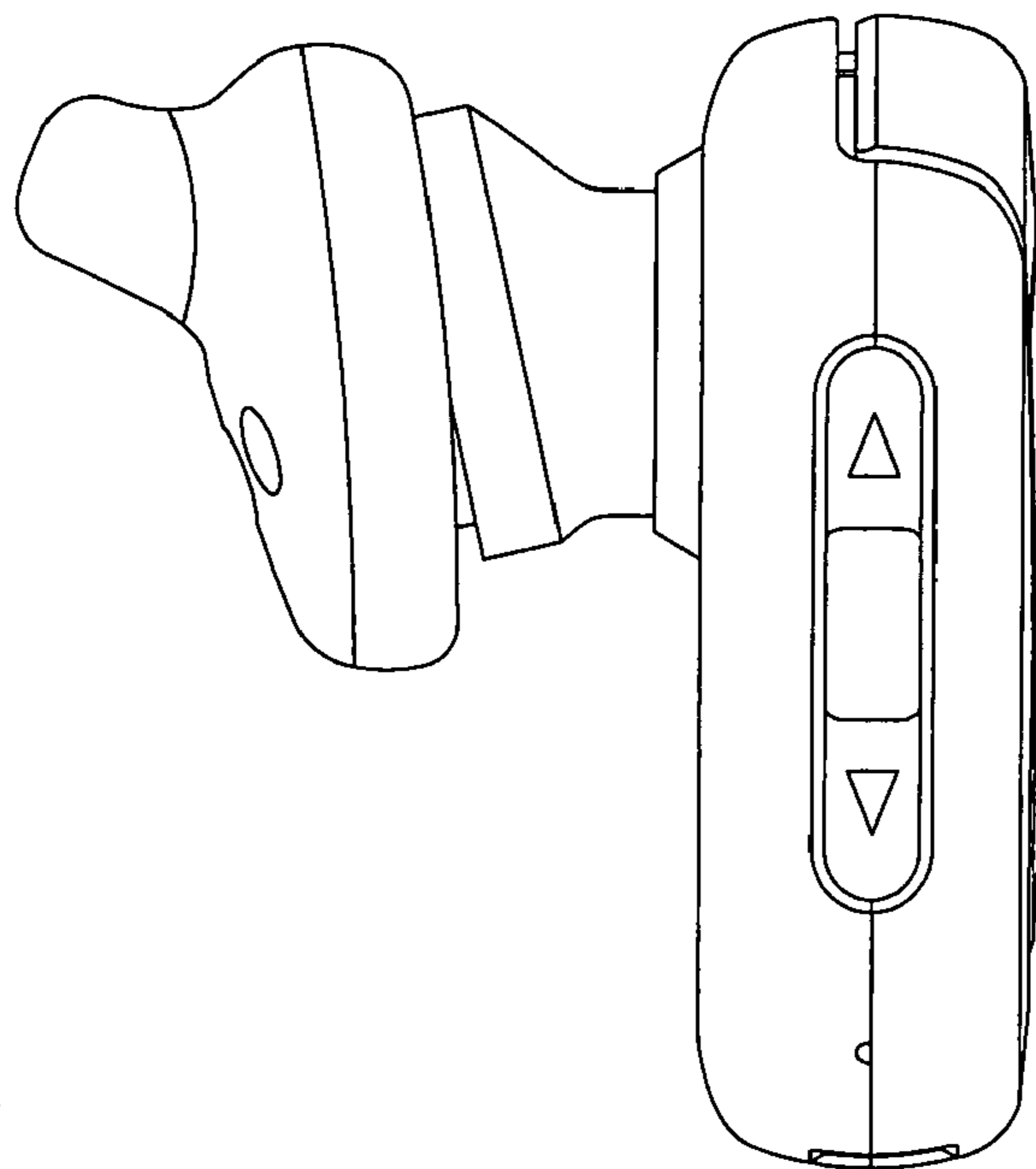


FIG. 5

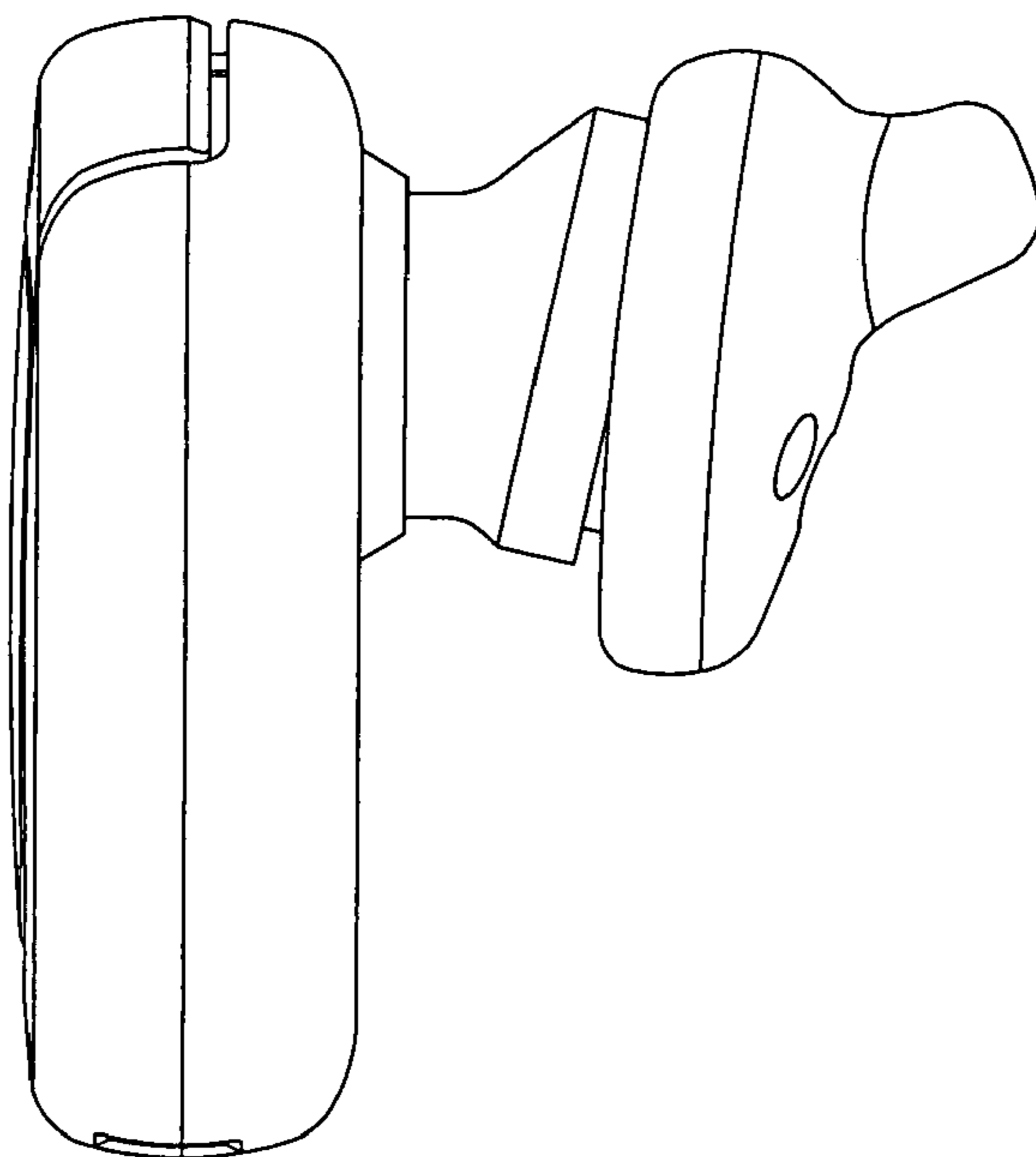


FIG. 6

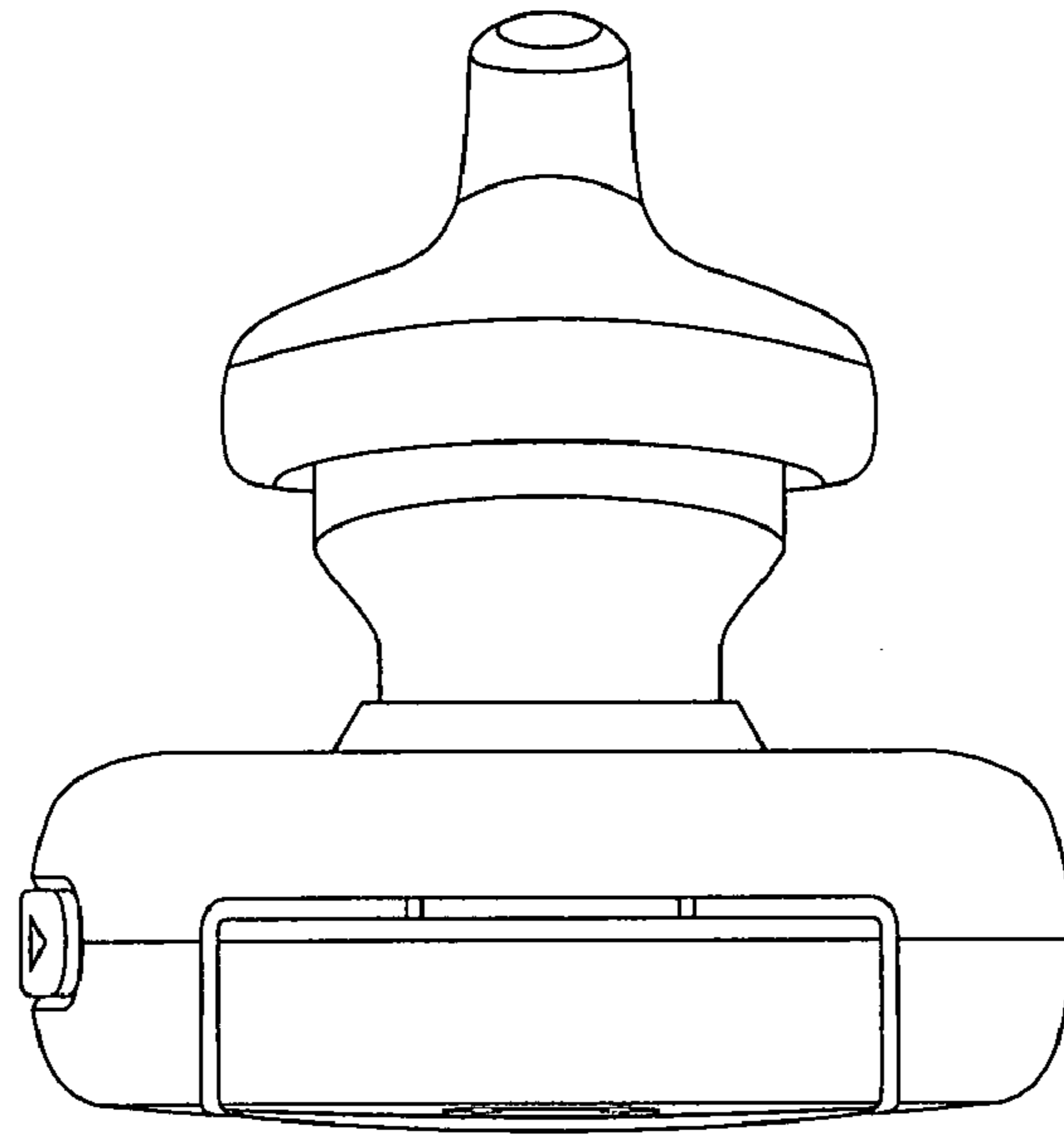


FIG. 7

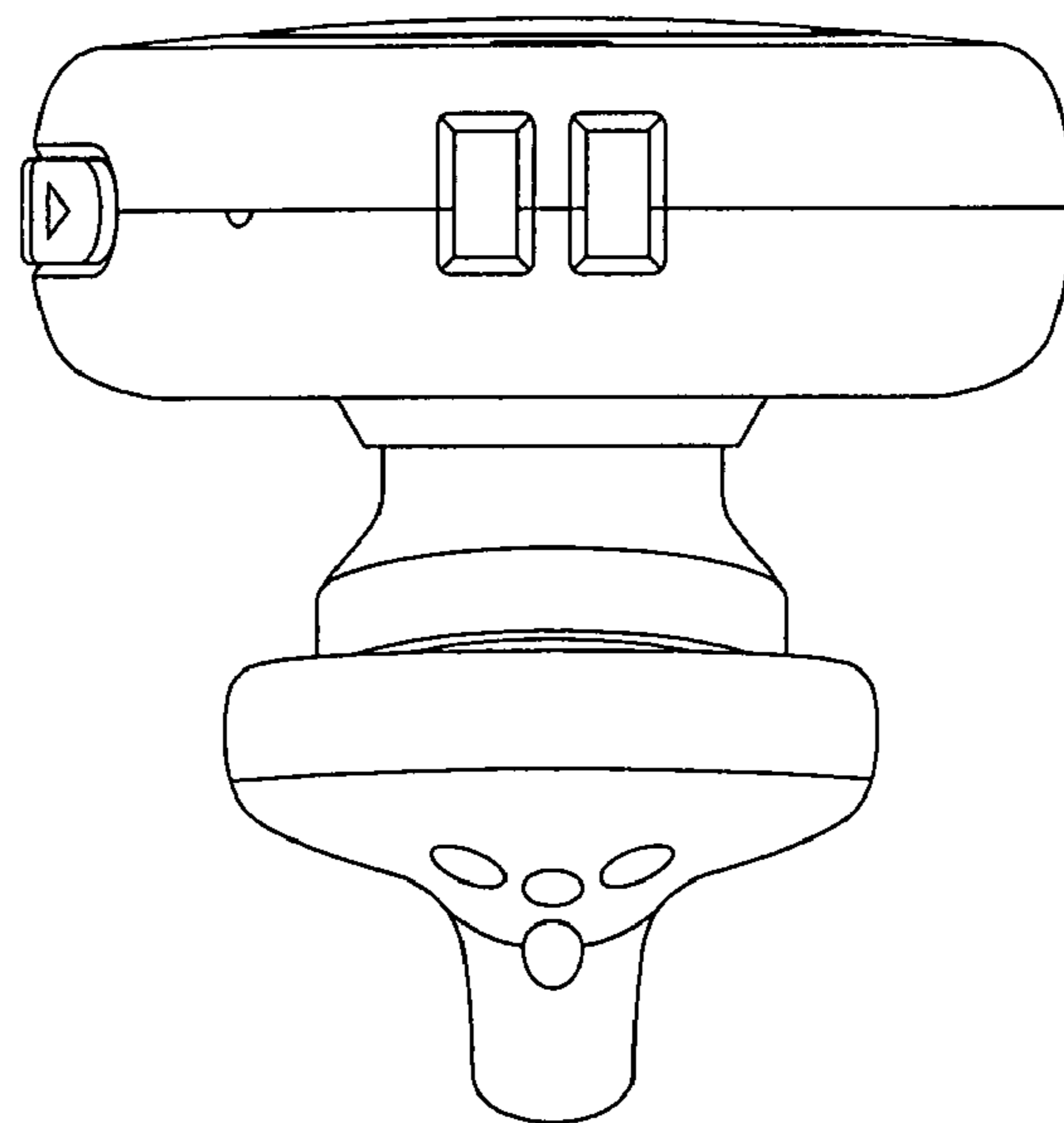


FIG. 8

