



US00D579004S

(12) **United States Design Patent**
Bang et al.

(10) **Patent No.:** **US D579,004 S**
(45) **Date of Patent:** **** Oct. 21, 2008**

(54) **CHARGING CRADLE FOR HANDS FREE
EAR SET OF PORTABLE PHONE**

(75) Inventors: **Yong Seok Bang**, Seoul (KR);
Chang-Soo Lee, Incheon (KR); **Beom
Ku Han**, Seoul (KR)

(73) Assignee: **Samsung Electronics Co., Ltd.**,
Suwon-Si (KR)

(**) Term: **14 Years**

(21) Appl. No.: **29/272,351**

(22) Filed: **Feb. 7, 2007**

(30) **Foreign Application Priority Data**

Sep. 29, 2006 (KR) 30-2006-0040070

(51) **LOC (8) Cl.** **14-01**

(52) **U.S. Cl.** **D14/223; D14/217**

(58) **Field of Classification Search** D14/137-138,
D14/140, 142, 148-149, 205, 206, 223, 224,
D14/217, 221, 229, 240, 251, 252, 253, 155,
D14/214; D13/107-108, 110; 379/454,
379/455, 446; 381/183, 187, 188, 430; 320/110,
320/111, 113, 115; 455/130, 344, 573

See application file for complete search history.

(56) **References Cited**

U.S. PATENT DOCUMENTS

6,891,351 B2 * 5/2005 Chen 320/115
D512,050 S * 11/2005 Verding D14/240

D518,477 S * 4/2006 Chen D14/223
D523,847 S * 6/2006 Naruki D14/217
D537,807 S * 3/2007 Griffin et al. D14/155
D557,693 S * 12/2007 Kim et al. D14/251
D560,208 S * 1/2008 Skurdal D14/214

* cited by examiner

Primary Examiner—Paula A Greene

(74) *Attorney, Agent, or Firm*—Staas & Halsey LLP

(57) **CLAIM**

The ornamental design for a charging cradle for hands free ear set of portable phone, as shown and described.

DESCRIPTION

FIG. 1 is a perspective view of a charging cradle for hands free ear set of portable phone;

FIG. 2 is a front view of the charging cradle for hands free ear set of portable phone of FIG. 1;

FIG. 3 is a rear view of the charging cradle for hands free ear set of portable phone of FIG. 1;

FIG. 4 is a left-side view of the charging cradle for hands free ear set of portable phone of FIG. 1;

FIG. 5 is a right-side view of the charging cradle for hands free ear set of portable phone of FIG. 1;

FIG. 6 is a top plan view of the charging cradle for hands free ear set of portable phone of FIG. 1; and,

FIG. 7 is a bottom plan view of the charging cradle for hands free ear set of portable phone of FIG 1.

1 Claim, 4 Drawing Sheets

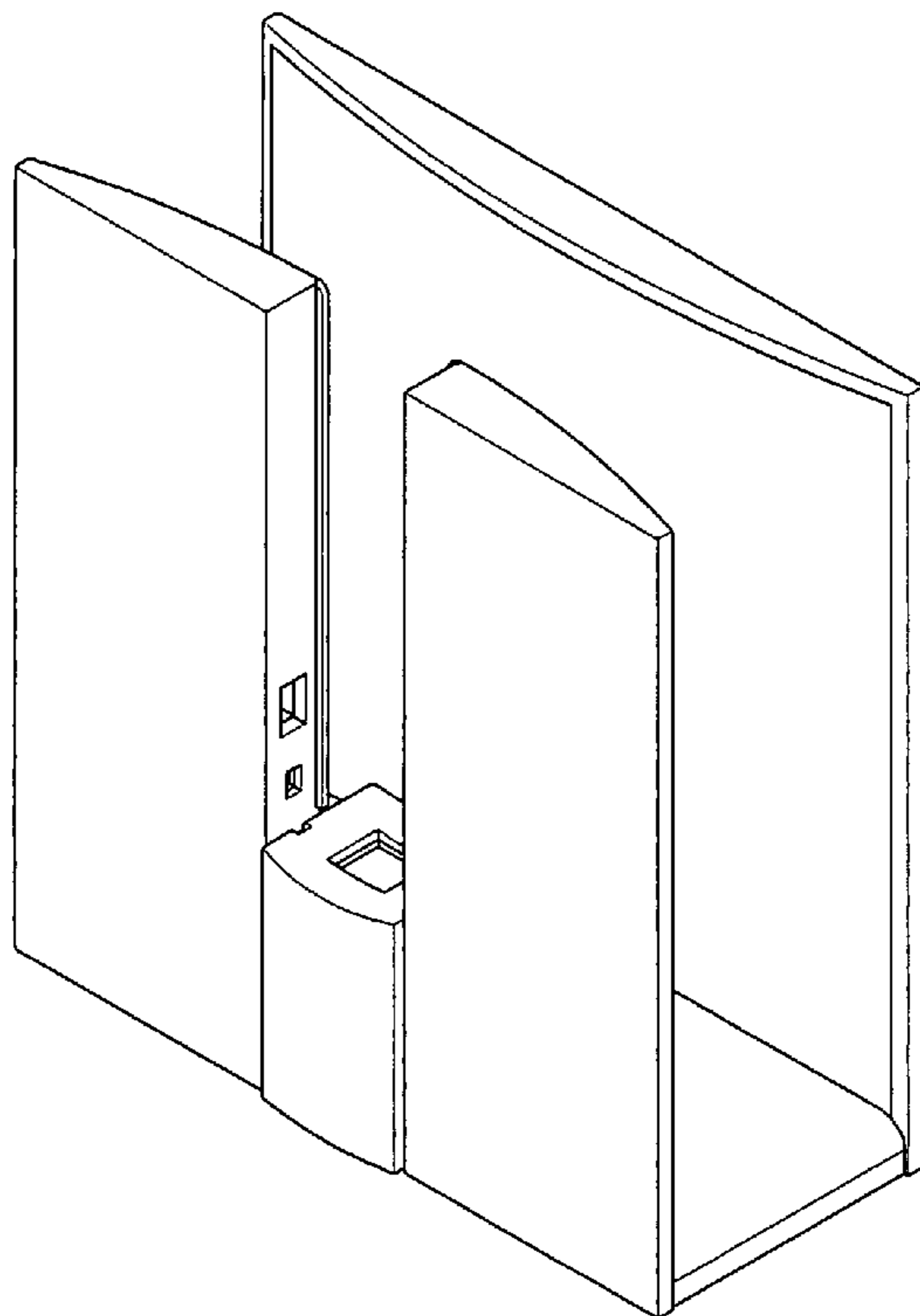


FIG. 1

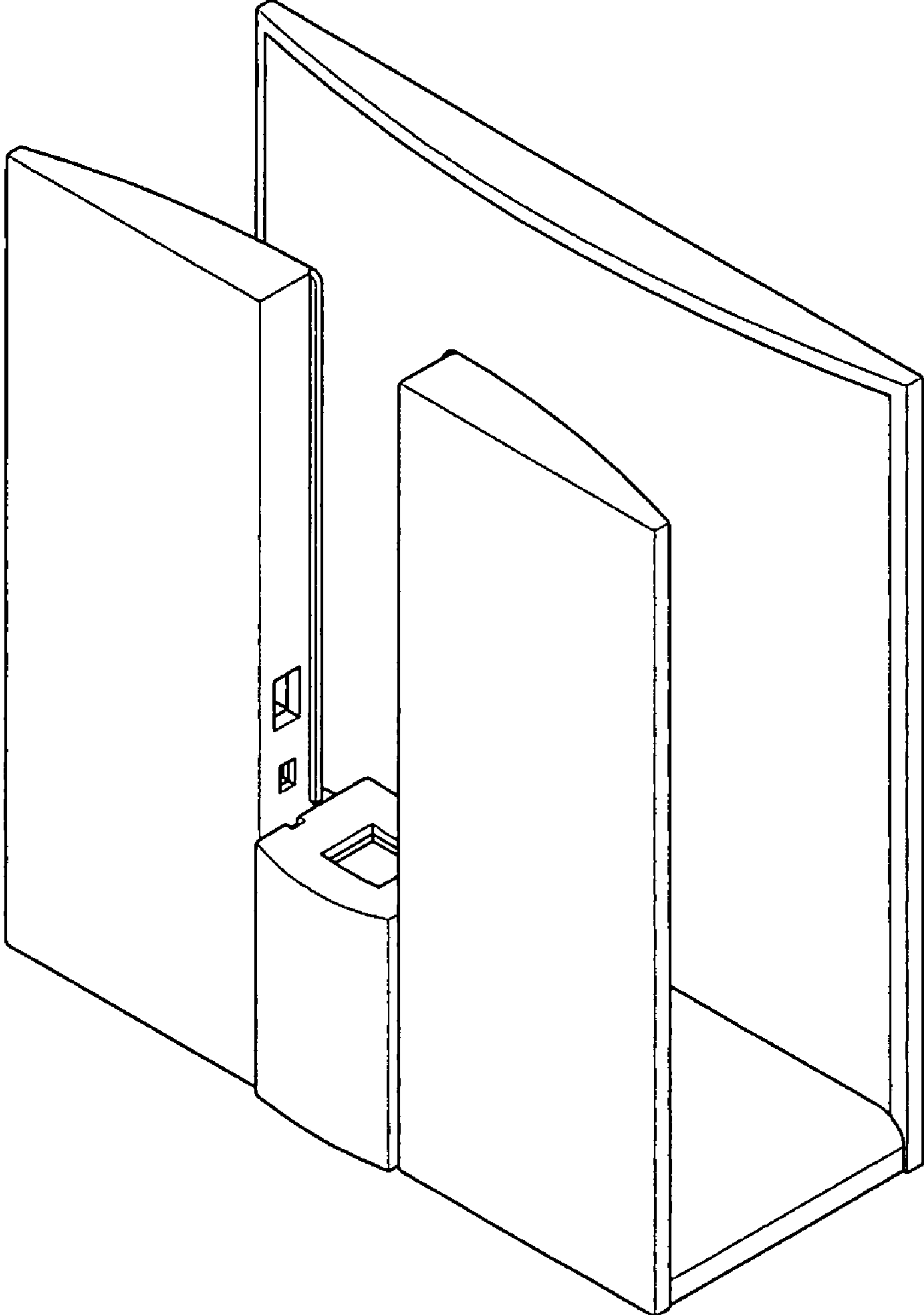


FIG. 2

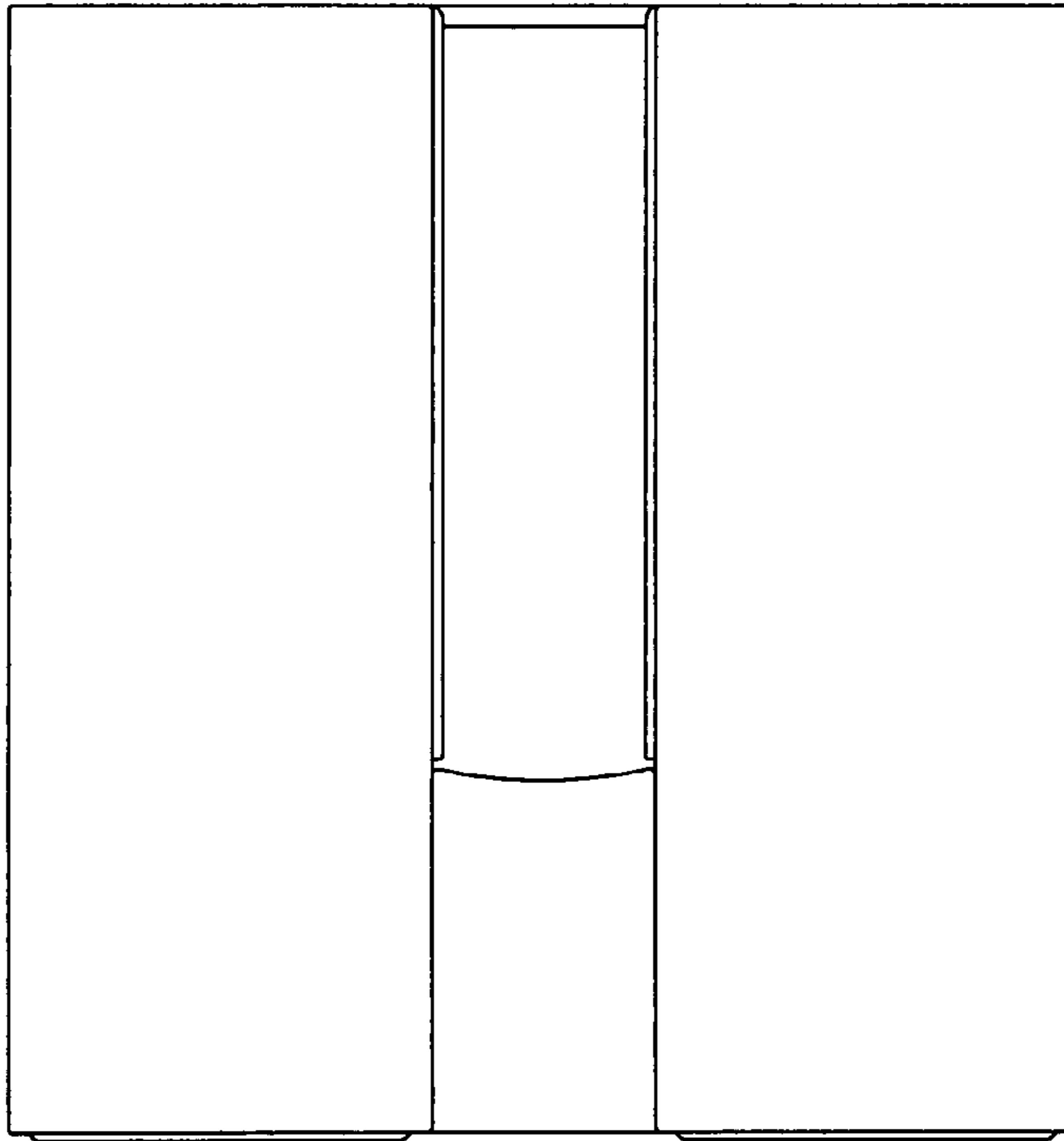


FIG. 3

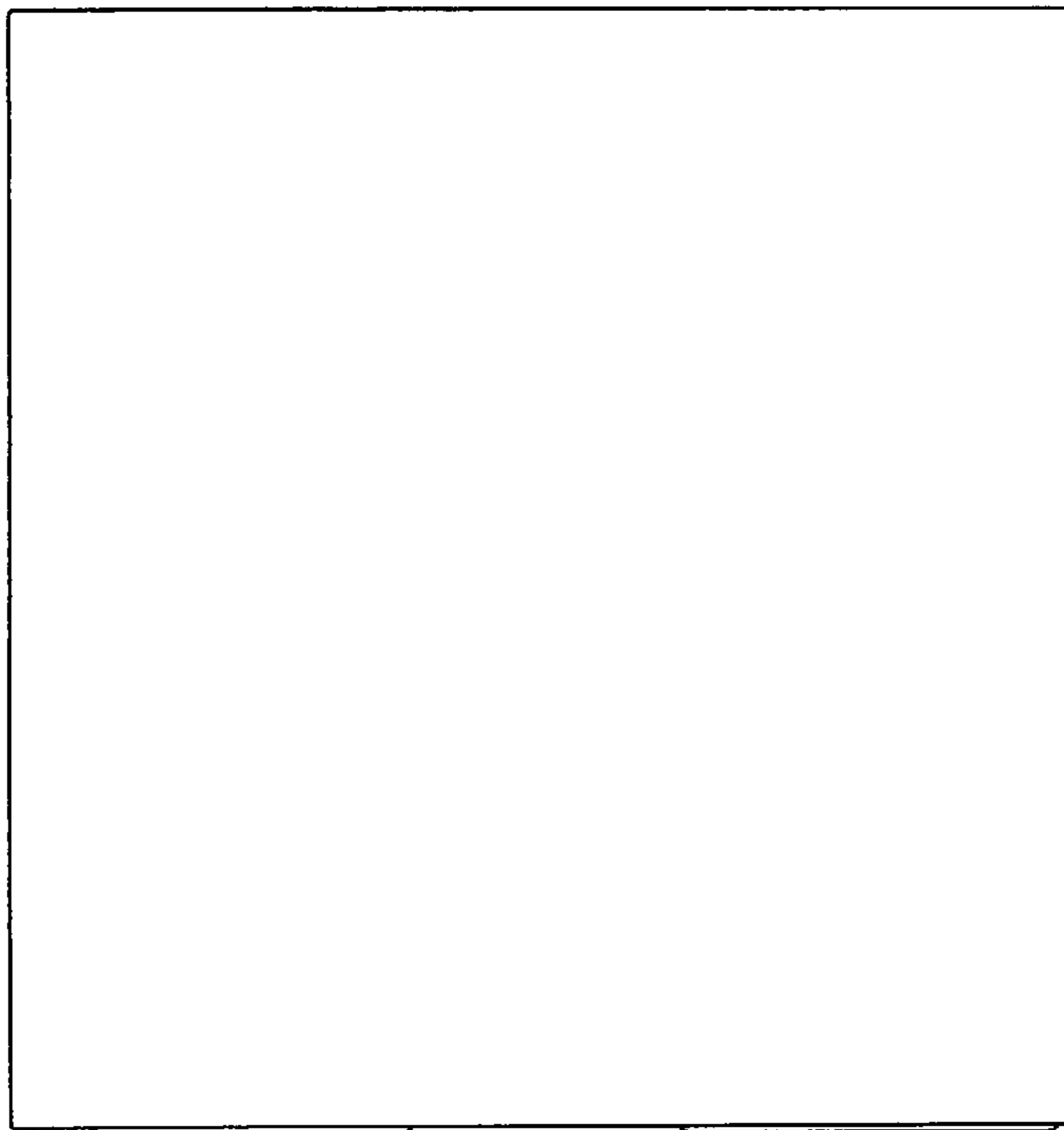


FIG. 4

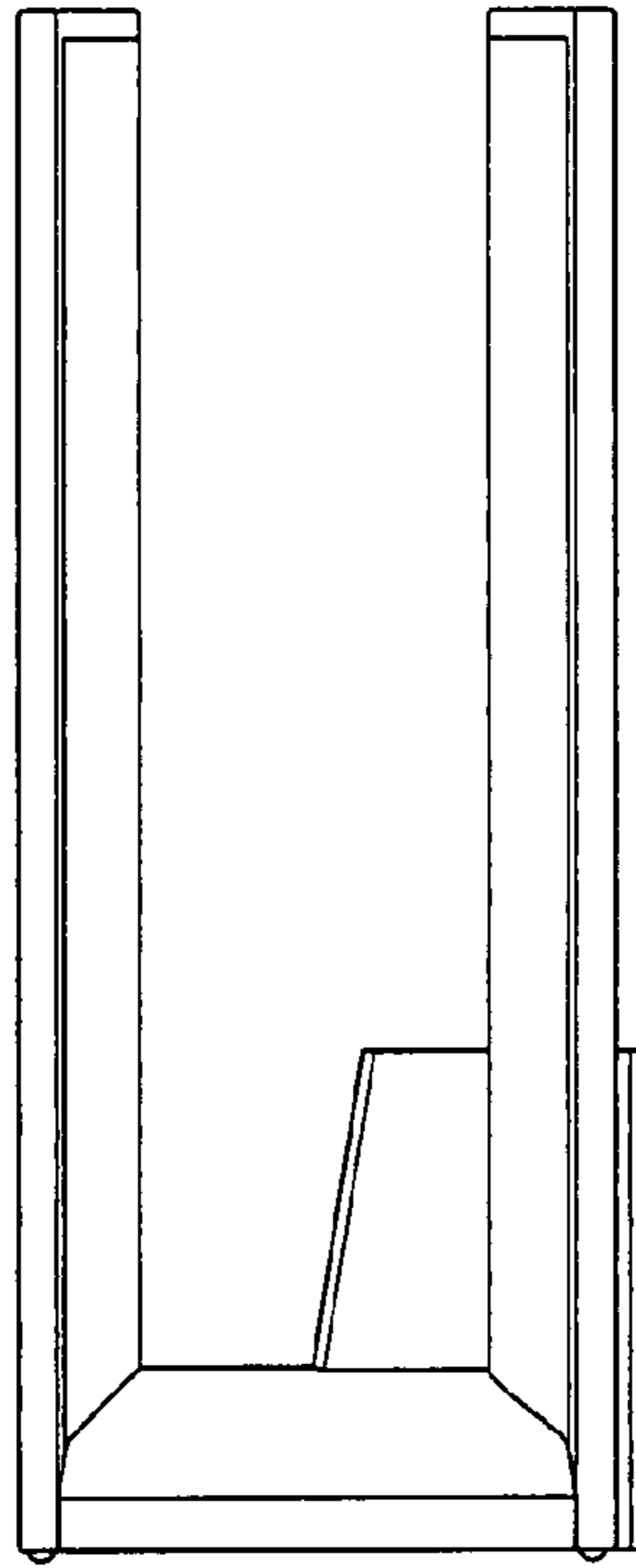


FIG. 5

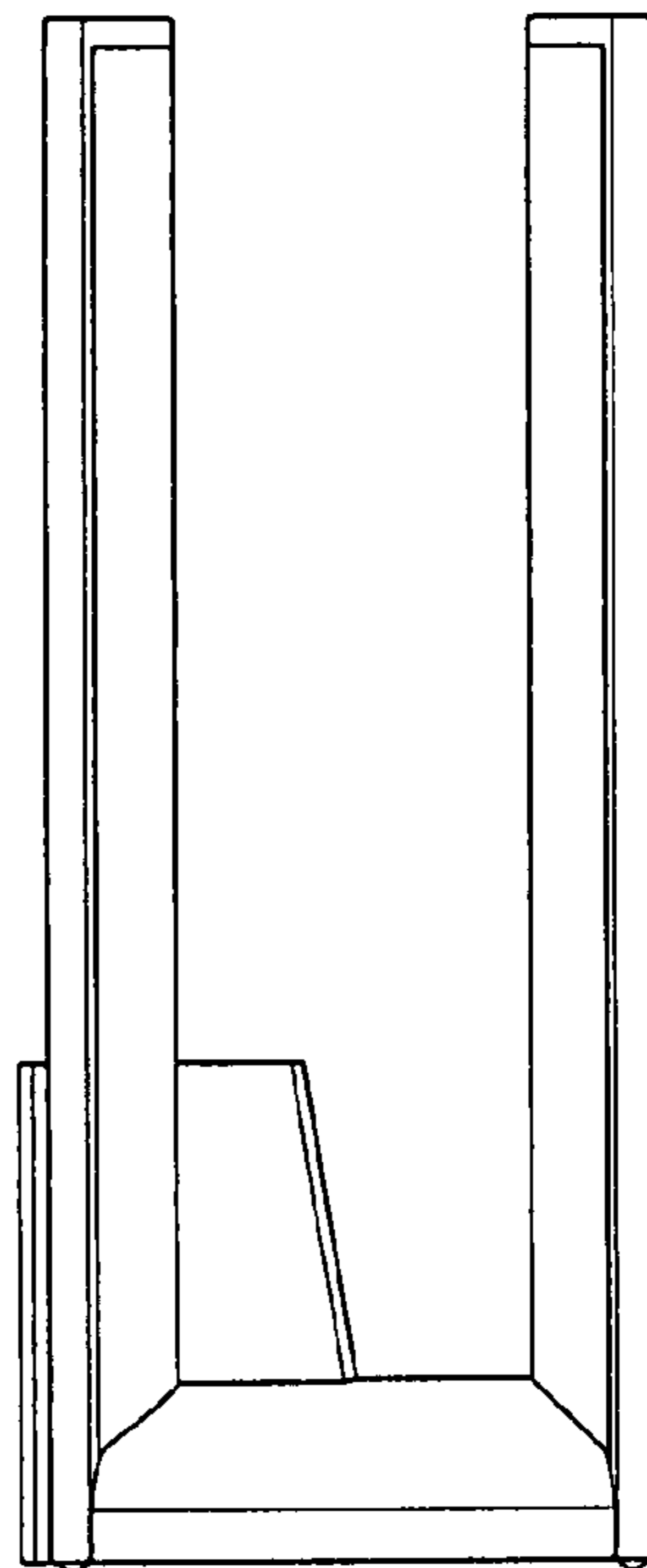


FIG. 6

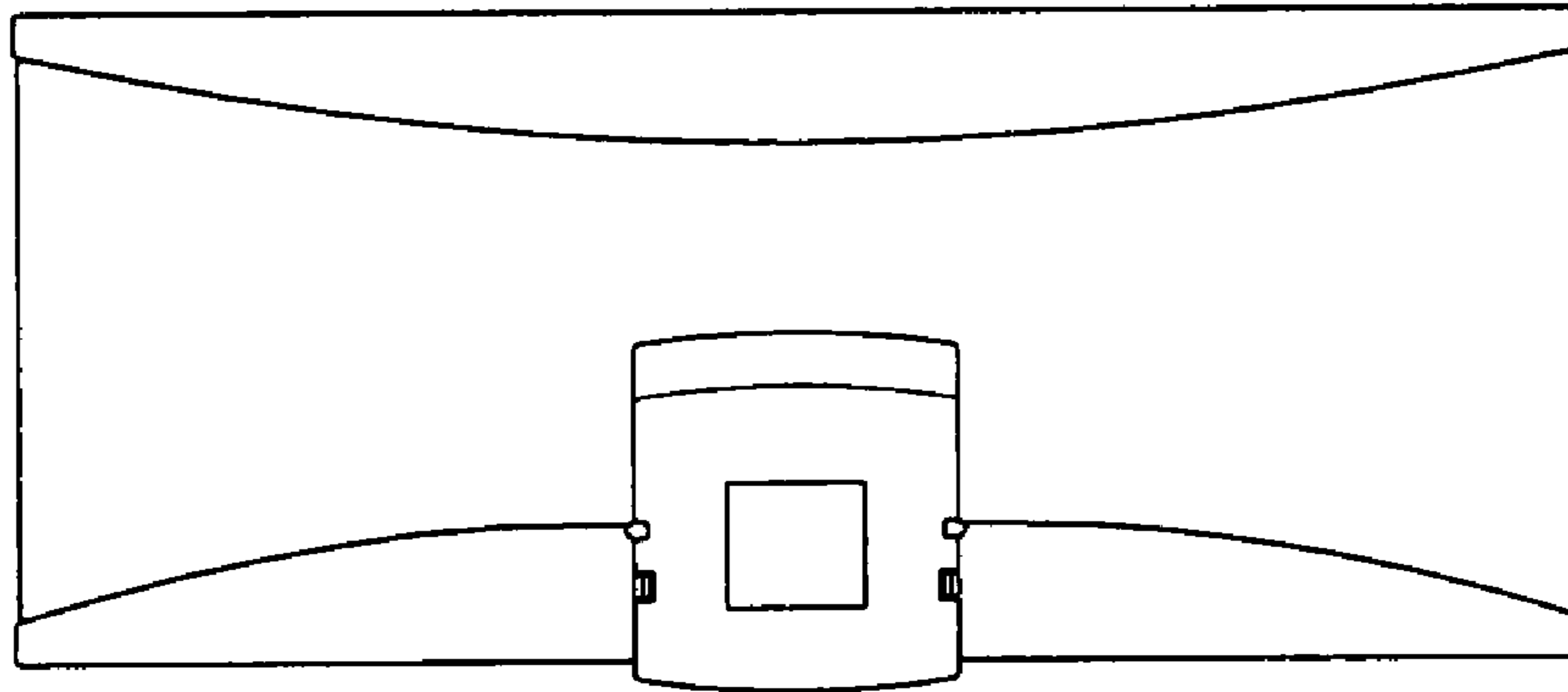


FIG. 7

