



US00D579003S

(12) **United States Design Patent**
Kim et al.

(10) **Patent No.:** **US D579,003 S**
(45) **Date of Patent:** **** Oct. 21, 2008**

(54) **PORTABLE SPEAKER**

(75) Inventors: **Gui-Young Kim**, Seoul (KR);
Hyun-Sook Kim, Seoul (KR)

(73) Assignee: **Samsung Electronics Co., Ltd.**,
Suwon-Si (KR)

(**) Term: **14 Years**

(21) Appl. No.: **29/290,335**

(22) Filed: **Nov. 21, 2007**

(51) **LOC (8) Cl.** **14-01**

(52) **U.S. Cl.** **D14/214**

(58) **Field of Classification Search** D14/204,
D14/209–216; 181/143–144, 147–148, 150,
181/157, 198–199, 151, 153; 381/300–302,
381/306, 333, 345, 361–364, 386–388, 332,
381/336; 348/14.01

See application file for complete search history.

(56) **References Cited**

U.S. PATENT DOCUMENTS

D414,771 S * 10/1999 Hoyt et al. D14/214
D538,265 S * 3/2007 Lee D14/214

D544,465 S * 6/2007 Peersmann D14/214

* cited by examiner

Primary Examiner—Nanda Bondade

(74) *Attorney, Agent, or Firm*—Staas & Halsey LLP

(57) **CLAIM**

The ornamental design for a portable speaker, as shown and described.

DESCRIPTION

FIG. 1 is a perspective view of a portable speaker according to our new design;

FIG. 2 is a front elevational view thereof;

FIG. 3 is a rear elevational view thereof;

FIG. 4 is a left side elevational view thereof;

FIG. 5 is a top plan view thereof;

FIG. 6 is a bottom plan view thereof; and,

FIG. 7 is a reduced perspective view thereof, connected to a cellular phone and another speaker while in use.

The broken line shown in the drawing is for illustrative purposes only and forms no part of the claimed design.

1 Claim, 7 Drawing Sheets

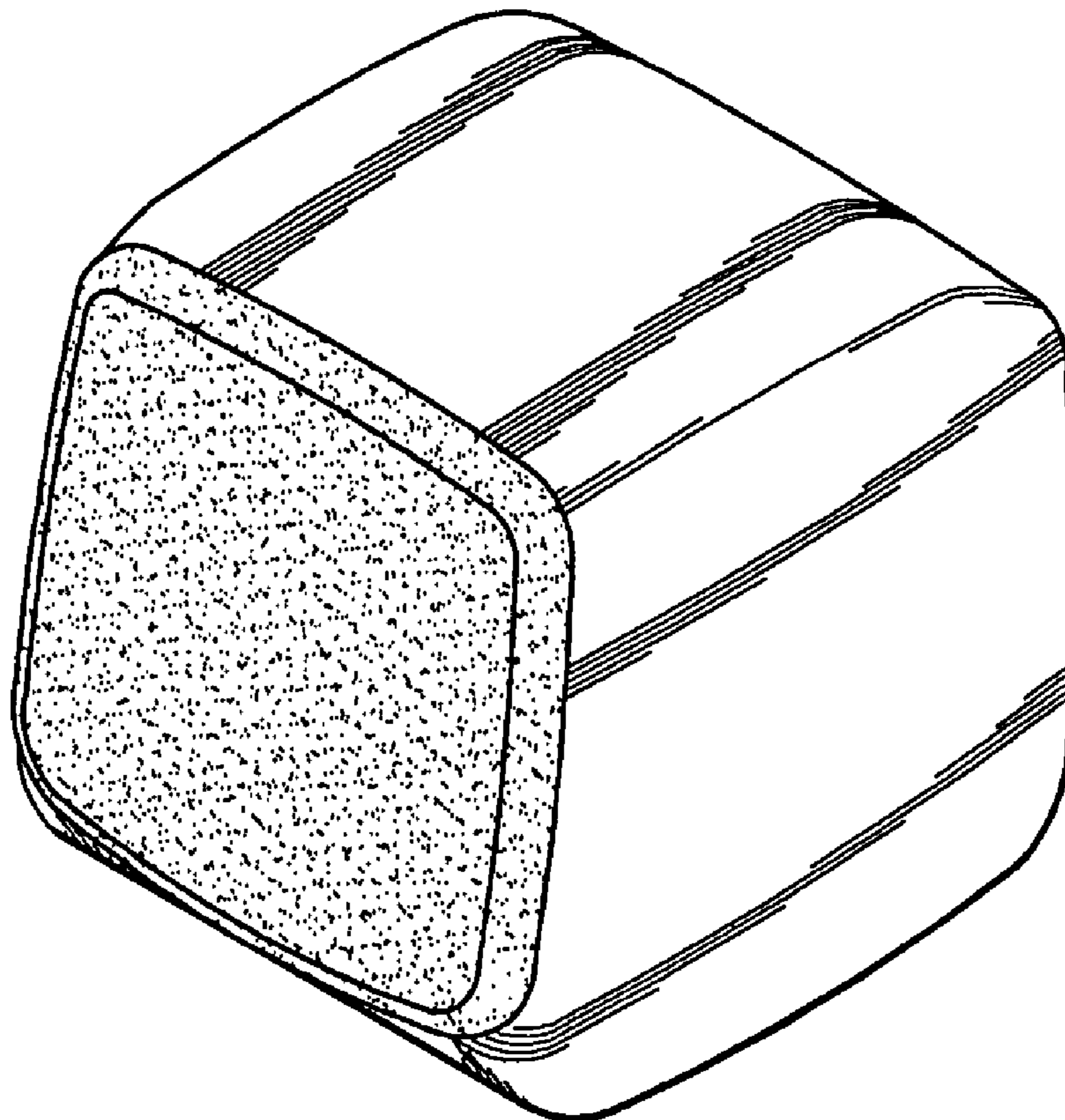


FIG. 1

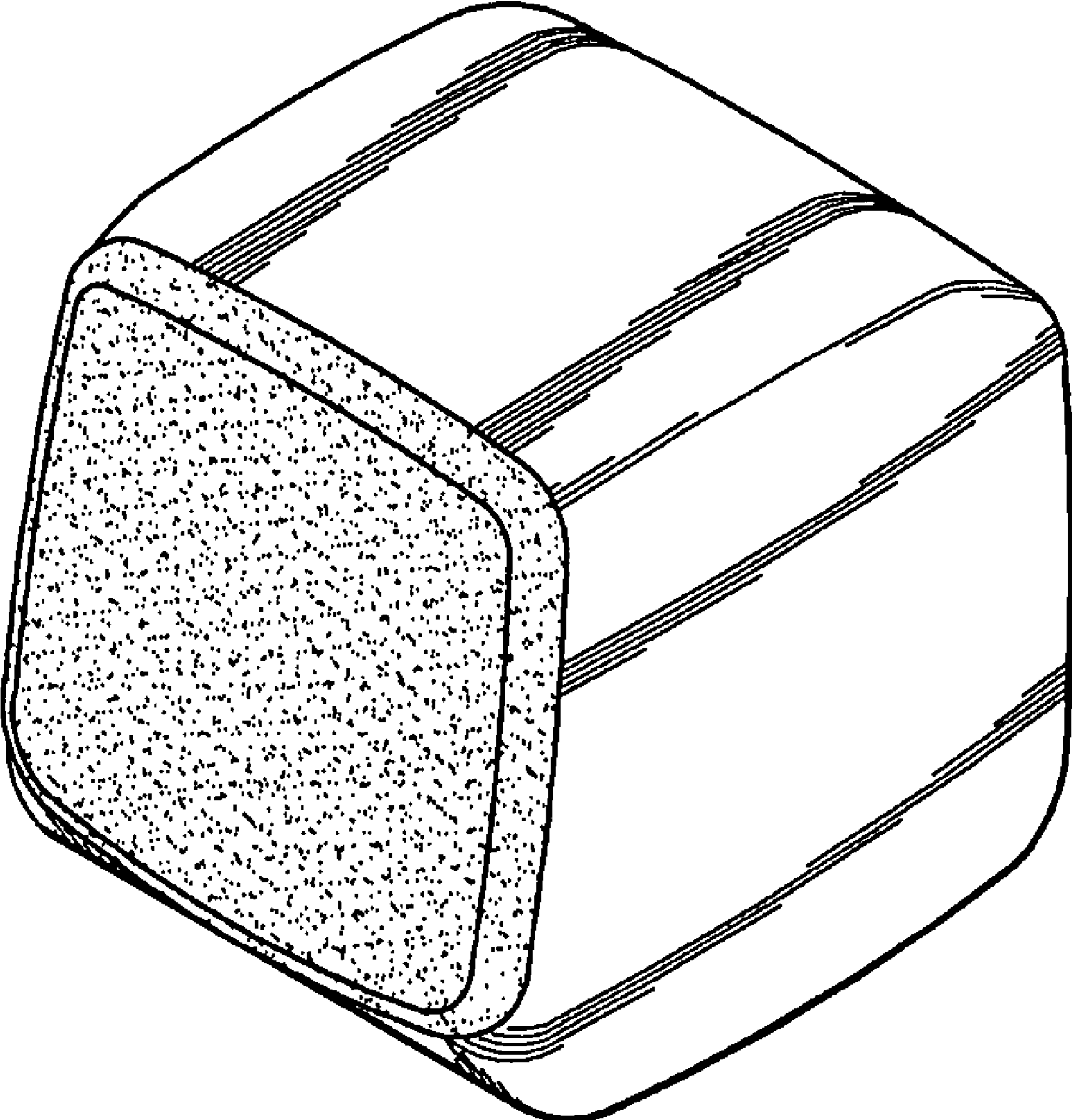


FIG. 2

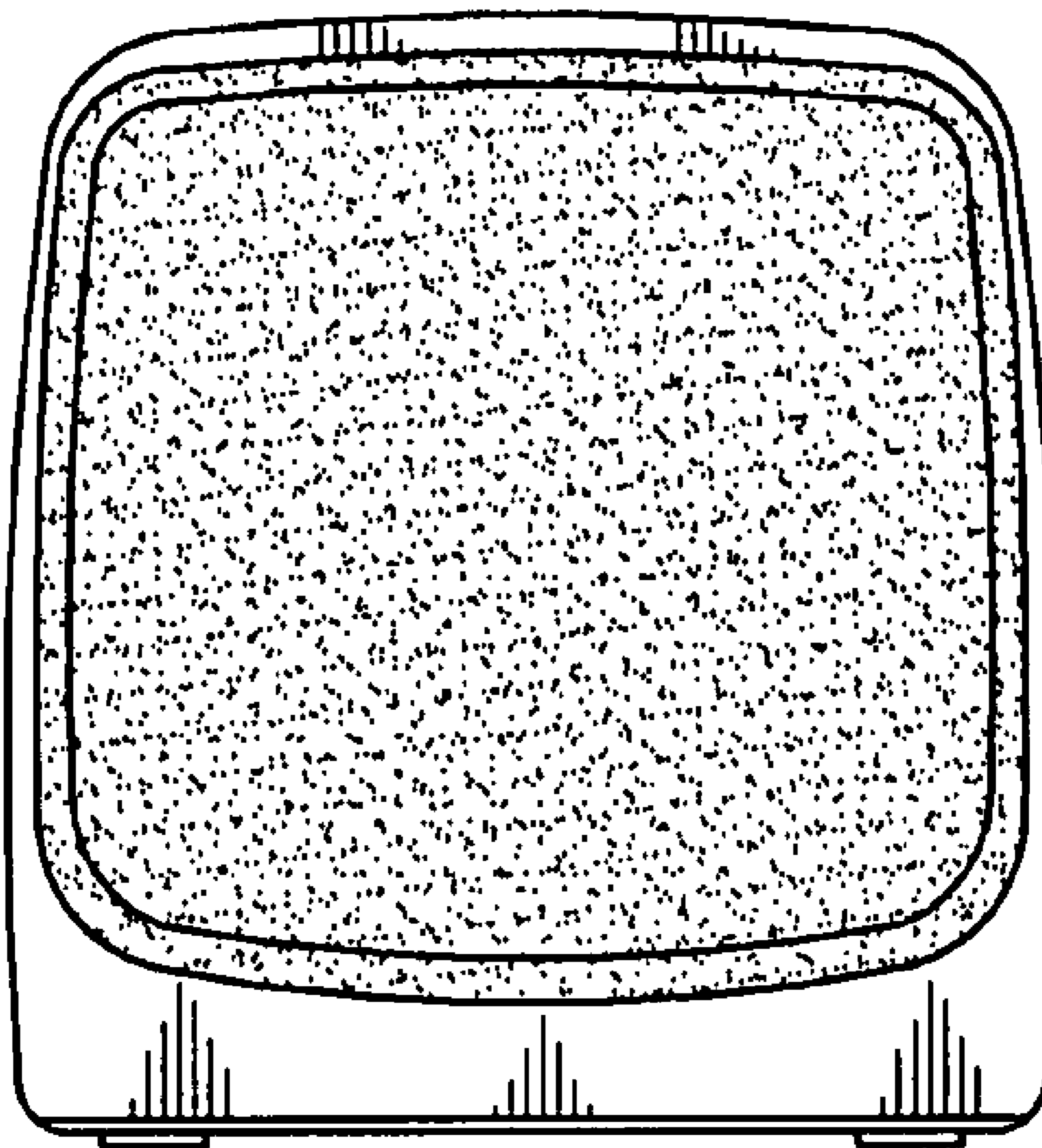


FIG. 3

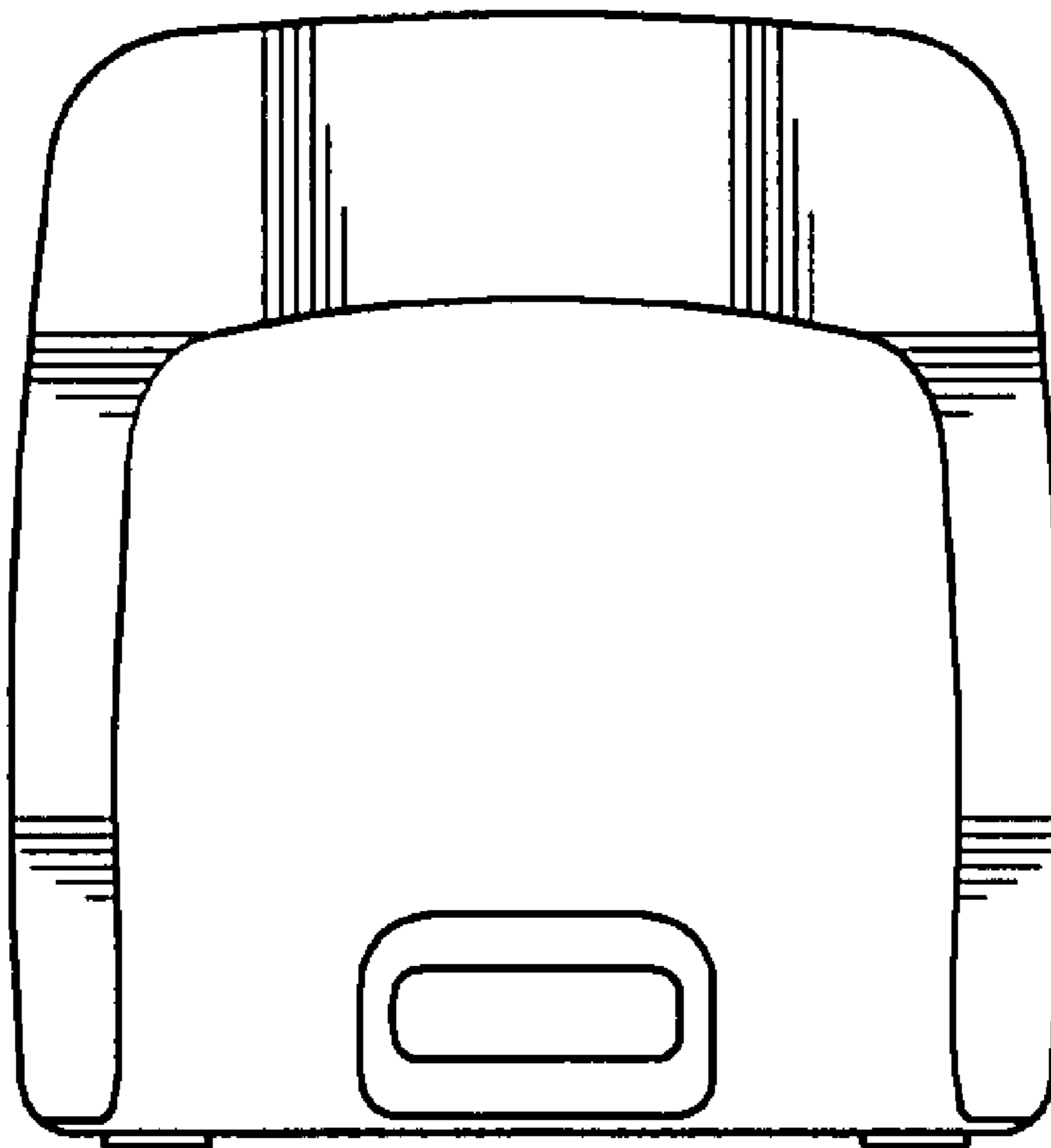


FIG. 4

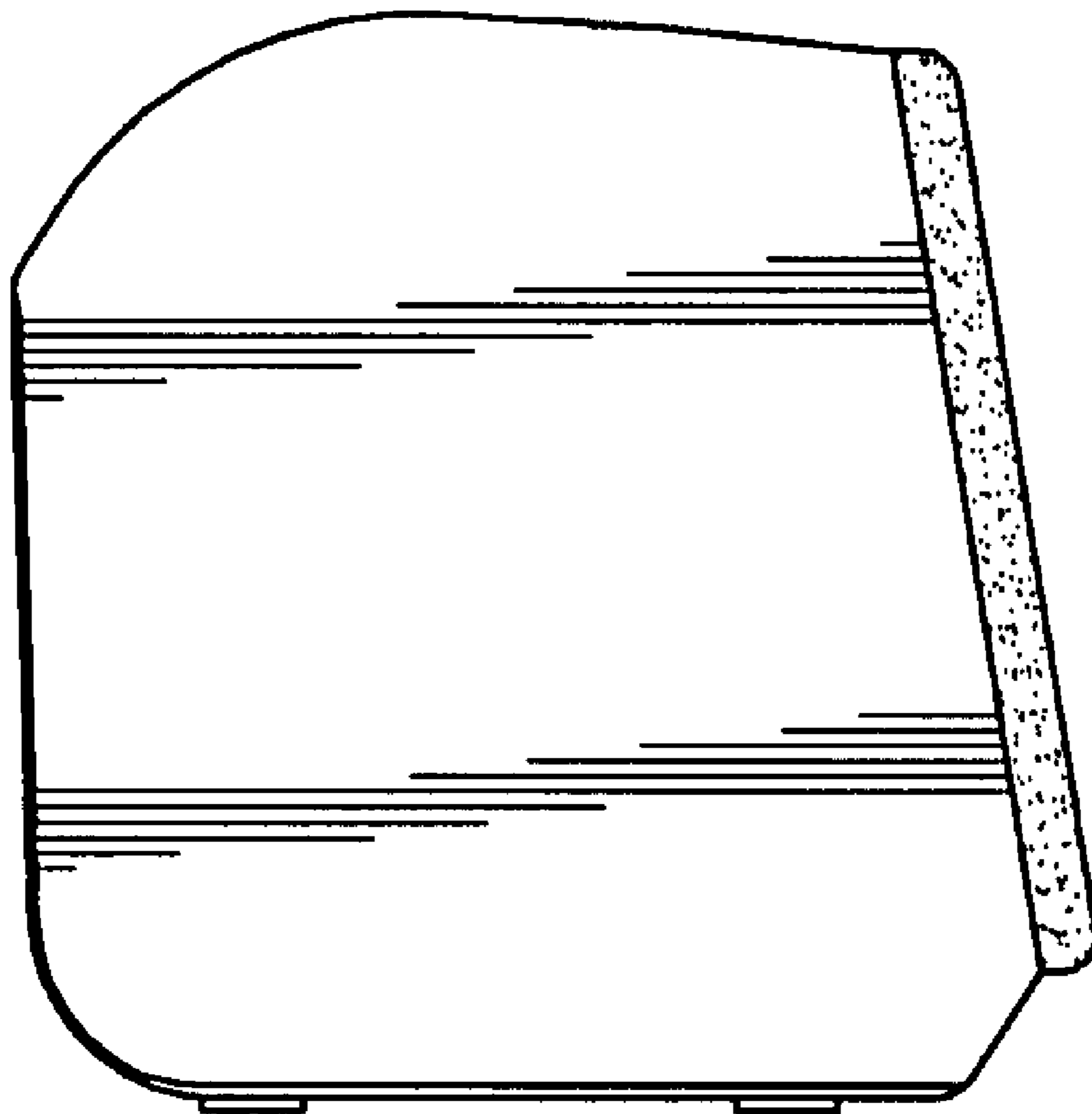


FIG. 5

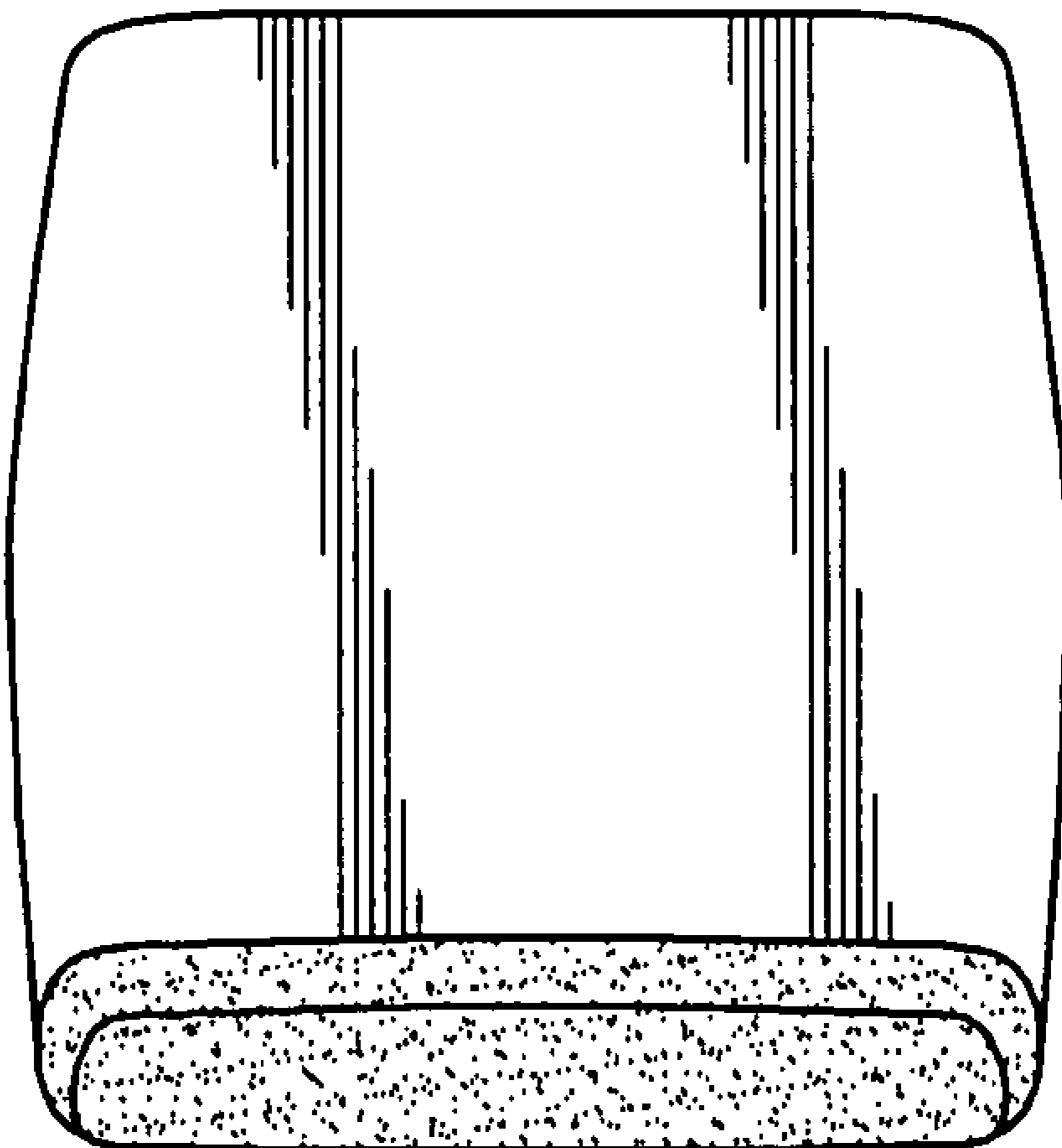


FIG. 6

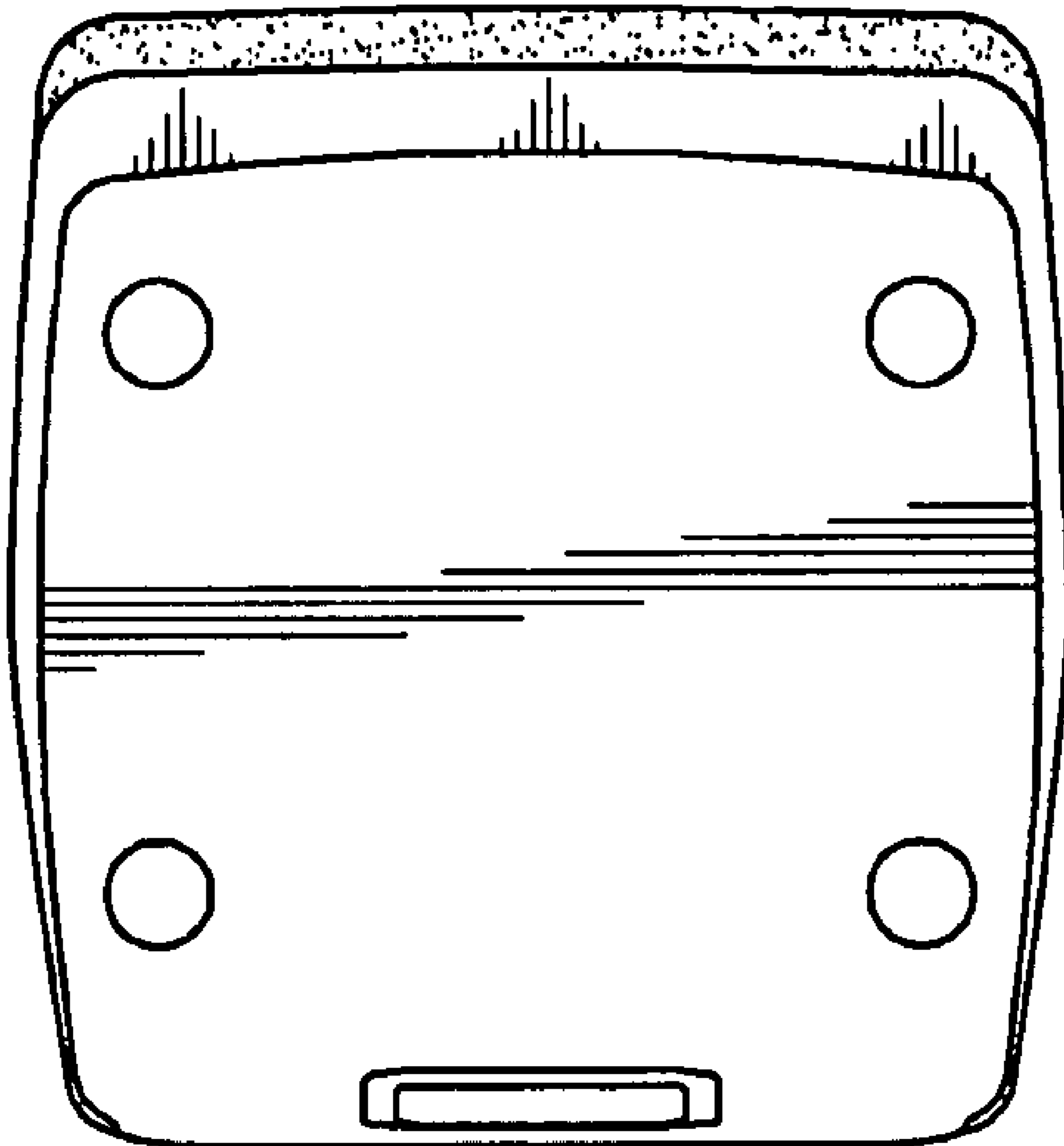


FIG. 7

