



US00D578999S

(12) **United States Design Patent**  
**Yu**

(10) **Patent No.:** **US D578,999 S**  
(45) **Date of Patent:** **\*\* Oct. 21, 2008**

(54) **MULTI-PURPOSE RADIO**

(75) Inventor: **Wing Wah Yu**, Hong Kong (HK)

(73) Assignee: **T C U International Limited**, Hong Kong (HK)

(\*\*) Term: **14 Years**

(21) Appl. No.: **29/278,851**

(22) Filed: **Apr. 12, 2007**

(51) **LOC (8) Cl.** ..... **14-03**

(52) **U.S. Cl.** ..... **D14/196; D14/188; D26/52**

(58) **Field of Classification Search** ..... D14/137,  
D14/155, 162, 167-171, 188, 191-196, 217,  
D14/265, 496; 369/6-12; 370/342-344;  
455/90.1-90.3, 91, 95, 100, 128, 344-355;  
D10/1, 2, 15; D26/37, 38, 50-52, 54  
See application file for complete search history.

(56) **References Cited**

**U.S. PATENT DOCUMENTS**

D376,864 S	*	12/1996	Yuen	.....	D26/50
D383,754 S	*	9/1997	Yuen	.....	D14/168
D387,348 S	*	12/1997	Lam et al.	.....	D14/168
D408,413 S	*	4/1999	Rijkheer	.....	D14/196
D426,659 S	*	6/2000	Lee	.....	D26/38
D438,314 S	*	2/2001	Poon	.....	D26/38
D438,315 S	*	2/2001	Yuen	.....	D26/38
D485,383 S	*	1/2004	Hanselman et al.	.....	D26/38

D513,246 S	*	12/2005	Yim	.....	D14/168
D523,838 S	*	6/2006	Lee	.....	D14/168
D540,299 S	*	4/2007	Tragatschnig	.....	D14/188
D548,721 S	*	8/2007	Lee	.....	D14/188
2005/0111218 A1	*	5/2005	Lee	.....	362/192

\* cited by examiner

*Primary Examiner*—Stella M. Reid

*Assistant Examiner*—Keli L Acker

(57) **CLAIM**

The ornamental design for a multi-purpose radio, as shown and described.

**DESCRIPTION**

FIG. 1 is a front elevational view of a multi-purpose radio showing my new design;

FIG. 2 is a rear elevational view thereof;

FIG. 3 is a right side view thereof;

FIG. 4 is a left side view thereof;

FIG. 5 is a top plan view thereof;

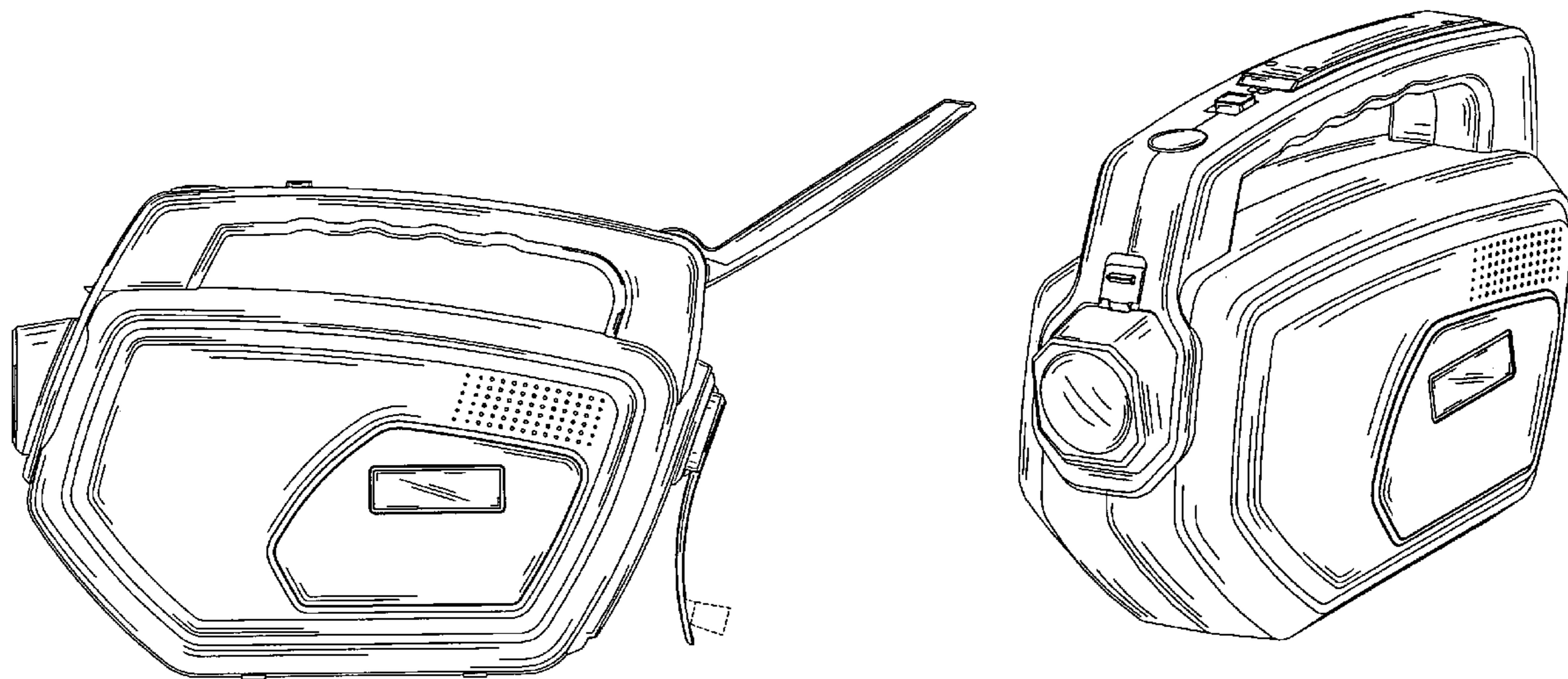
FIG. 6 is a bottom plan view thereof;

FIG. 7 is an front elevational view thereof with portions shown in an alternate position; and,

FIG. 8 is a perspective view thereof.

The broken lines shown in FIG. 7 form no part of the claimed design.

**1 Claim, 4 Drawing Sheets**



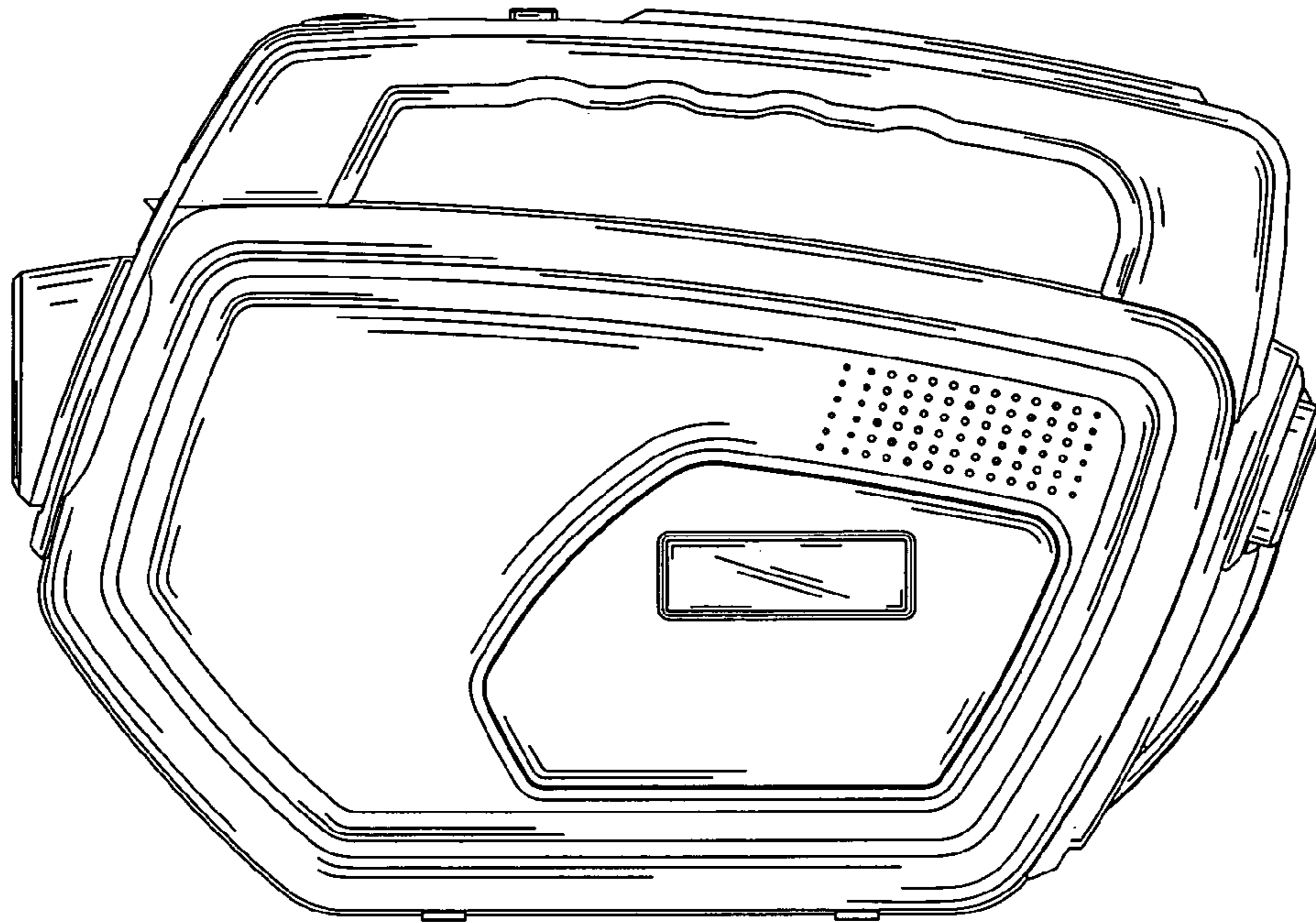


FIG. 1

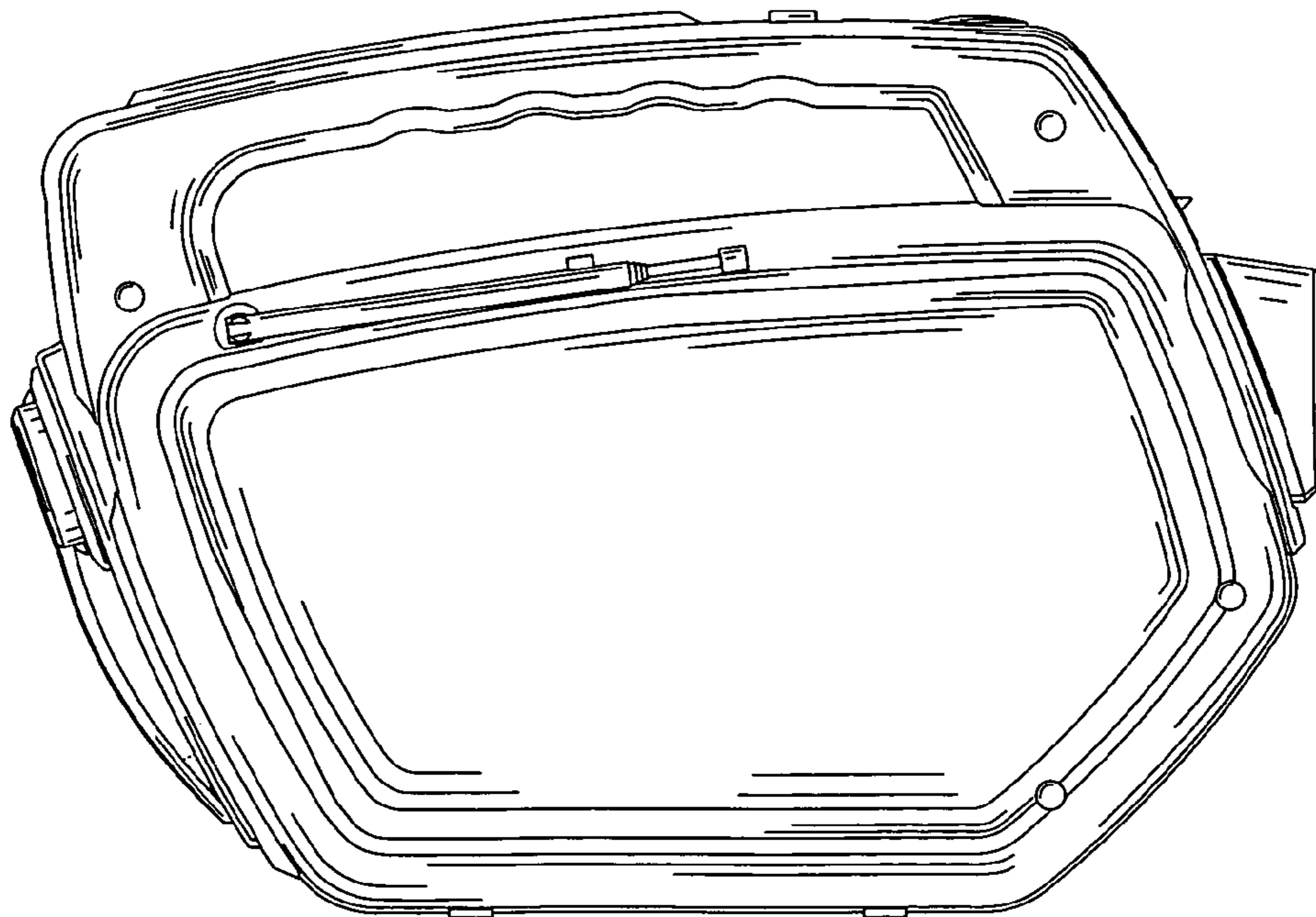


FIG. 2

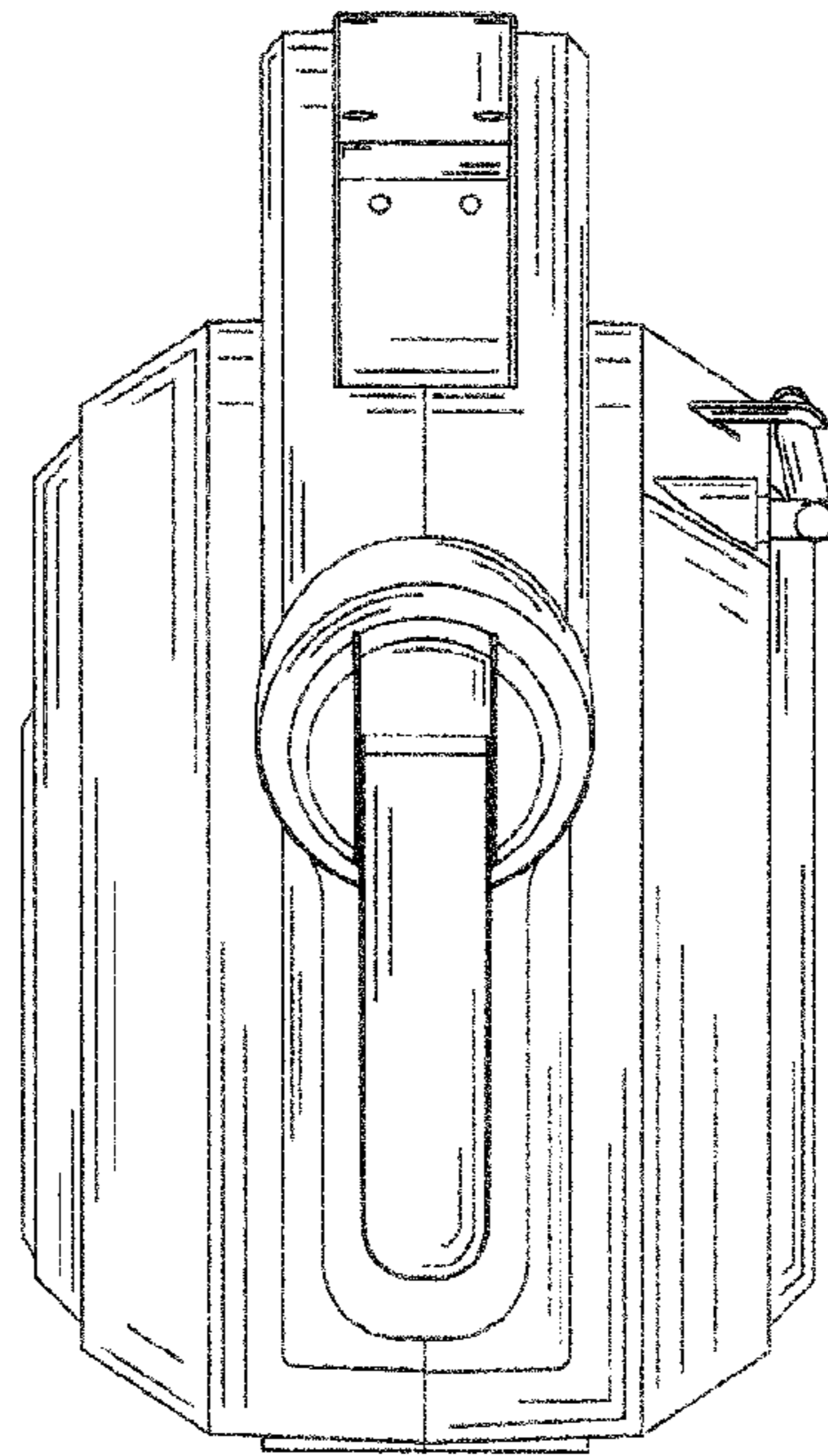


FIG. 3

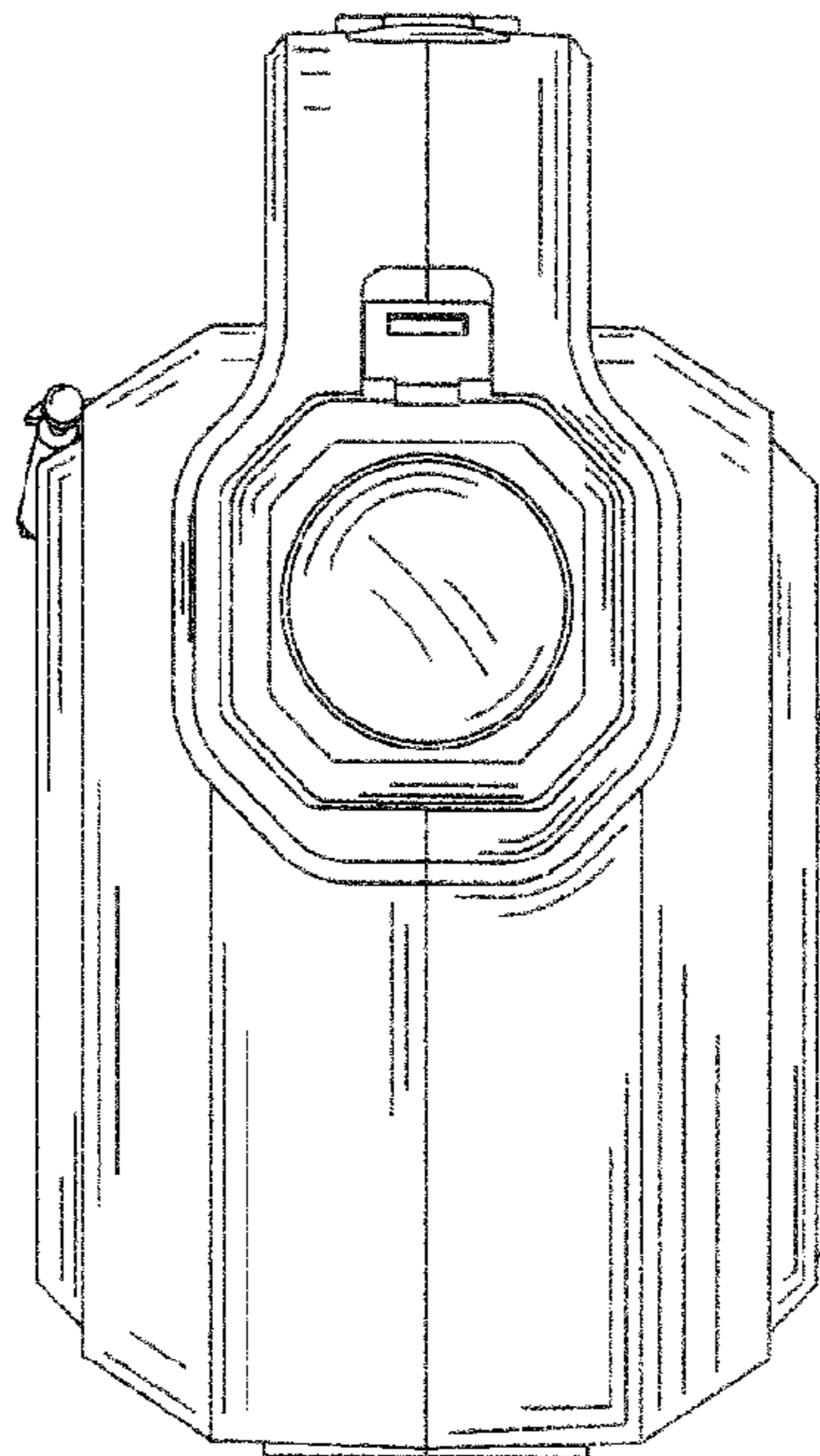


FIG. 4

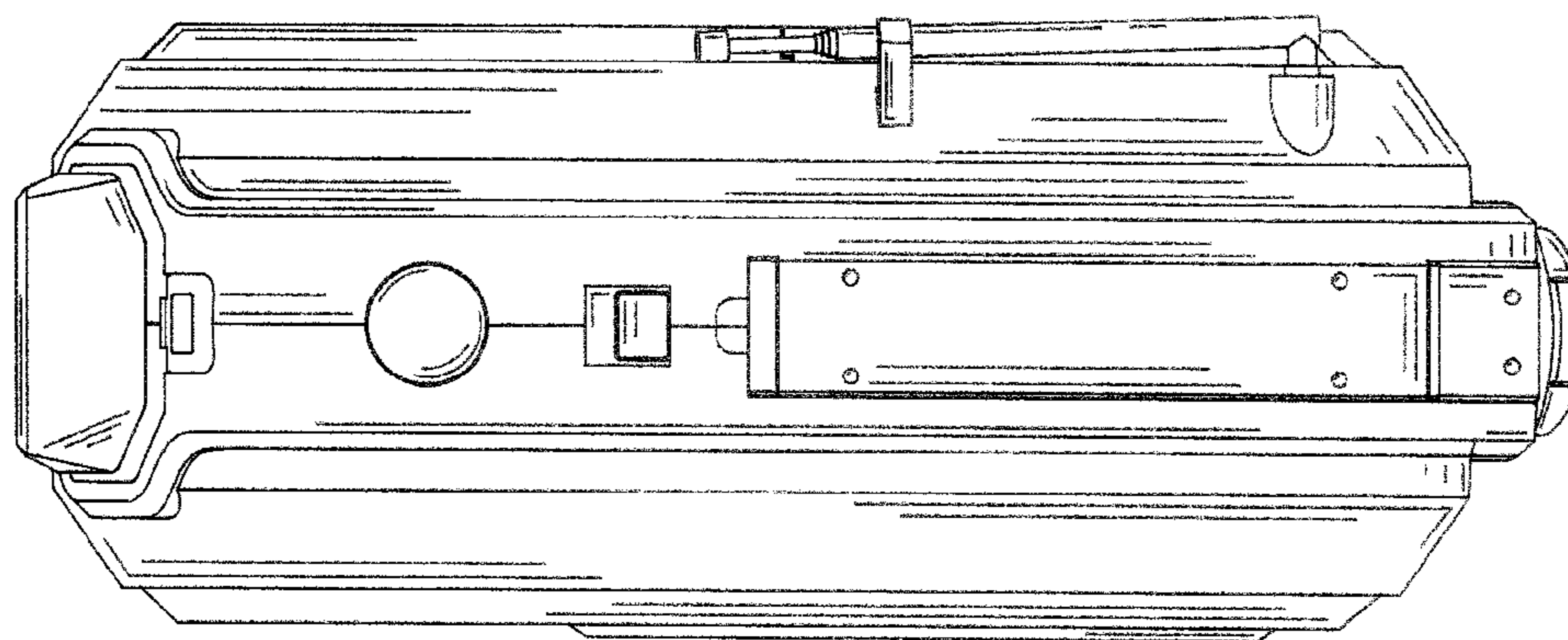


FIG. 5

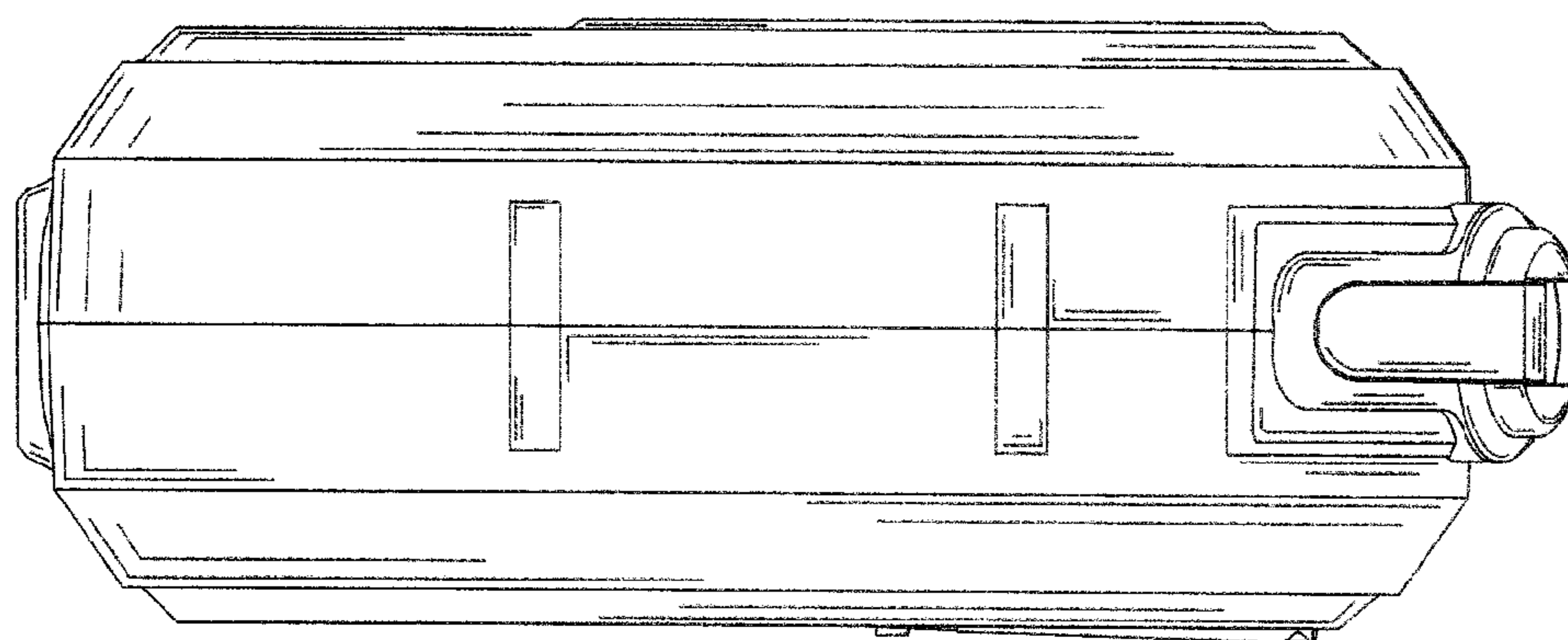


FIG. 6

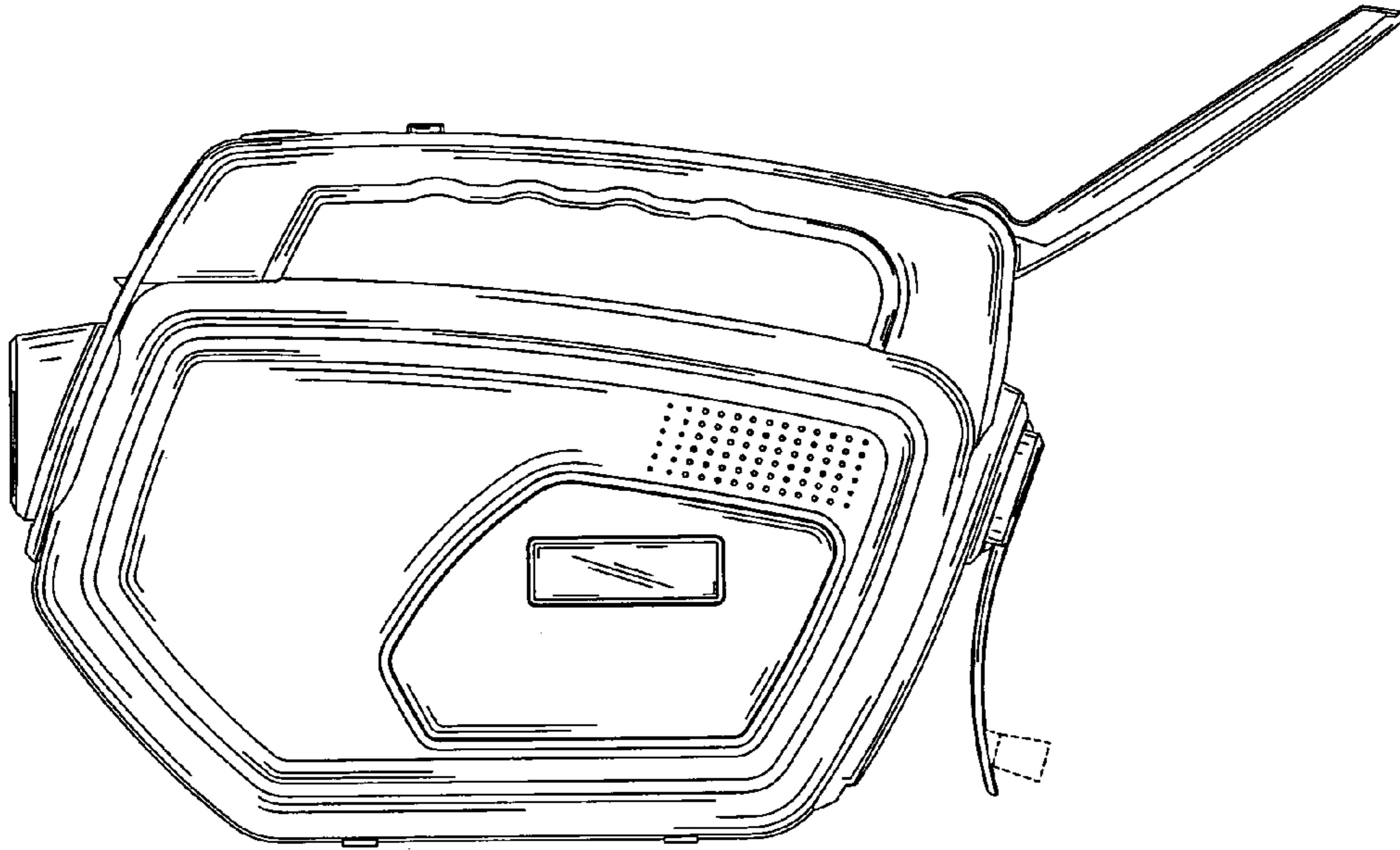


FIG. 7

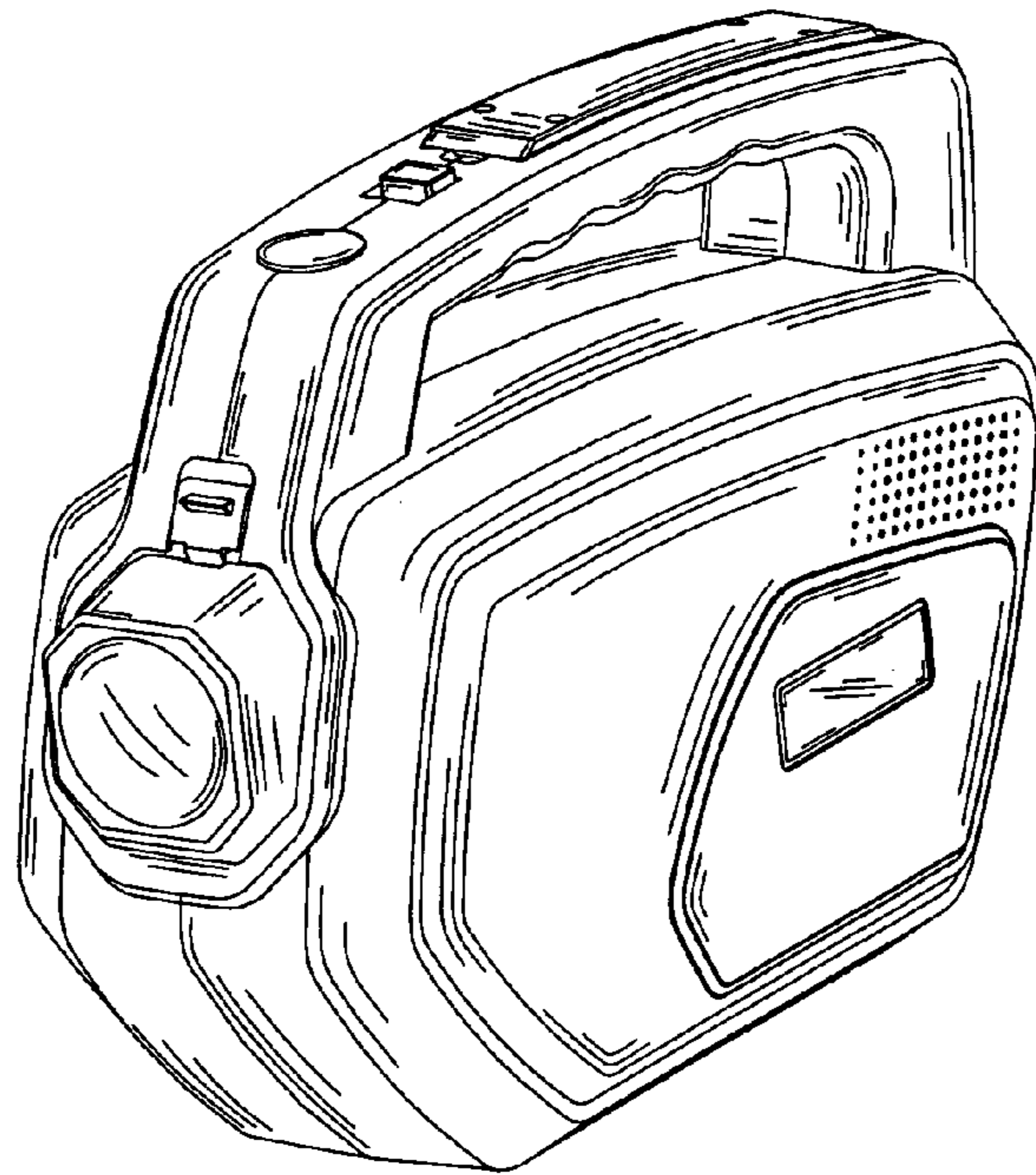


FIG. 8