



US00D578997S

(12) **United States Design Patent**
Takuma

(10) **Patent No.:** **US D578,997 S**
(45) **Date of Patent:** **** Oct. 21, 2008**

(54) **COMBINED SPEAKER BOX AND AMPLIFIER**

D540,305 S * 4/2007 Han D14/211
D540,310 S 4/2007 Yuyama
D547,748 S 7/2007 Tsuge

(75) Inventor: **Tomoaki Takuma**, Tokyo (JP)

(73) Assignee: **Sony Corporation**, Tokyo (JP)

(**) Term: **14 Years**

(21) Appl. No.: **29/290,499**

(22) Filed: **Dec. 11, 2007**

(30) **Foreign Application Priority Data**

Aug. 28, 2007 (JP) D2007-023204

(51) **LOC (8) Cl.** **14-01**

(52) **U.S. Cl.** **D14/172; D14/214**

(58) **Field of Classification Search** D14/204,
D14/209-216, 168, 188, 172; 181/143-144,
181/147-148, 150, 157, 198-199, 151, 153;
381/300-302, 306, 333, 345, 361-364, 386-388,
381/332, 336; 348/14.01

See application file for complete search history.

(56) **References Cited**

U.S. PATENT DOCUMENTS

D372,918 S * 8/1996 Manganese et al. D14/204
D472,542 S 4/2003 Oikawa
D478,891 S 8/2003 Hisatsune
D503,168 S 3/2005 Hisatsune
D520,494 S * 5/2006 Aiba et al. D14/214
D532,408 S * 11/2006 Kita D14/214

FOREIGN PATENT DOCUMENTS

EM D000436092-0002 S 1/2006
EM D000436092-0003 S 1/2006
JP D1146828 S 7/2002
JP D1292066 S 1/2007
JP D1299991 S 5/2007

* cited by examiner

Primary Examiner—Nanda Bondade

(74) *Attorney, Agent, or Firm*—Rader, Fishman & Grauer, PLLC

(57) **CLAIM**

The ornamental design for a combined speaker box and amplifier, as shown.

DESCRIPTION

FIG. 1 is a perspective view of a combined speaker box and amplifier showing my new design;

FIG. 2 is a front elevational view thereof;

FIG. 3 is a rear elevational view thereof;

FIG. 4 is a left side elevational view thereof;

FIG. 5 is a right side elevational view thereof;

FIG. 6 is a top plan view thereof; and,

FIG. 7 is a bottom plan view thereof.

1 Claim, 7 Drawing Sheets

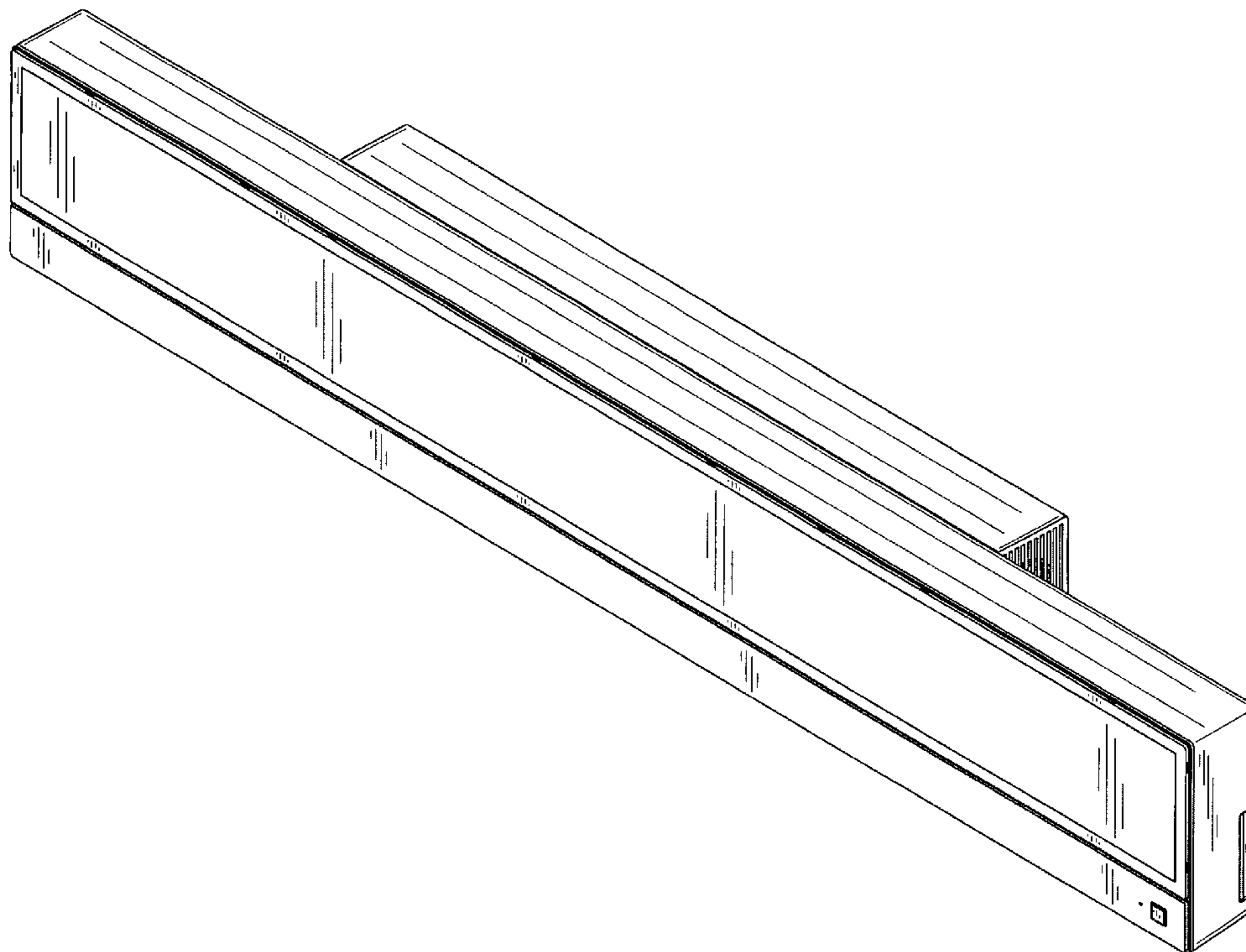


Fig.1

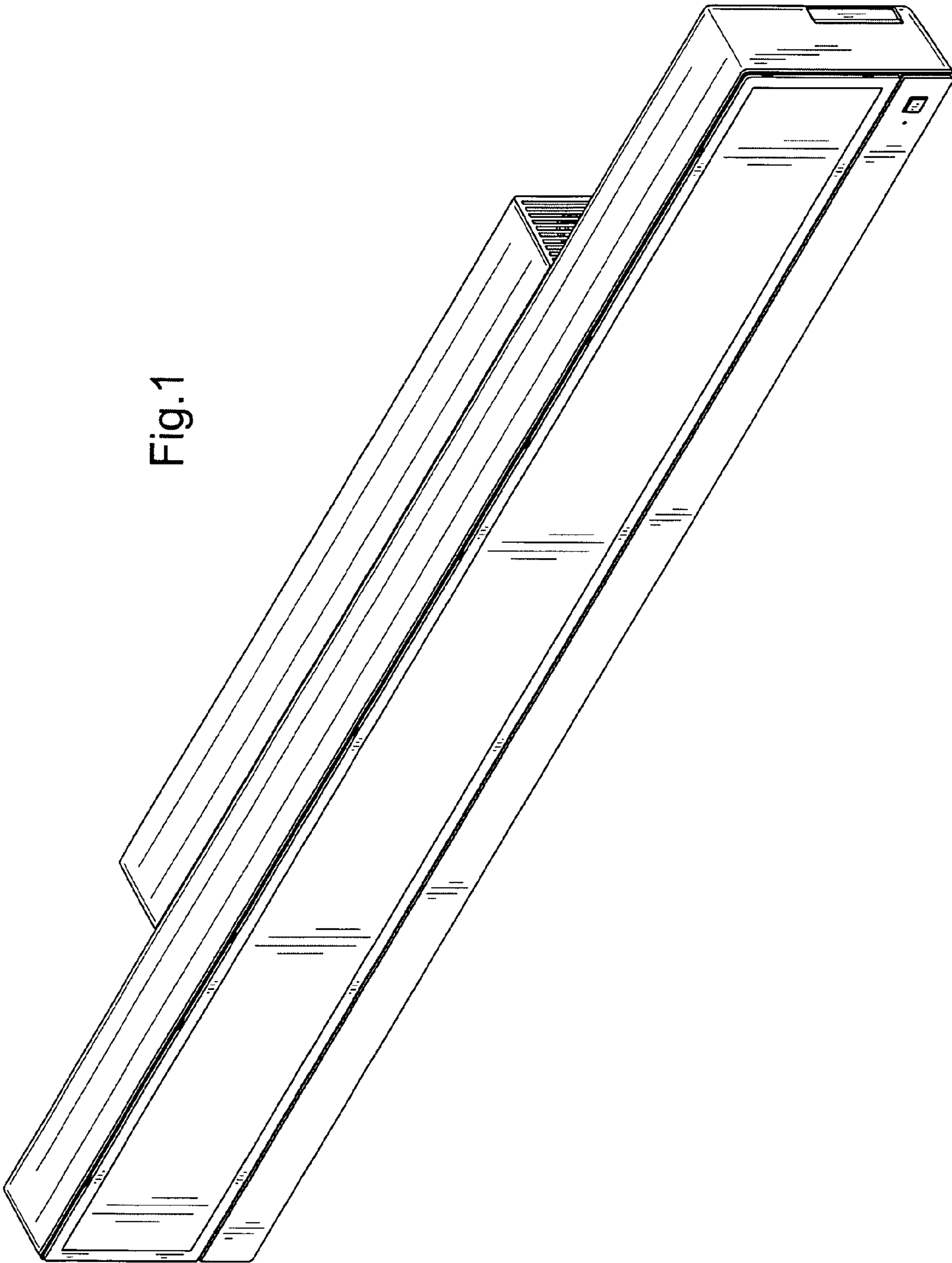
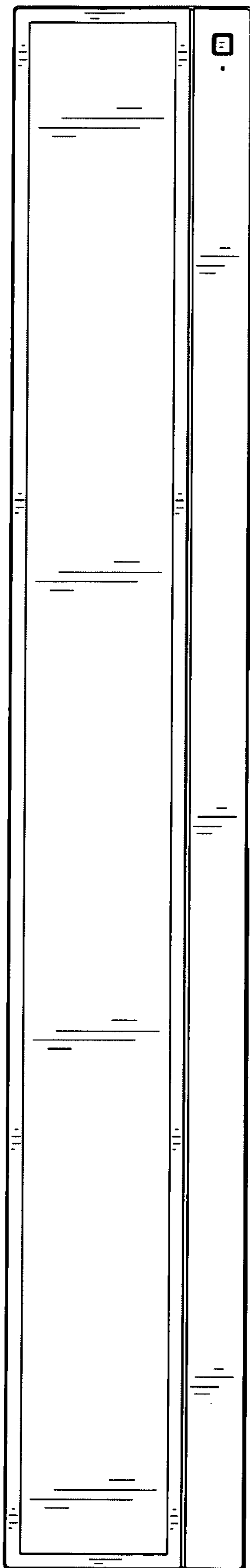


Fig.2



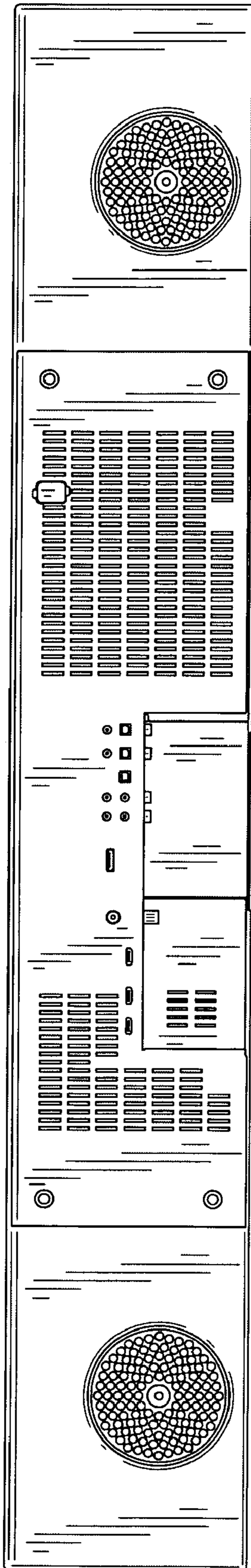


Fig.3

Fig. 4

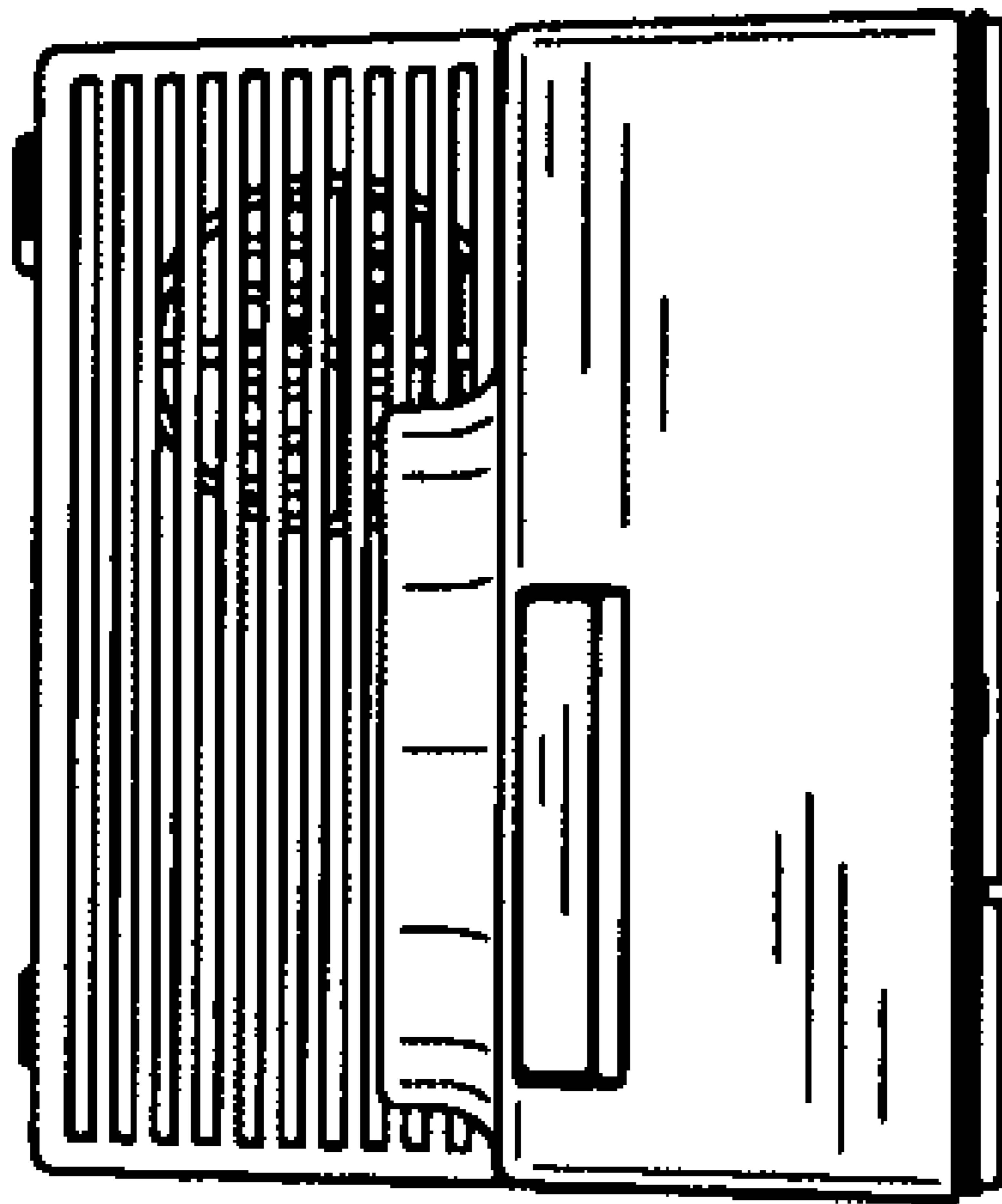


Fig. 5

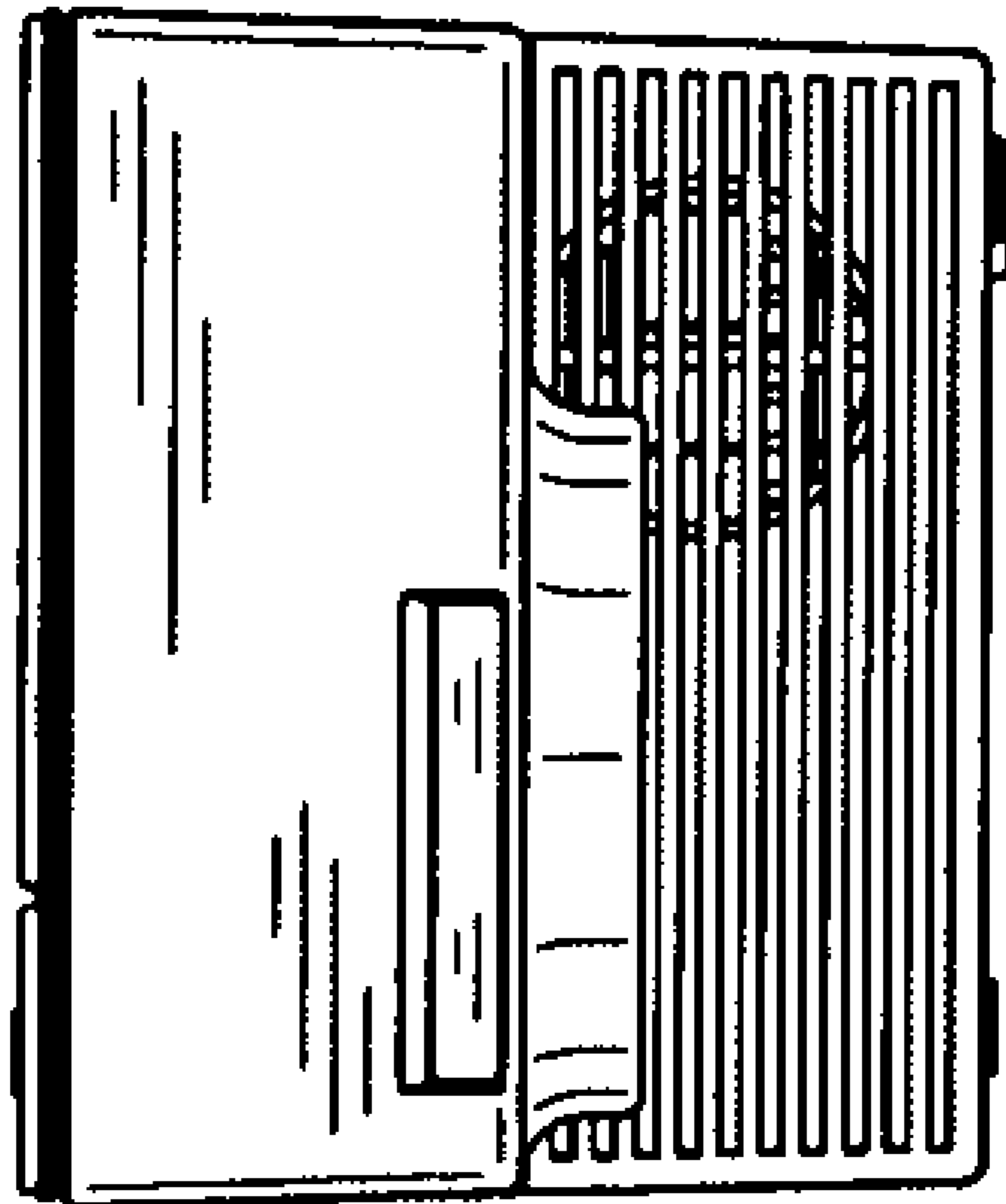


Fig.6

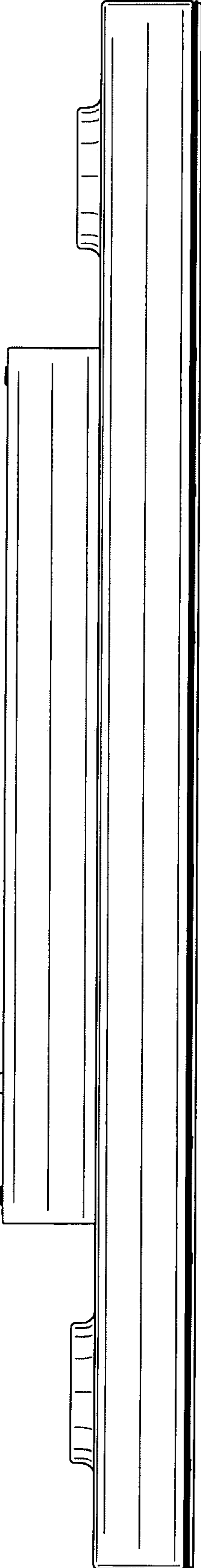


Fig. 7

