



US00D578996S

(12) **United States Design Patent**
Sutton

(10) **Patent No.:** **US D578,996 S**
(45) **Date of Patent:** **** Oct. 21, 2008**

(54) **CARRYING BOX WITH BUILT-IN SPEAKERS**

D514,810 S * 2/2006 Armato D3/273

(76) Inventor: **Joseph A. Sutton**, 295 Fifth Ave., Suite 312, New York, NY (US) 10016

* cited by examiner

Primary Examiner—Nanda Bondade
(74) *Attorney, Agent, or Firm*—Ezra Sutton

(**) Term: **14 Years**

(21) Appl. No.: **29/288,330**

(57) **CLAIM**

(22) Filed: **Jun. 6, 2007**

The ornamental design for a carrying box with built-in speakers, as shown and described.

(51) **LOC (8) Cl.** **14-01**

(52) **U.S. Cl.** **D14/172; D14/215; D3/274**

DESCRIPTION

(58) **Field of Classification Search** D14/204, D14/209–216, 168, 188, 172; D3/270–276, D3/903, 905; 181/143–148, 150, 157, 198–199, 181/151, 153; 381/300–302, 306, 333, 345, 381/361–364, 386–388, 332, 336; 206/349, 206/372, 373; D7/605, 709, 710

FIG. 1 is front perspective view of a carrying box with built-in speakers showing my new design;

FIG. 2 is an exploded front perspective view thereof in an open configuration;

See application file for complete search history.

FIG. 3 is a front elevational view of FIG. 1;

FIG. 4 is a rear elevational view thereof;

(56) **References Cited**

U.S. PATENT DOCUMENTS

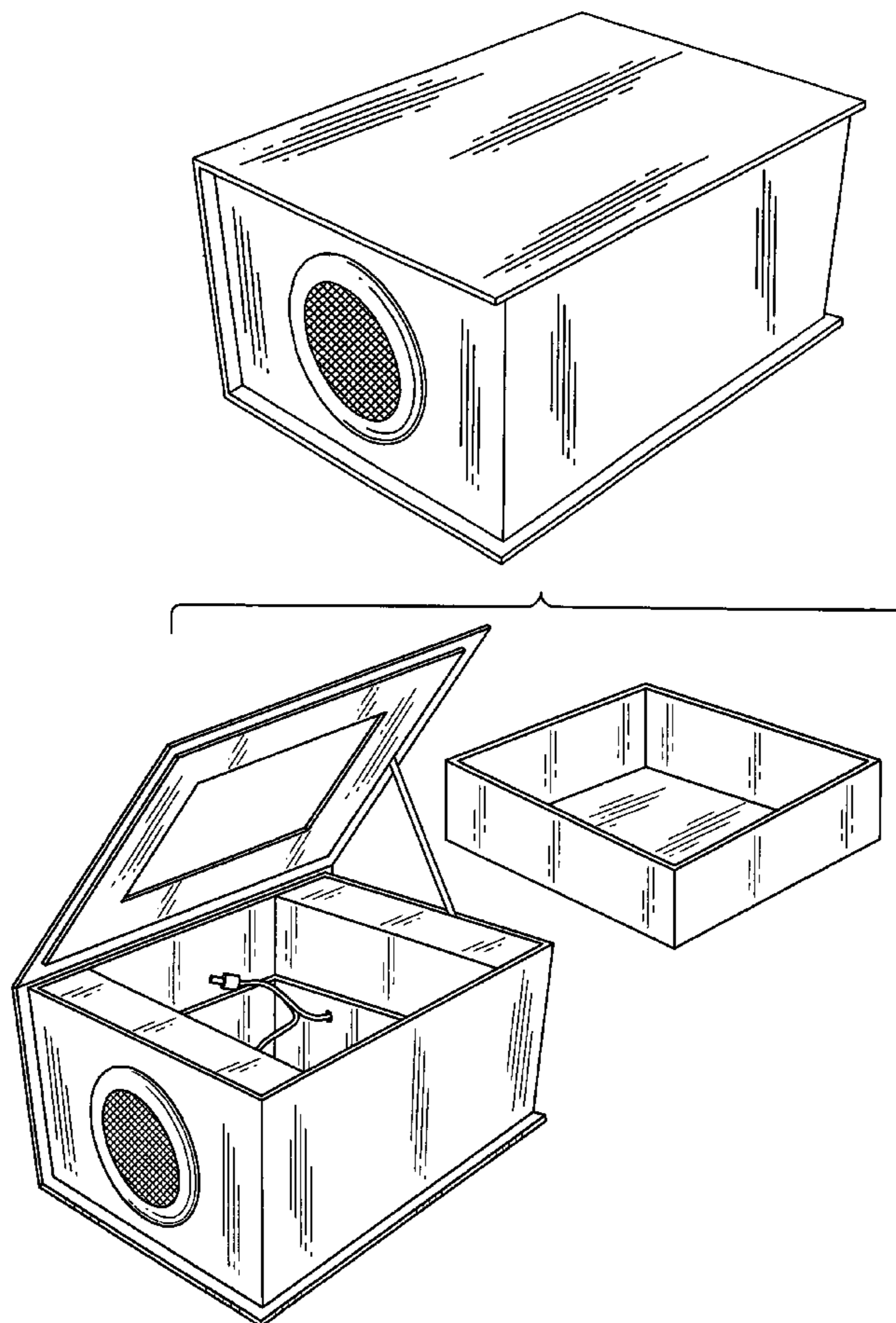
- D135,357 S * 3/1943 Botham D3/275
- D351,319 S * 10/1994 Long et al. D14/168
- D364,161 S * 11/1995 Campbell D14/168
- 5,810,168 A * 9/1998 Eggering 206/372

FIG. 5 is a left side elevational view thereof;

FIG. 6 is a right side elevational view thereof; and,

FIG. 7 is a top plan view thereof; and the bottom plan view being a mirror image thereof.

1 Claim, 4 Drawing Sheets



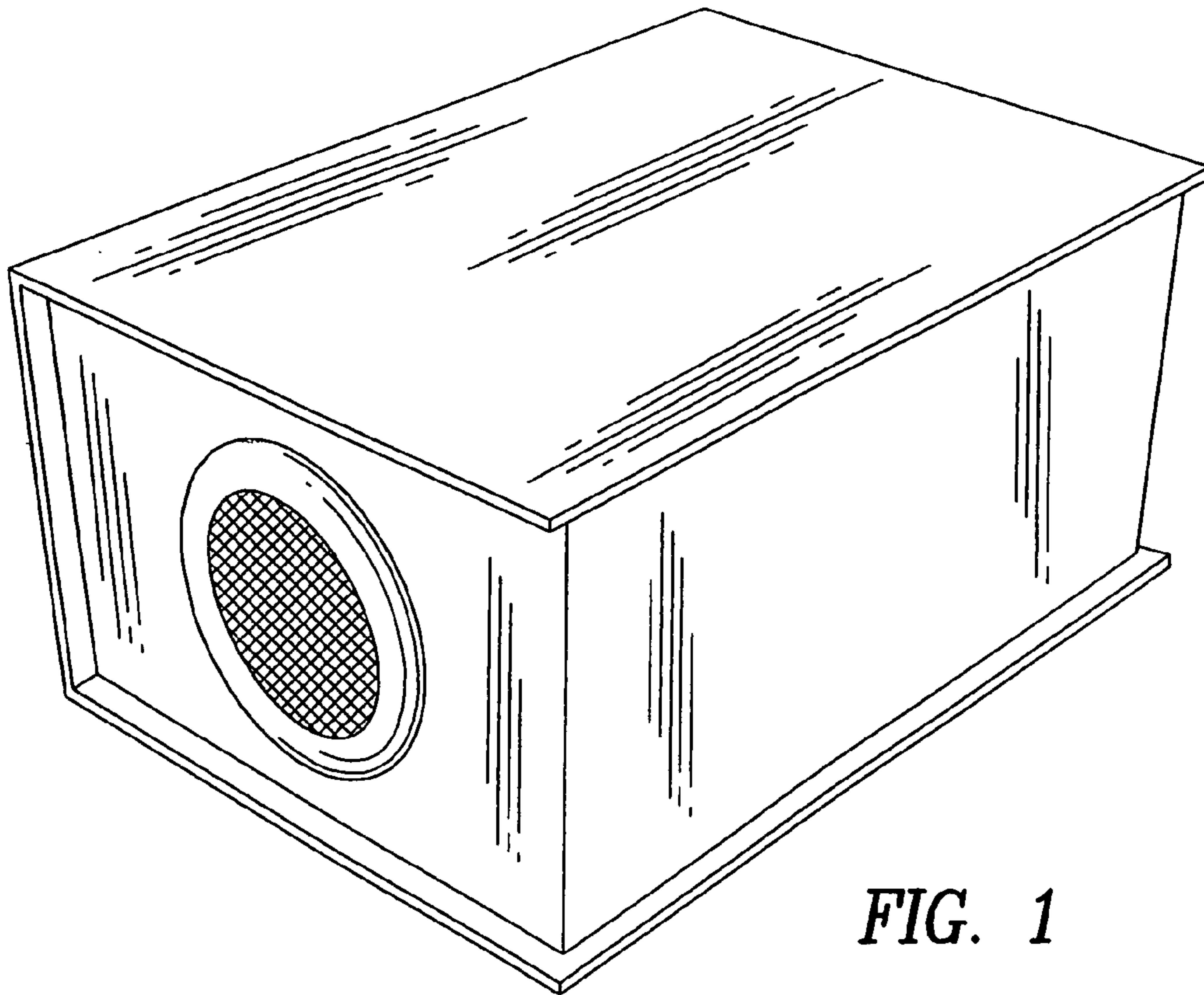


FIG. 1

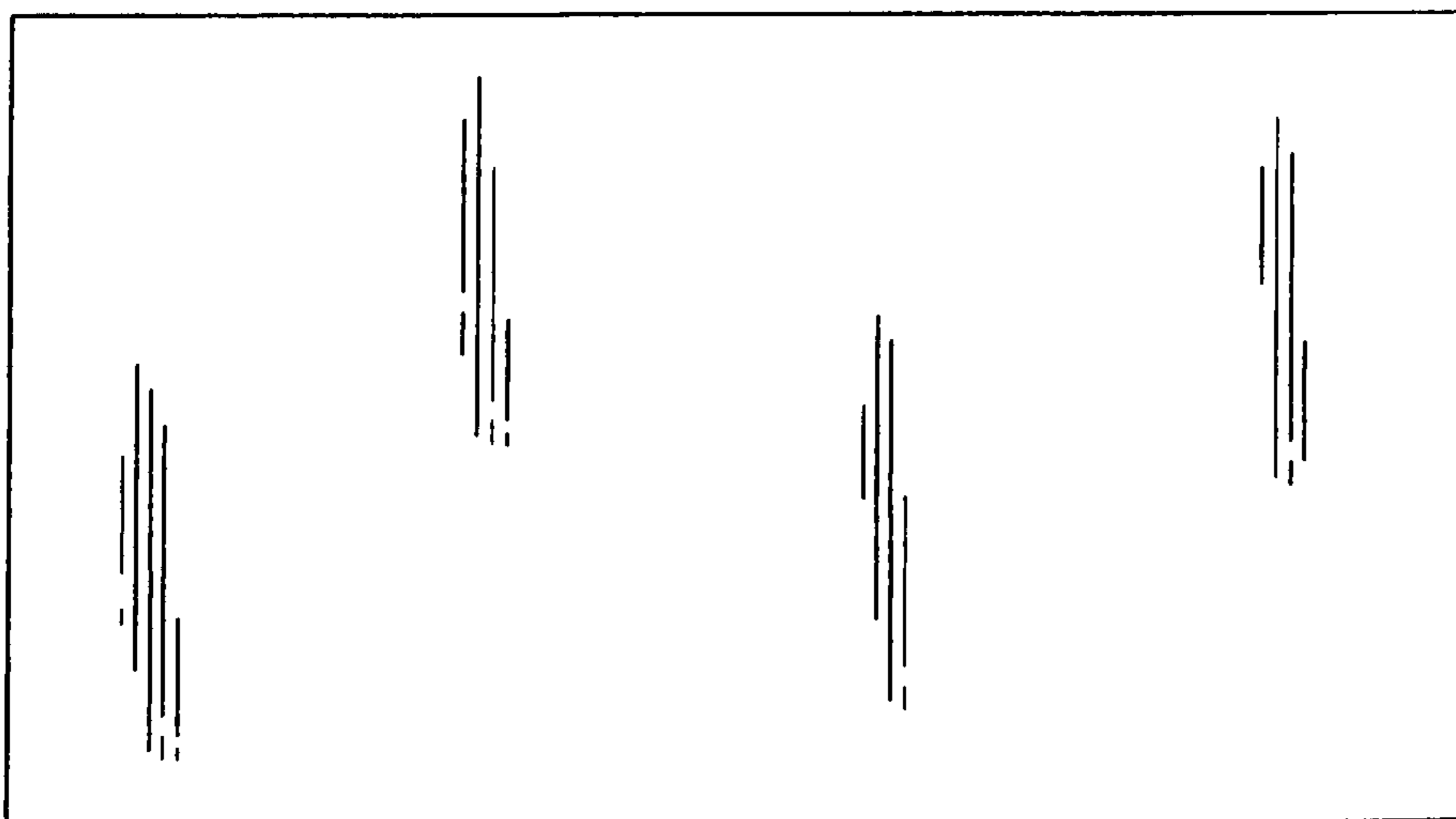


FIG. 7

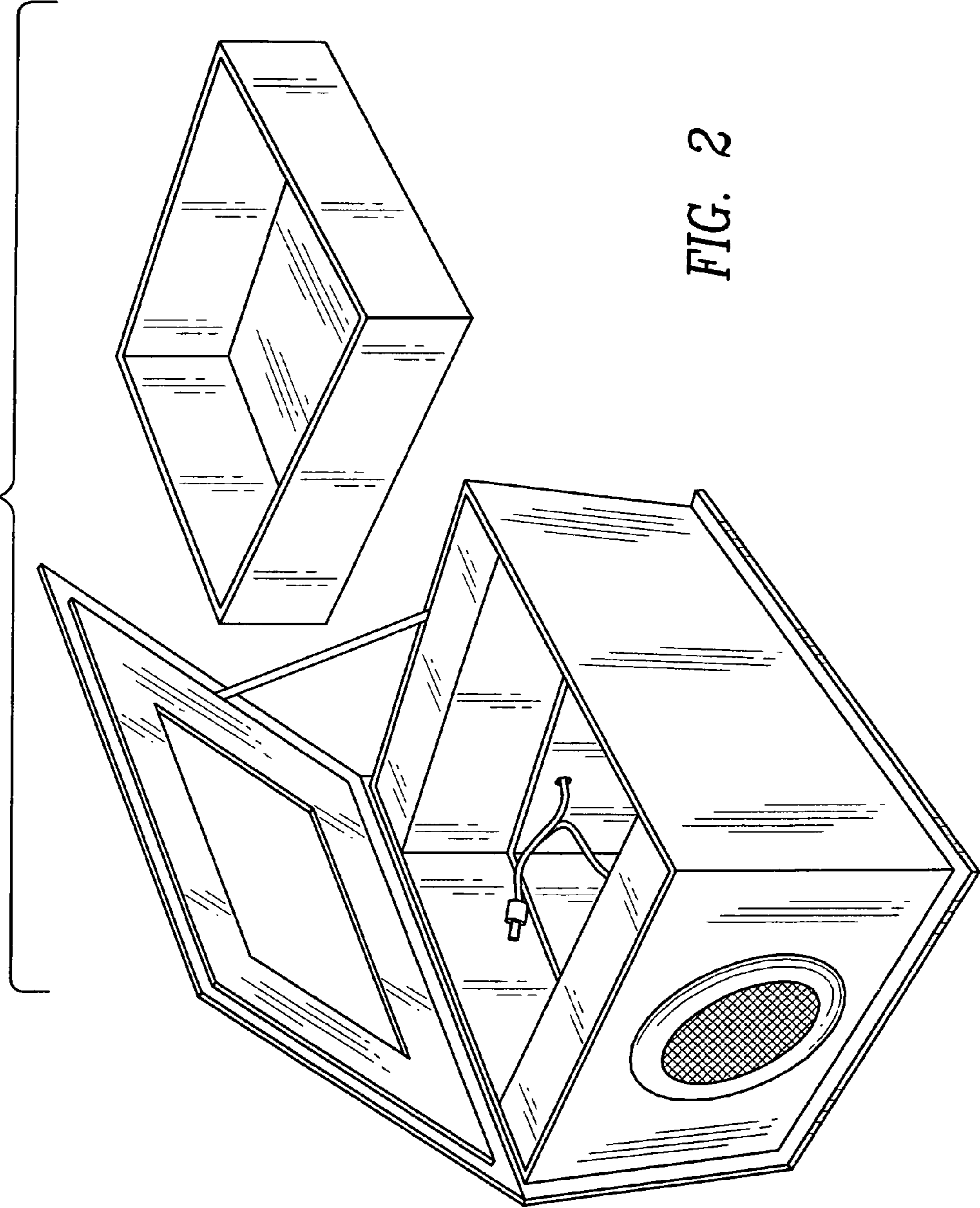


FIG. 2

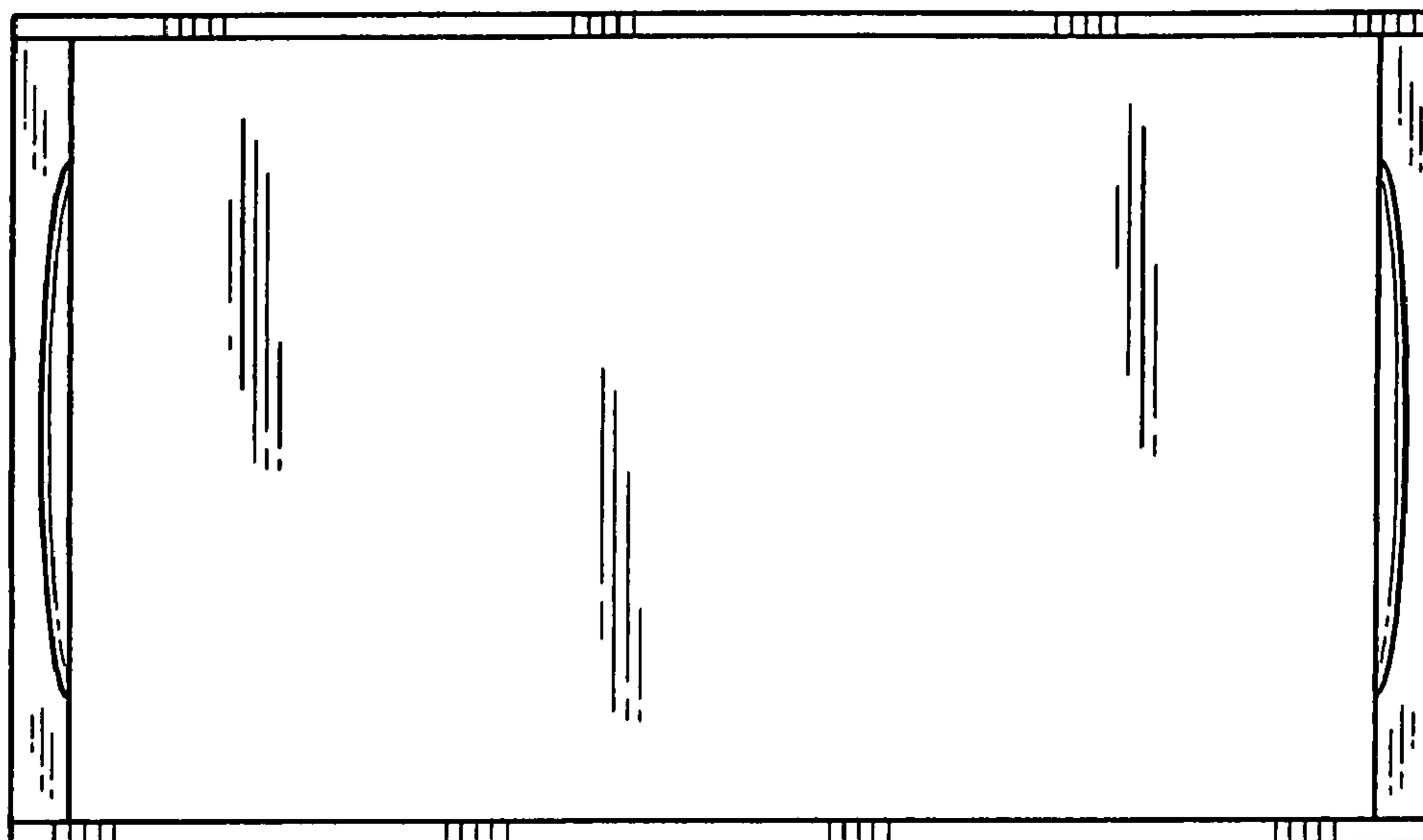


FIG. 3

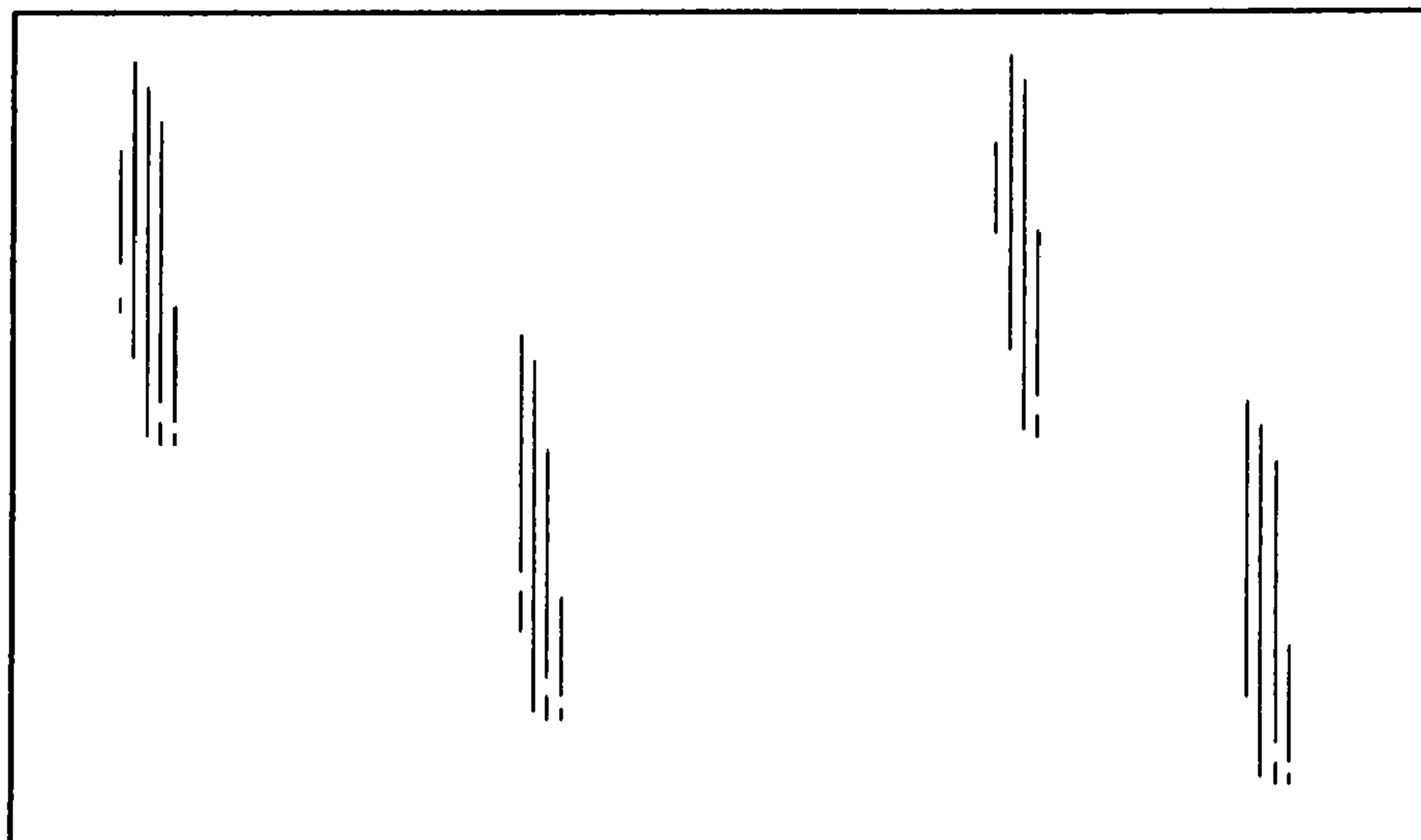


FIG. 4

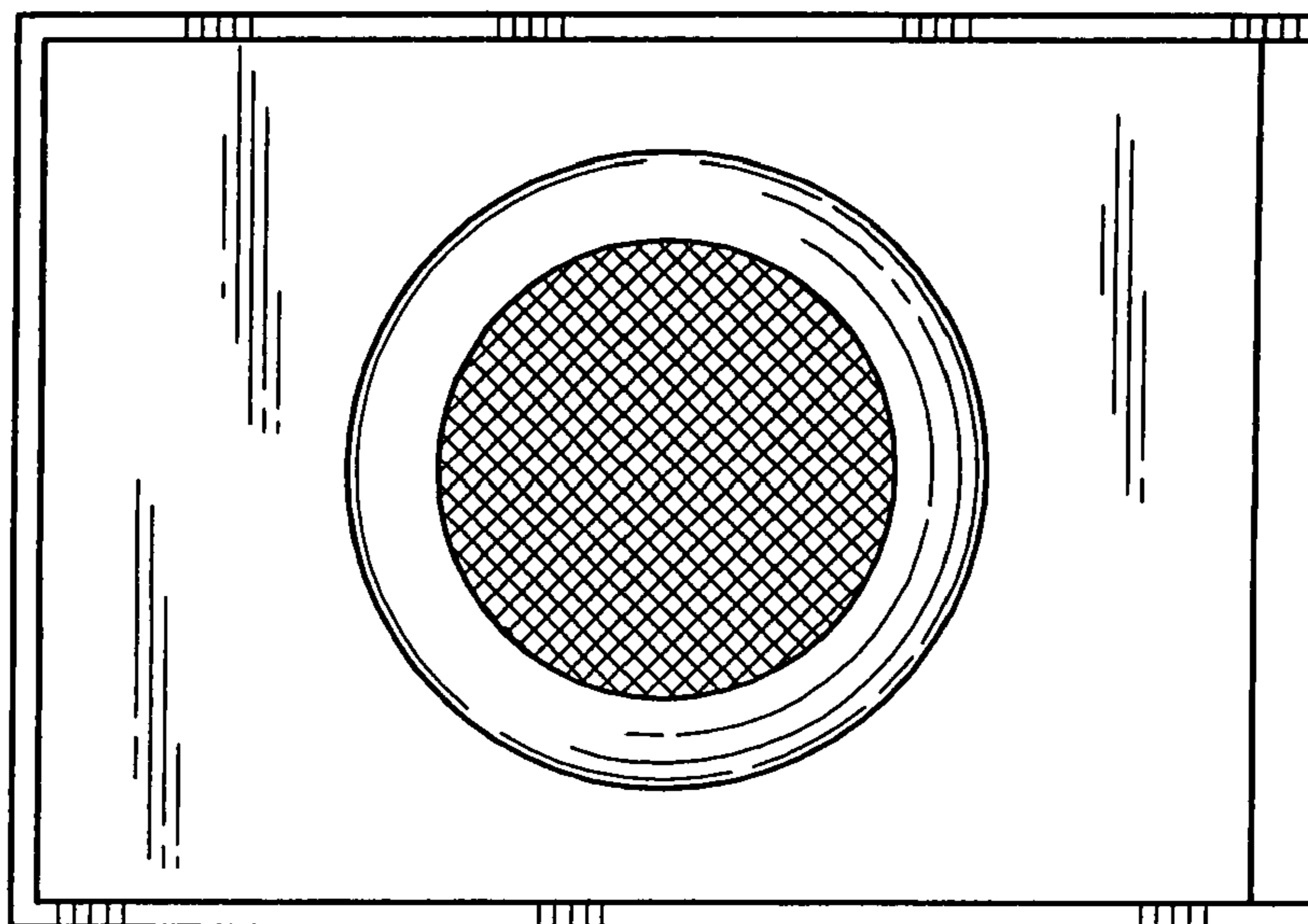


FIG. 5

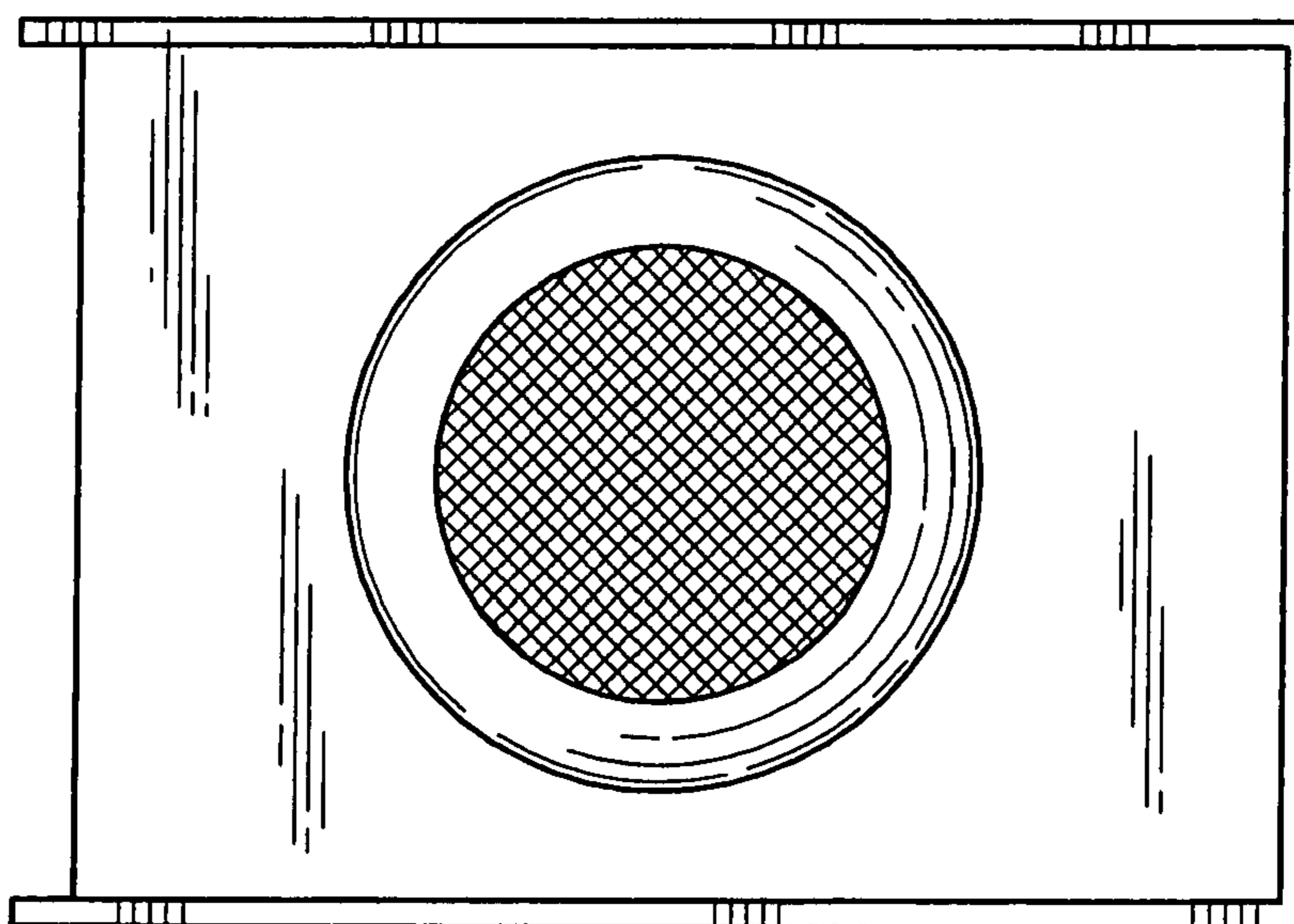


FIG. 6