

US00D578994S

(12) **United States Design Patent**
Oka

(10) **Patent No.:** **US D578,994 S**
(45) **Date of Patent:** **** Oct. 21, 2008**

(54) **PORTABLE RECORDER**

(75) Inventor: **Hiroki Oka**, Tokyo (JP)

(73) Assignee: **Sony Corporation**, Tokyo (JP)

(**) Term: **14 Years**

(21) Appl. No.: **29/290,605**

(22) Filed: **Dec. 26, 2007**

(30) **Foreign Application Priority Data**

Sep. 5, 2007 (JP) D2007-024224

(51) **LOC (8) Cl.** **14-01**

(52) **U.S. Cl.** **D14/167**

(58) **Field of Classification Search** D14/167,
D14/154, 168, 188, 496, 156, 160, 161, 162,
D14/163, 164, 165, 192; D16/208; D26/38;
455/351, 350

See application file for complete search history.

(56) **References Cited**

U.S. PATENT DOCUMENTS

- D244,718 S * 6/1977 Emmerling D14/196
- D290,843 S * 7/1987 Murphy D14/168
- D311,006 S * 10/1990 Hino et al. D14/165
- D408,411 S 4/1999 Hakoda
- D419,464 S * 1/2000 Chang D10/78
- D430,134 S 8/2000 Obata et al.
- D438,857 S * 3/2001 Ishii D14/161
- D472,884 S 4/2003 Narita
- 6,769,603 B2 * 8/2004 Nagai et al. 235/375
- D500,020 S * 12/2004 Tanaka D14/168
- D507,557 S * 7/2005 Meguro D14/167
- D523,414 S 6/2006 Kobayashi

- D533,862 S * 12/2006 Jinde D14/167
- D542,262 S 5/2007 Oka
- D558,183 S * 12/2007 Aoki D14/167
- 2005/0224332 A1 * 10/2005 Yamaguchi 200/547

FOREIGN PATENT DOCUMENTS

- JP D 1265953 S 3/2006
- JP 2007-43510 A 2/2007

OTHER PUBLICATIONS

Web page, "Handy Recorder H4", <http://www.zoom.co.jp/japanese/news/news142/index.php2007/10/17>, 7 sheets, Zoom Corporation (Oct. 2007).

* cited by examiner

Primary Examiner—Cathron Brooks
Assistant Examiner—Austin Murphy
(74) *Attorney, Agent, or Firm*—Rader, Fishman & Grauer, PLLC

(57) **CLAIM**

The ornamental design for a portable recorder, as shown.

DESCRIPTION

FIG. 1 is a perspective view of a portable recorder showing my new design;
FIG. 2 is a front elevational view thereof;
FIG. 3 is a rear elevational view thereof;
FIG. 4 is a left side elevational view thereof;
FIG. 5 is a right side elevational view thereof;
FIG. 6 is a top plan view thereof; and,
FIG. 7 is a bottom plan view thereof.

1 Claim, 7 Drawing Sheets

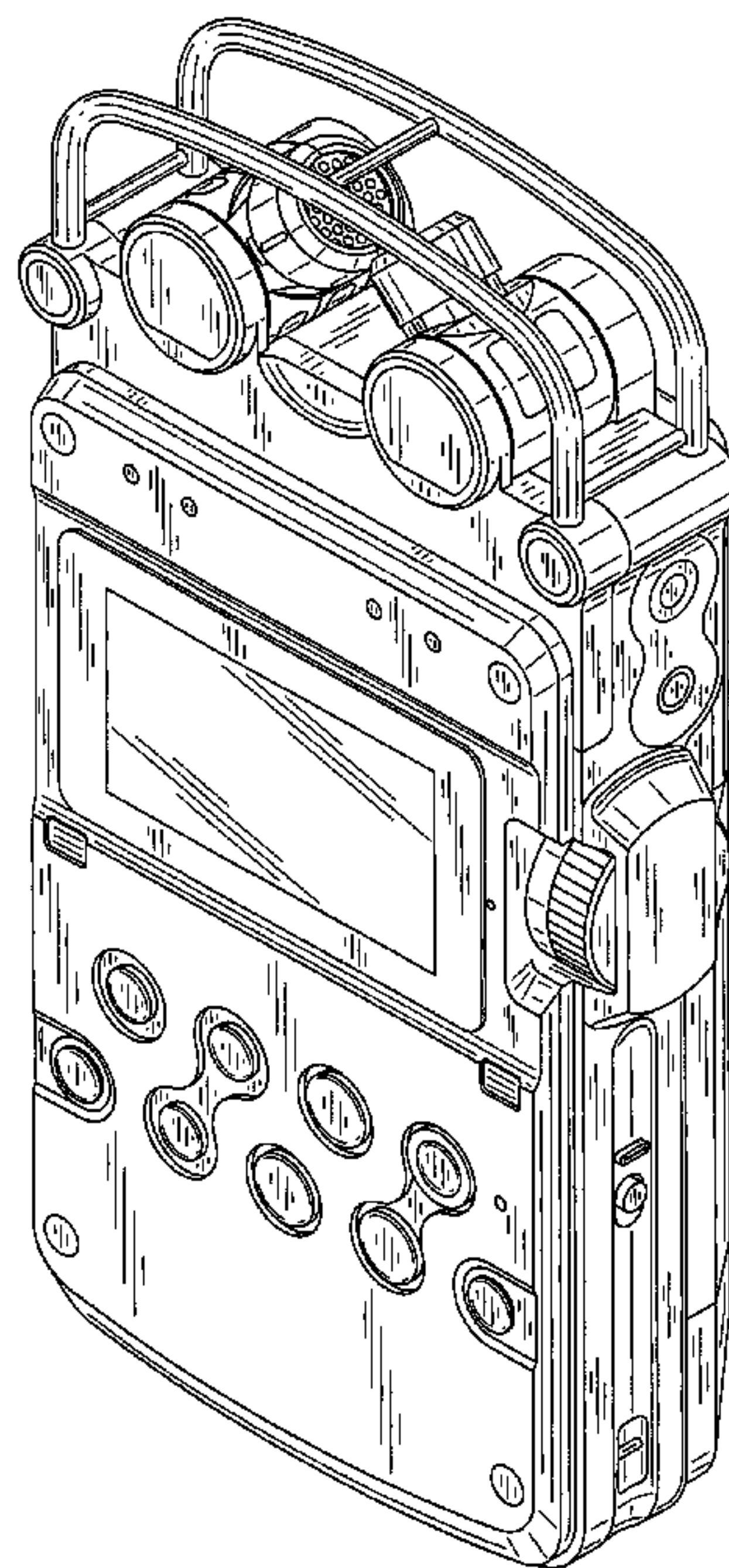


Fig.1

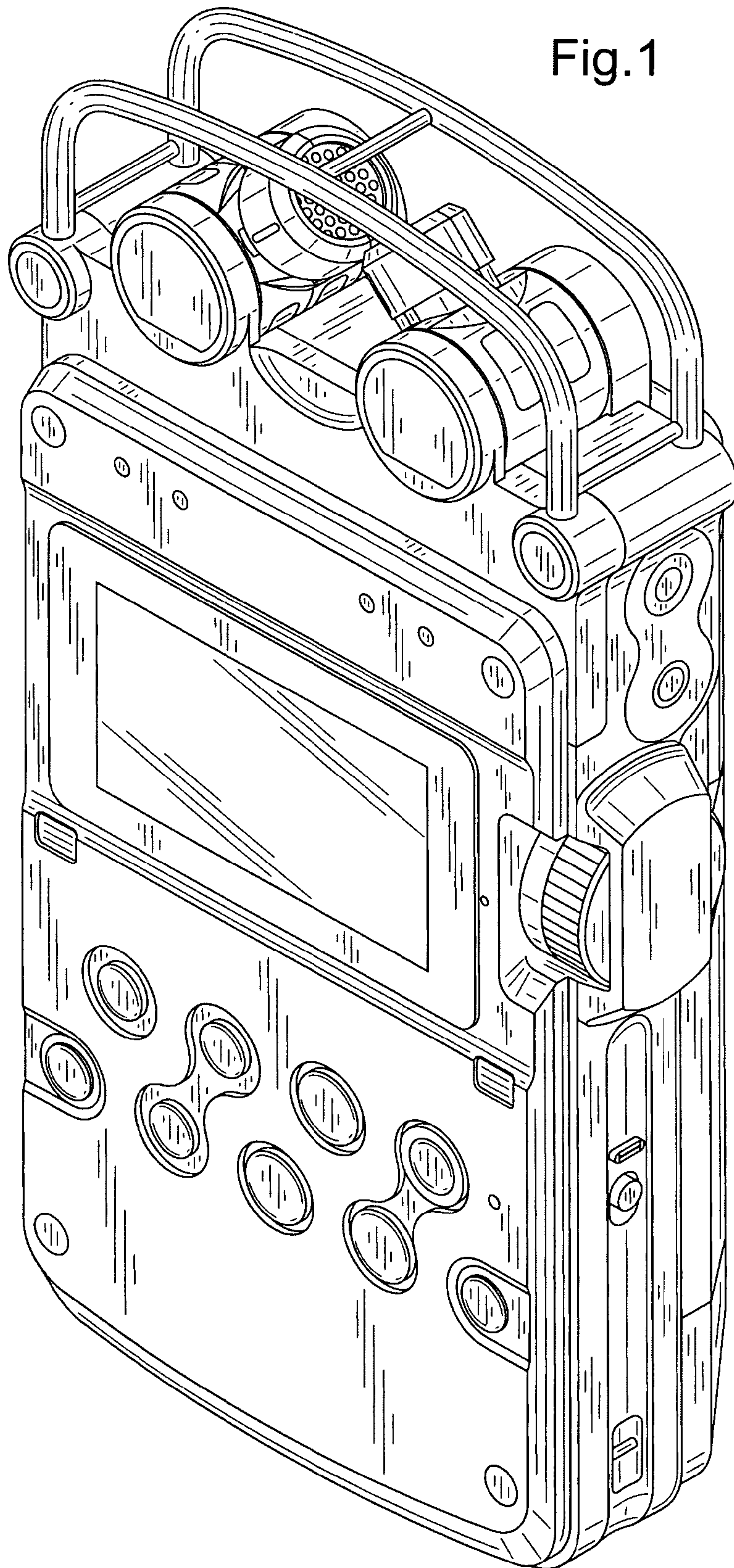


Fig.2

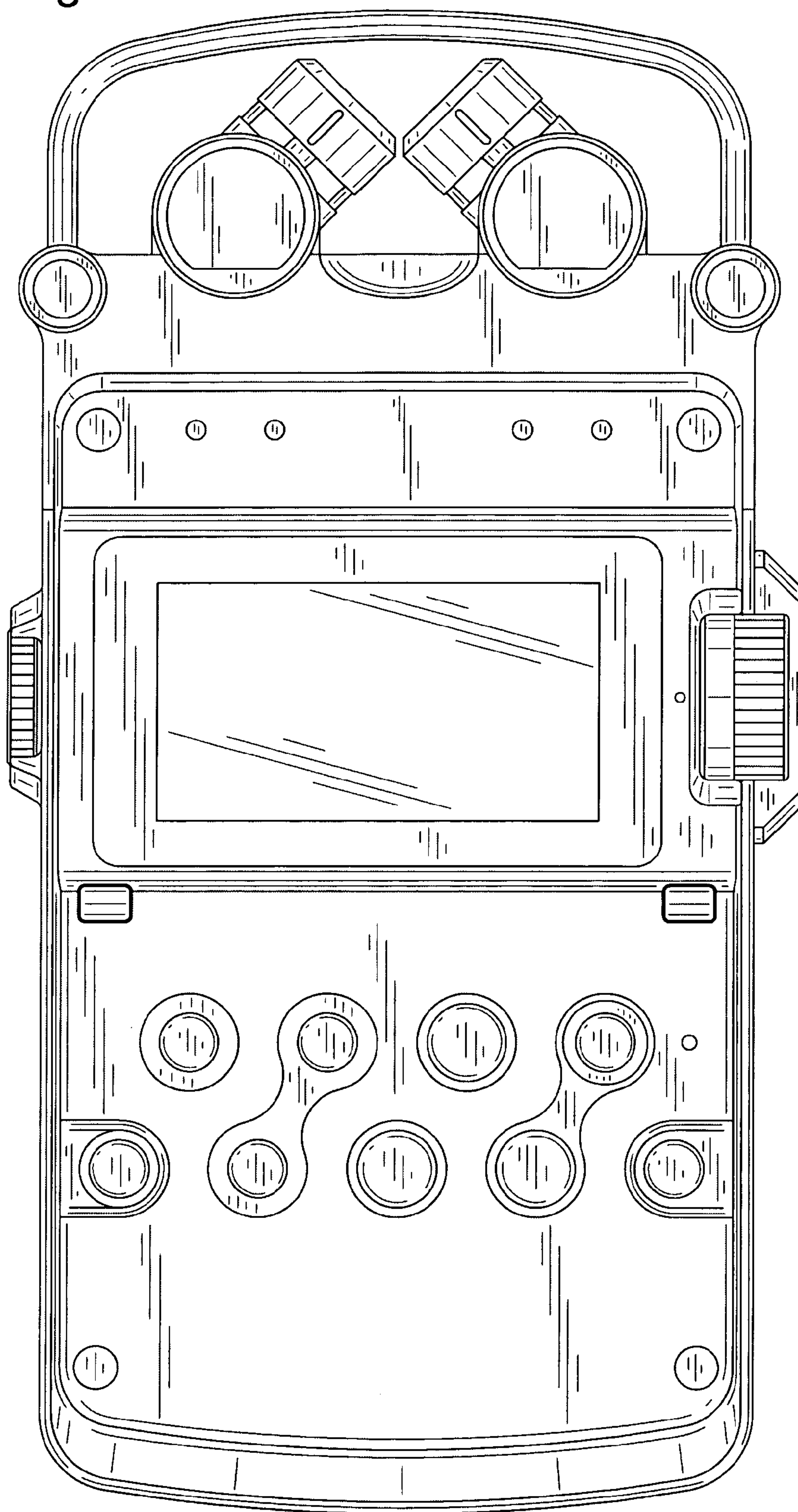


Fig.3

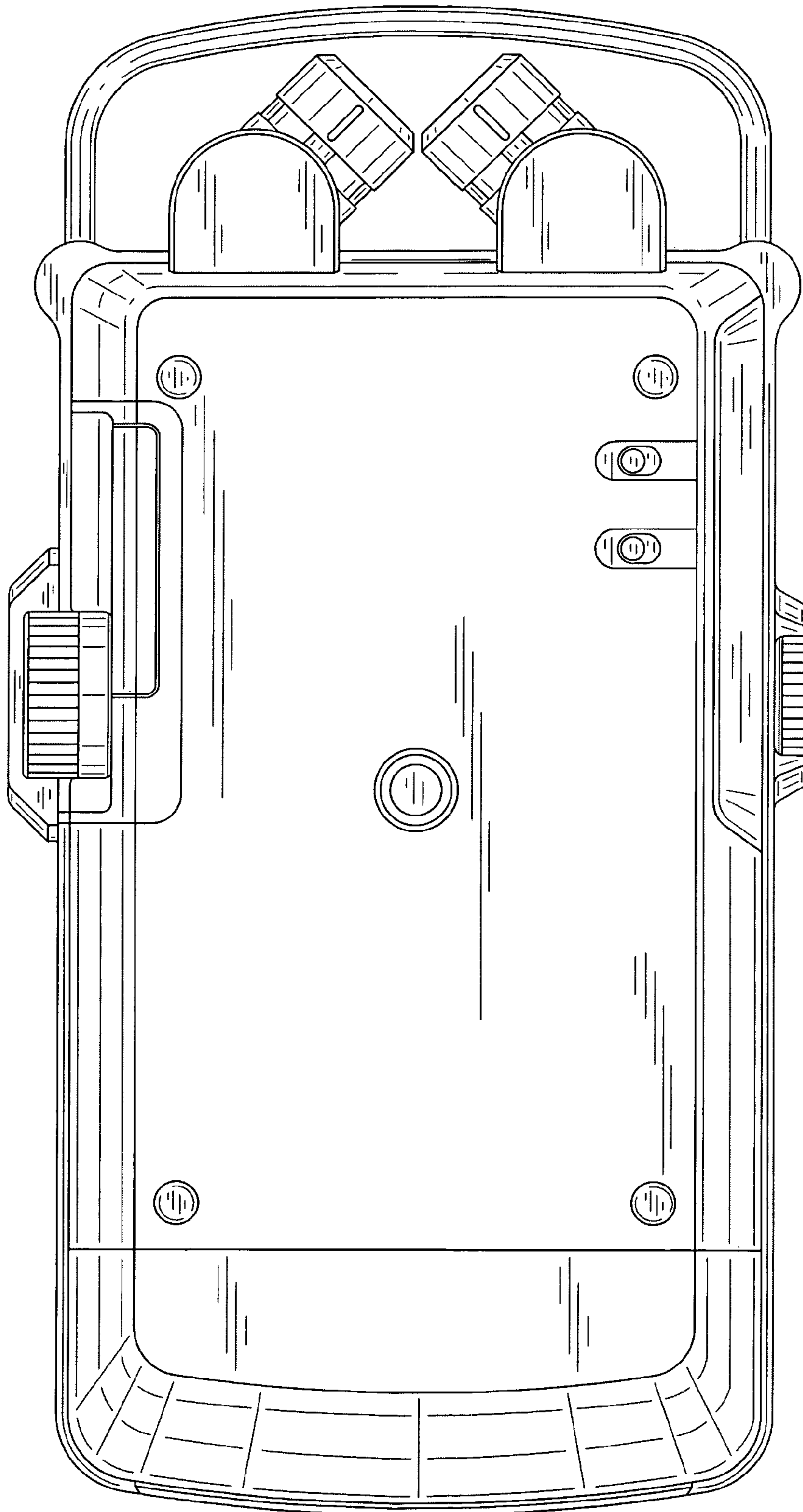


Fig.4

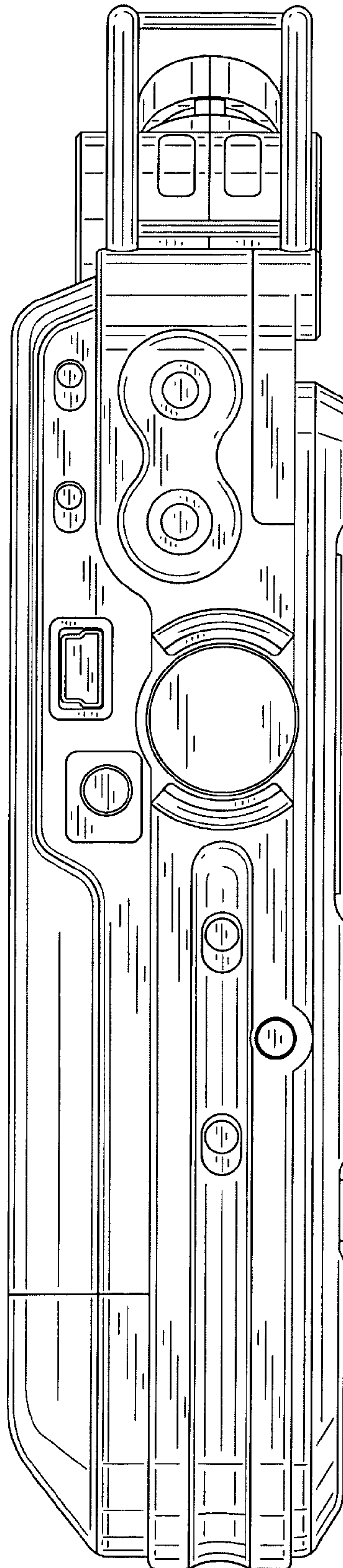


Fig.5

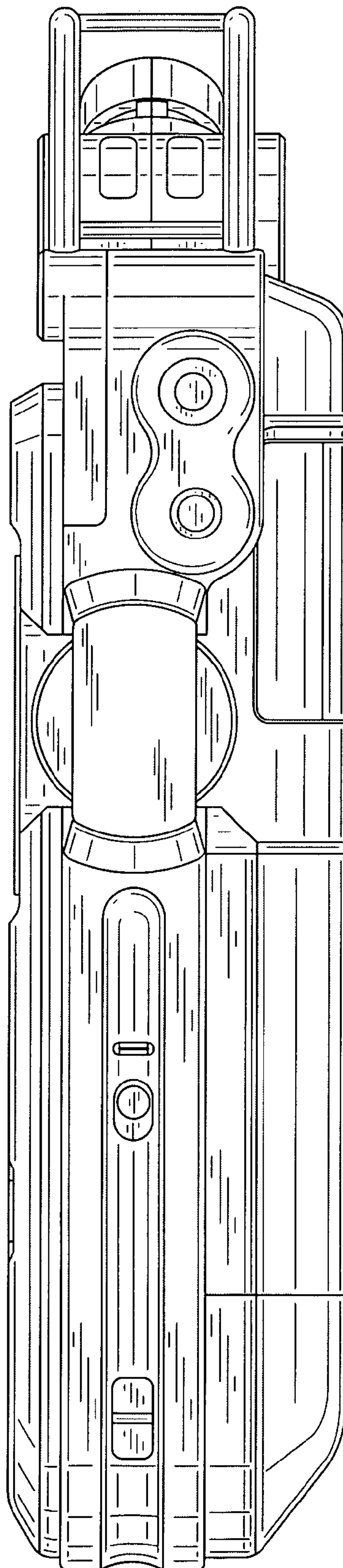


Fig.6

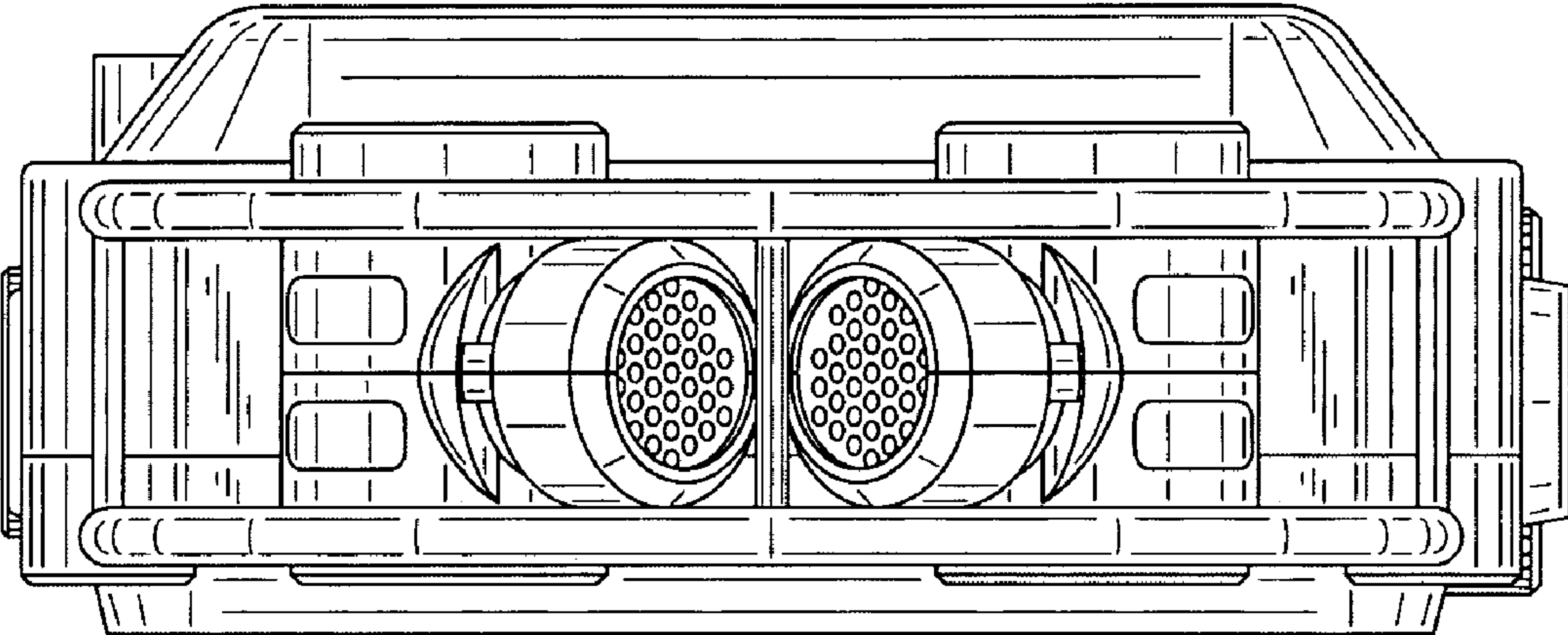


Fig.7

