



US00D578991S

(12) **United States Design Patent**  
**Donovan et al.**

(10) **Patent No.:** **US D578,991 S**  
(45) **Date of Patent:** **\*\* Oct. 21, 2008**

(54) **TRANSMITTER FOR A MEDIA PLAYER**

(75) Inventors: **Robert St. Clair Donovan**, Franklin, TN (US); **Blair W. Hasty**, Nashville, TN (US)

(73) Assignee: **Griffin Technology, Inc.**, Nashville, TN (US)

(\*\*) Term: **14 Years**

(21) Appl. No.: **29/282,092**

(22) Filed: **Jul. 11, 2007**

(51) **LOC (8) Cl.** ..... **14-03**

(52) **U.S. Cl.** ..... **D14/155**

(58) **Field of Classification Search** ..... D14/358, D14/299, 248, 240, 218, 191, 188, 162, 155, D14/137, 226; D13/168, 110, 144, 107, D13/108; D10/121, 104, 106; 455/110, 455/92, 570, 208, 42, 557, 414.1; 320/137; 330/51, 276; 375/301, 376

See application file for complete search history.

(56) **References Cited**

U.S. PATENT DOCUMENTS

D446,499 S *	8/2001	Andre et al.	.....	D13/110
D507,261 S *	7/2005	Griffin	.....	D14/226
D515,545 S *	2/2006	Griffin	.....	D14/155
D531,619 S *	11/2006	Chau	.....	D14/217
D531,991 S *	11/2006	Chau	.....	D14/217
D535,278 S *	1/2007	Hussaini et al.	.....	D14/155
D535,972 S *	1/2007	Griffin	.....	D14/155

D536,695 S *	2/2007	Griffin	.....	D14/230
D545,809 S *	7/2007	Griffin	.....	D14/155
D546,811 S *	7/2007	Neu et al.	.....	D14/155
D549,210 S *	8/2007	Neu et al.	.....	D14/155
D550,196 S *	9/2007	Griffin et al.	.....	D14/155
D556,743 S *	12/2007	Griffin	.....	D14/230
D560,166 S *	1/2008	Andre et al.	.....	D13/133
D560,228 S *	1/2008	Andre et al.	.....	D14/496
D563,380 S *	3/2008	Bart	.....	D14/155
D569,848 S *	5/2008	Suzuki	.....	D14/217
D570,327 S *	6/2008	Ikeda et al.	.....	D14/155

\* cited by examiner

*Primary Examiner*—Cathron Brooks

*Assistant Examiner*—Austin Murphy

(74) *Attorney, Agent, or Firm*—Hornkohl Intellectual Property Law, PLLC

(57) **CLAIM**

The ornamental design for a transmitter for a media player, as shown and described.

**DESCRIPTION**

FIG. 1 is an isometric view showing the new design for a transmitter for a digital media player;

FIG. 2 is a front view of the transmitter for a media player;

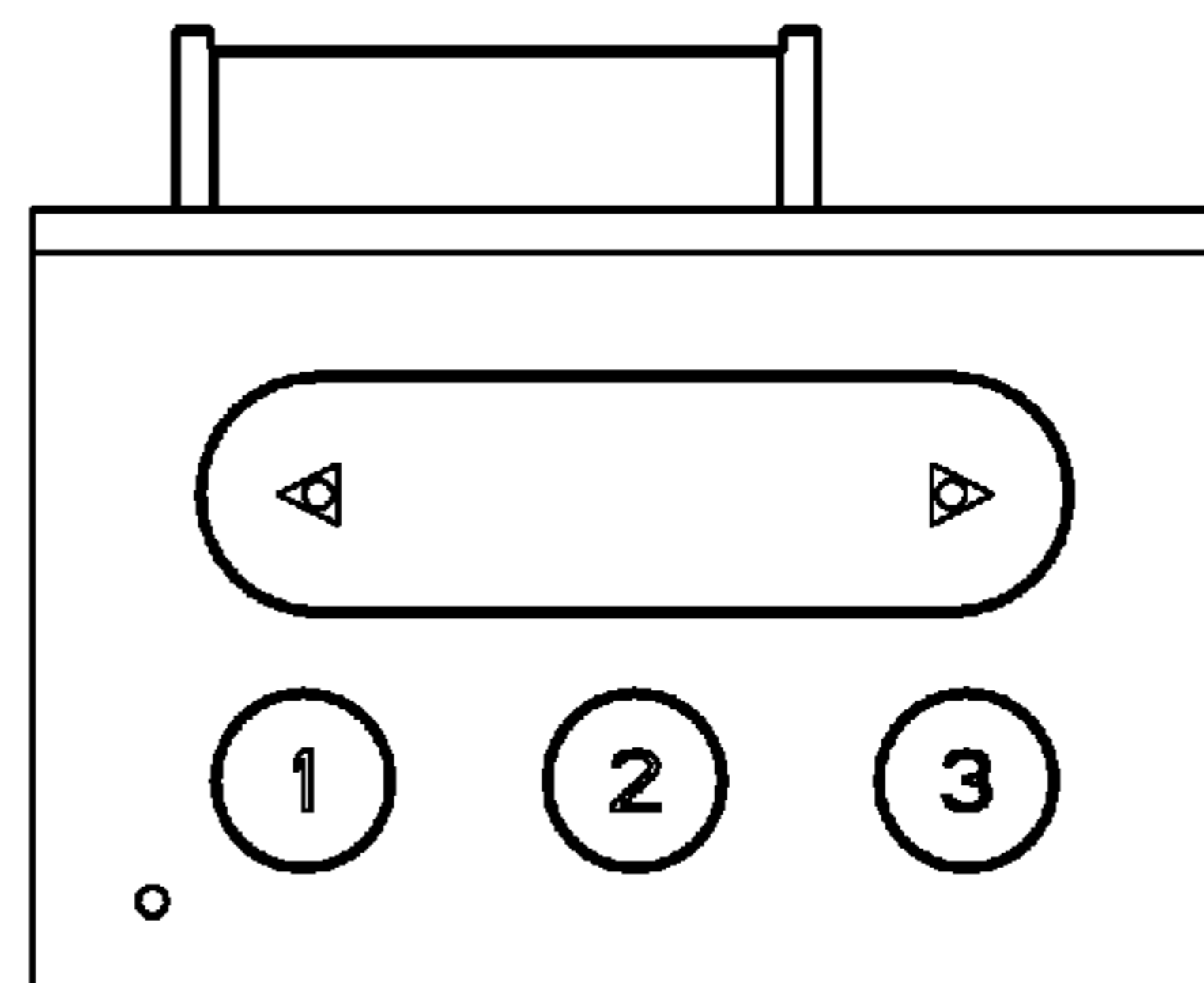
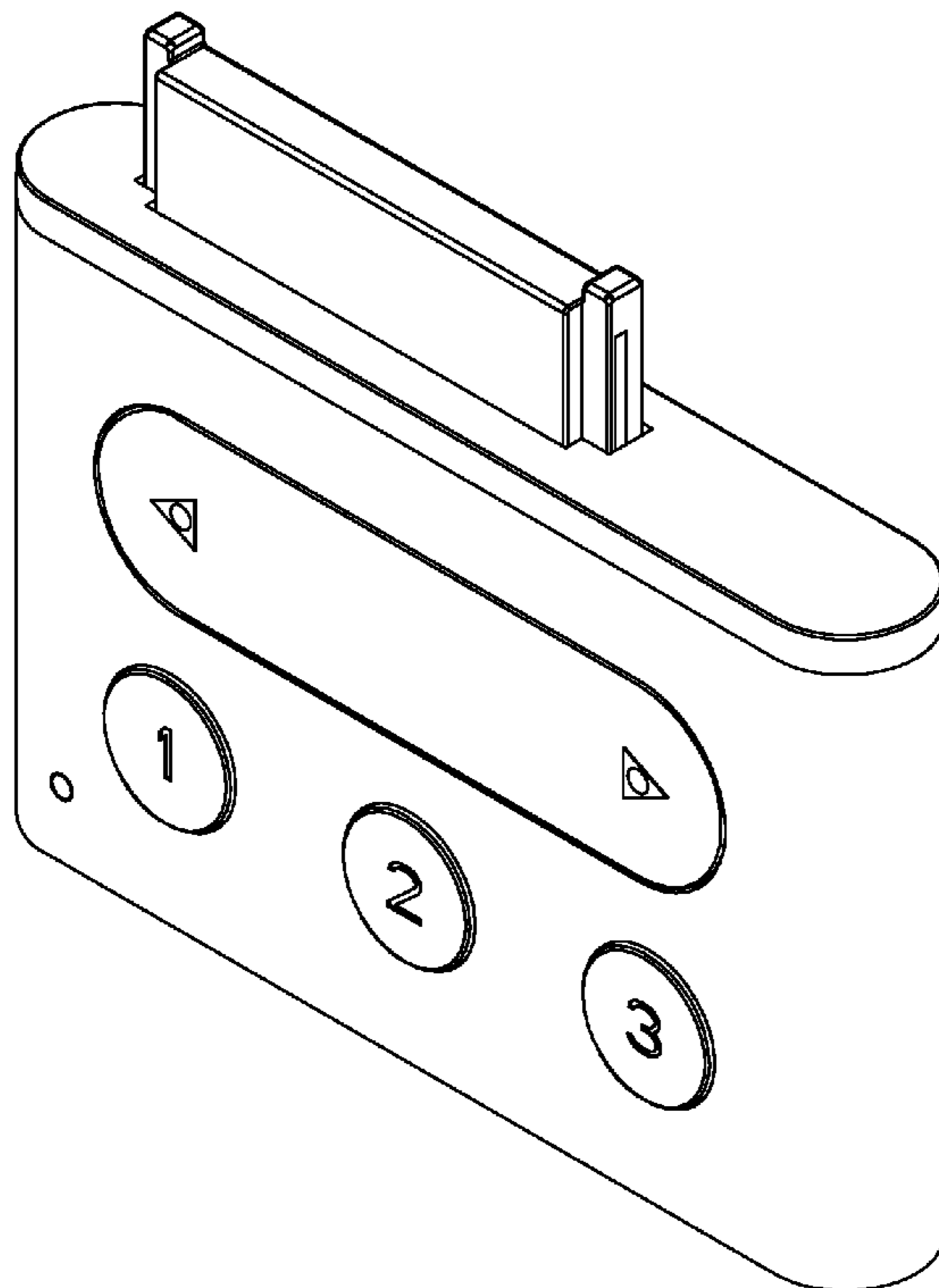
FIG. 3 is a side view of the transmitter for a media player;

FIG. 4 is a back view of the transmitter for a media player;

FIG. 5 is a top view of the transmitter for a media player; and,

FIG. 6 is a bottom view of the transmitter for a media player.

**1 Claim, 2 Drawing Sheets**



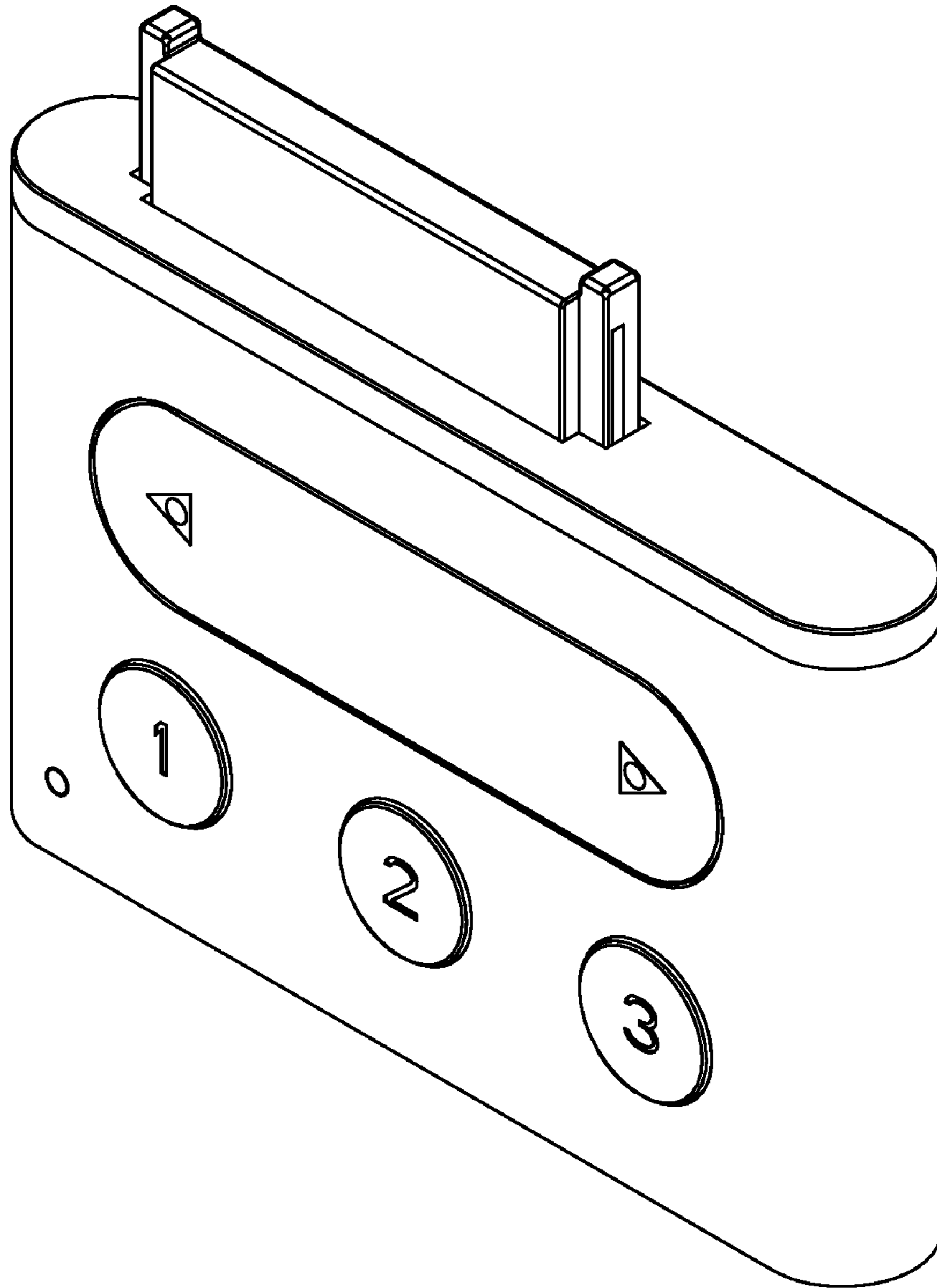


FIG. 1

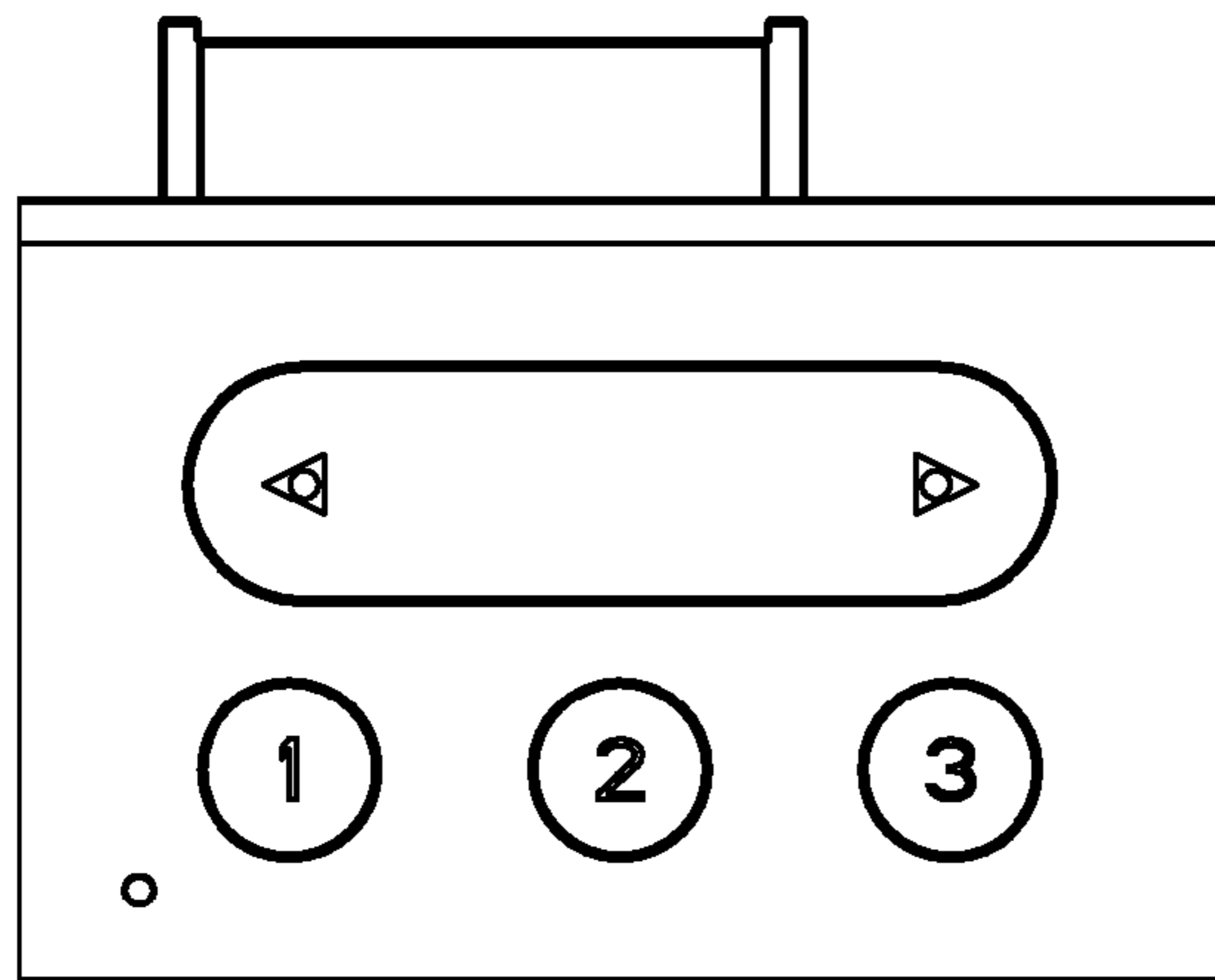


FIG. 2

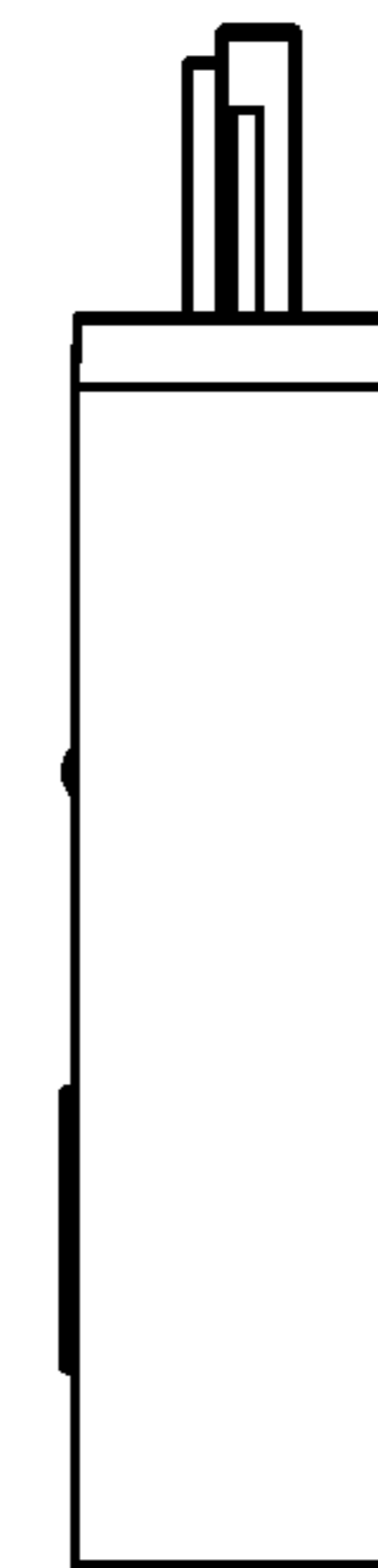


FIG. 3

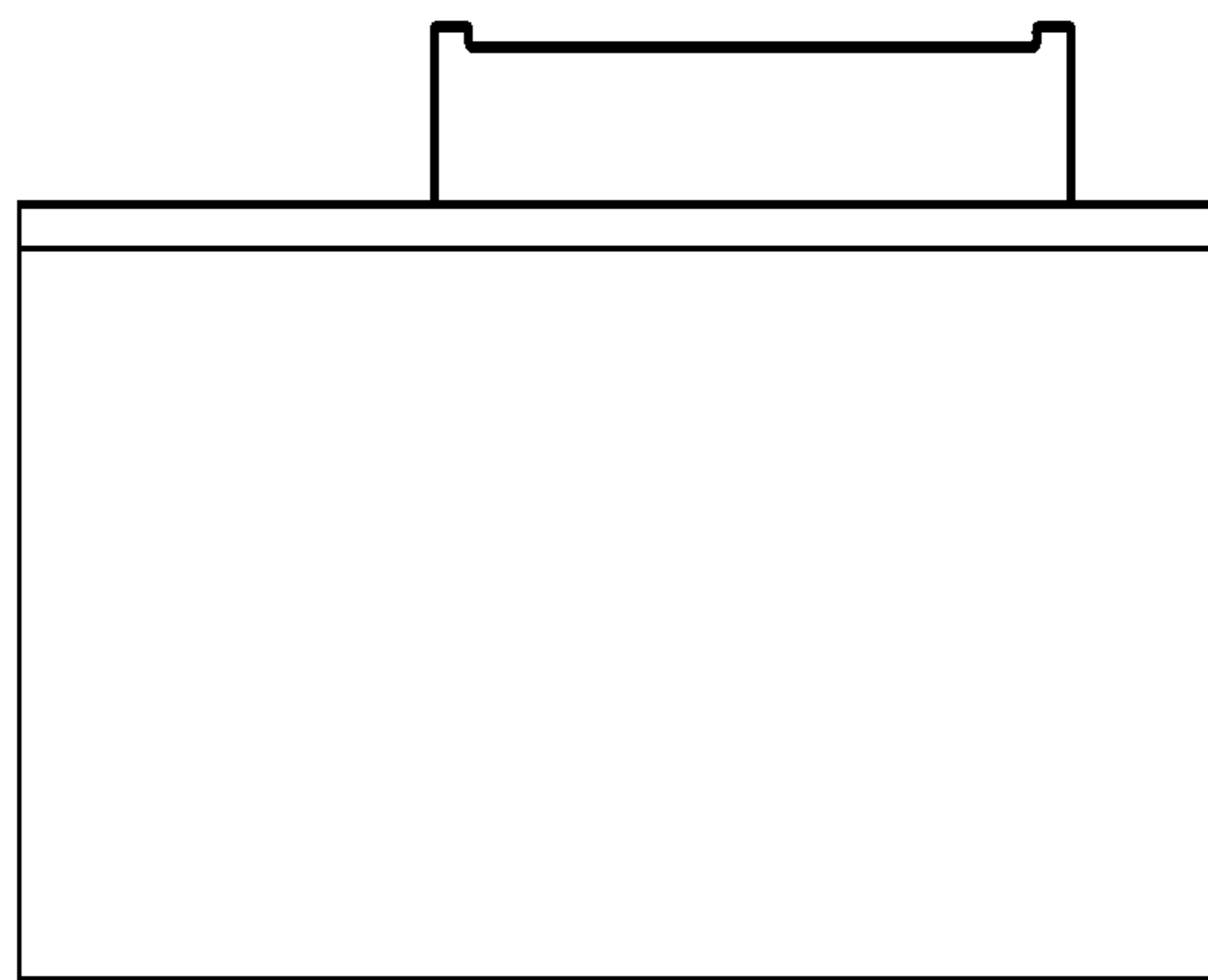


FIG. 4

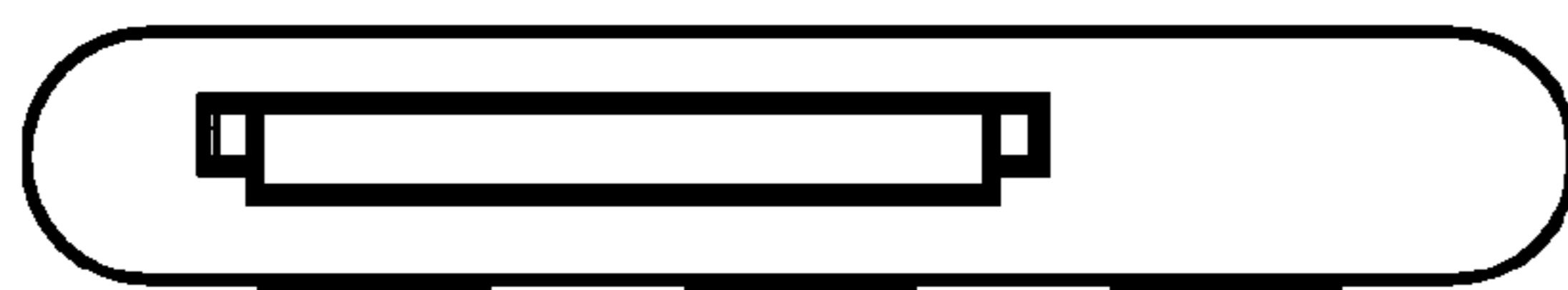


FIG. 5



FIG. 6