



US00D578982S

(12) **United States Design Patent**
Jeong et al.

(10) **Patent No.:** **US D578,982 S**
(45) **Date of Patent:** **** Oct. 21, 2008**

(54) **MOBILE PHONE**

(75) Inventors: **Jong-Il Jeong**, Seoul (KR); **Nam-Mi Kim**, Seoul (KR); **Chang-Soo Lee**, Incheon (KR)

(73) Assignee: **Samsung Electronics Co., Ltd.**, Suwon-Si (KR)

(**) Term: **14 Years**

(21) Appl. No.: **29/287,893**

(22) Filed: **Sep. 28, 2007**

(30) **Foreign Application Priority Data**

Jun. 18, 2007 (KR) 30-2007-0026034

(51) **LOC (8) Cl.** **14-03**

(52) **U.S. Cl.** **D14/138**

(58) **Field of Classification Search** D14/138,
D14/496, 341-347; 455/575.3, 575.1; D21/517
See application file for complete search history.

(56) **References Cited**

U.S. PATENT DOCUMENTS

D491,547 S *	6/2004	Cho	D14/138
D510,079 S *	9/2005	Kim et al.	D14/138
D510,733 S *	10/2005	Lee et al.	D14/138
D512,038 S *	11/2005	Kim et al.	D14/138
7,003,318 B2 *	2/2006	Kota et al.	455/556.1
D518,465 S *	4/2006	Van Den Nieuwenhuizen et al.	D14/138
D519,098 S *	4/2006	Han et al.	D14/138
D519,971 S *	5/2006	Morita et al.	D14/138
D520,484 S *	5/2006	Lee et al.	D14/138
D521,478 S *	5/2006	Lee et al.	D14/138
D545,797 S *	7/2007	Yang et al.	D14/138
D545,798 S *	7/2007	Kimbre	D14/138
D546,306 S *	7/2007	Lee	D14/138
D548,211 S *	8/2007	Lee	D14/138
D554,094 S *	10/2007	Ribeiro et al.	D14/138
D555,124 S *	11/2007	Lee	D14/138
D557,230 S *	12/2007	Kim et al.	D14/138

D558,169 S *	12/2007	Chung et al.	D14/138
D559,216 S *	1/2008	Sheu et al.	D14/138
D559,815 S *	1/2008	Moon et al.	D14/138
D560,639 S *	1/2008	Kim et al.	D14/138
D560,640 S *	1/2008	Suk et al.	D14/138
D561,144 S *	2/2008	Wenming	D14/138
D561,151 S *	2/2008	Kim et al.	D14/138
2004/0102225 A1 *	5/2004	Furuta et al.	455/566
2004/0142718 A1 *	7/2004	Kim	455/550.1
2007/0004474 A1 *	1/2007	Oota et al.	455/575.3
2007/0054636 A1 *	3/2007	Ahn et al.	455/128

OTHER PUBLICATIONS

Samsung T-439 telephone, announced Nov. 2007, [online], [site visited Feb. 29, 2008]. Available from Internet ,<URL: <http://www.gsmarena.com>>.*

Samsung A517 telephone, announced Sep. 2007, [online], [site visited Feb. 29, 2008]. Available from Internet ,<URL: <http://www.gsmarena.com>>.*

LG KG375 telephone, announced Dec. 2007, [online], [site visited Feb. 29, 2008]. Available from Internet ,<URL: <http://www.gsmarena.com>>.*

(Continued)

Primary Examiner—Jeffrey D Asch

(74) *Attorney, Agent, or Firm*—Staas & Halsey LLP

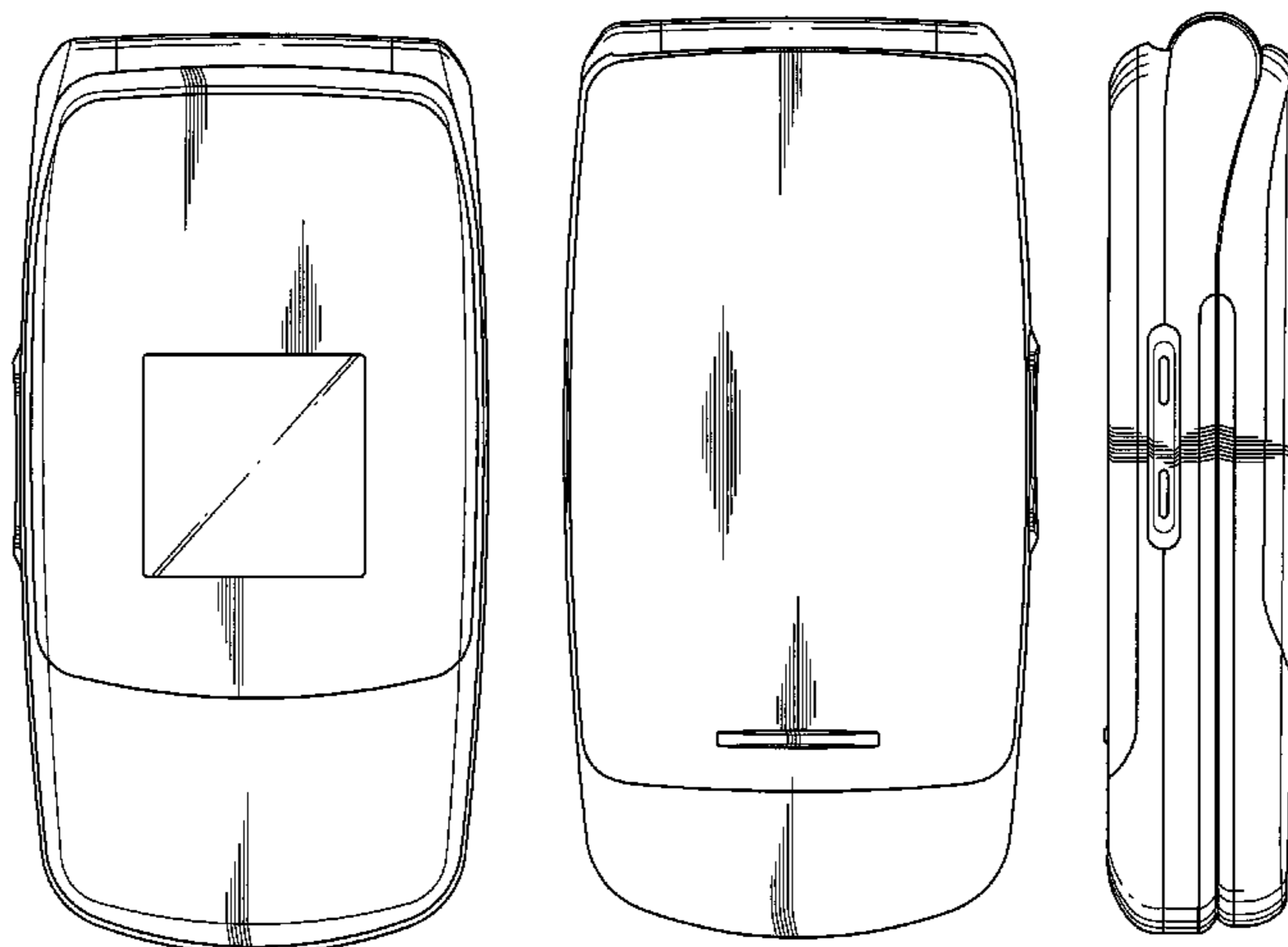
(57) **CLAIM**

The ornamental design for a mobile phone, as shown and described.

DESCRIPTION

FIG. 1 is a perspective view of a mobile phone;
FIG. 2 is a front view of the mobile phone of FIG. 1;
FIG. 3 is a rear view of the mobile phone of FIG. 1;
FIG. 4 is left-side of the mobile phone of FIG. 1;
FIG. 5 is right-side of the mobile phone of FIG. 1;
FIG. 6 is top plan view of the mobile phone of FIG. 1; and,
FIG. 7 is bottom plan view of the mobile phone of FIG. 1.

1 Claim, 5 Drawing Sheets



OTHER PUBLICATIONS

LG L343i telephone, announced Aug. 2006, [online], [site visited Feb. 29, 2008]. Available from Internet ,<URL: <http://www.gsmarena.com>>.*

Sagem my401Ci telephone, announced Mar. 2007, [online], [site visited Feb. 29, 2008]. Available from Internet ,<URL: <http://www.gsmarena.com>>.*

Pantech G800 telephone, announced 2004, [online], [site visited Feb. 29, 2008]. Available from Internet ,<URL: <http://www.gsmarena.com>>.*

Samsung E500 telephone, announced May 2006, [online], [site visited Feb. 29, 2008]. Available from Internet ,<URL: <http://www.gsmarena.com>>.*

Samsung S501i telephone, announced Jul. 2006, [online], [site visited Feb. 29, 2008]. Available from Internet ,<URL: <http://www.gsmarena.com>>.*

LG KG240 telephone, announced Jun. 2006, [online], [site visited Feb. 29, 2008]. Available from Internet ,<URL: <http://www.gsmarena.com>>.*

* cited by examiner

FIG. 1

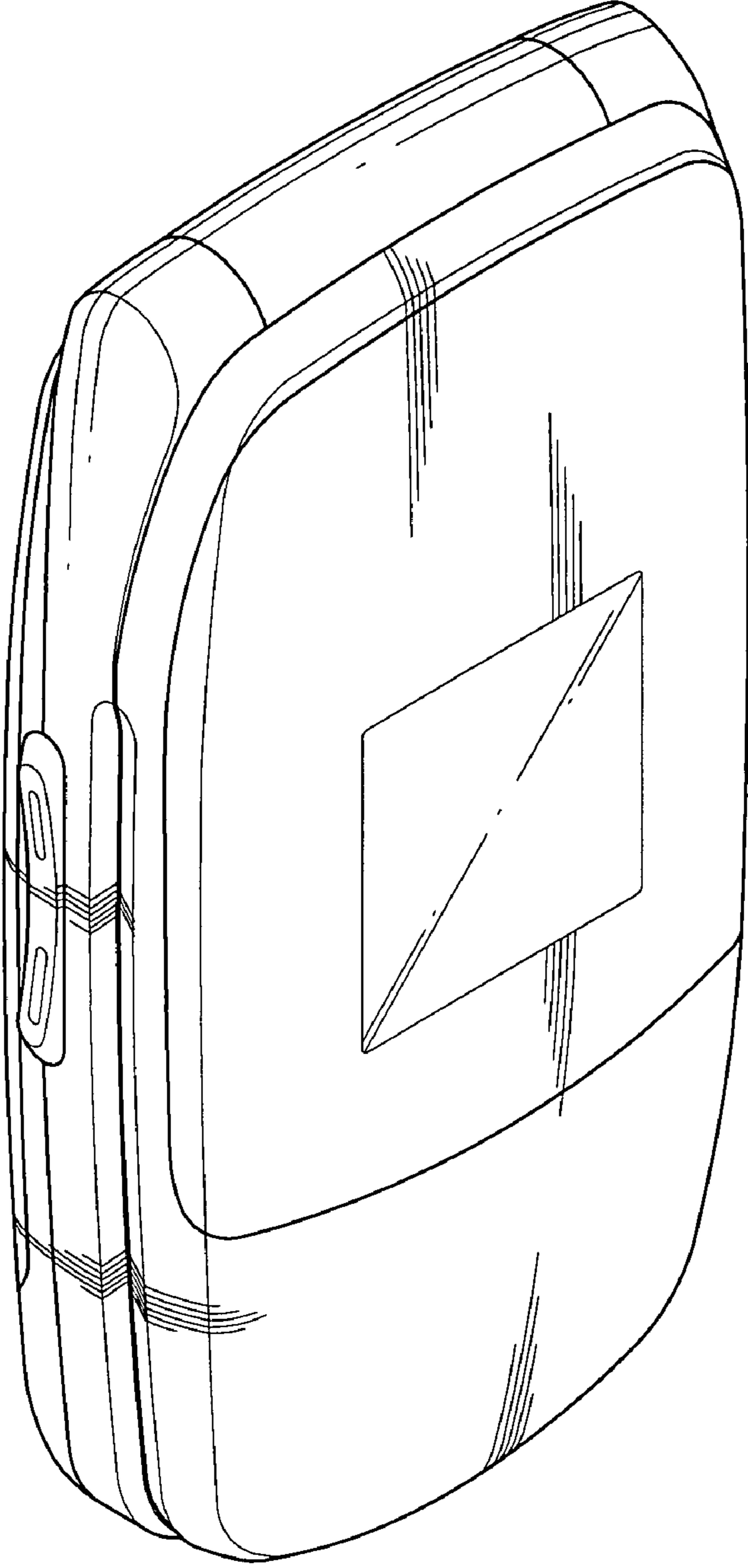


FIG. 2

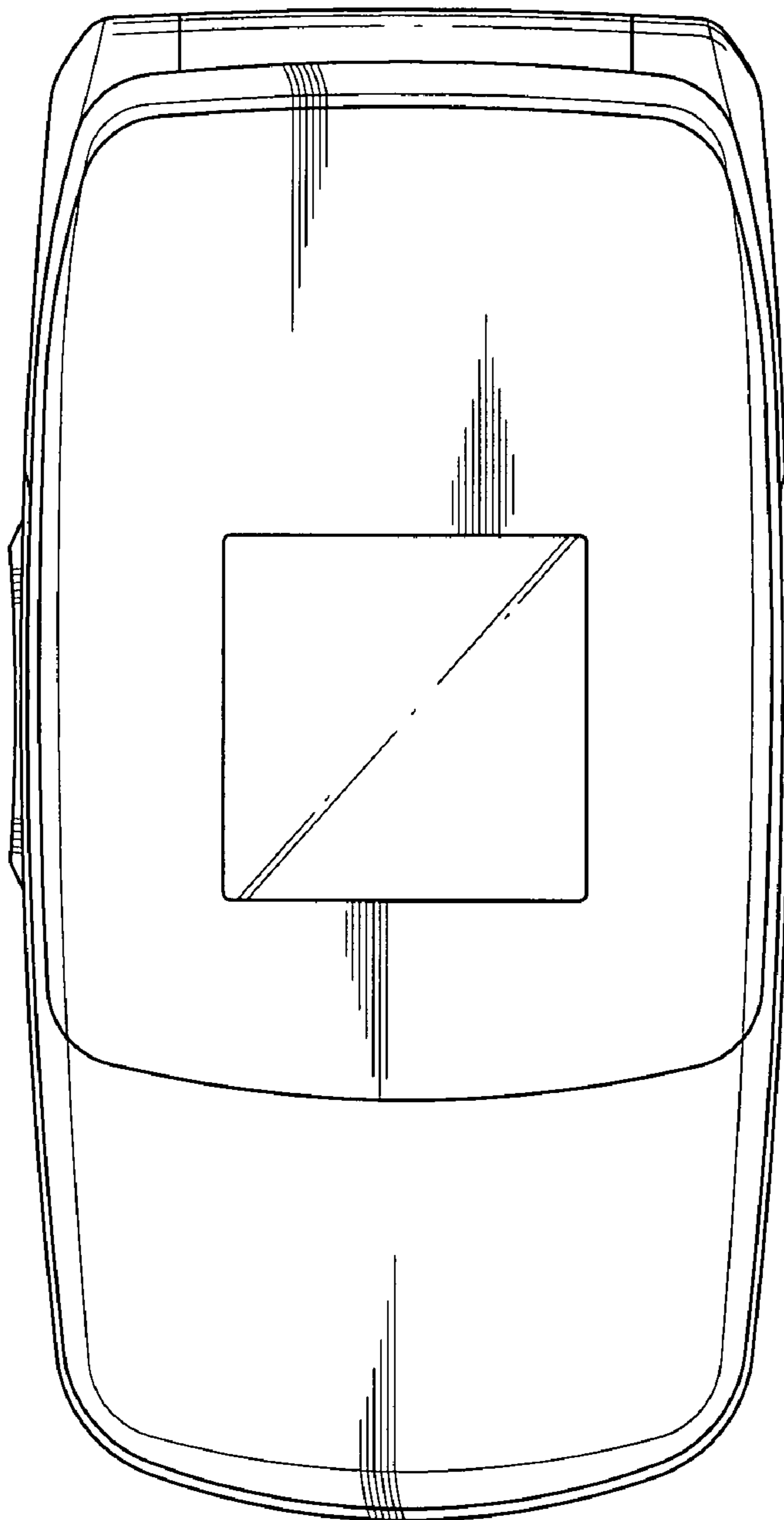


FIG. 3

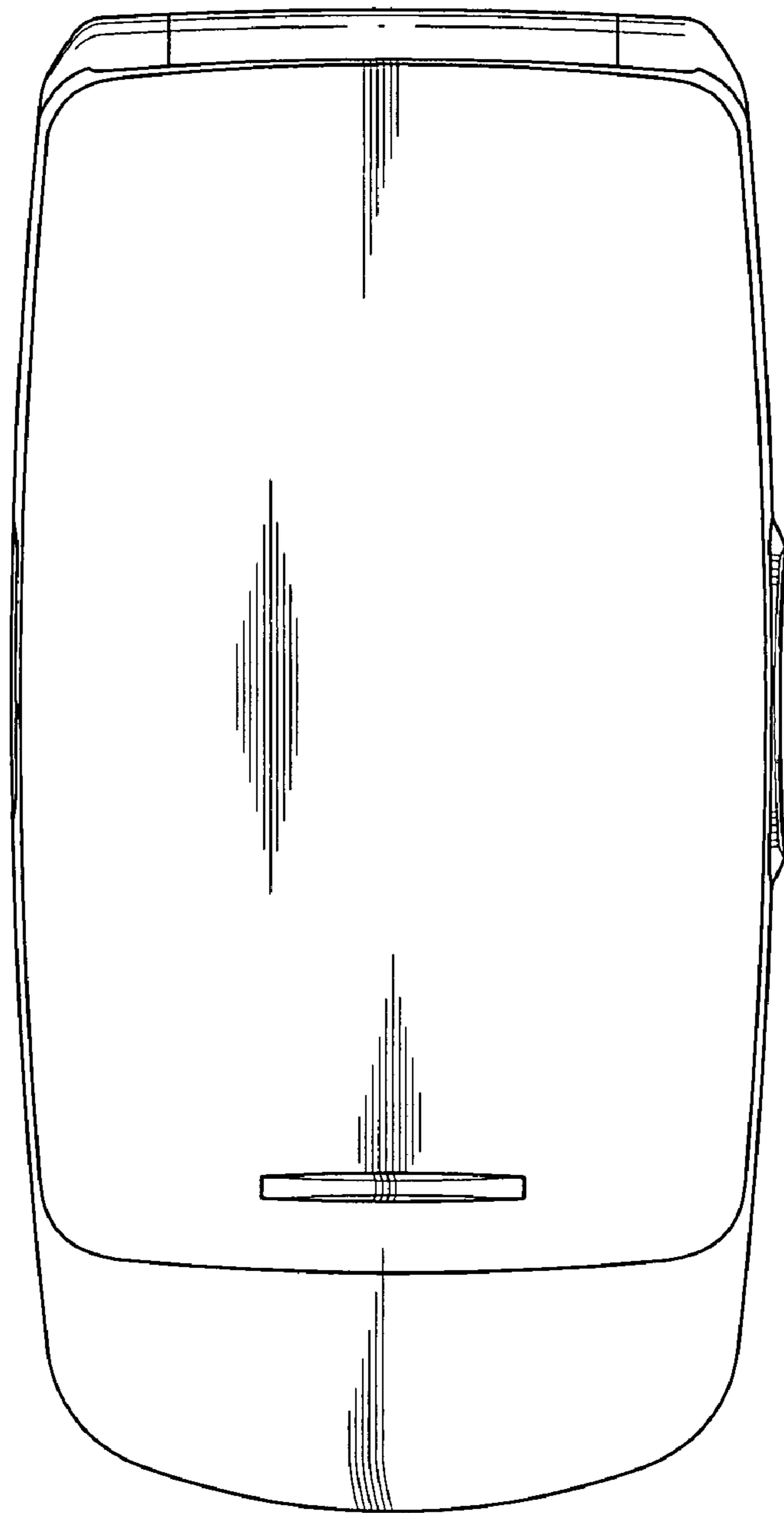


FIG. 4

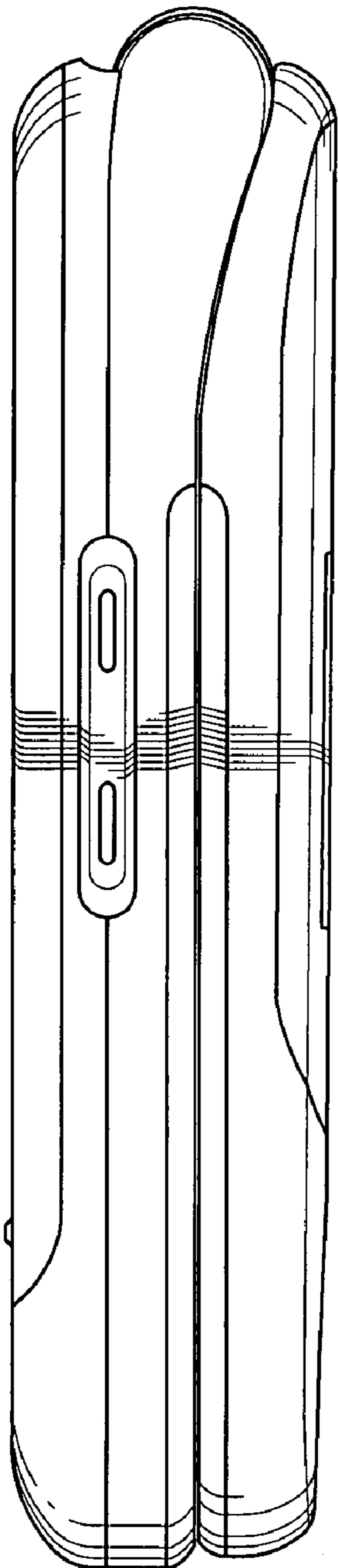


FIG. 5

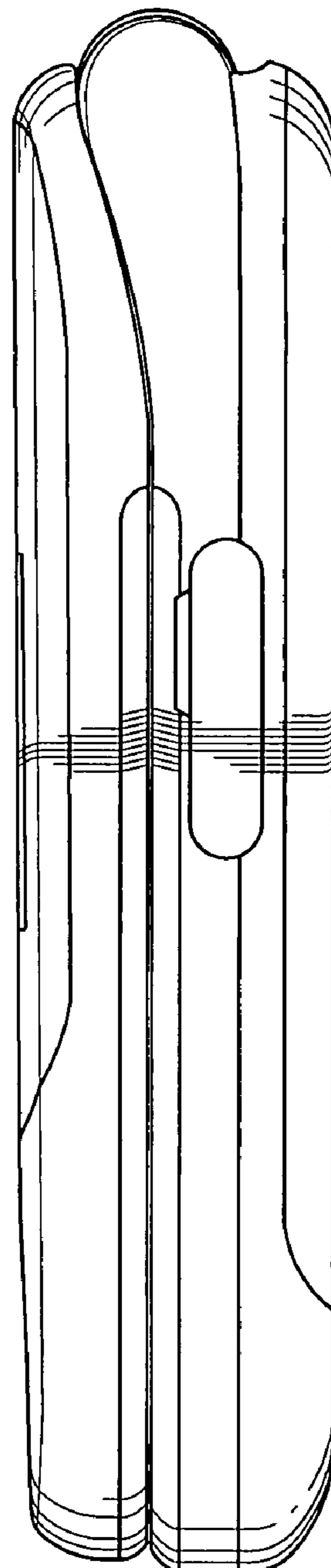


FIG. 6

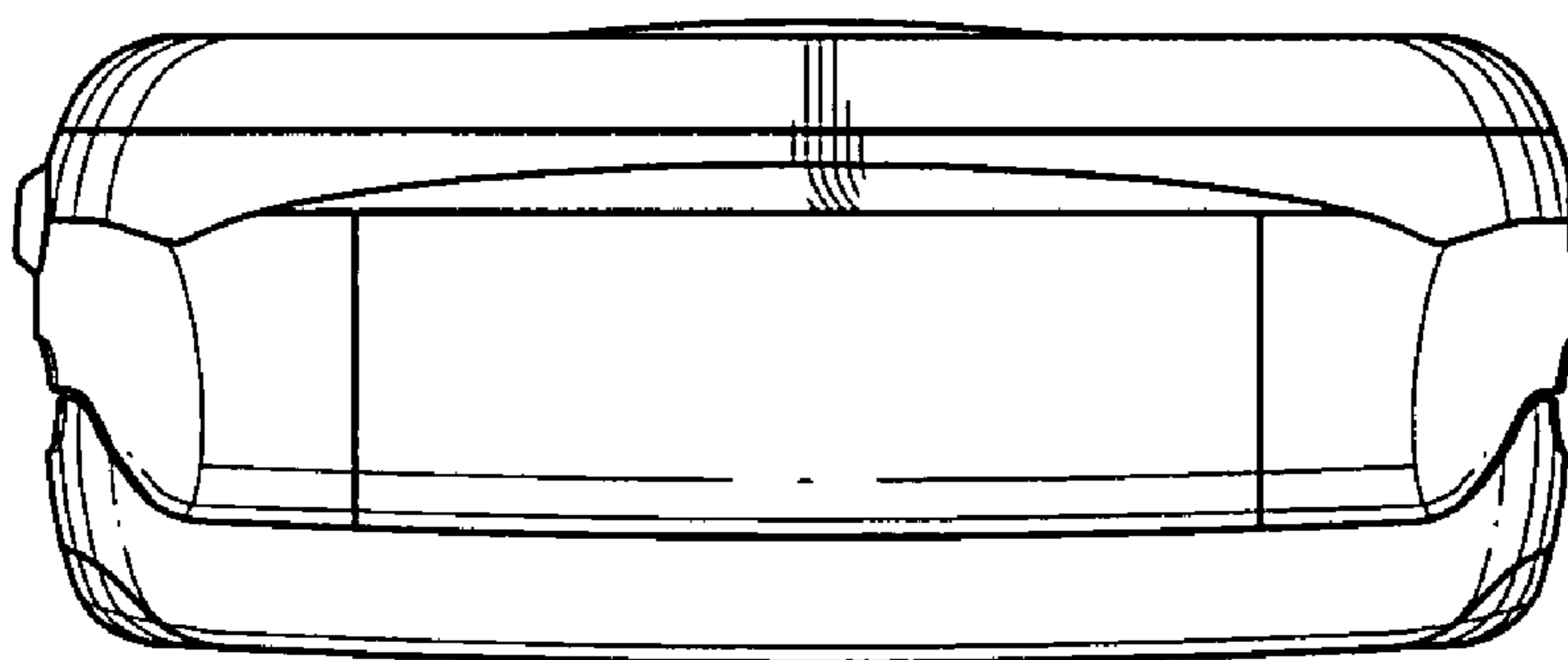
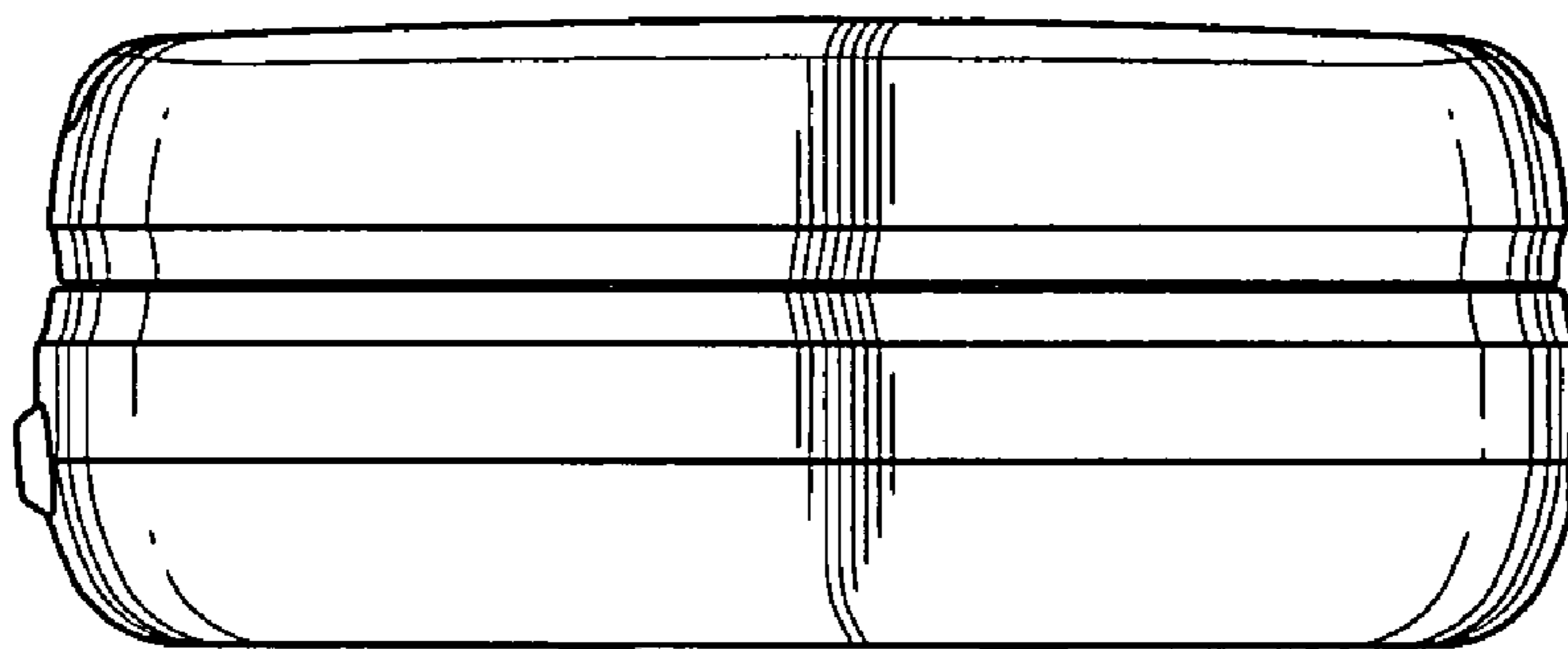


FIG. 7



UNITED STATES PATENT AND TRADEMARK OFFICE
CERTIFICATE OF CORRECTION

PATENT NO. : Des. 578,982 S
APPLICATION NO. : 29/287893
DATED : October 21, 2008
INVENTOR(S) : Jong-Ill Jeong et al.

Page 1 of 1

It is certified that error appears in the above-identified patent and that said Letters Patent is hereby corrected as shown below:

On the Title page, after item (73), please insert the following:

--(*) Notice: This patent is subject to a terminal disclaimer.--

Signed and Sealed this

Third Day of March, 2009



JOHN DOLL
Acting Director of the United States Patent and Trademark Office