



US00D578975S

(12) **United States Design Patent**  
**Mochizuki et al.**

(10) **Patent No.:** **US D578,975 S**  
(45) **Date of Patent:** **\*\* Oct. 21, 2008**

(54) **DIGITAL VIDEO DISC RECORDER**

D547,287 S \* 7/2007 Yuyama ..... D14/136

(75) Inventors: **Kouji Mochizuki**, Kadoma (JP);  
**Takako Uchida**, Kadoma (JP)

(73) Assignee: **Matsushita Electric Industrial Co., Ltd.**, Osaka (JP)

(\*\*) Term: **14 Years**

(21) Appl. No.: **29/295,673**

(22) Filed: **Oct. 3, 2007**

(30) **Foreign Application Priority Data**

Apr. 4, 2007 (JP) ..... 2007-008918

(51) **LOC (8) Cl.** ..... **14-01**

(52) **U.S. Cl.** ..... **D14/136**

(58) **Field of Classification Search** ..... D14/135-136,  
D14/156-157, 167-168, 198, 188, 217, 257,  
D14/258, 445; 360/99.02, 137, 99.07; 369/75.11,  
369/75.21, 77.21, 77.11; 720/612, 619, 647,  
720/655; 455/334, 347-351  
See application file for complete search history.

(56) **References Cited**

**U.S. PATENT DOCUMENTS**

- 4,509,158 A \* 4/1985 Kang ..... 369/77.21
- D515,053 S \* 2/2006 Morita et al. .... D14/136
- D526,634 S 8/2006 Inoue
- D530,690 S \* 10/2006 Takahashi ..... D14/136
- D531,606 S \* 11/2006 Johansson et al. .... D14/136

**OTHER PUBLICATIONS**

Panasonic Corporation of North America, "Panasonic's 2007 DVD Recorder Line Adds Digital Tuners and 1080p Up-Conversion", *Press Release*, Jan. 7, 2007, obtained from the internet address: <<http://www2.panasonic.com/webapp/wcs/stores/servlet/prModelDetail?storeId=11301&catalogId=13251&itemId=104566&modelNo=Content01062007085220398&surfModel=Content01062007085220398>> on Aug. 21, 2007, 3 pages.

Panasonic Consumer Electronics Company, "2007 DVD Recorders - DIGA", *Brochure*, 2007, 16 pages.

\* cited by examiner

*Primary Examiner*—Nanda Bondade

(74) *Attorney, Agent, or Firm*—Brinks Hofer Gilson & Lione

(57) **CLAIM**

The ornamental design for a digital video disc recorder, as shown and described.

**DESCRIPTION**

FIG. 1 is a top perspective view of a digital video disc recorder of the present invention;

FIG. 2 is a front view thereof;

FIG. 3 is a rear view thereof;

FIG. 4 is a top view thereof;

FIG. 5 is a bottom view thereof;

FIG. 6 is a first side view thereof; and,

FIG. 7 is a second side view thereof.

**1 Claim, 4 Drawing Sheets**

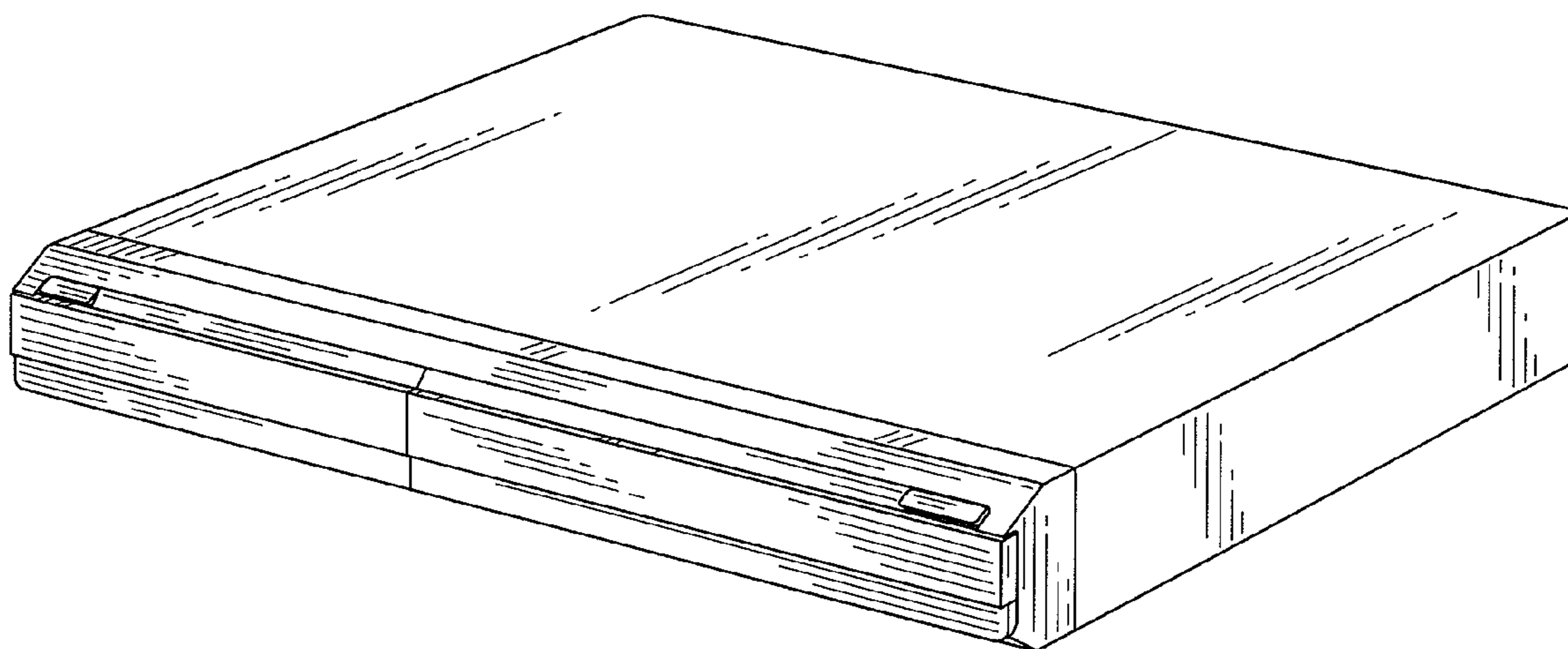


FIG. 1

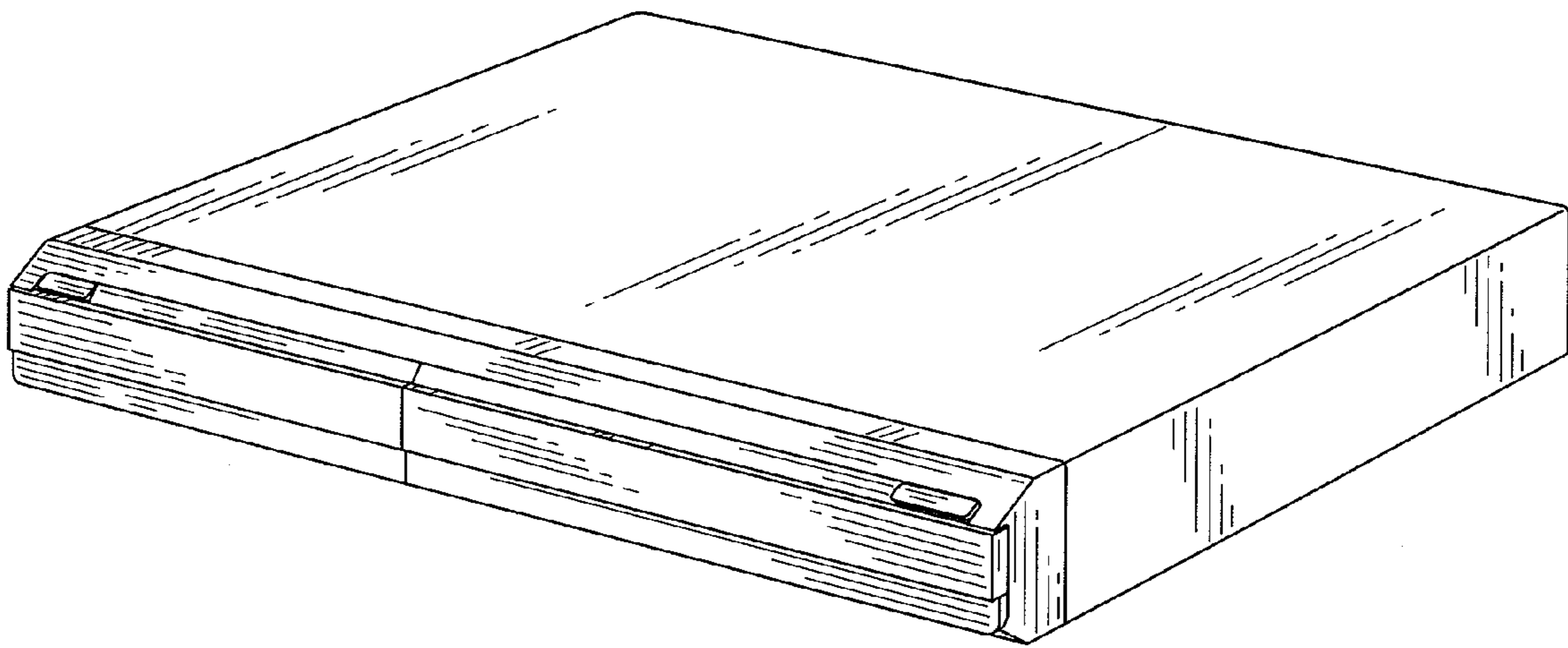


FIG.2

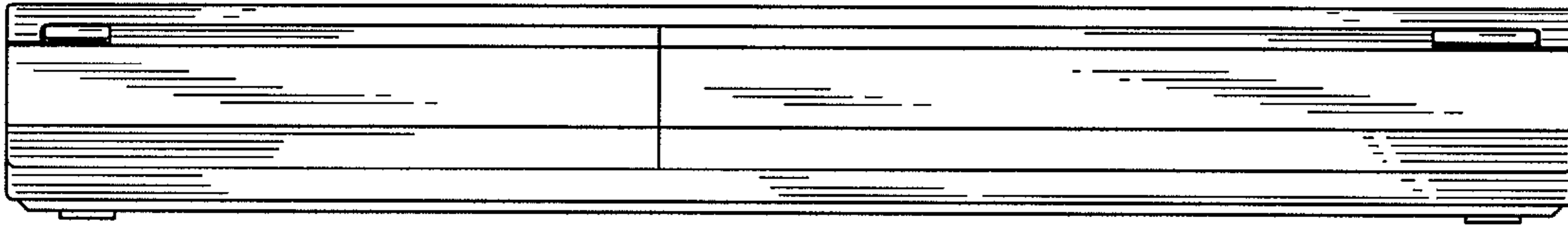


FIG.3

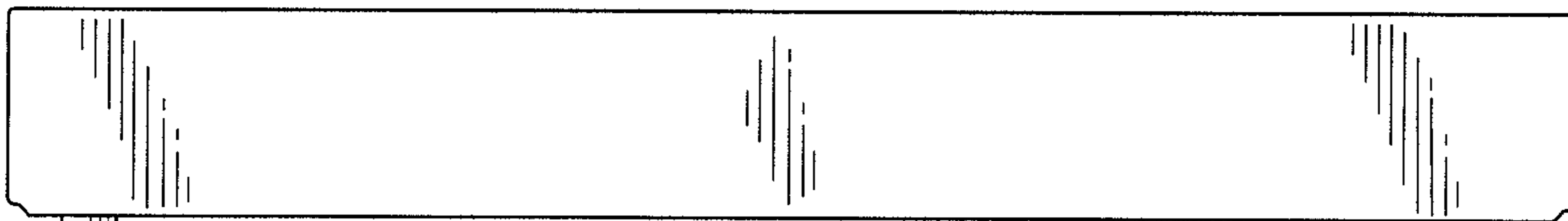


FIG.4

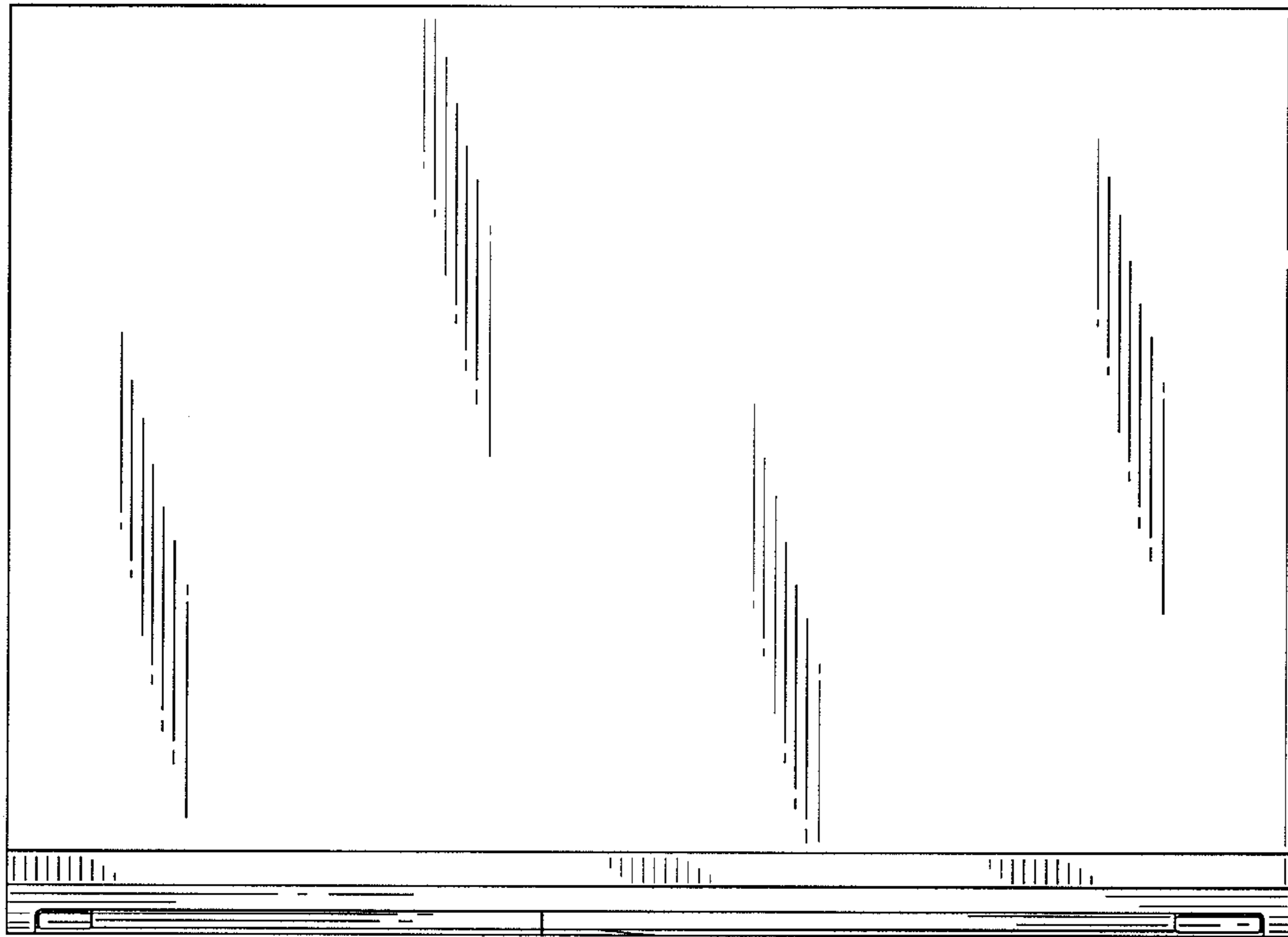


FIG.5

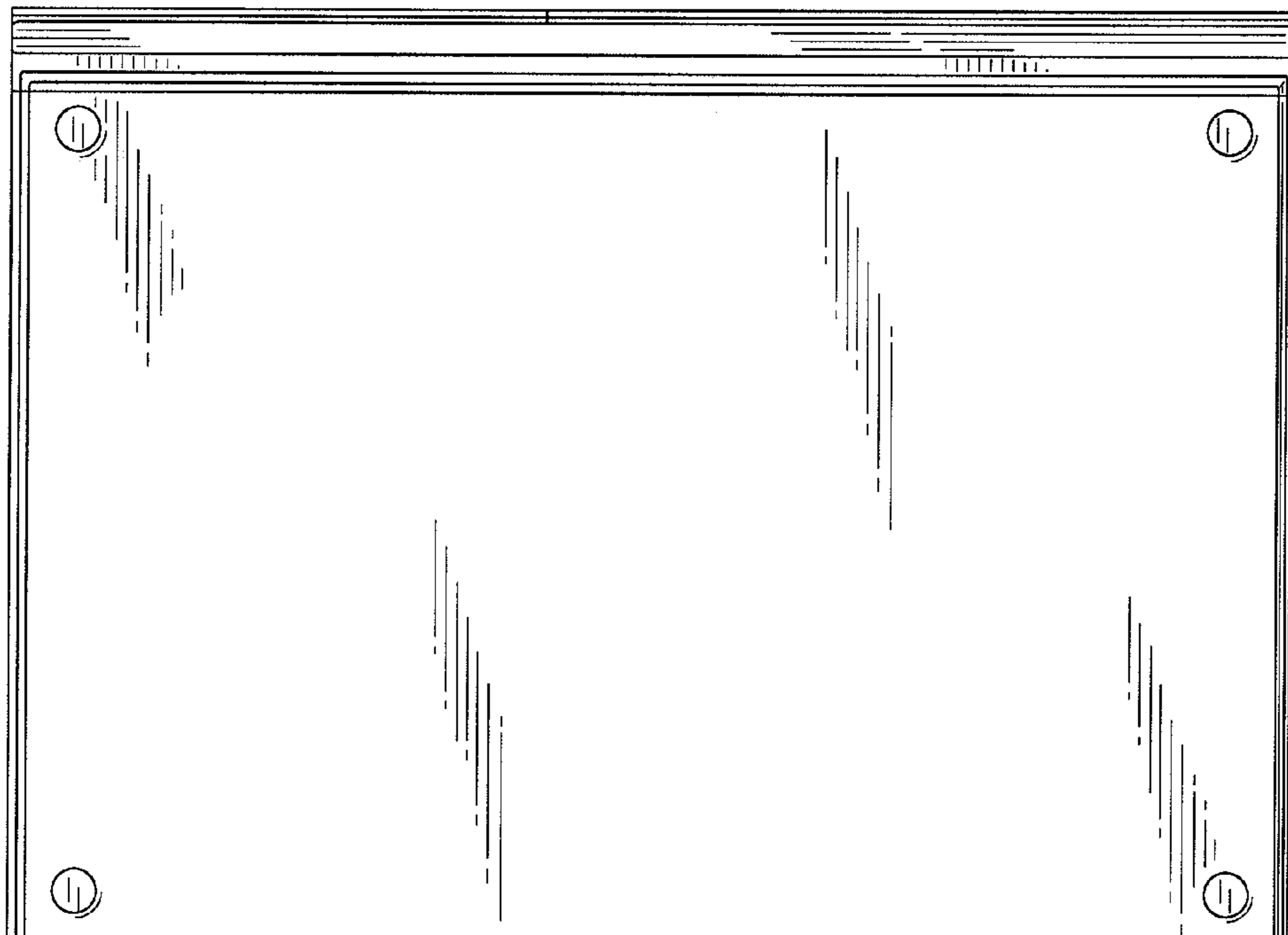


FIG.6

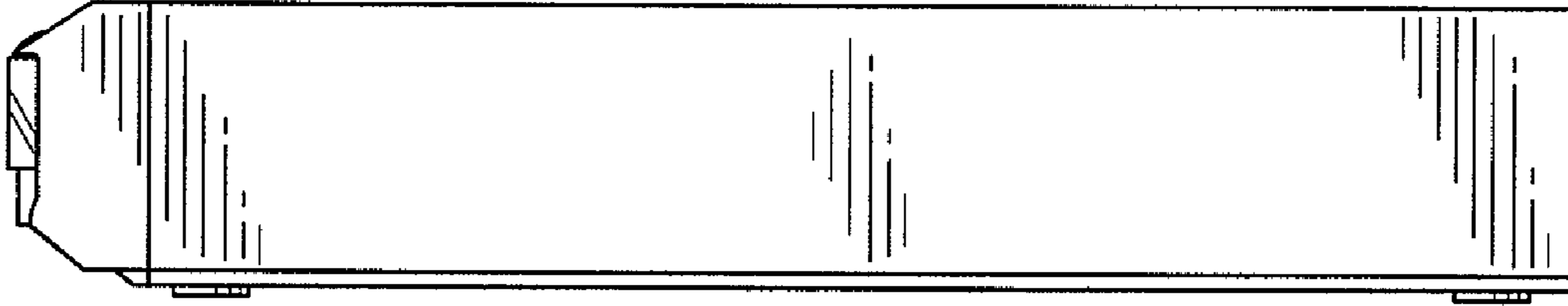


FIG.7

