



US00D578974S

(12) **United States Design Patent**
Miyawaki

(10) **Patent No.:** **US D578,974 S**
(45) **Date of Patent:** **** Oct. 21, 2008**

(54) **DIGITAL AUDIO PLAYER**

(75) Inventor: **Masayuki Miyawaki**, Chigasaki (JP)

(73) Assignee: **Clarion Co., Ltd.**, Tokyo (JP)

(**) Term: **14 Years**

(21) Appl. No.: **29/292,827**

(22) Filed: **Oct. 30, 2007**

(51) **LOC (8) Cl.** **14-03**

(52) **U.S. Cl.** **D14/132**

(58) **Field of Classification Search** D14/125-134,
D14/239, 371, 136, 374-377, 440, 450, 448,
D14/336, 342; 312/7.2; 348/836, 838, 180,
348/184, 325, 739; 341/12; 248/917-924,
248/465; 345/104, 133, 156, 168, 87, 173;
720/605, 669, 600, 655; 369/99, 197; 455/344,
455/347; D21/329, 515, 577, 622, 333, 433,
D21/448, 452, 450, 331; D6/477, 479; 273/148 B;
446/484, 175, 356; D10/15, 26
See application file for complete search history.

(56) **References Cited**

U.S. PATENT DOCUMENTS

2,816,177 A * 12/1957 Logan 369/26.01
6,168,250 B1 * 1/2001 Rogov 312/294
D454,122 S * 3/2002 Hori et al. D14/132
D513,609 S * 1/2006 Nishii et al. D14/132
D515,064 S * 2/2006 Seshita D14/157
D533,859 S * 12/2006 Nishii et al. D14/132
D550,637 S * 9/2007 Iwamoto et al. D14/132
D551,195 S * 9/2007 Uno D14/129
D564,473 S * 3/2008 Nemoto D14/129
D564,474 S * 3/2008 Miyawaki D14/129

FOREIGN PATENT DOCUMENTS

JP D 10-75380 6/2000
JP D 10-99489 2/2001
JP D 11-16273 7/2001
JP D 11-60841 12/2002
JP D 11-71428 4/2003

JP D 11-73565 5/2003
JP D 11-86049 9/2003
JP D 11-86115 9/2003
JP D 12-00871 4/2004
JP D 12-10381 6/2004
JP D 12-37673 4/2005
JP D 12-44146 6/2005
JP D 12-80266 9/2006
JP D 12-81560 9/2006

(Continued)

Primary Examiner—Raphael Barkai

(74) *Attorney, Agent, or Firm*—Oliff & Berridge, PLC

(57) **CLAIM**

The ornamental design for a digital audio player, as shown and described.

DESCRIPTION

FIG. 1 is a perspective view of a digital audio player showing a display in an upright position;

FIG. 2 is a front view thereof;

FIG. 3 is a rear view thereof;

FIG. 4 is a side view thereof, the opposite side view being a mirror image;

FIG. 5 is a top view thereof;

FIG. 6 is a bottom view thereof;

FIG. 7 is a perspective view of the digital audio player showing the display in a closed position;

FIG. 8 is a front view thereof;

FIG. 9 is a rear view thereof;

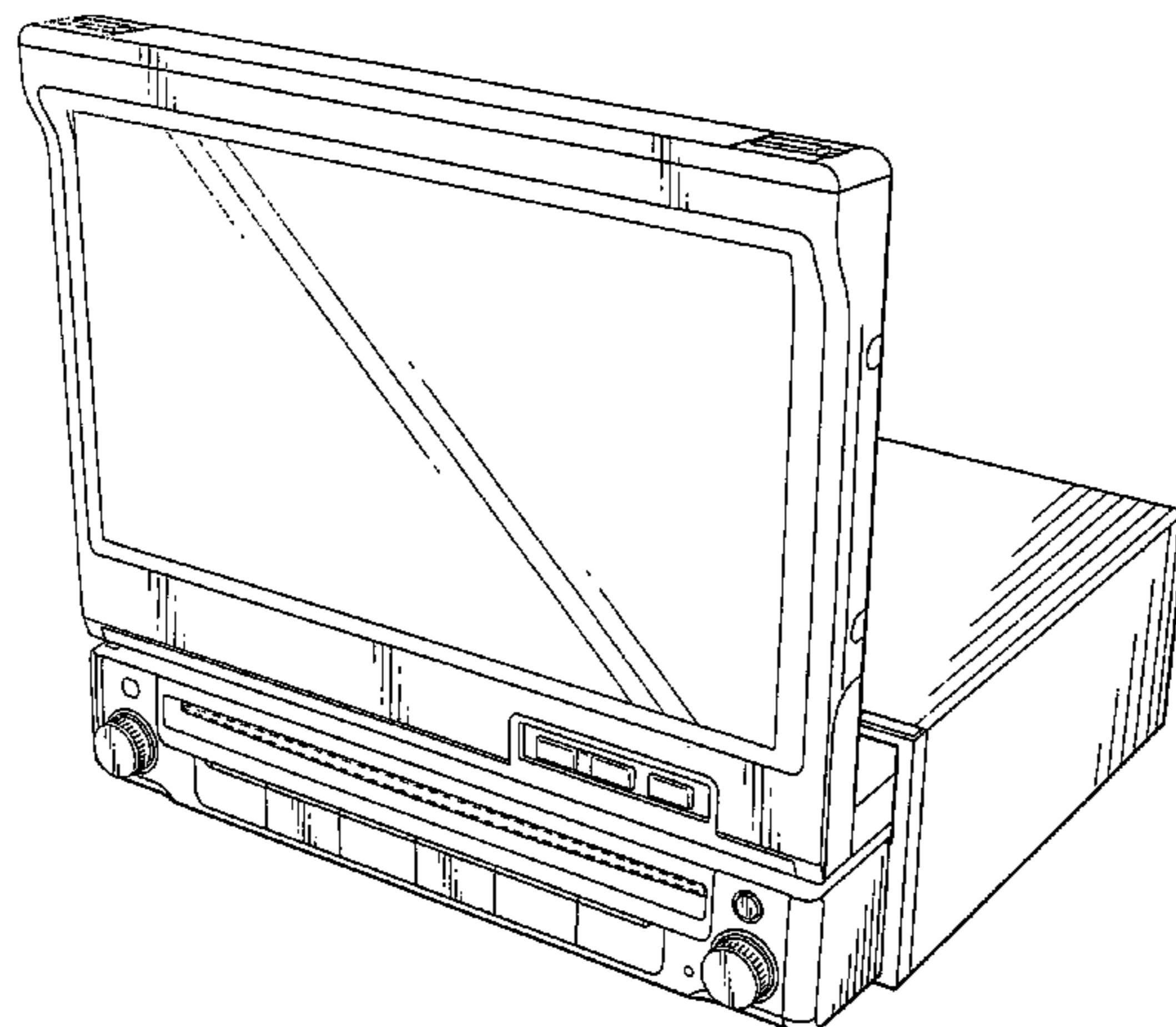
FIG. 10 is a side view thereof, the opposite side view being a mirror image;

FIG. 11 is a top view thereof; and,

FIG. 12 is a bottom view thereof.

The broken lines depict environmental subject matter only and form no part of the claimed design.

1 Claim, 10 Drawing Sheets



US D578,974 S

Page 2

FOREIGN PATENT DOCUMENTS					
			JP	D 2007-019210	7/2007
			JP	D 2007-019211	7/2007
			JP	D 2007-019212	7/2007
			JP	D 13-09487	9/2007
			JP	D 13-09488	9/2007
			JP	D 13-09506	9/2007
			* cited by examiner		
JP	D 12-90599	1/2007			
JP	D 12-94852	2/2007			
JP	D 13-06762	7/2007			
JP	D 2007-017973	7/2007			
JP	D 2007-019208	7/2007			
JP	D 2007-019209	7/2007			

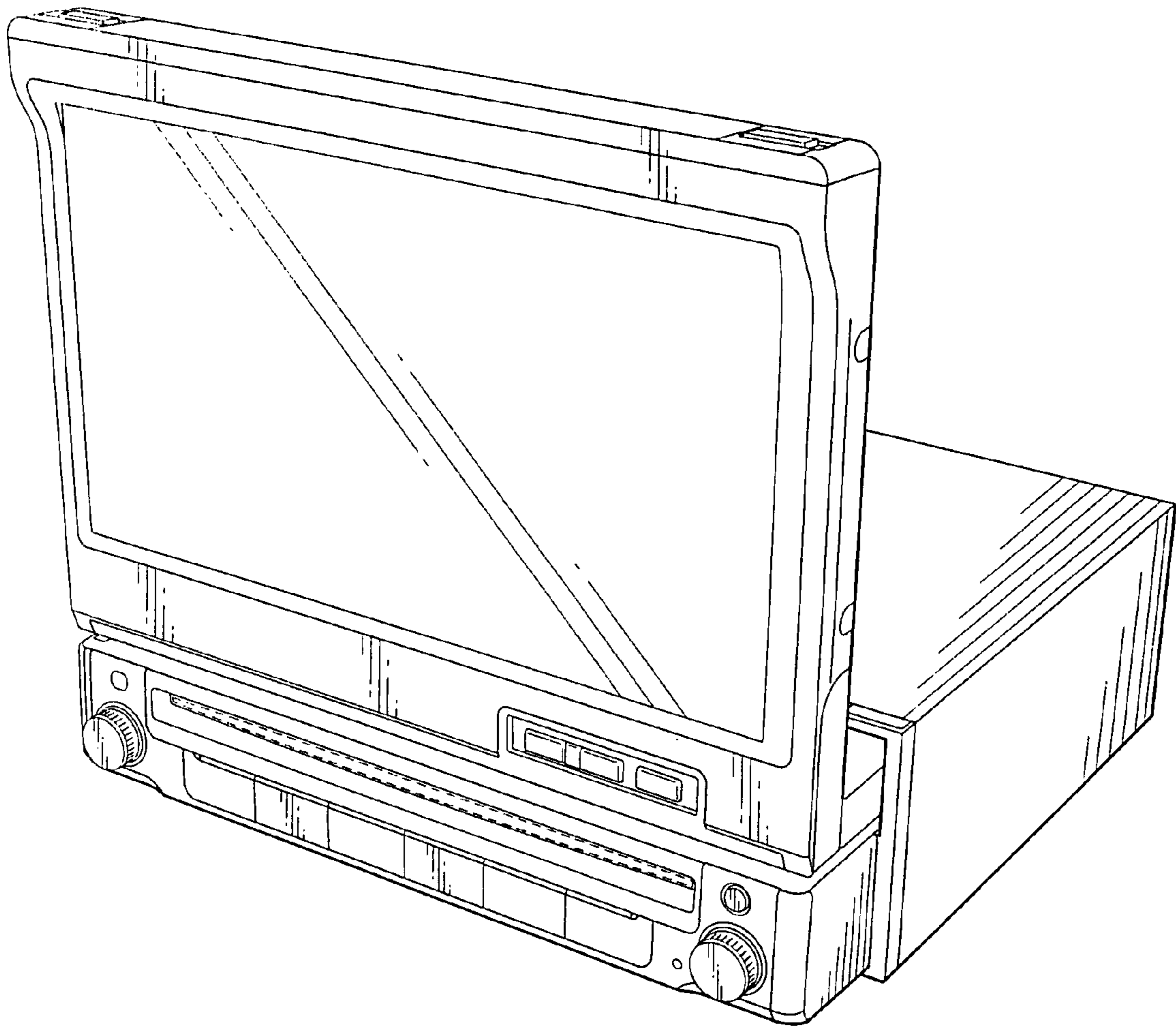


FIG.1

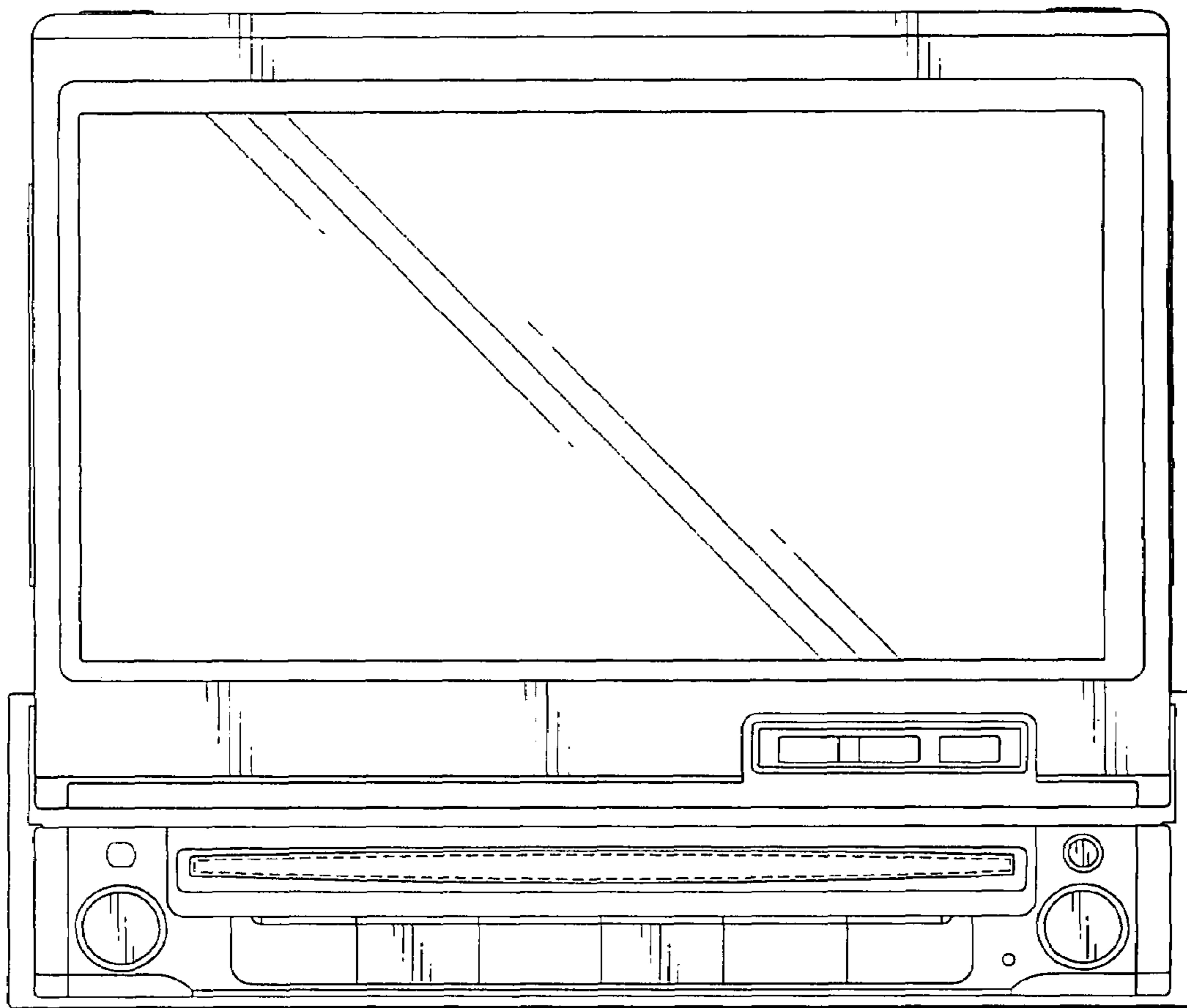


FIG. 2

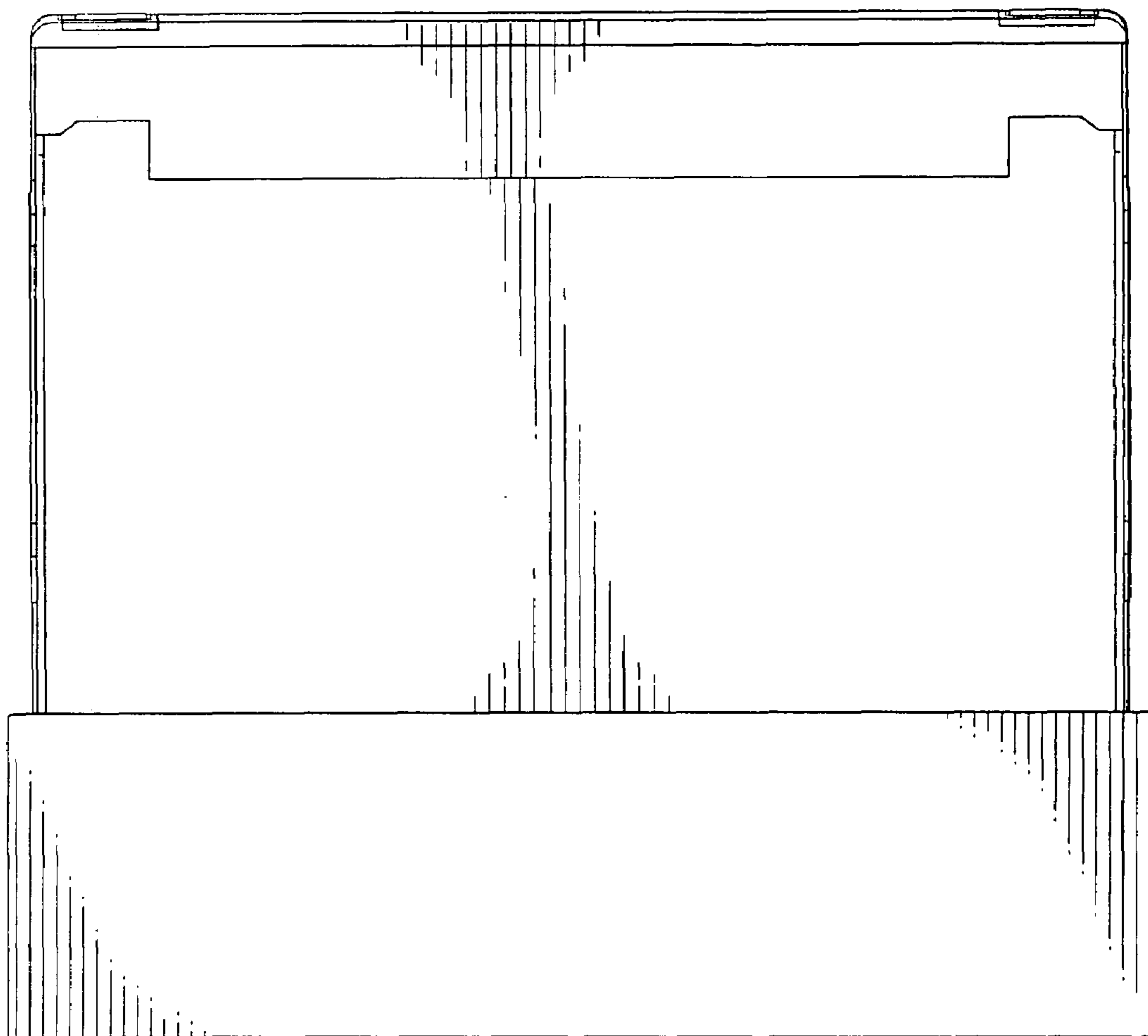


FIG.3

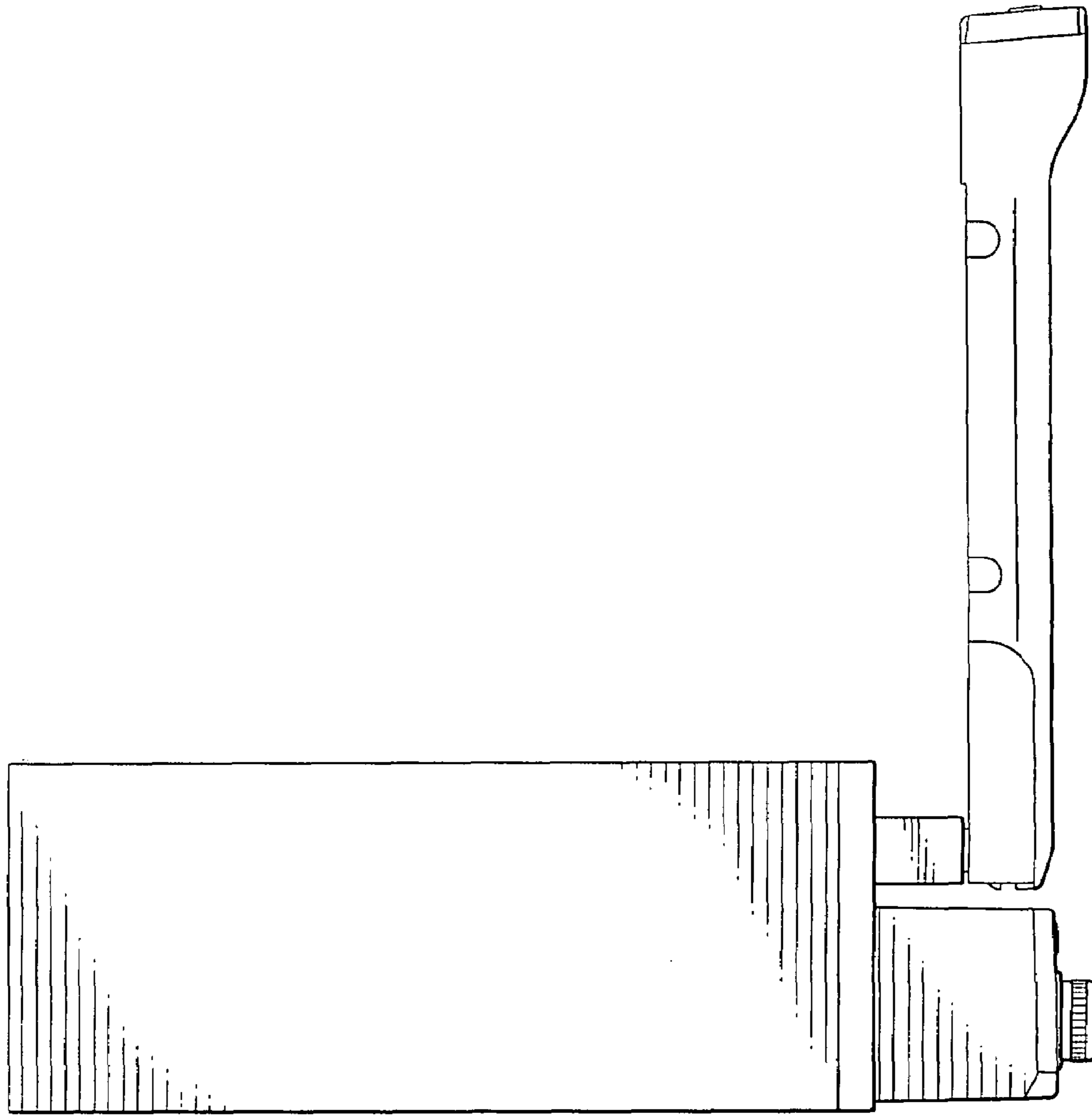


FIG. 4

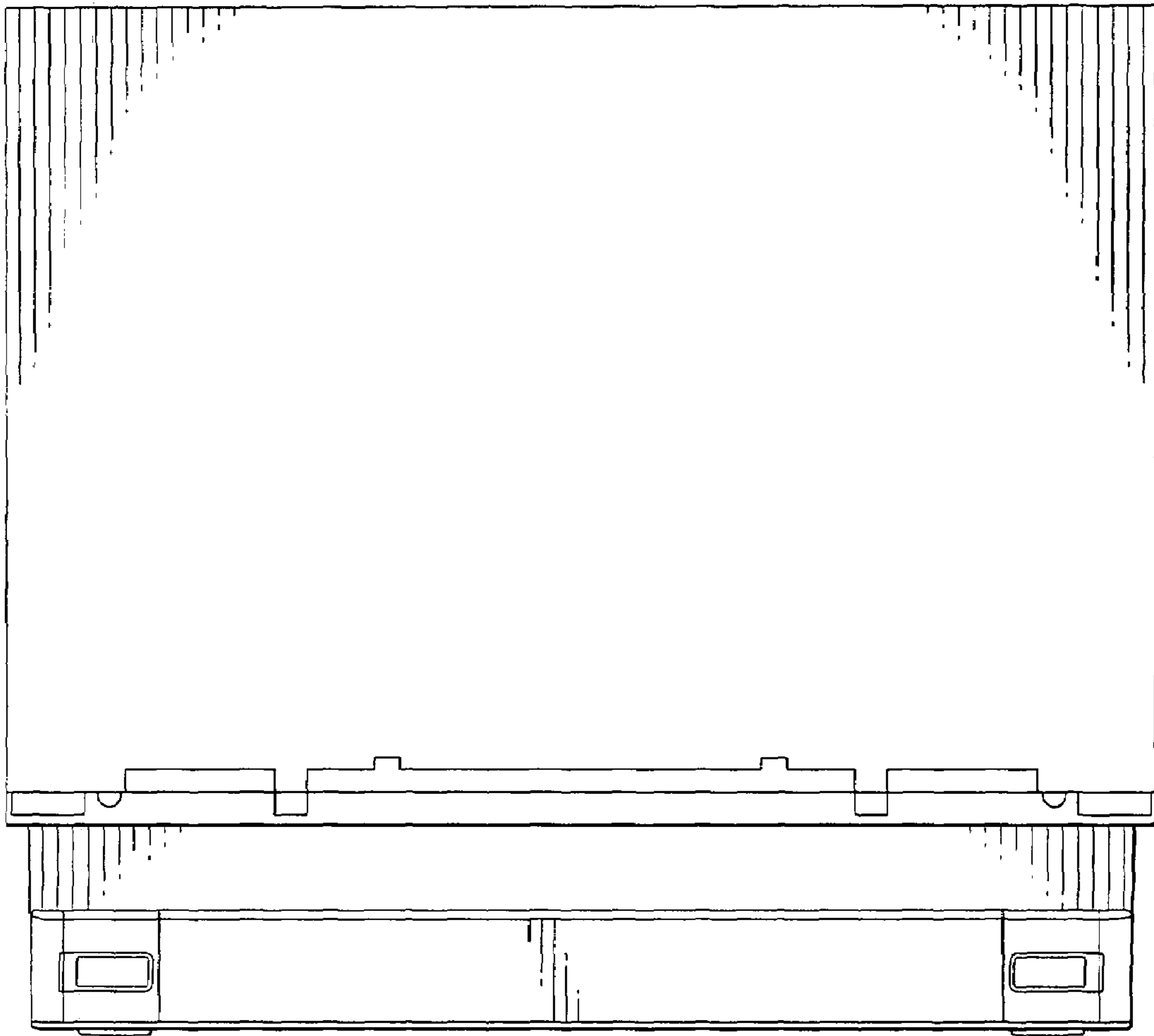


FIG.5

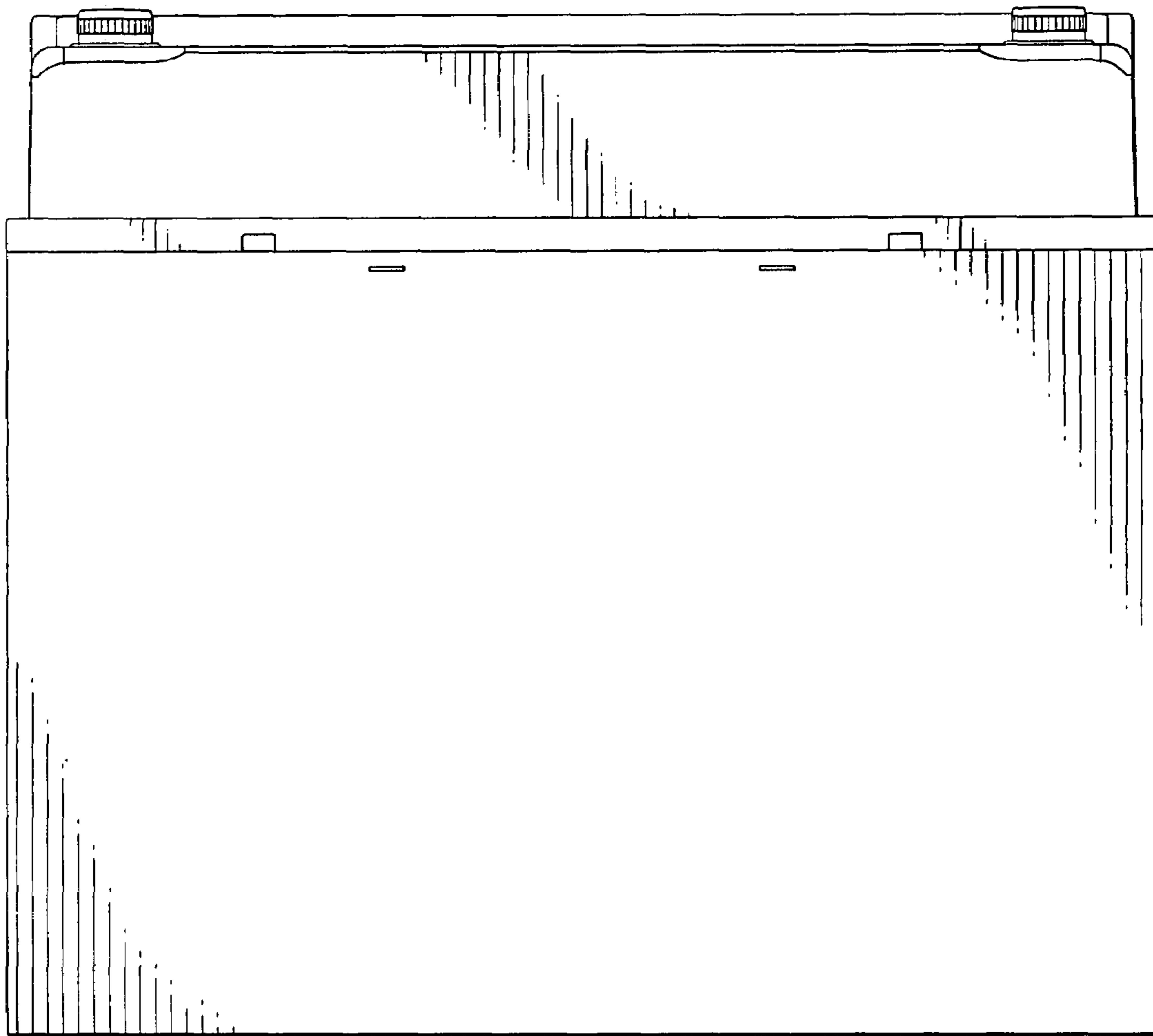


FIG.6

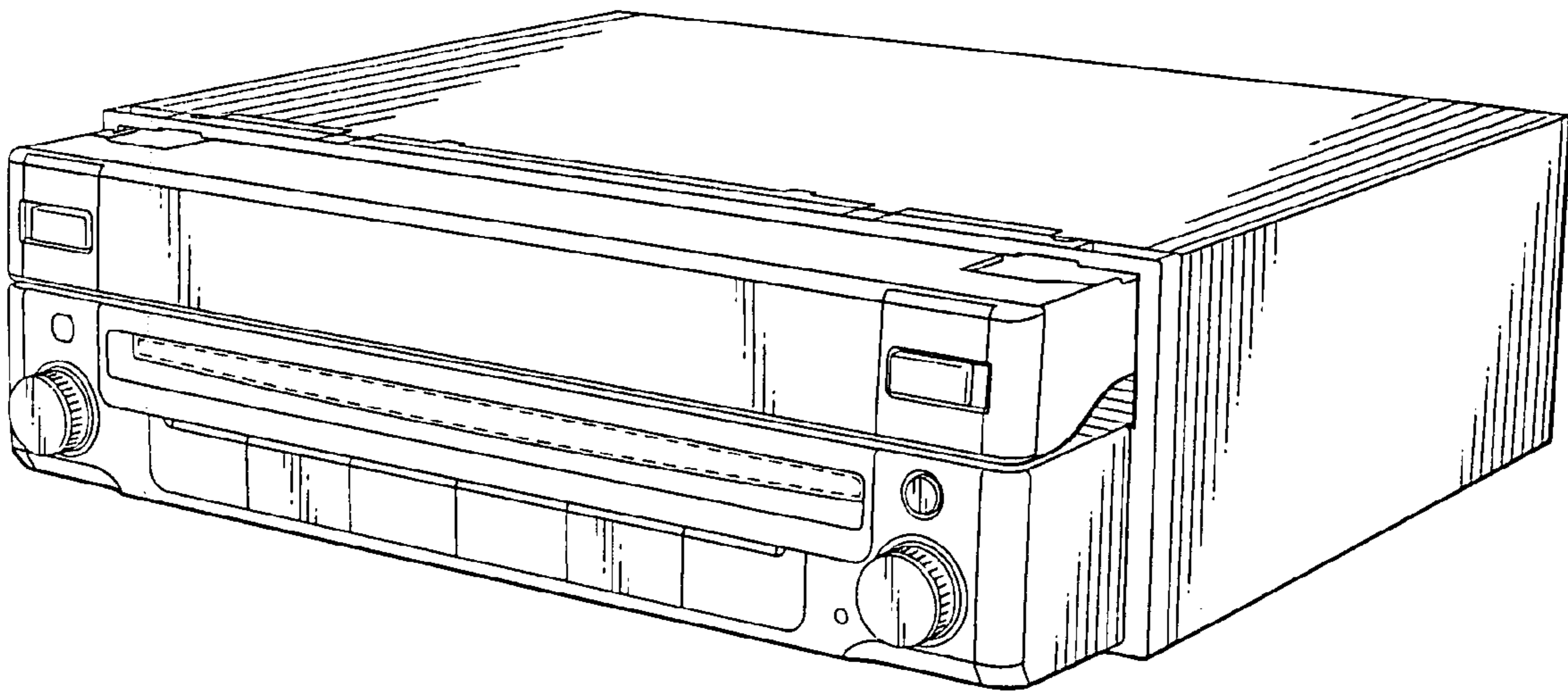


FIG. 7

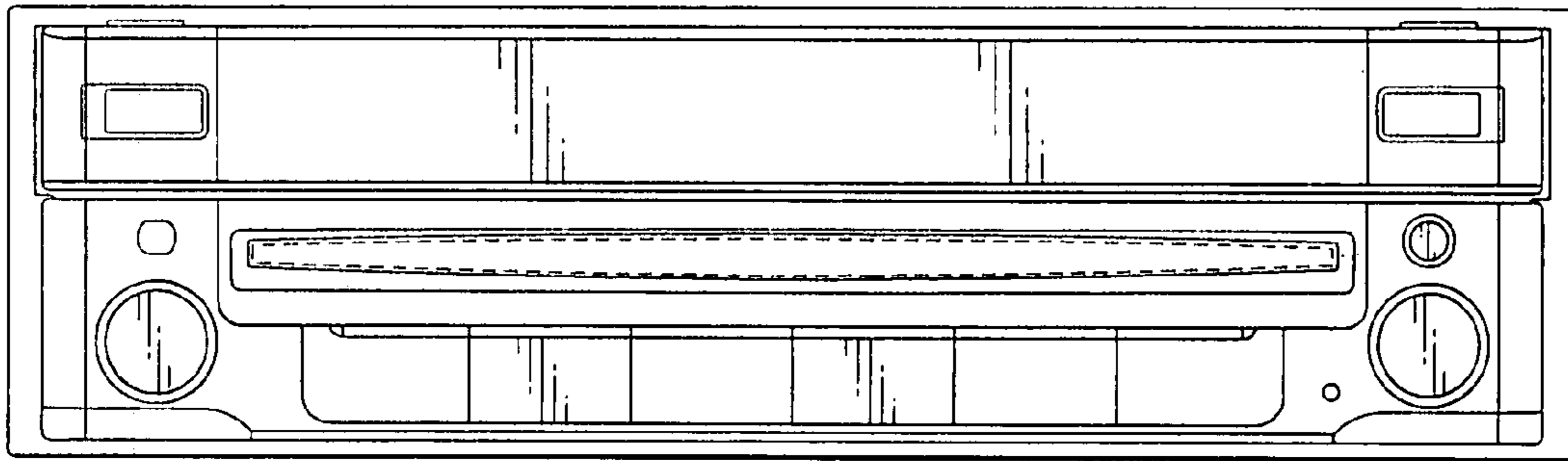


FIG. 8

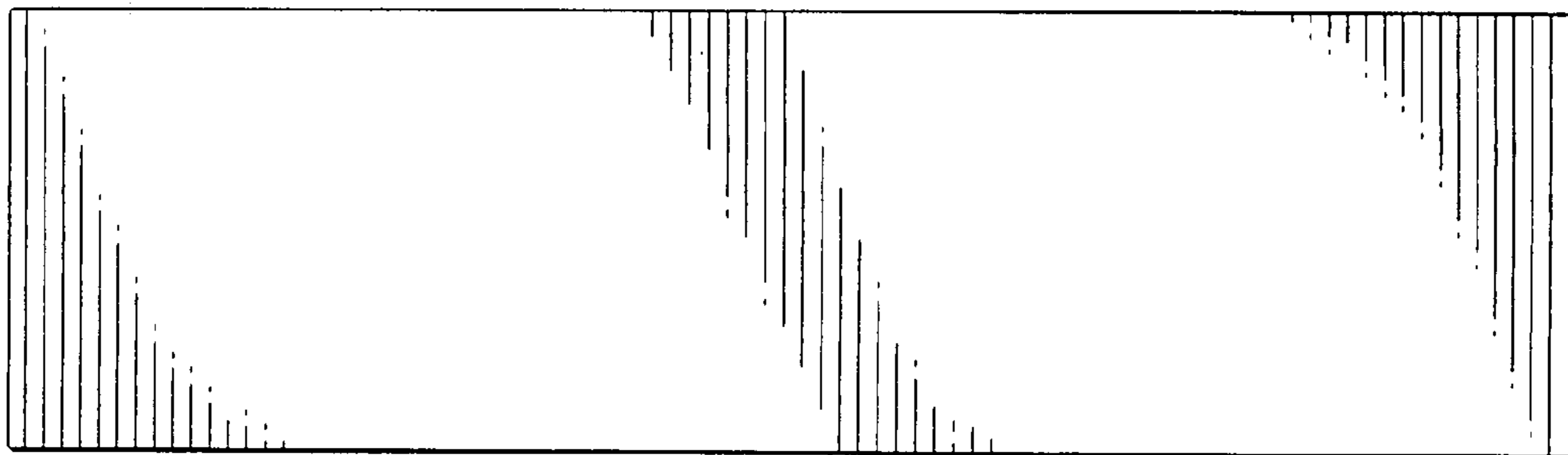


FIG. 9

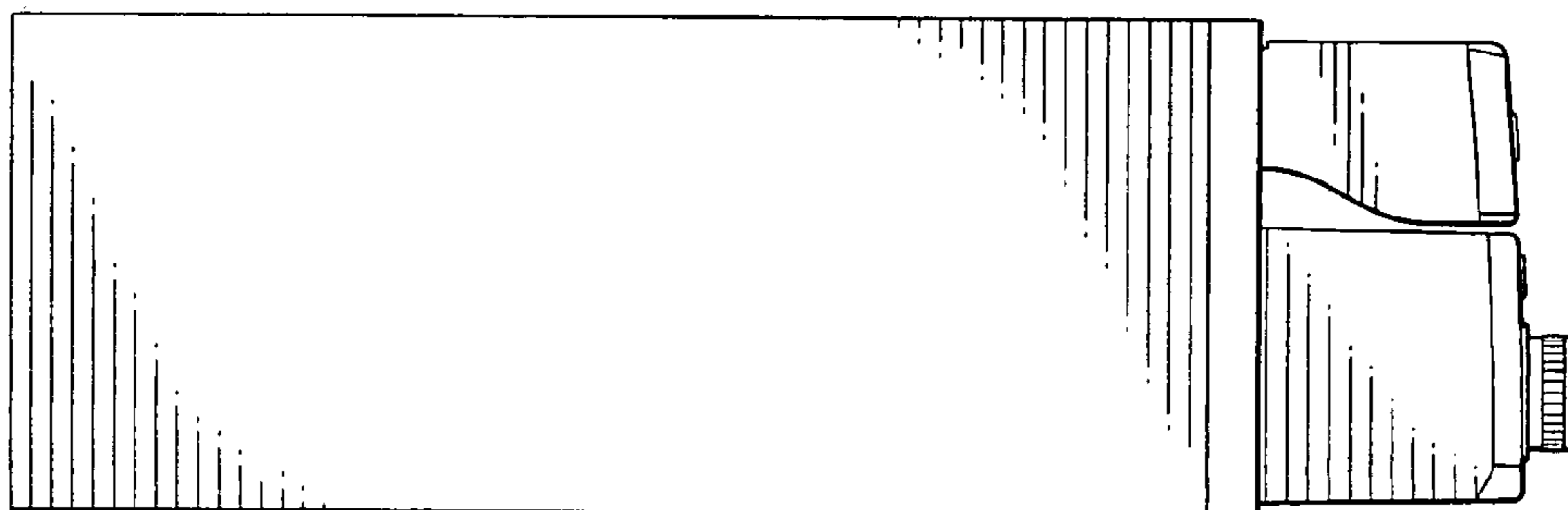


FIG. 10

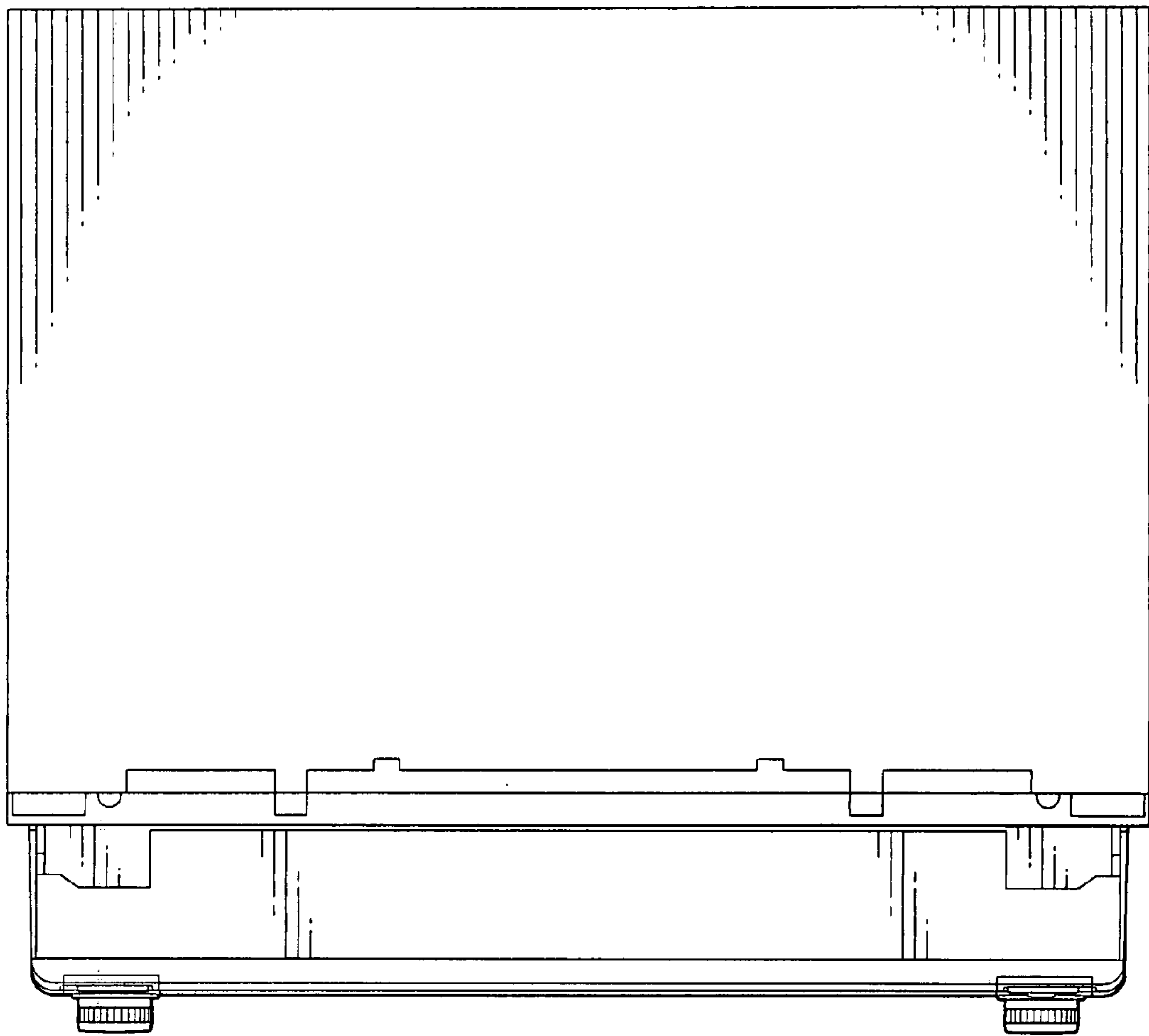


FIG.11

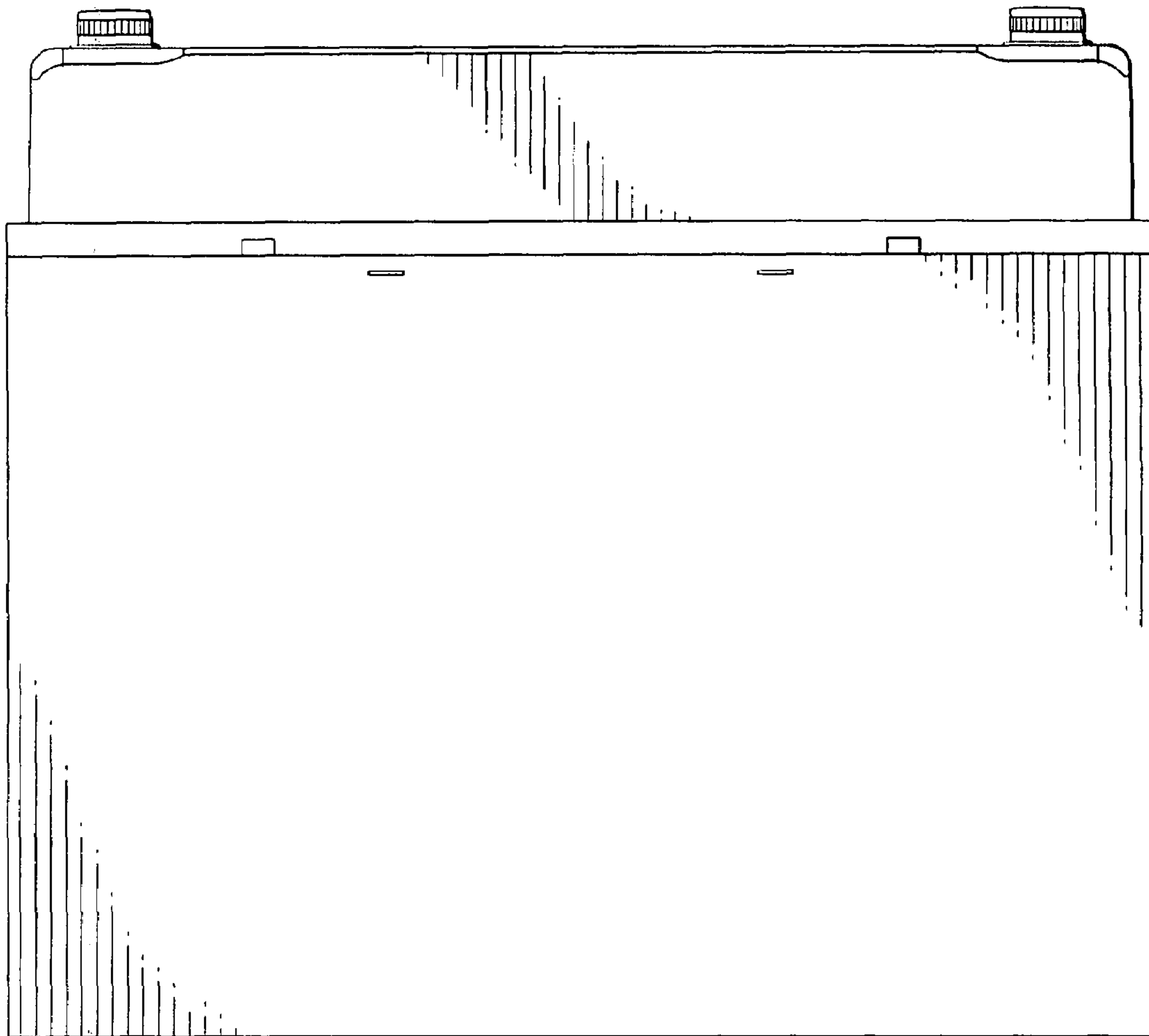


FIG.12