



US00D578972S

(12) **United States Design Patent**
Oh et al.

(10) **Patent No.:** **US D578,972 S**
(45) **Date of Patent:** **** Oct. 21, 2008**

(54) **TELEVISION**

(75) Inventors: **Seung Ho Oh**, Gwangmyeong-si (KR);
Tae Uk Kim, Seoul (KR)

(73) Assignee: **LG Electronics Inc.**, Seoul (KR)

(**) Term: **14 Years**

(21) Appl. No.: **29/290,537**

(22) Filed: **Dec. 14, 2007**

(30) **Foreign Application Priority Data**

Jun. 19, 2007 (KR) 30-2007-0026280

(51) **LOC (8) Cl.** **14-03**

(52) **U.S. Cl.** **D14/126**

(58) **Field of Classification Search** D14/125-134,
D14/239, 371, 136, 374-377, 440, 450, 448,
D14/336, 342; 312/7.2; 348/836, 838, 180,
348/184, 325, 739; 341/12; 248/917-924,
248/465; 345/104, 133, 156, 168, 87, 173;
720/605, 669, 600, 655; 369/99, 197; 455/344-347;
D21/329, 515, 577, 622, 333, 433, 448, 452,
D21/450, 331; D6/477, 479; 273/148 B;
446/484, 175, 356; D10/15, 26

See application file for complete search history.

(56) **References Cited**

U.S. PATENT DOCUMENTS

D482,339 S * 11/2003 Yin et al. D14/134

D484,860 S * 1/2004 Kubota D14/239
D487,433 S * 3/2004 Kanatani D14/126
D501,451 S * 2/2005 Harata D14/126
D539,241 S * 3/2007 Peng D14/126
D546,299 S * 7/2007 Honda et al. D14/126
D547,278 S * 7/2007 Cheng D14/126

* cited by examiner

Primary Examiner—Raphael Barkai

(74) *Attorney, Agent, or Firm*—Morgan, Lewis & Bockius
LLP

(57) **CLAIM**

The ornamental design for a television, as shown and
described.

DESCRIPTION

FIG. 1 is a front, right perspective of the television showing
my new design;

FIG. 2 is a front view thereof;

FIG. 3 is a rear view thereof;

FIG. 4 is a left side view thereof,

FIG. 5 is a right side view thereof,

FIG. 6 is a top plan view thereof; and,

FIG. 7 is a bottom plan view thereof.

1 Claim, 7 Drawing Sheets

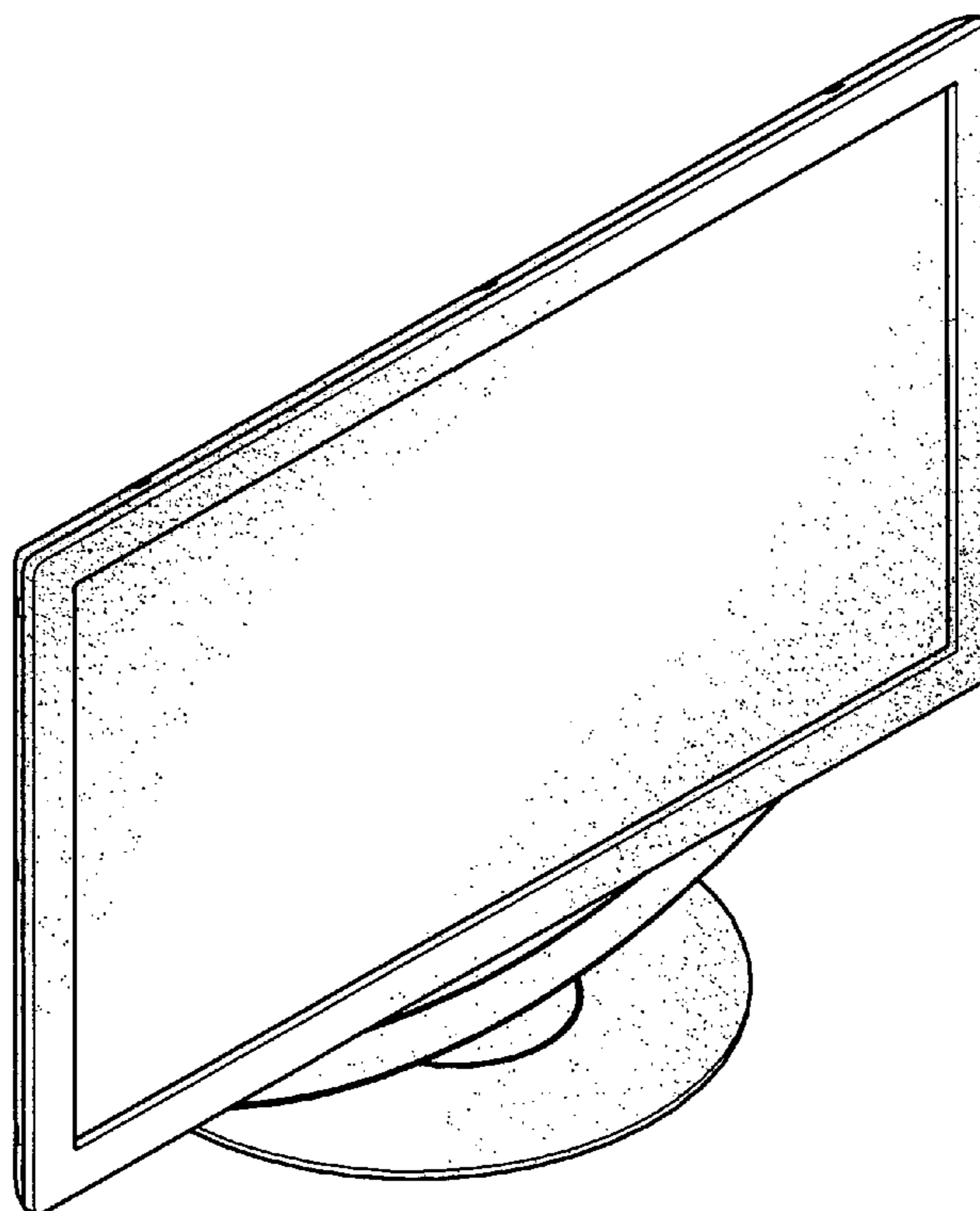


FIG.1

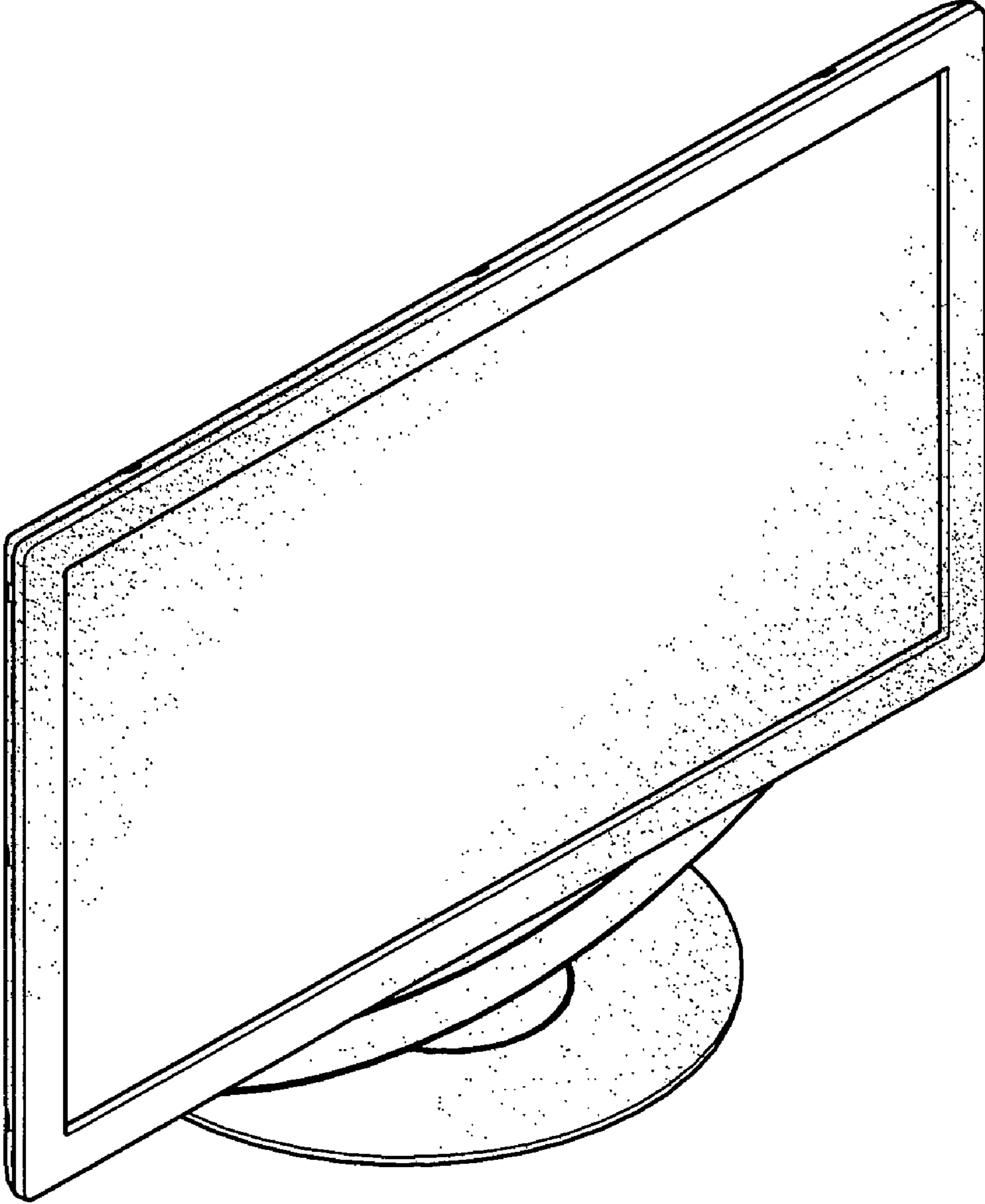


FIG.2

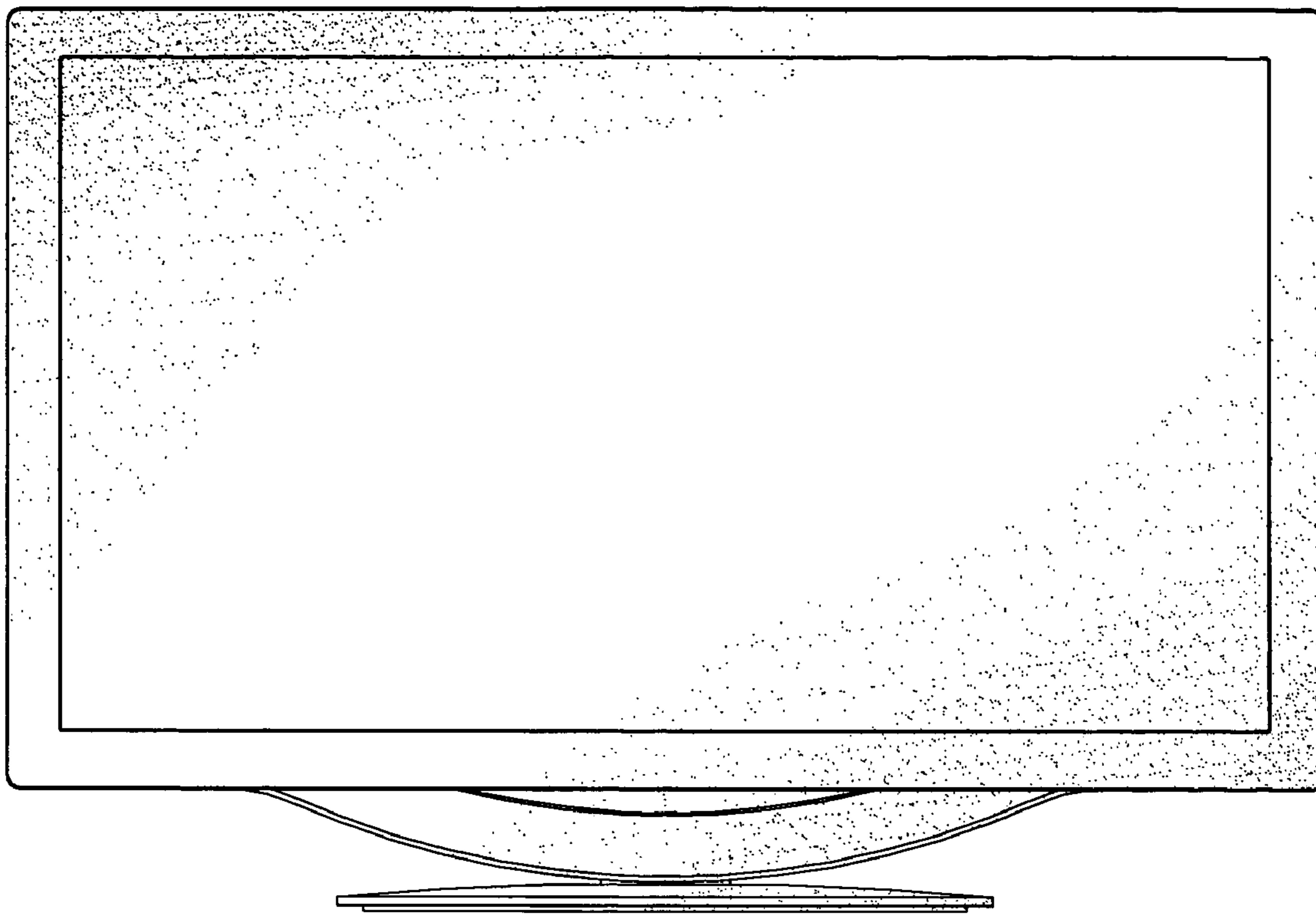


FIG.3

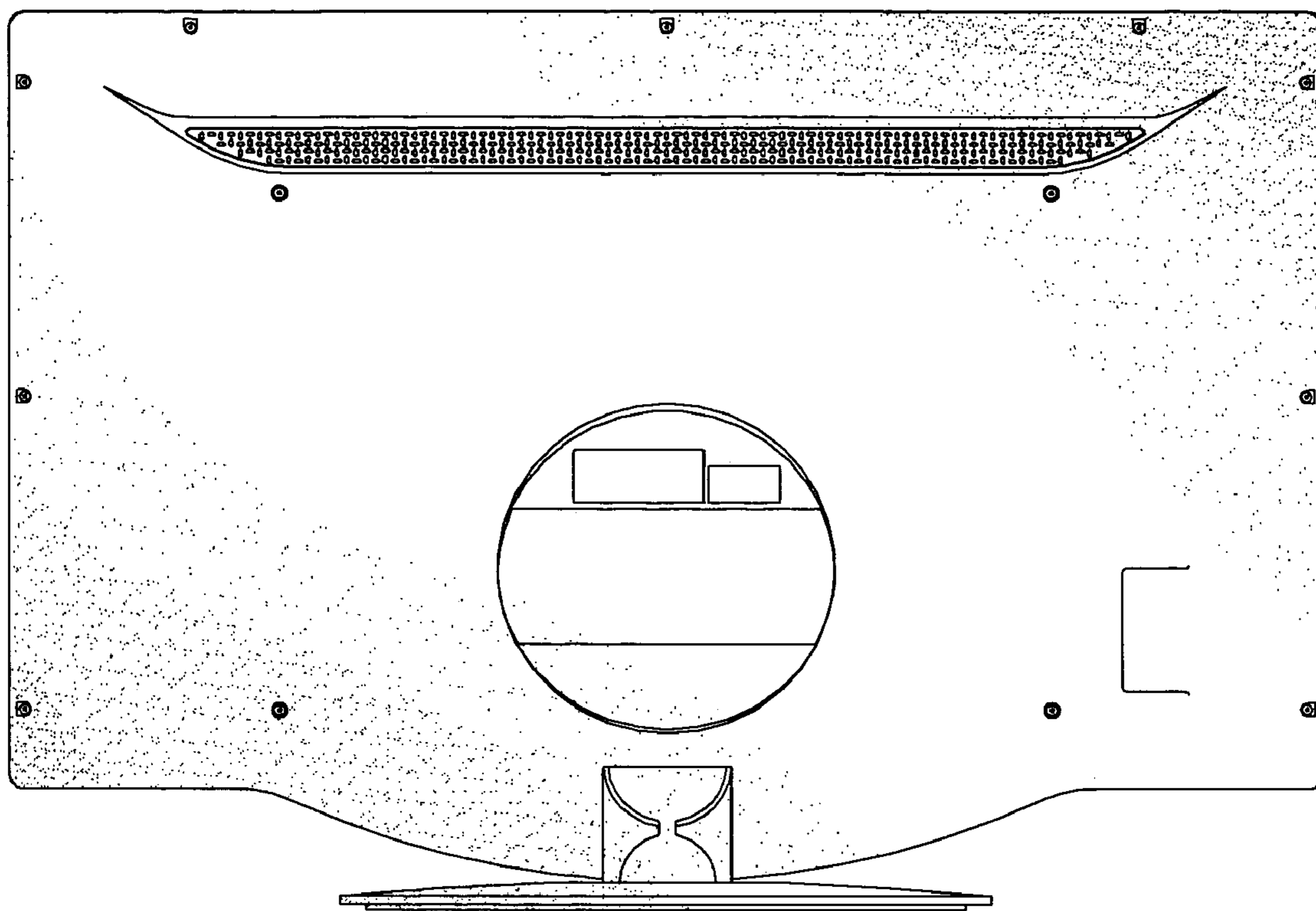


FIG.4

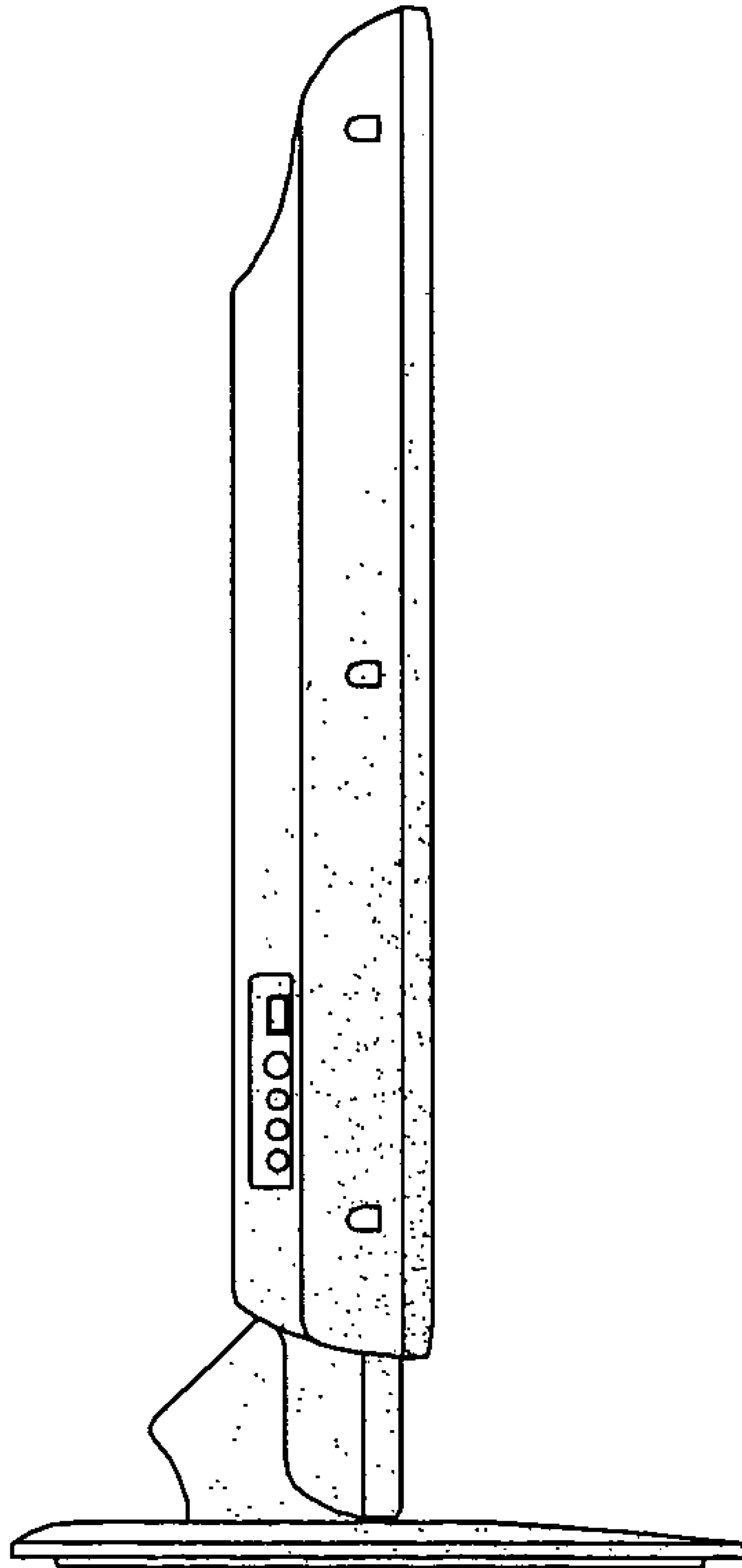


FIG.5

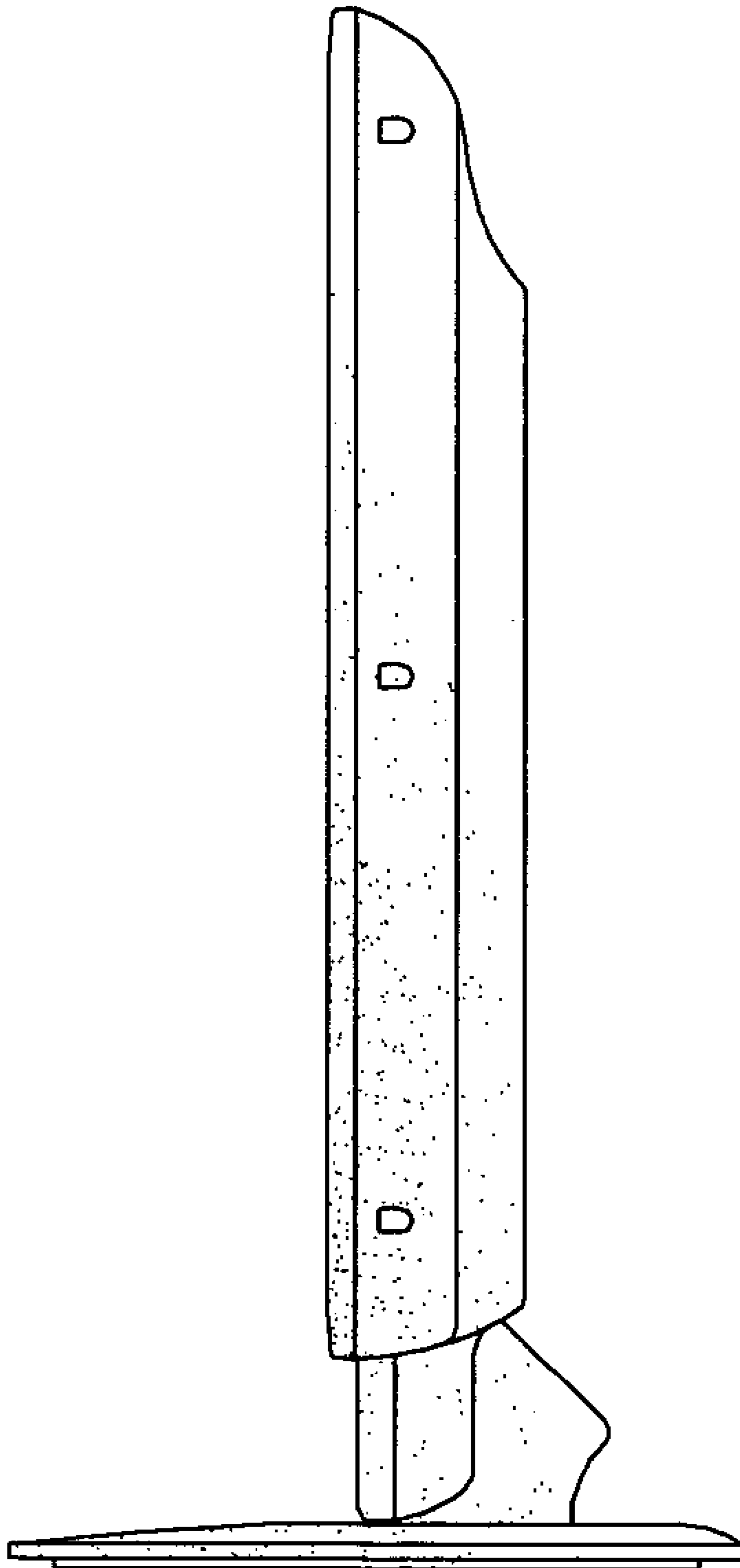


FIG.6

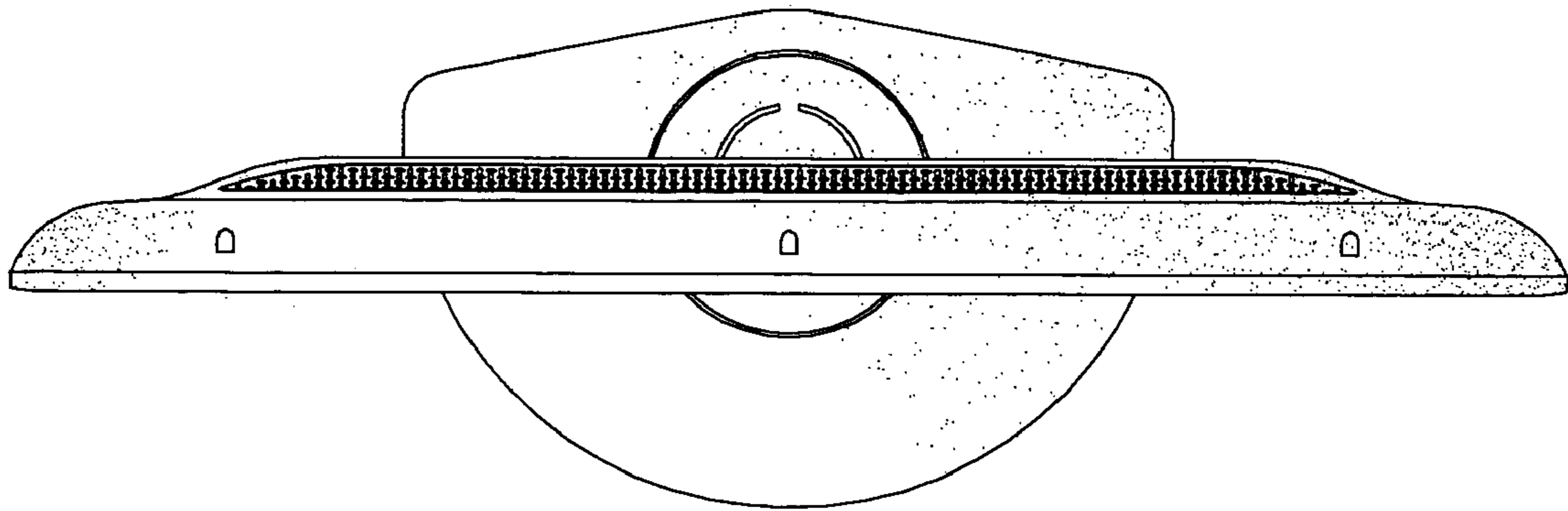


FIG.7

