

US00D578971S

(12) **United States Design Patent**  
**Yun et al.**

(10) **Patent No.:** **US D578,971 S**  
(45) **Date of Patent:** **\*\* Oct. 21, 2008**

(54) **LIGHT EMITTING DIODE LIGHT DISPLAY CABINET**

(75) Inventors: **Peng Yun**, Wuzhou (CN); **He Mingyue**, Duyun (CN); **Huang Dasen**, Heyuan (CN)

(73) Assignee: **Chainzone Technology (Foshan) Co., Ltd.**, Foshan (CN)

(\*\*) Term: **14 Years**

(21) Appl. No.: **29/273,592**

(22) Filed: **Mar. 9, 2007**

(51) **LOC (8) Cl.** ..... **13-99**

(52) **U.S. Cl.** ..... **D13/184**

(58) **Field of Classification Search** ..... D13/100, D13/102, 108, 169, 170, 180, 182, 184; D10/104, D10/106, 69; D11/133, 43; D26/24; 362/632, 362/558; 392/358

See application file for complete search history.

(56) **References Cited**

**U.S. PATENT DOCUMENTS**

5,676,444	A *	10/1997	Liao	.....	362/614
D388,088	S *	12/1997	Bond et al.	.....	D14/155
6,364,507	B1 *	4/2002	Yang	.....	362/248
D518,002	S *	3/2006	Johanneck et al.	.....	D13/184
7,055,271	B2 *	6/2006	Lutz et al.	.....	40/605

D542,239	S *	5/2007	Egawa	.....	D13/180
2004/0264206	A1 *	12/2004	Miller	.....	362/487
2005/0117330	A1 *	6/2005	Chen	.....	362/125
2006/0077669	A1 *	4/2006	Thielemans et al.	.....	362/368
2006/0221632	A1 *	10/2006	Hsu	.....	362/604
2006/0284788	A1 *	12/2006	Robinson et al.	.....	345/3.1

\* cited by examiner

*Primary Examiner*—Robert M. Spear

*Assistant Examiner*—Ania K Dworzecka

(74) *Attorney, Agent, or Firm*—Clark & Brody

(57) **CLAIM**

The ornamental design for a light emitting diode display cabinet, as shown and described.

**DESCRIPTION**

FIG. 1 is a front perspective view of a light emitting diode display cabinet, showing our new design;

FIG. 2 is rear perspective view thereof;

FIG. 3 is an enlarged front view thereof;

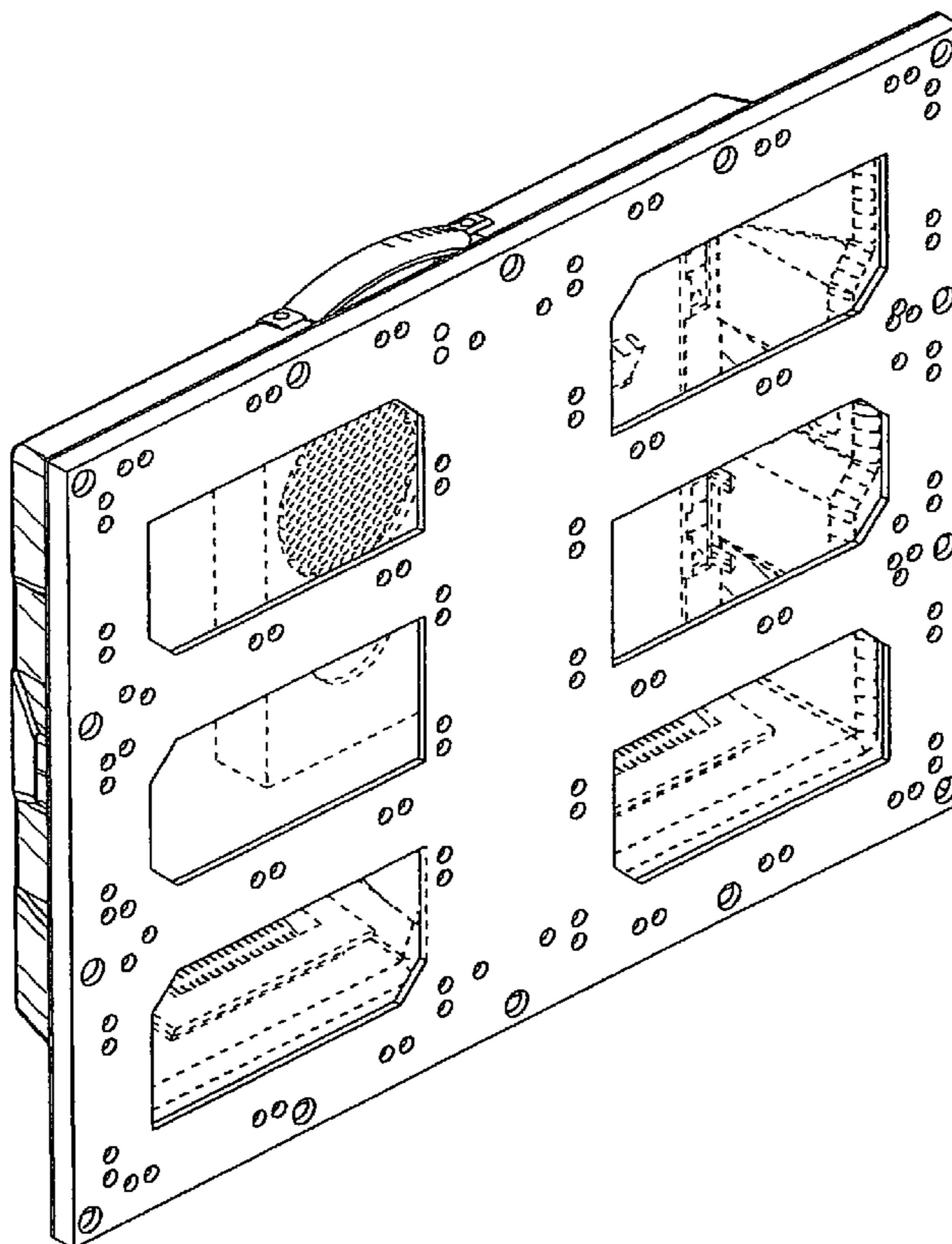
FIG. 4 is an enlarged rear view thereof;

FIG. 5 is an enlarged top plan view thereof;

FIG. 6 is an enlarged bottom plan view thereof; and,

FIG. 7 is an enlarged left side view thereof with the right side being a mirror image.

**1 Claim, 7 Drawing Sheets**



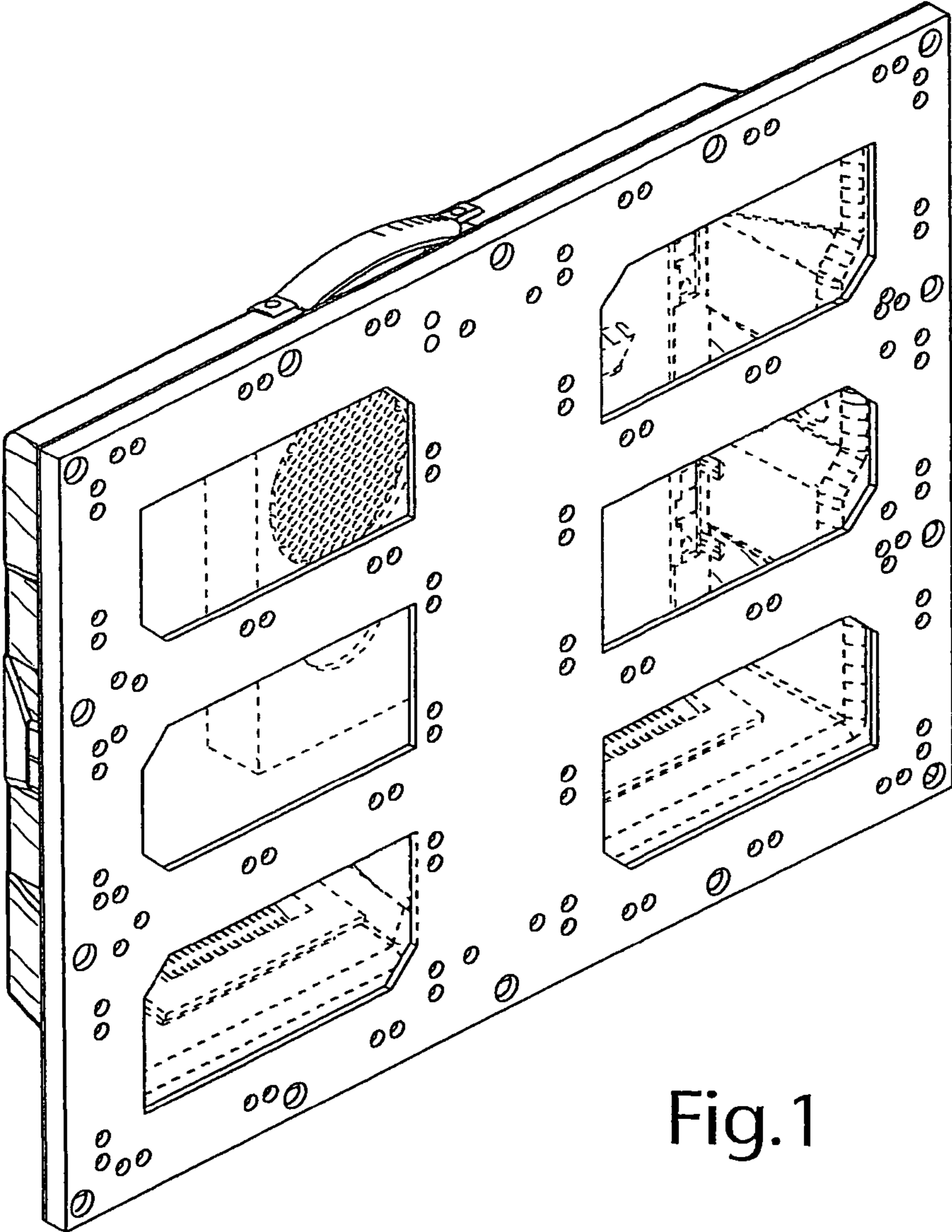


Fig.1

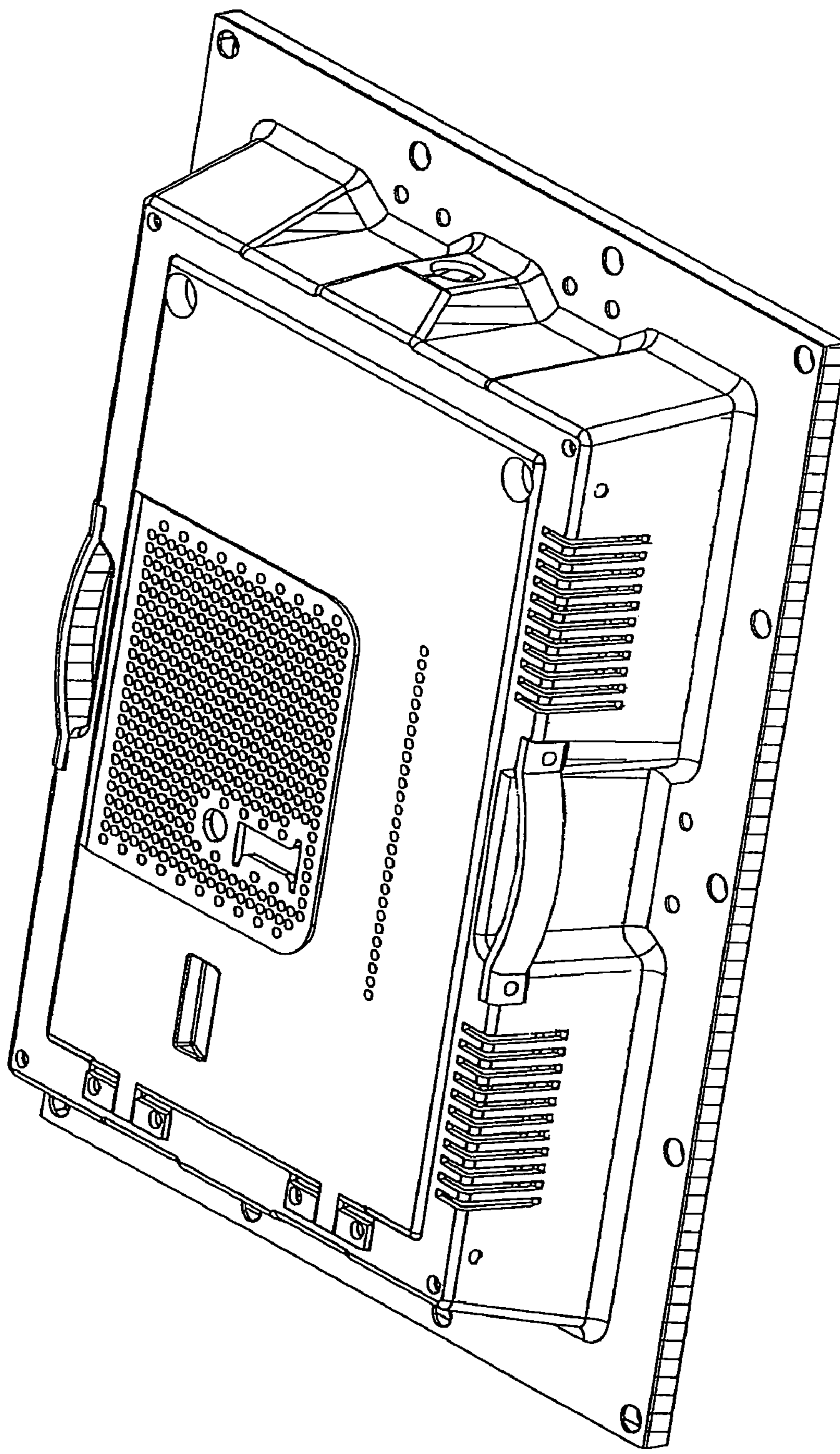


Fig.2

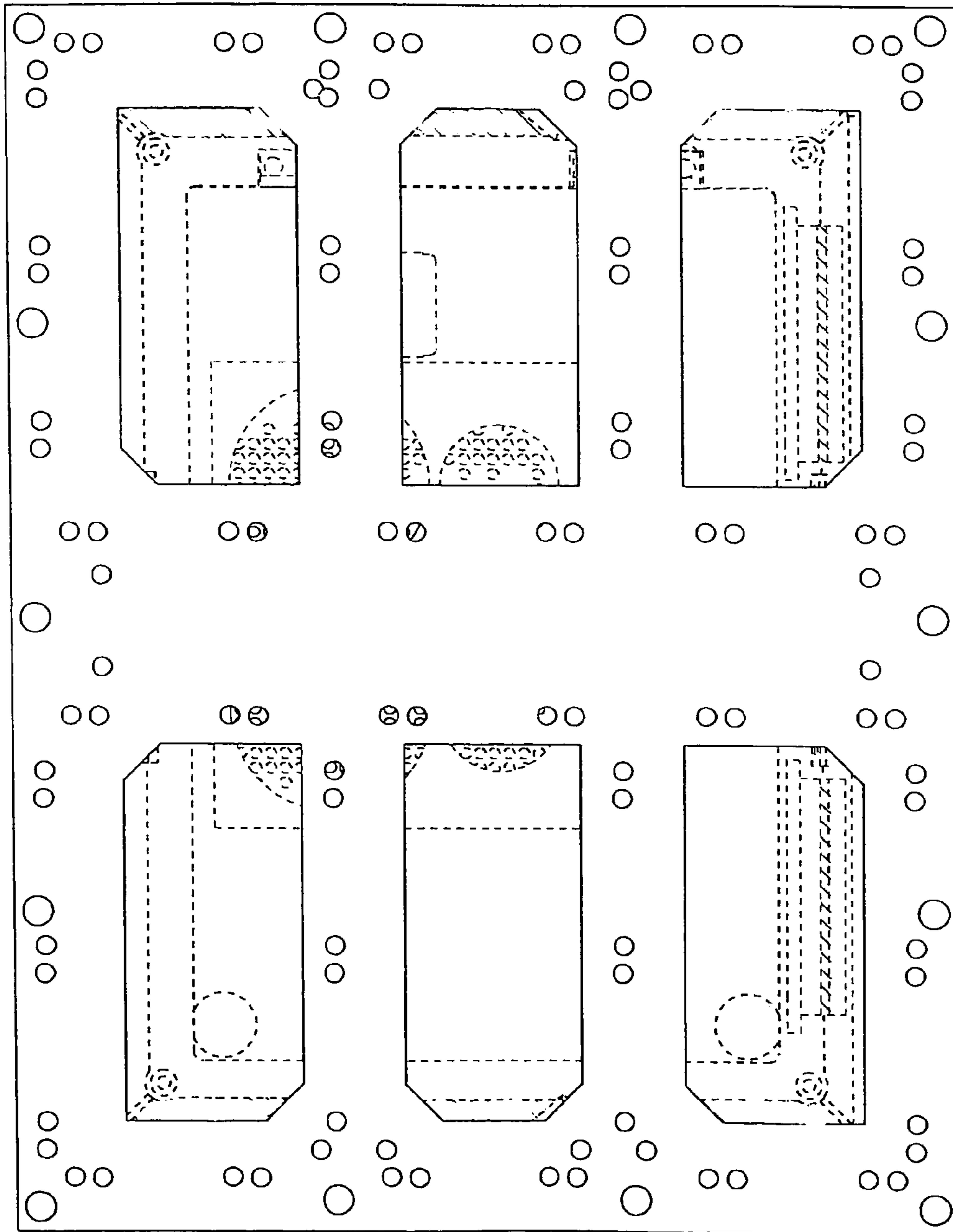


Fig.3

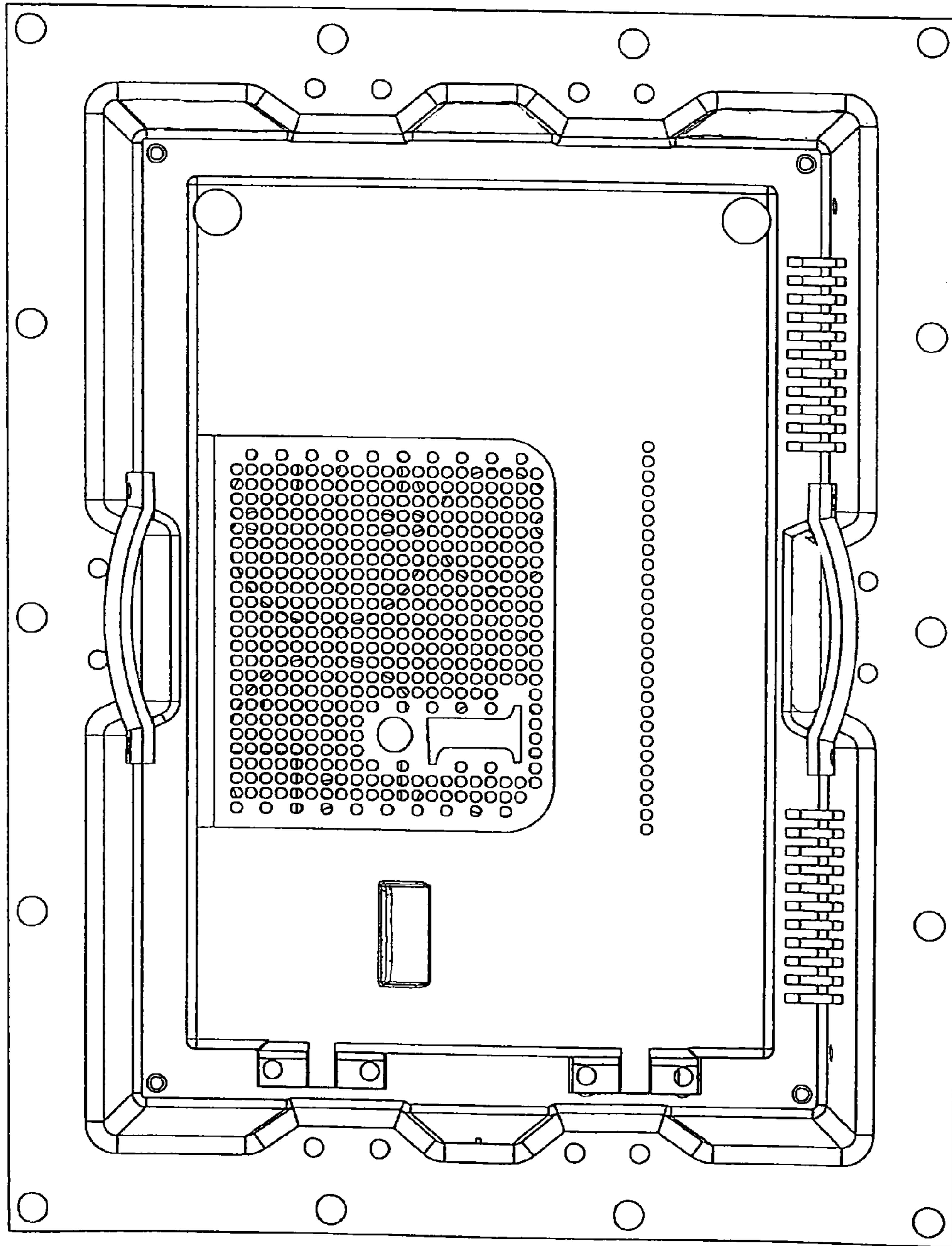


Fig.4

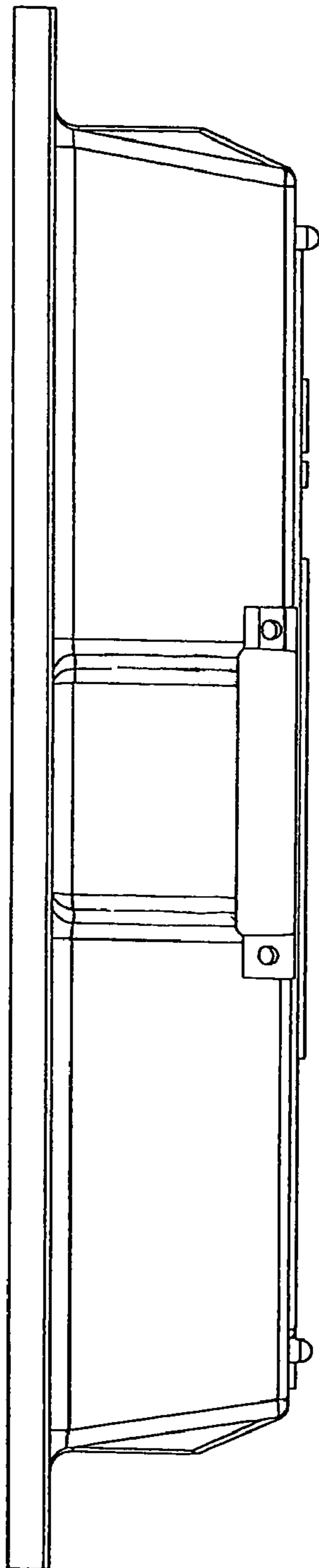


Fig. 5

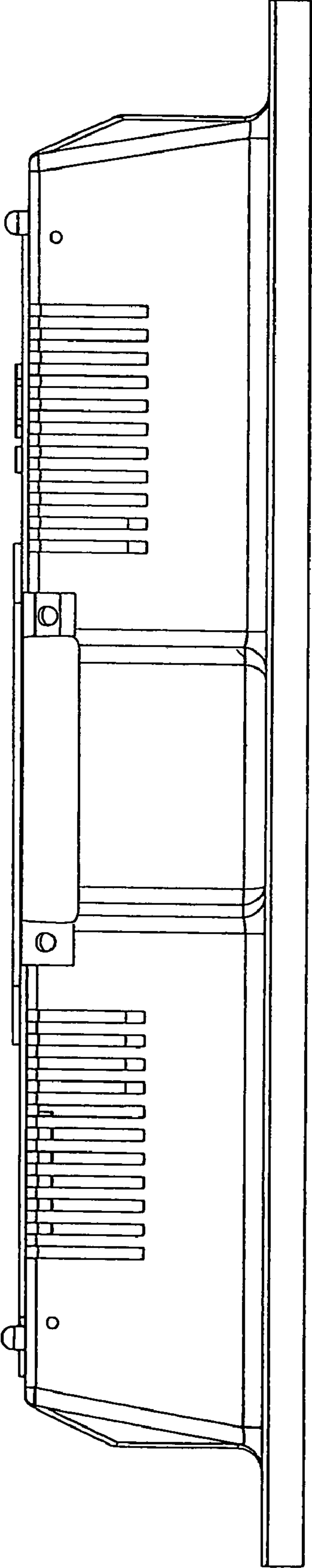


Fig.6

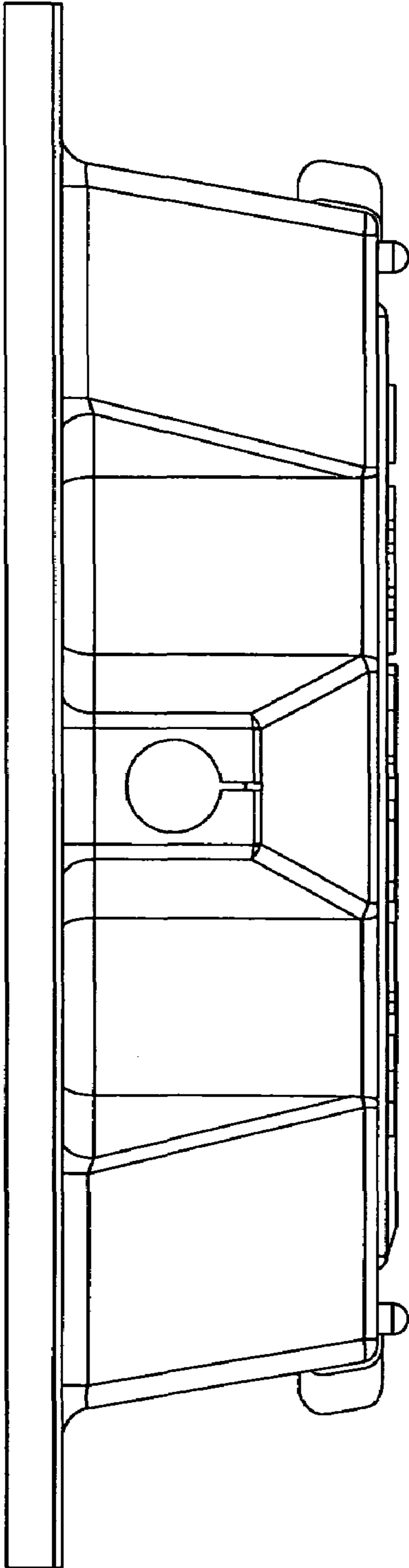


Fig.7