



US00D578969S

(12) **United States Design Patent**
Kobayakawa

(10) **Patent No.:** **US D578,969 S**
(45) **Date of Patent:** **** Oct. 21, 2008**

(54) **LIGHT EMITTING DIODE MODULE**

(75) Inventor: **Masahiko Kobayakawa**, Kyoto (JP)

(73) Assignee: **Rohm Co., Ltd.**, Kyoto (JP)

(**) Term: **14 Years**

(21) Appl. No.: **29/292,069**

(22) Filed: **Sep. 27, 2007**

(30) **Foreign Application Priority Data**

Mar. 30, 2007 (JP) 2007-008196

(51) **LOC (8) Cl.** **13-03**

(52) **U.S. Cl.** **D13/180**

(58) **Field of Classification Search** D13/180;
D26/2; 257/79, 80, 81, 88, 89, 95, 98, 99,
257/100; 313/483, 498, 500; 362/555, 800
See application file for complete search history.

(56) **References Cited**

U.S. PATENT DOCUMENTS

D471,166 S * 3/2003 Oshio et al. D13/182
D475,028 S * 5/2003 Hori et al. D13/182
D475,355 S * 6/2003 Hori et al. D13/182
D475,982 S * 6/2003 Hori et al. D13/182

D497,883 S * 11/2004 Wedig et al. D13/180
D531,140 S * 10/2006 Konno et al. D13/180
D562,272 S * 2/2008 Su et al. D13/180
D568,834 S * 5/2008 Nishida et al. D13/180
2007/0063213 A1 * 3/2007 Hsieh et al. 257/99

* cited by examiner

Primary Examiner—Selina Sikder

(74) *Attorney, Agent, or Firm*—Hamre, Schumann, Mueller & Larson, P.C.

(57) **CLAIM**

I claim the ornamental design for a light emitting diode module, as shown and described.

DESCRIPTION

FIG. 1 is a perspective view of a light emitting diode module according to my new design;

FIG. 2 is a front view of the same module, a rear view being identical to the front view;

FIG. 3 is a right side view of the same module, a left side view being identical to the right side view;

FIG. 4 is a top plan view of the same module; and,

FIG. 5 is a bottom view of the same module.

1 Claim, 3 Drawing Sheets

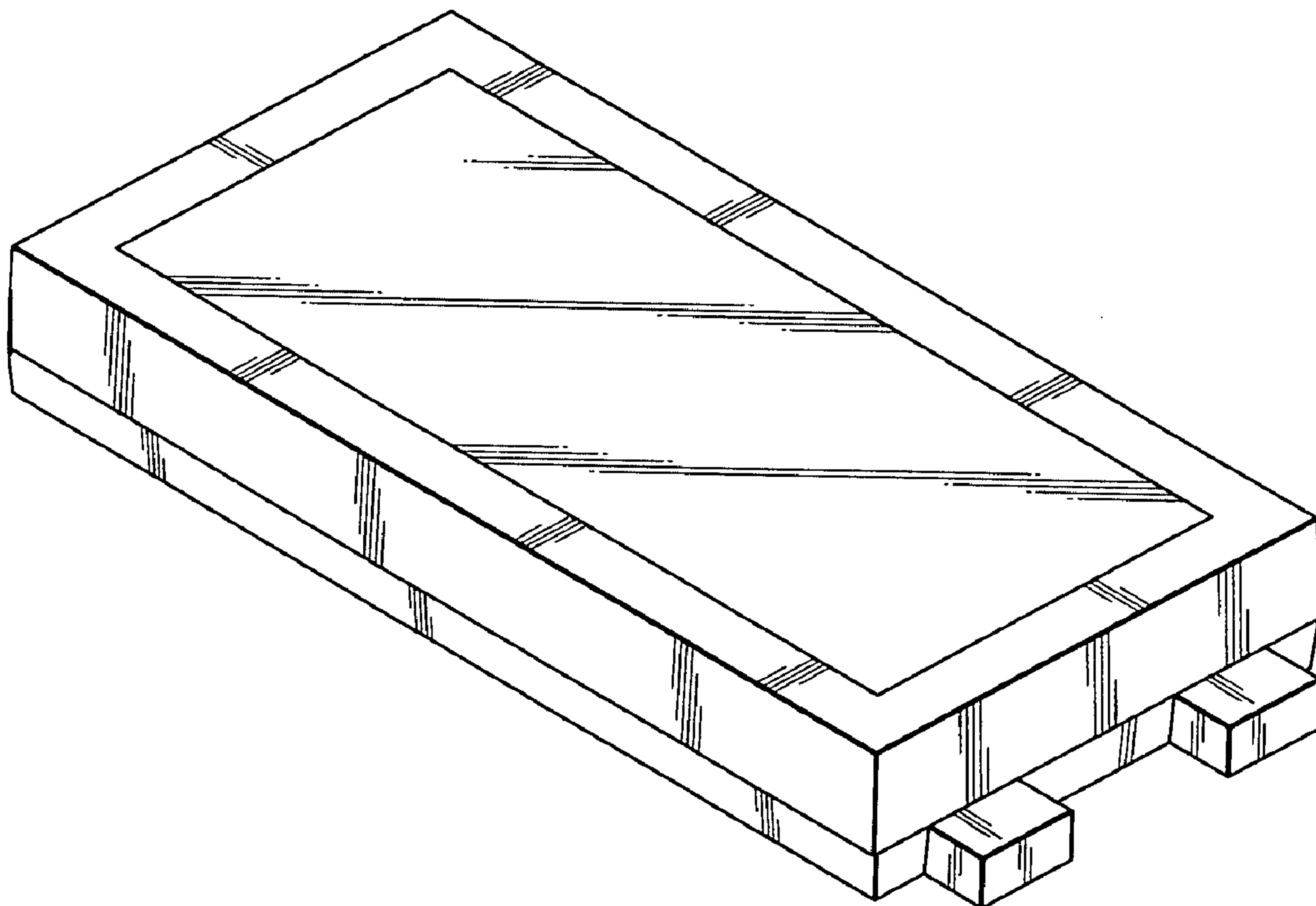


FIG.1

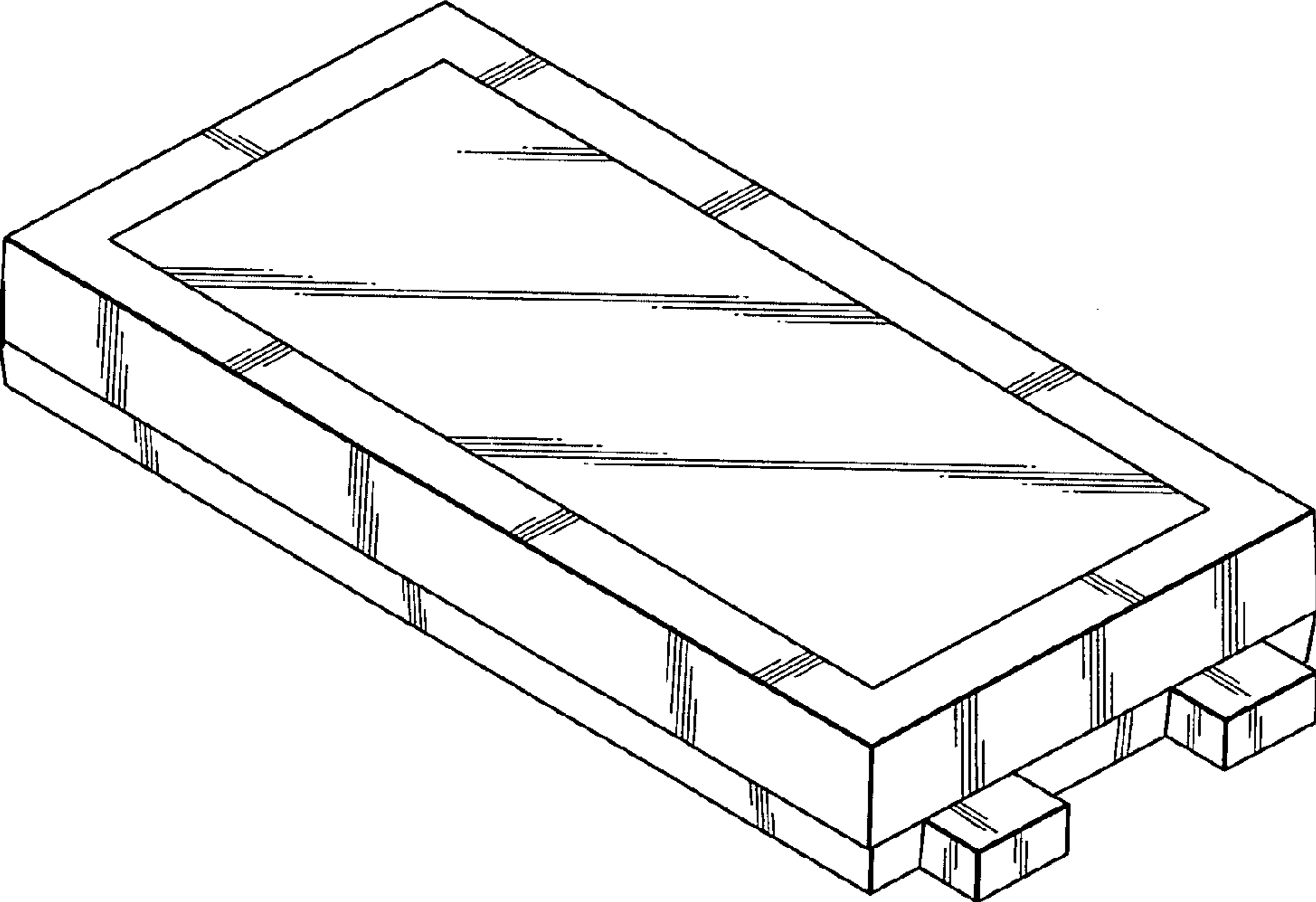


FIG.2

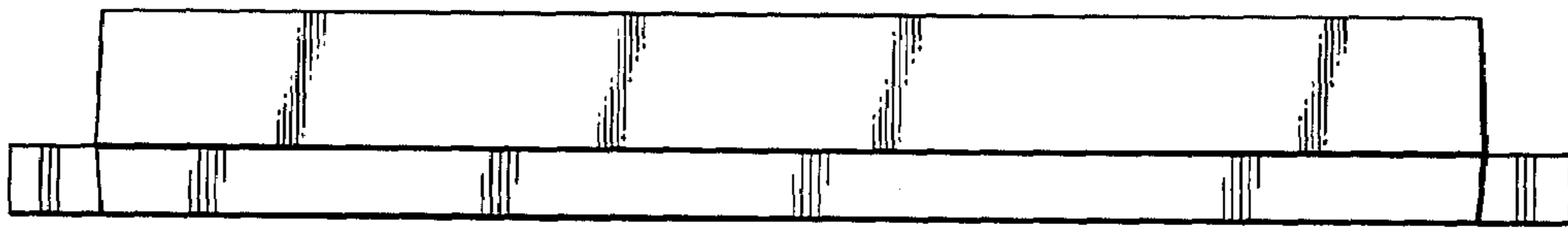


FIG.3

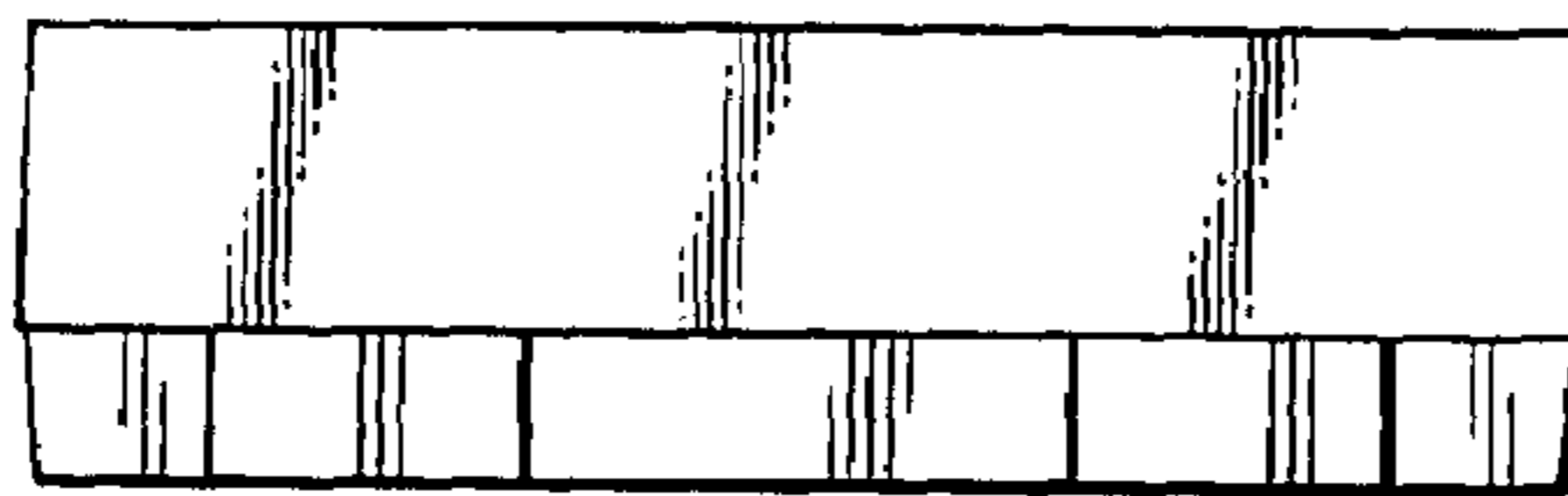


FIG.4

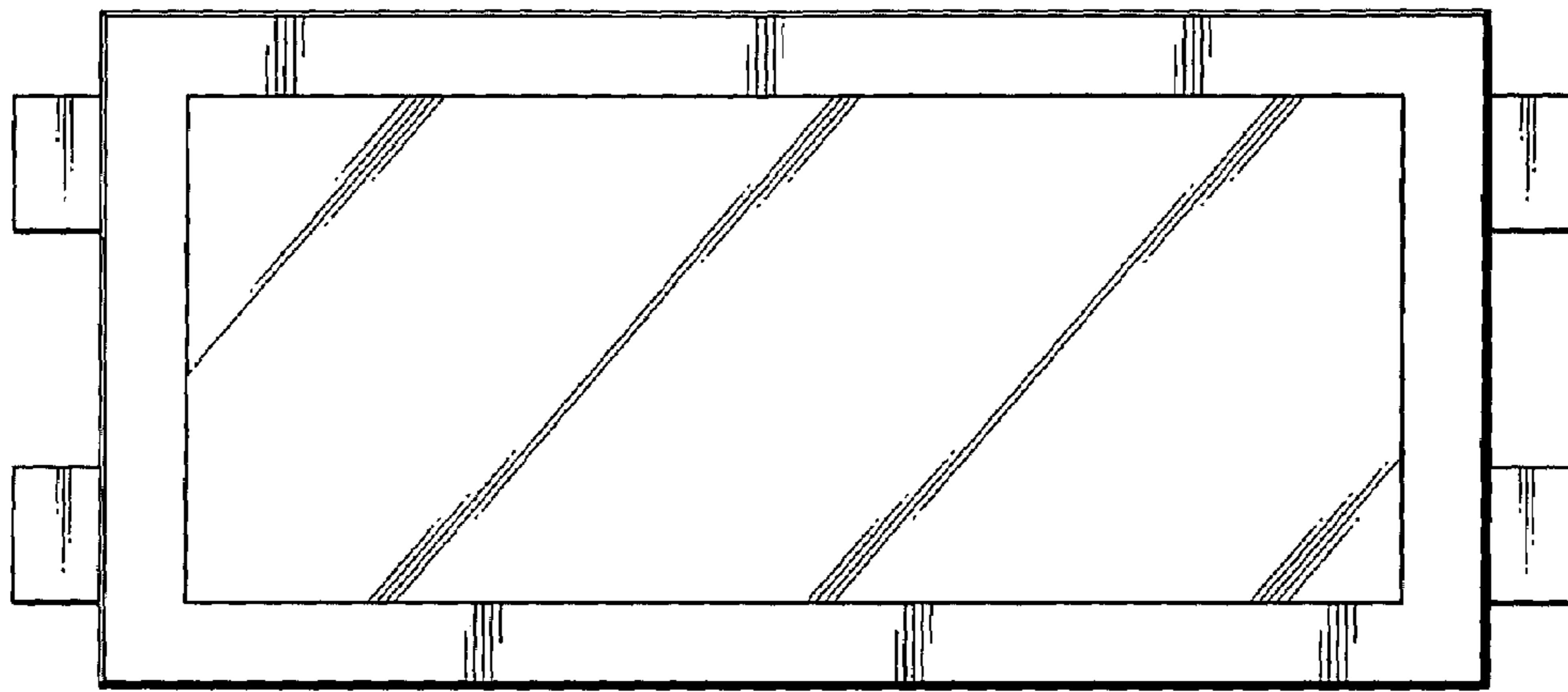


FIG.5

