



US00D578965S

(12) **United States Design Patent**
Dively

(10) **Patent No.:** **US D578,965 S**
(45) **Date of Patent:** **** Oct. 21, 2008**

(54) **DOOR ASSEMBLY**

(75) Inventor: **Robert C. Dively**, Williamsburg, VA
(US)

(73) Assignee: **Eaton Corporation**, Cleveland, OH
(US)

(**) Term: **14 Years**

(21) Appl. No.: **29/261,142**

(22) Filed: **Jun. 8, 2006**

(51) **LOC (8) Cl.** **13-03**

(52) **U.S. Cl.** **D13/152**

(58) **Field of Classification Search** D13/133,
D13/139.3, 139.4, 139.5, 152, 156, 177, 187;
174/50, 53-55, 58, 66-67; 361/622, 679,
361/724, 728, 736; 439/135-136, 138, 142,
439/535-536

See application file for complete search history.

(56) **References Cited**

U.S. PATENT DOCUMENTS

3,341,268	A	9/1967	Bickford et al.
4,519,657	A	5/1985	Jensen
4,546,418	A	10/1985	Baggio et al.
4,785,376	A	11/1988	Dively
D299,821	S	2/1989	Dively
4,873,600	A	10/1989	Vogele
4,951,182	A	8/1990	Simonson et al.
5,232,277	A	8/1993	Cassady

D533,510	S	*	12/2006	Guercio	D13/152
D534,130	S	*	12/2006	Park	D13/156
D554,590	S	*	11/2007	Vasarhelyi et al.	D13/152
D555,116	S	*	11/2007	Schlegel	D13/184
D556,145	S	*	11/2007	Williams et al.	D13/152
D560,170	S	*	1/2008	Ni	D13/152
D562,267	S	*	2/2008	Renner	D13/177

* cited by examiner

Primary Examiner—Brian N Vinson

(74) *Attorney, Agent, or Firm*—Martin J. Moran

(57) **CLAIM**

The ornamental design for a door assembly, as shown and described.

DESCRIPTION

FIG. 1 is a front isometric view of a door assembly in accordance with an embodiment of the invention;

FIG. 2 is a front elevational view of the door assembly of FIG. 1;

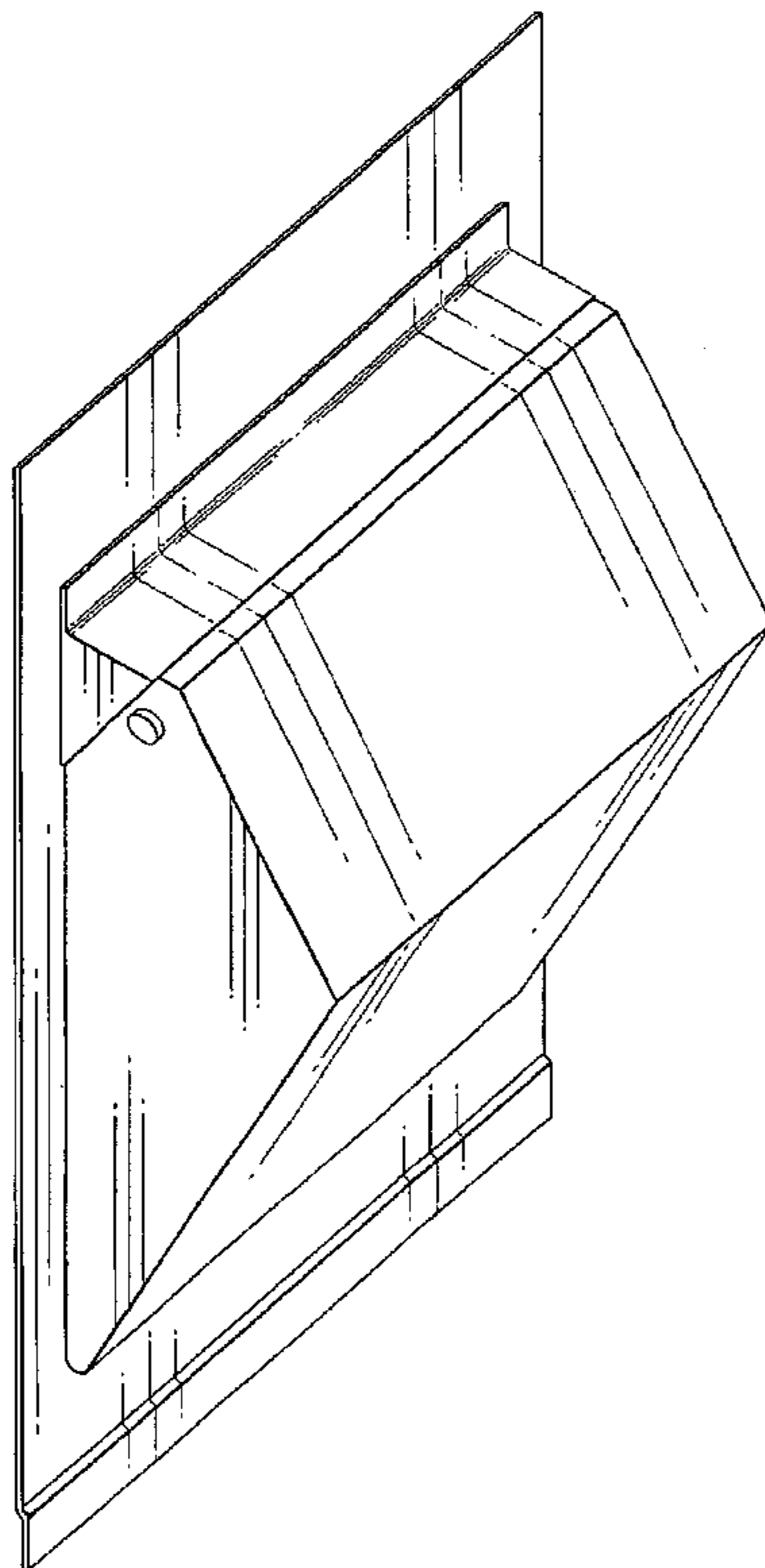
FIG. 3 is a back elevational view of the door assembly of FIG. 1;

FIG. 4 is a top plan view of the door assembly of FIG. 1;

FIG. 5 is a bottom plan view of the door assembly of FIG. 1; and,

FIG. 6 is a right side elevational view of the door assembly of FIG. 1, the left side elevational view (not shown) being a mirror image of the right side elevational view.

1 Claim, 5 Drawing Sheets



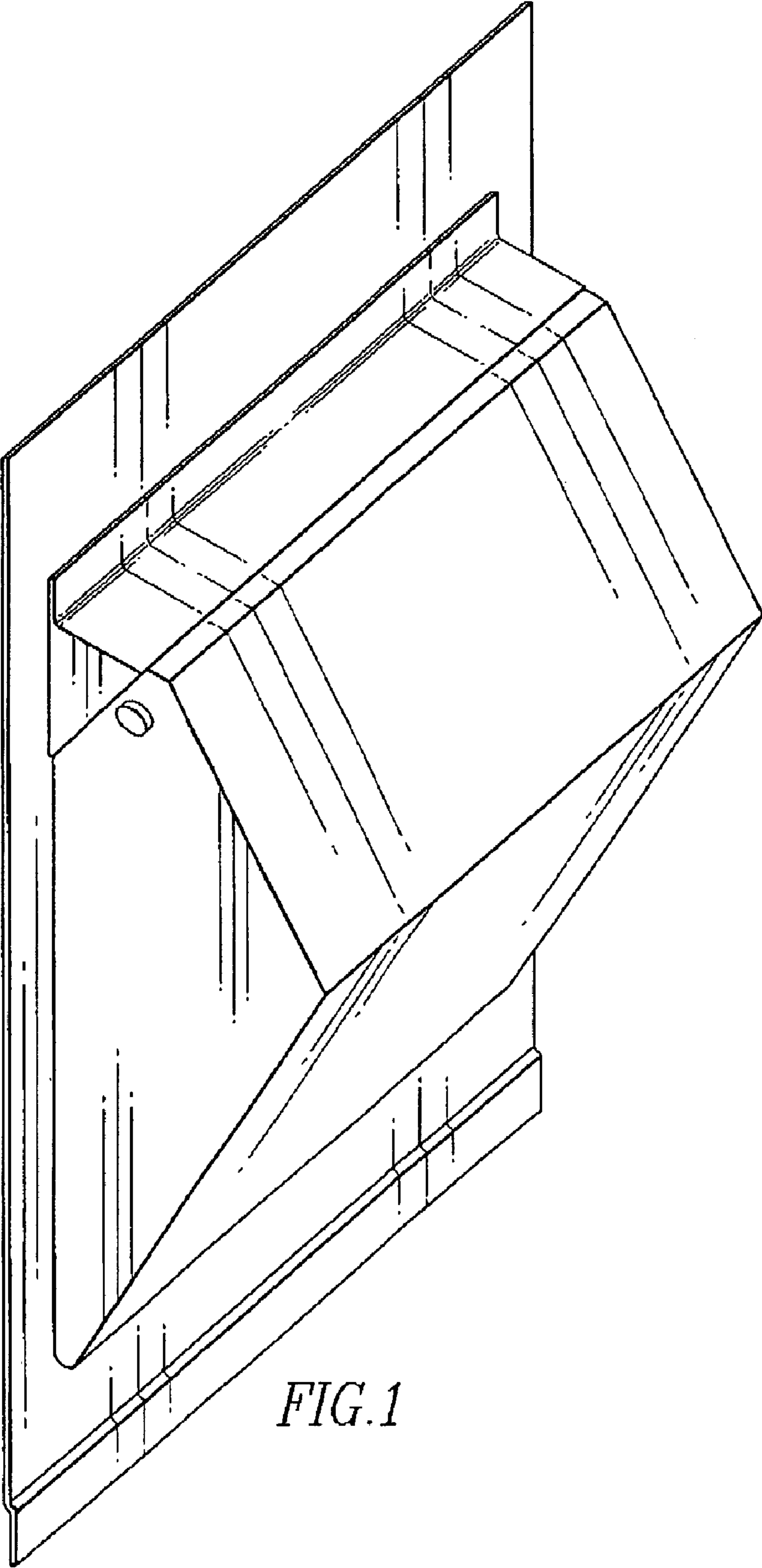


FIG. 1

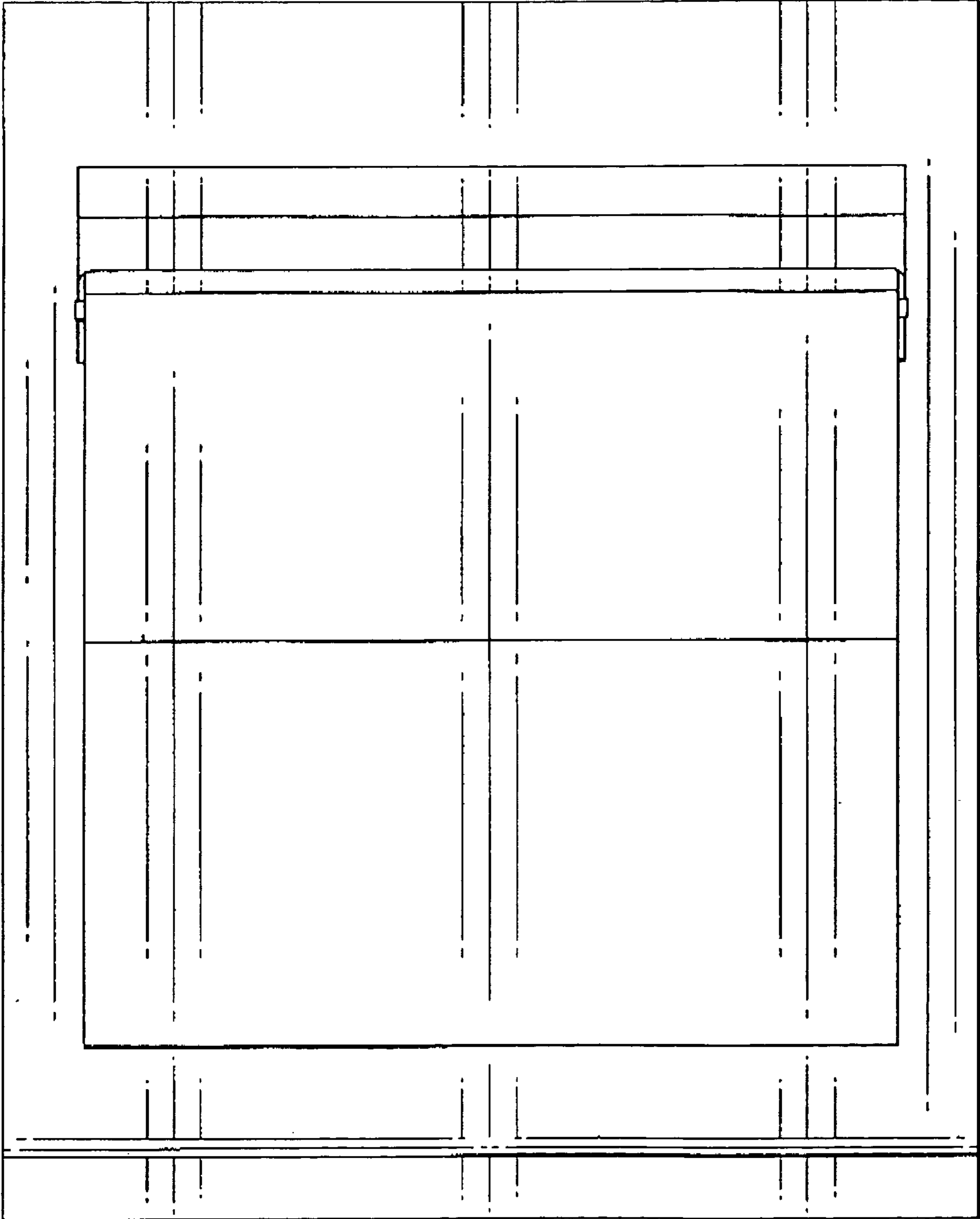


FIG. 2

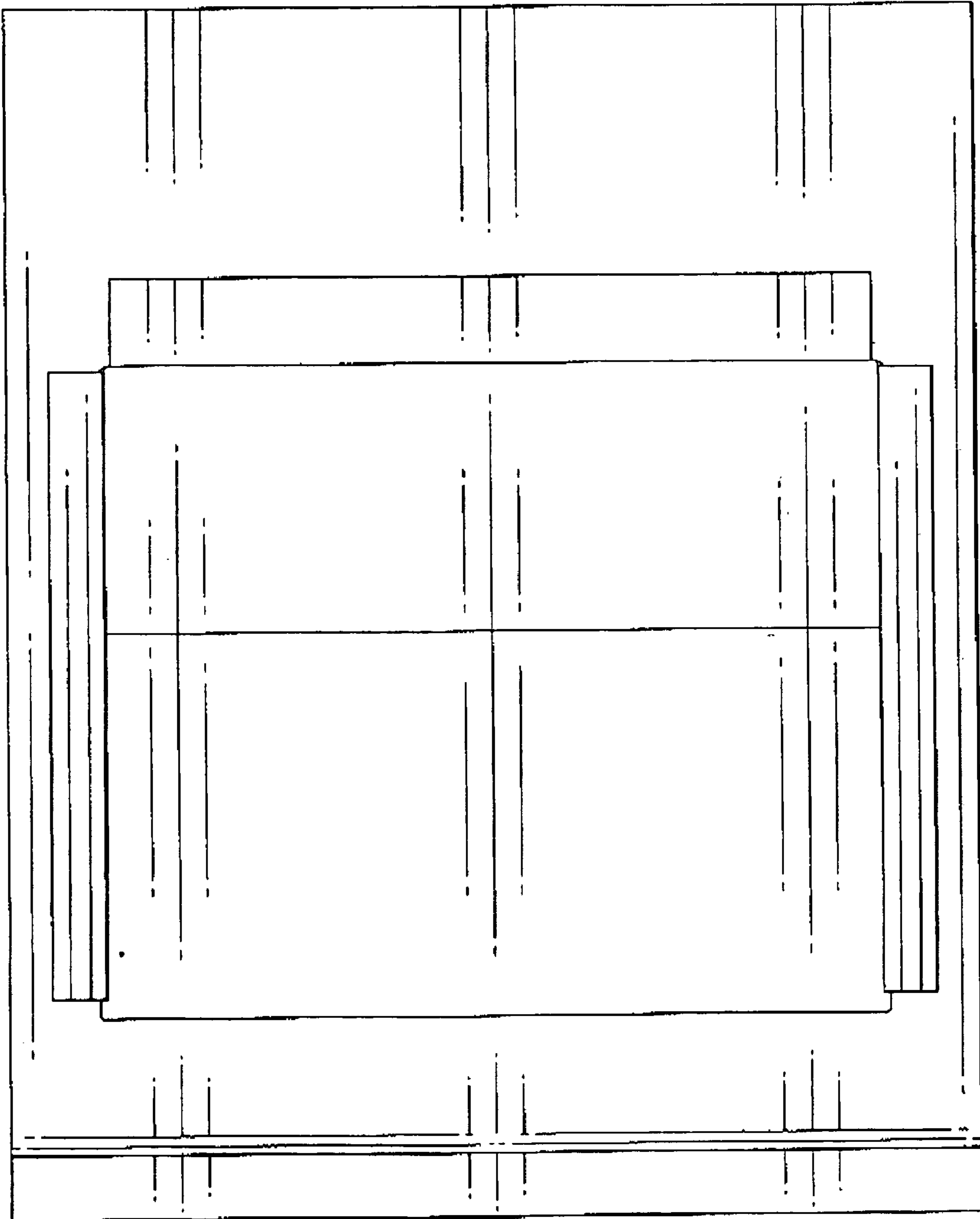


FIG. 3

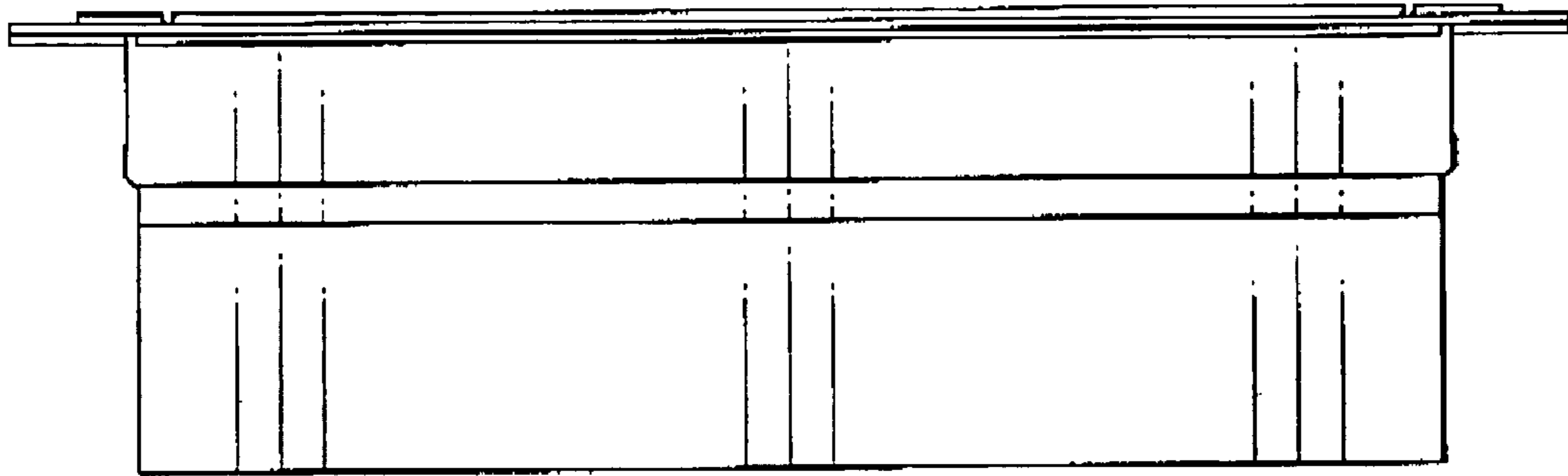


FIG. 4

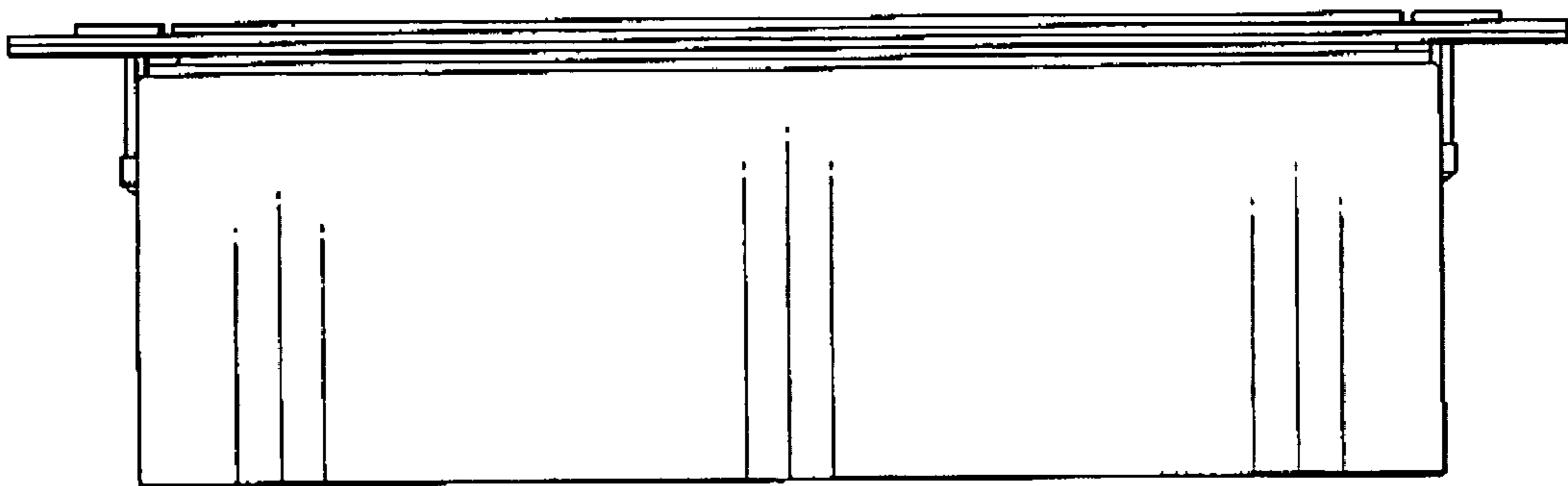


FIG. 5

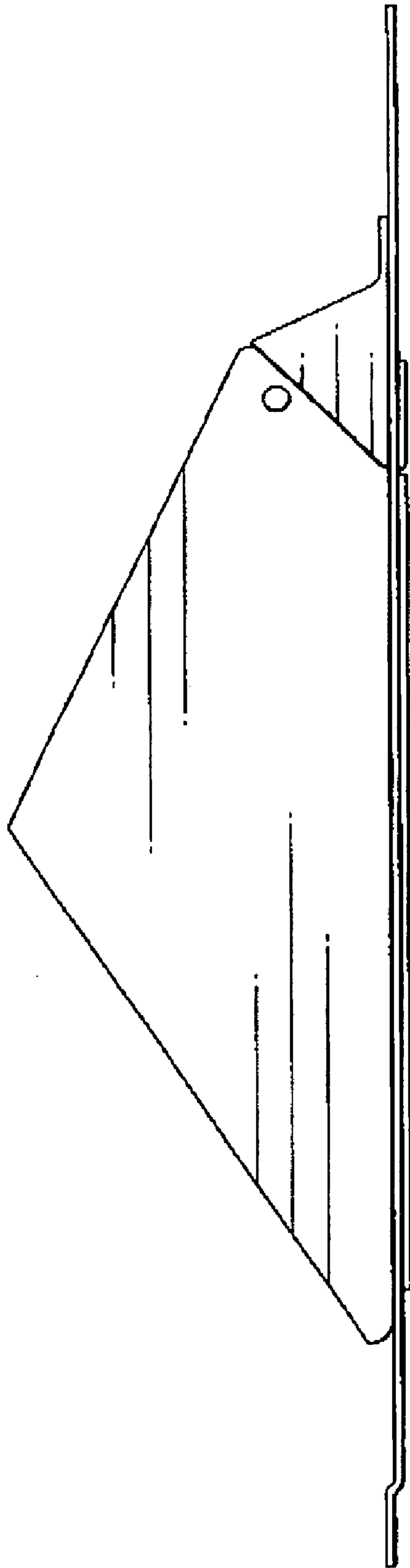


FIG. 6