



US00D578963S

(12) **United States Design Patent**
Shen et al.

(10) **Patent No.:** **US D578,963 S**

(45) **Date of Patent:** **** Oct. 21, 2008**

(54) **I/O CONNECTOR**

D479,199 S * 9/2003 Jones et al. D13/147
D529,444 S * 10/2006 Kudo D13/147
D531,960 S * 11/2006 Kondas D13/147

(75) Inventors: **Li Li Shen**, Tu-Cheng (TW); **Hong Tu Zhang**, Tu-Cheng (TW)

* cited by examiner

(73) Assignee: **Cheng Uei Precision Industry Co., Ltd.**, Taipei Hsien (TW)

Primary Examiner—Daniel D Bui

(74) *Attorney, Agent, or Firm*—Rosenberg, Klein & Lee

(**) Term: **14 Years**

(57) **CLAIM**

(21) Appl. No.: **29/287,365**

The ornamental design for an I/O connector, as shown and described.

(22) Filed: **Jul. 30, 2007**

DESCRIPTION

(51) **LOC (8) Cl.** **13-03**

(52) **U.S. Cl.** **D13/133**

(58) **Field of Classification Search** D13/133,
D13/146, 147, 154, 184, 199; 439/108, 352,
439/354, 357, 358, 374, 567, 607, 608, 609,
439/610, 656, 676, 680

See application file for complete search history.

FIG. 1 is a perspective view of an I/O connector showing our new design;

FIG. 2 is a front elevational view thereof;

FIG. 3 is a rear elevational view thereof;

FIG. 4 is a left side elevational view thereof;

FIG. 5 is a right side elevational view thereof;

FIG. 6 is a top plan view thereof;

FIG. 7 is a bottom plan view thereof; and,

FIG. 8 is another perspective view of the I/O connector showing our new design.

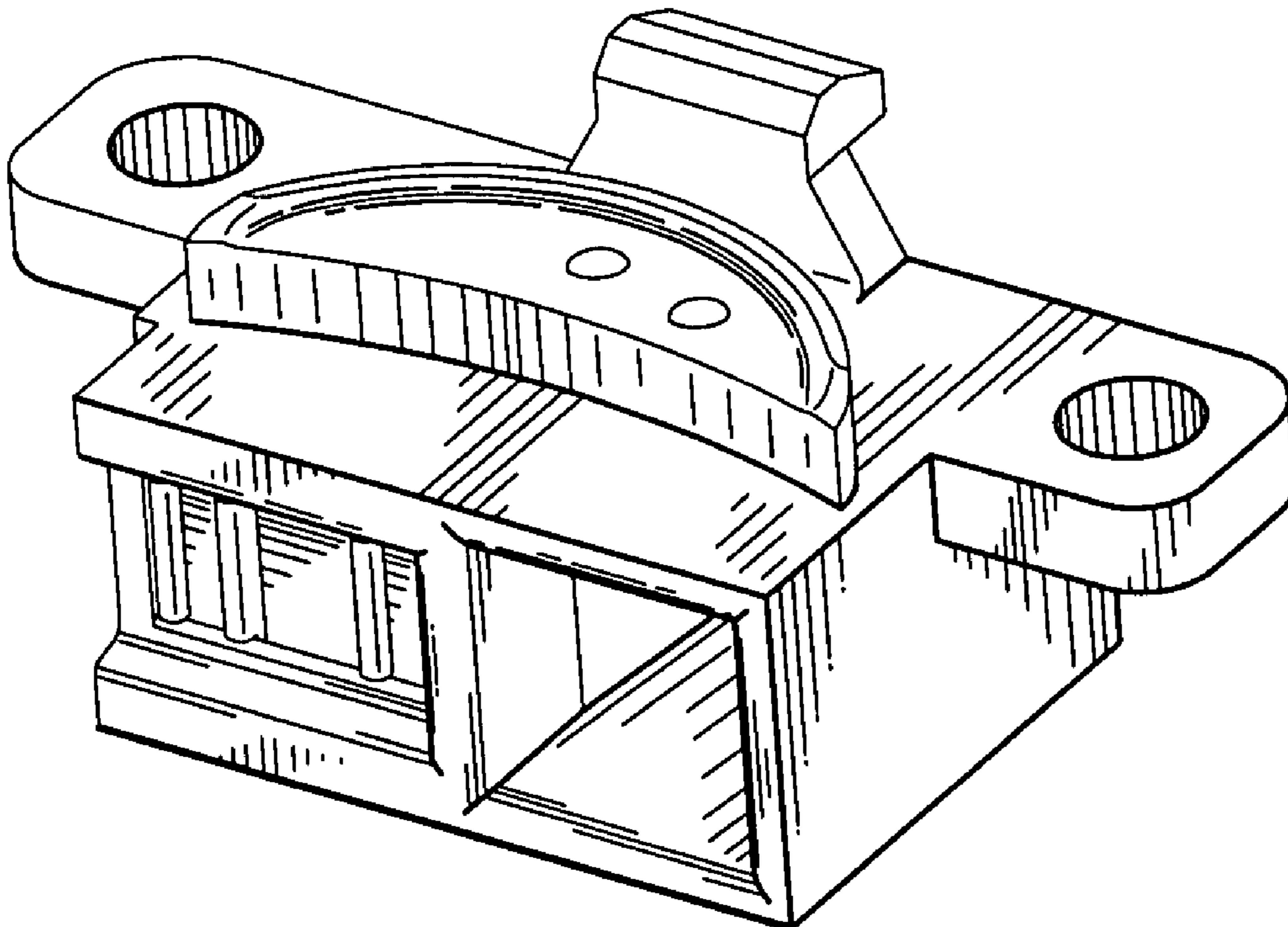
The broken line of the internal elements of the connector in FIG. 3 is included to show unclaimed subject matter only and forms no part of the claimed design.

(56) **References Cited**

U.S. PATENT DOCUMENTS

D196,111 S * 8/1963 Krehbiel et al. D13/147
D310,993 S * 10/1990 Ohkura et al. D13/146
D317,148 S * 5/1991 Kozono et al. D13/146
5,141,452 A * 8/1992 Yoneda et al. 439/595
D405,053 S * 2/1999 Tan et al. D13/147
D413,101 S * 8/1999 Avery et al. D13/147
D425,869 S * 5/2000 Yokomizo et al. D13/147
6,607,308 B2 * 8/2003 Dair et al. 385/92

1 Claim, 8 Drawing Sheets



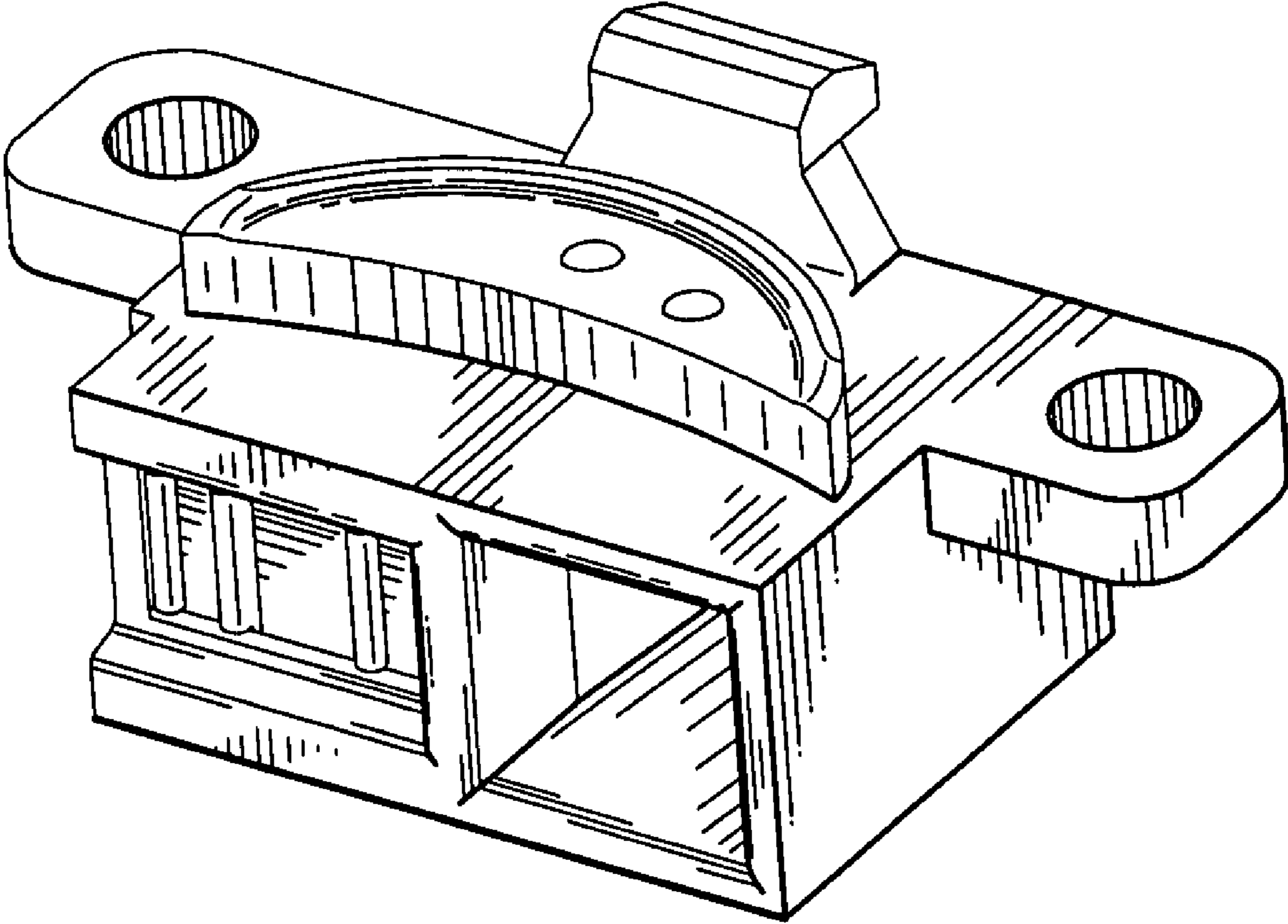


FIG. 1

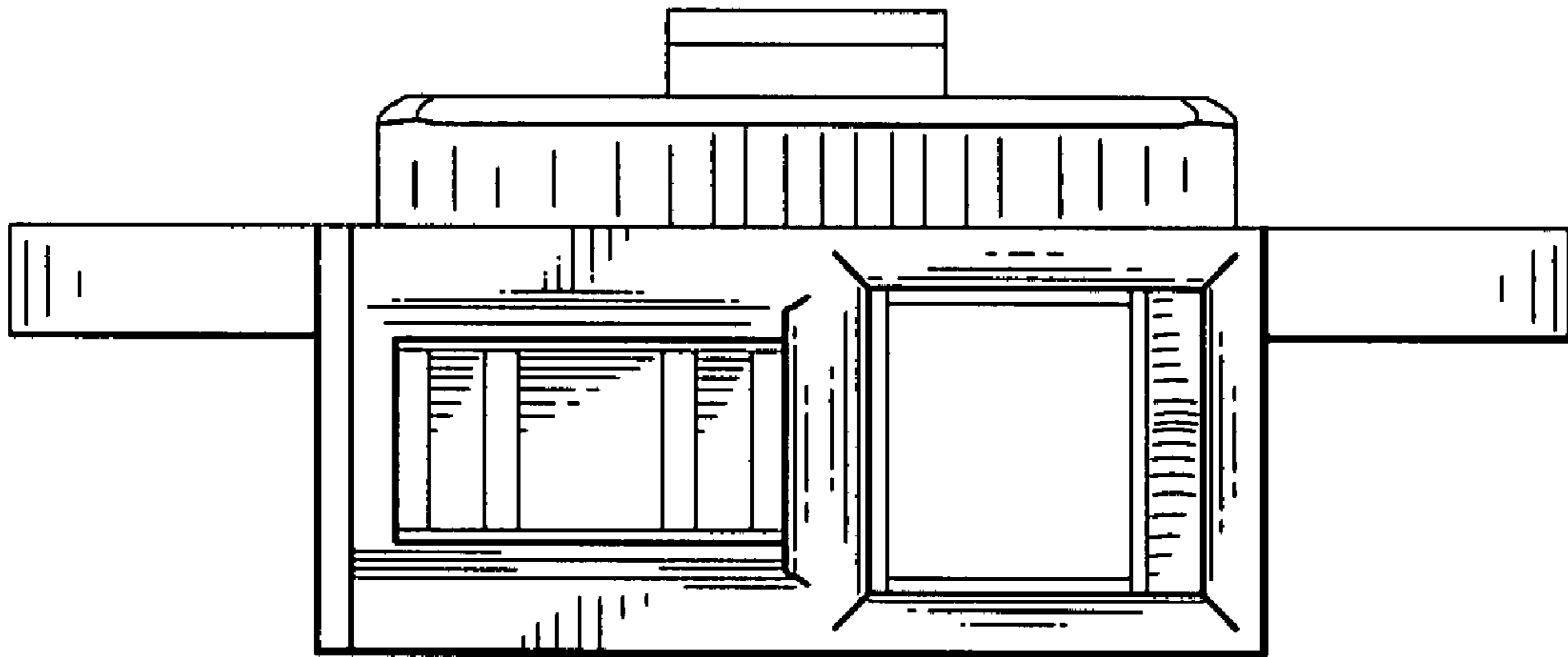


FIG. 2

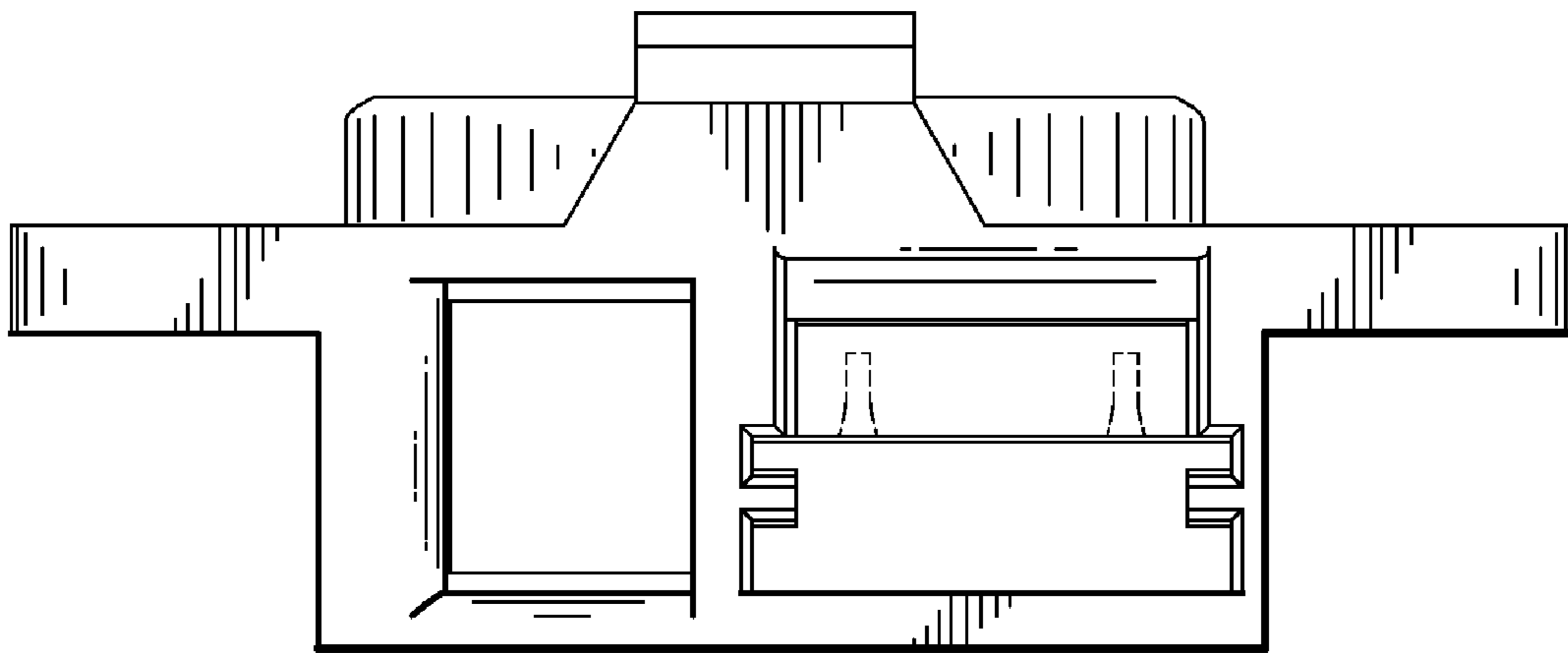


FIG. 3

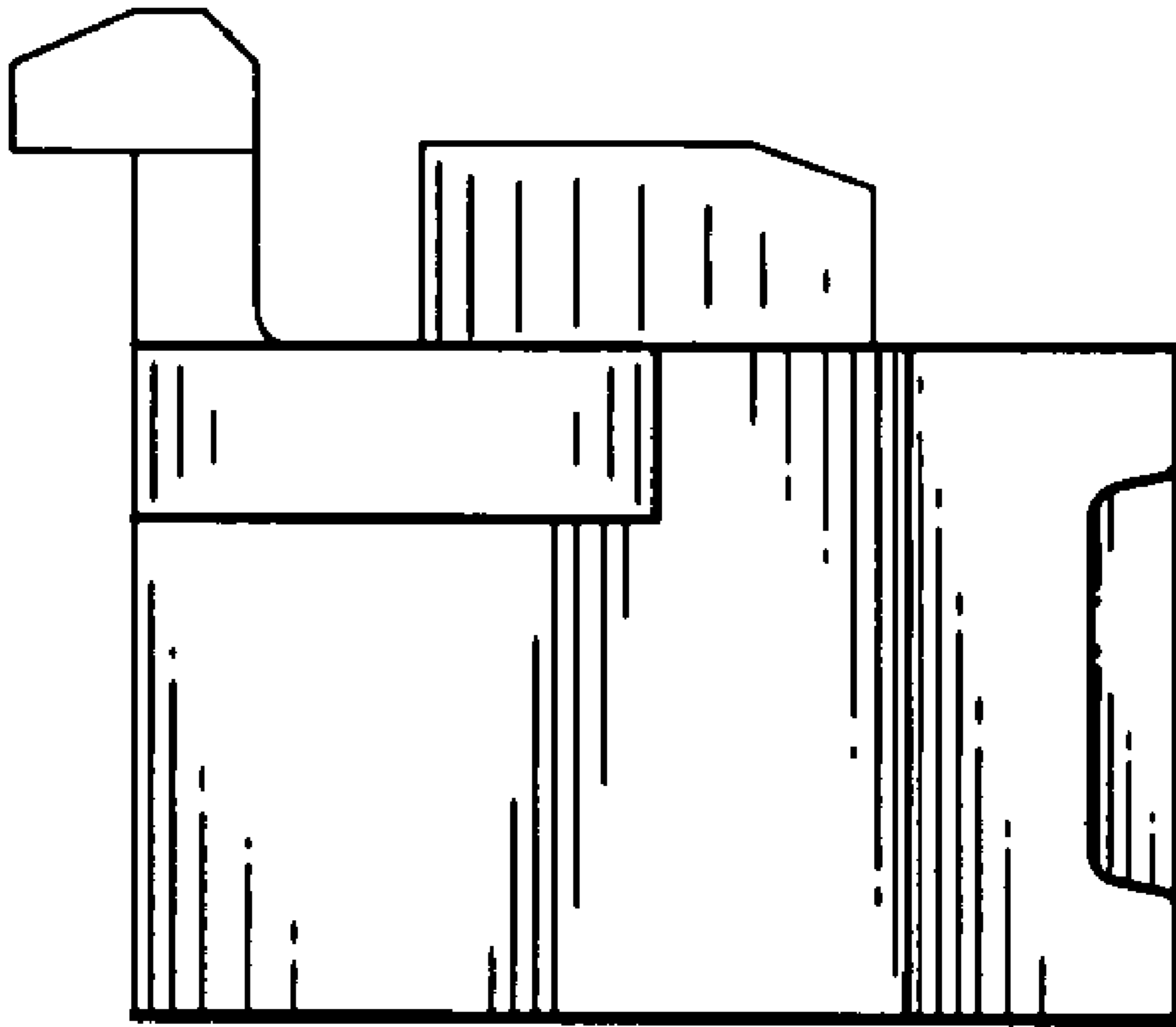


FIG. 4

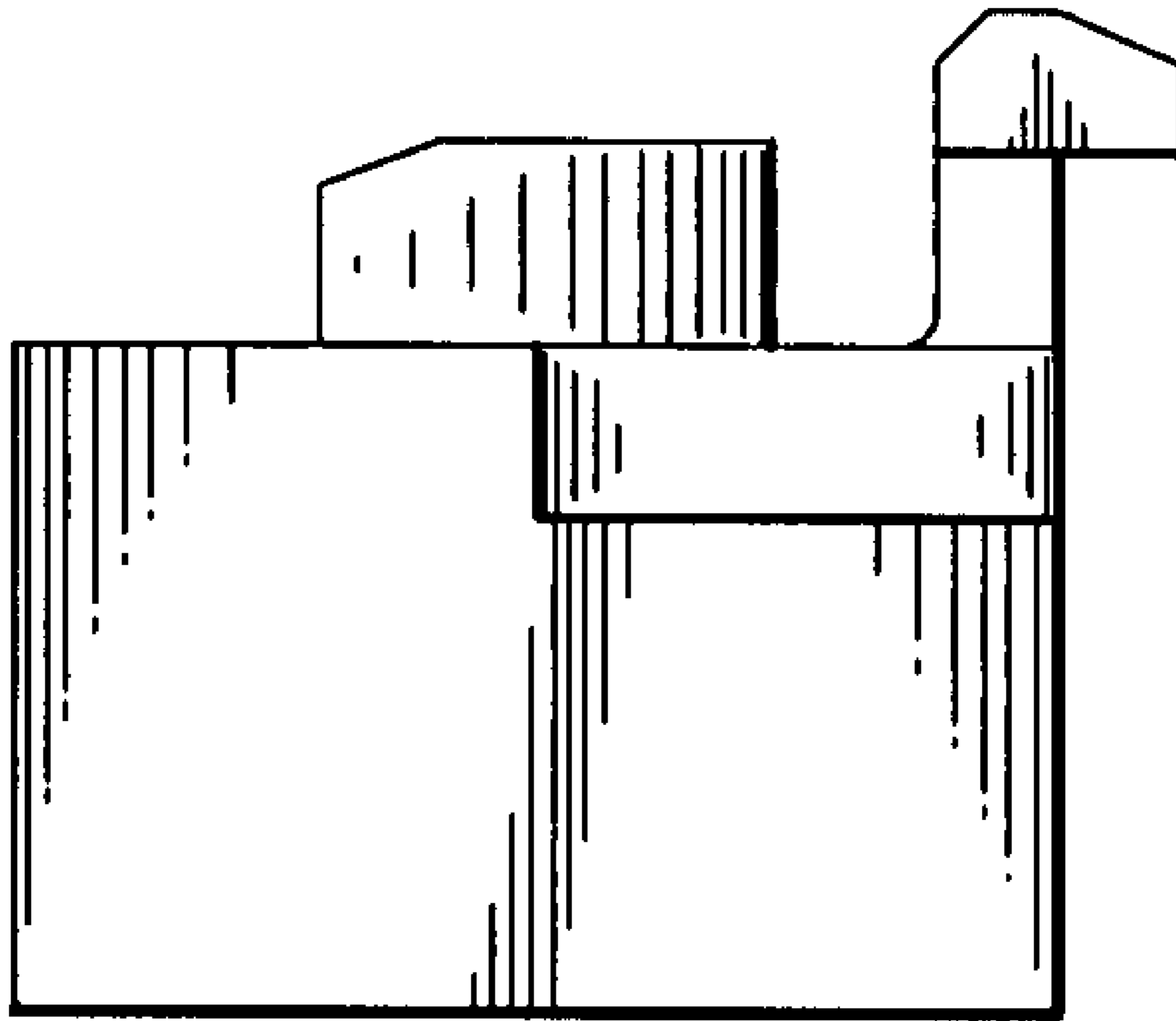


FIG. 5

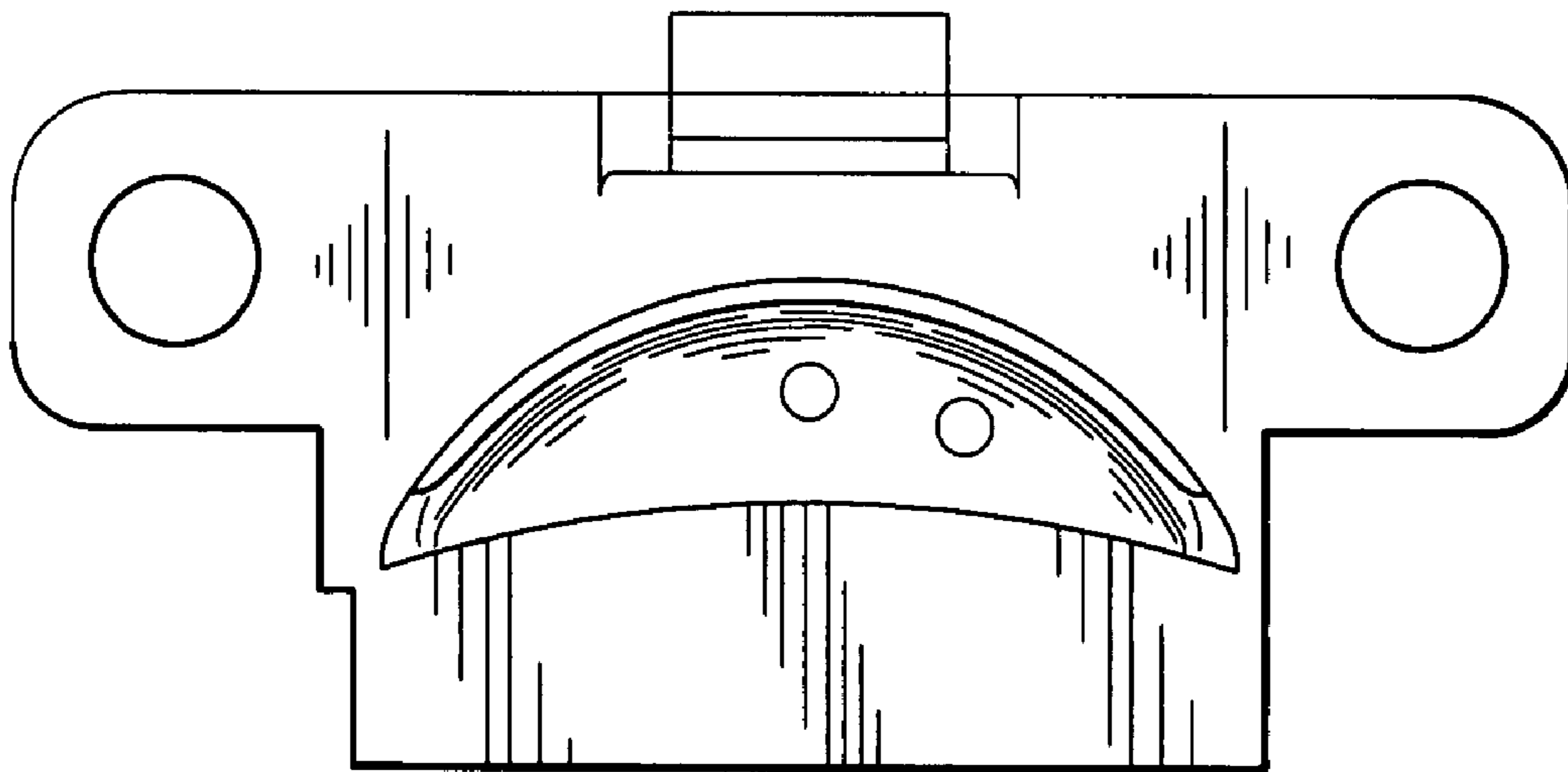


FIG. 6

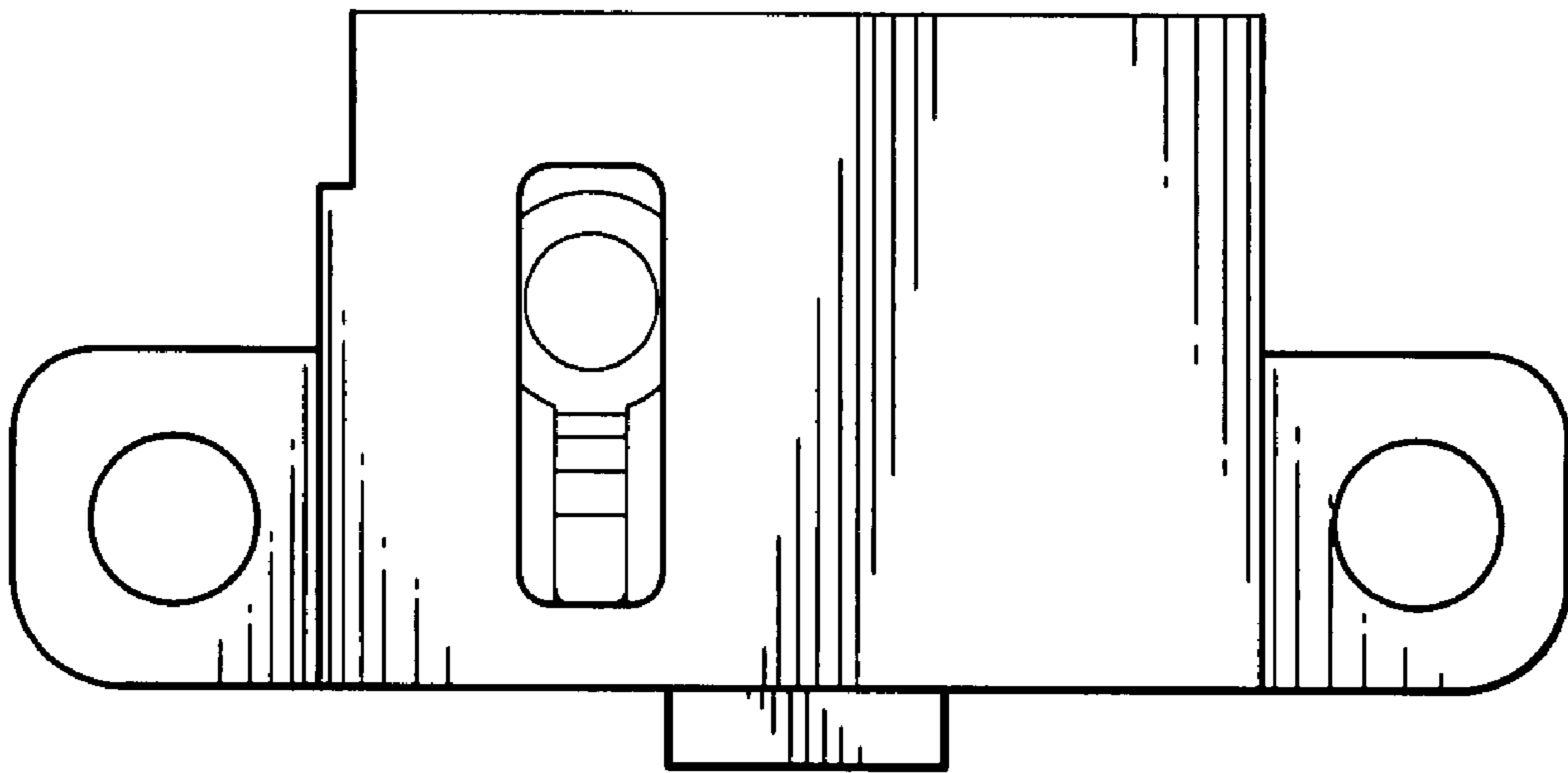


FIG. 7

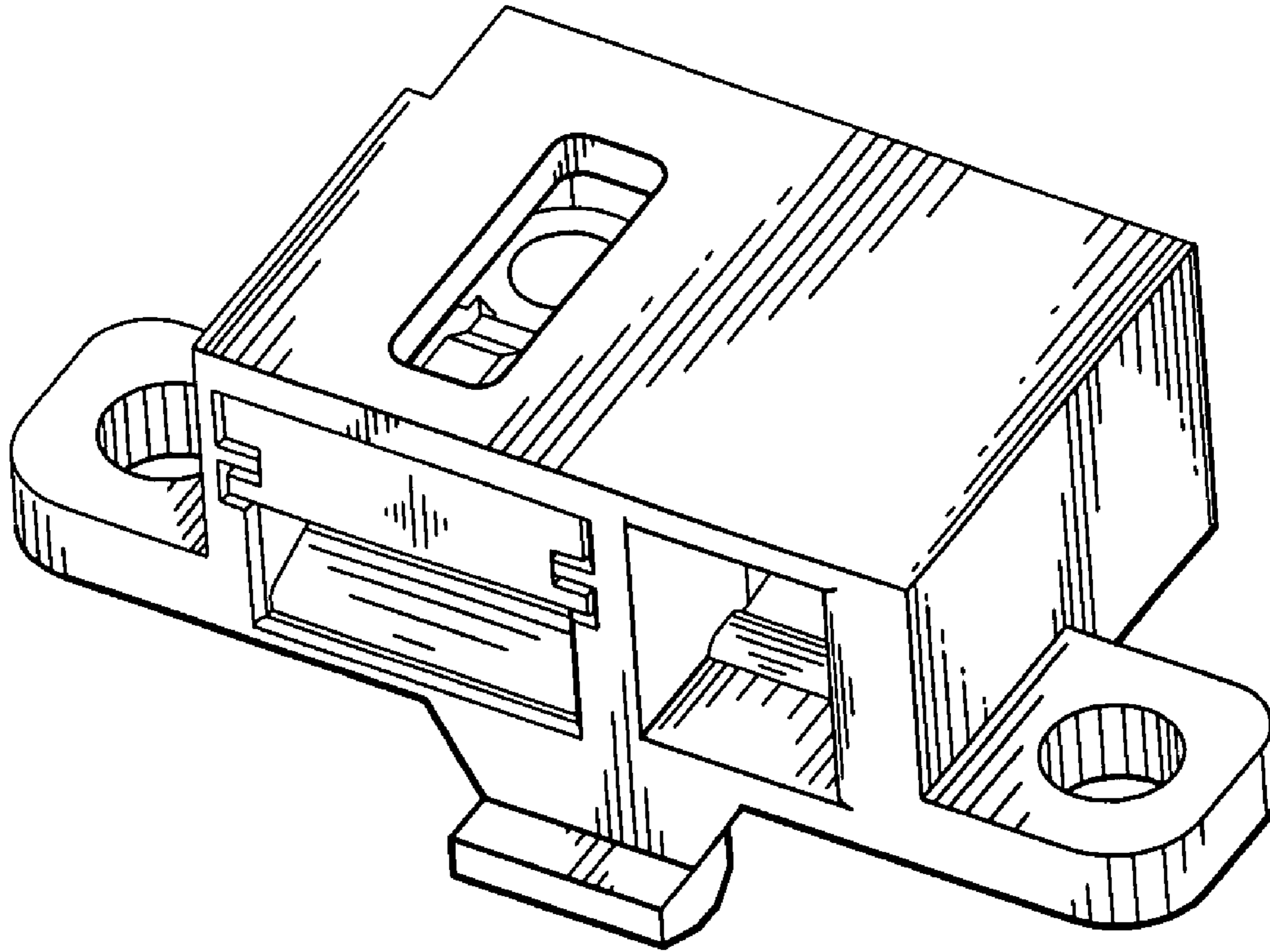


FIG. 8