

US00D578962S

(12) **United States Design Patent**  
**Foreman et al.**

(10) **Patent No.:** **US D578,962 S**

(45) **Date of Patent:** **\*\* Oct. 21, 2008**

(54) **BATTERY HOLDER**

(75) Inventors: **Richard Foreman**, Wayne, IL (US);  
**Kathleen Foreman**, Wayne, IL (US);  
**Timothy Moreau**, DeKalb, IL (US);  
**Brad Cherkas**, Etobicoke (CA)

(73) Assignee: **Tools Aviation, LLC**, St. Charles, IL (US)

(\*\*) Term: **14 Years**

(21) Appl. No.: **29/288,960**

(22) Filed: **Jun. 28, 2007**

**Related U.S. Application Data**

(63) Continuation of application No. 11/218,874, filed on Sep. 2, 2005, now Pat. No. 7,287,648.

(51) **LOC (8) Cl.** ..... **13-02**

(52) **U.S. Cl.** ..... **D13/119**

(58) **Field of Classification Search** ..... D13/103,  
D13/118-119, 184; D3/304, 313, 315; 206/703-705,  
206/461, 462, 471, 477, 485  
See application file for complete search history.

(56) **References Cited**

**U.S. PATENT DOCUMENTS**

D197,862 S *	3/1964	Cohasset et al.	.....	D9/415
D211,640 S *	7/1968	Hugues	.....	D13/119
D222,580 S *	11/1971	Nakakuma	.....	D9/415
D222,581 S *	11/1971	Nakakuma	.....	D9/415
D326,200 S *	5/1992	Allen et al.	.....	D6/479
5,379,894 A *	1/1995	Haas et al.	.....	206/705
D372,701 S *	8/1996	Tahmassebpur	.....	D13/103

D380,611 S *	7/1997	Mancusi	.....	D3/284
5,947,297 A *	9/1999	Aoki et al.	.....	206/705
6,364,115 B1 *	4/2002	Casanova et al.	.....	206/471
6,419,091 B1 *	7/2002	Gaffney et al.	.....	206/703
D483,722 S *	12/2003	Bailey	.....	D13/119
D488,443 S *	4/2004	Bailey	.....	D13/119
D489,684 S *	5/2004	Takeshima et al.	.....	D13/119
D490,057 S *	5/2004	Takeshima et al.	.....	D13/119
7,287,648 B2 *	10/2007	Foreman et al.	.....	206/703
2004/0112790 A1 *	6/2004	Lee et al.	.....	206/703
2006/0000738 A1 *	1/2006	Kumakura et al.	.....	206/470
2007/0051663 A1 *	3/2007	Foreman et al.	.....	206/703

\* cited by examiner

*Primary Examiner*—Jennifer Rivard

*Assistant Examiner*—Rosemary K Tarcza

(74) *Attorney, Agent, or Firm*—The Law Office of Randall T. Erickson, P.C.

(57) **CLAIM**

The ornamental design for a battery holder, as shown and described.

**DESCRIPTION**

FIG. 1 is a top, front perspective view of the battery holder of the present invention;

FIG. 2 is a front view of the battery holder of FIG. 1, the rear view being mirror-image identical;

FIG. 3 is a top view of the battery holder of FIG. 2;

FIG. 4 is a bottom view of the battery holder of FIG. 2;

FIG. 5 is a right side view of the battery holder of FIG. 2; and,

FIG. 6 is a left side view of the battery holder of FIG. 2.

**1 Claim, 3 Drawing Sheets**

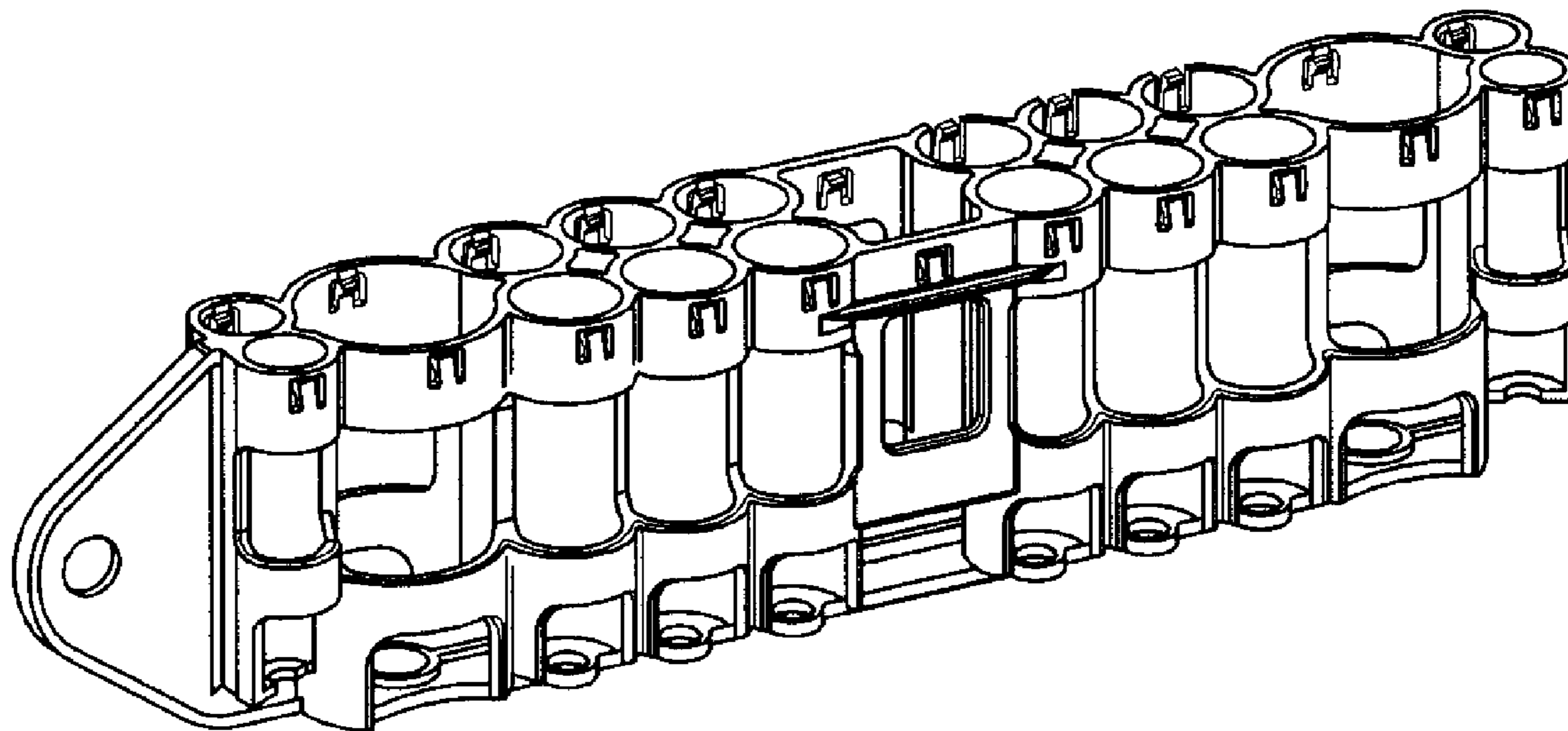


FIG. 1

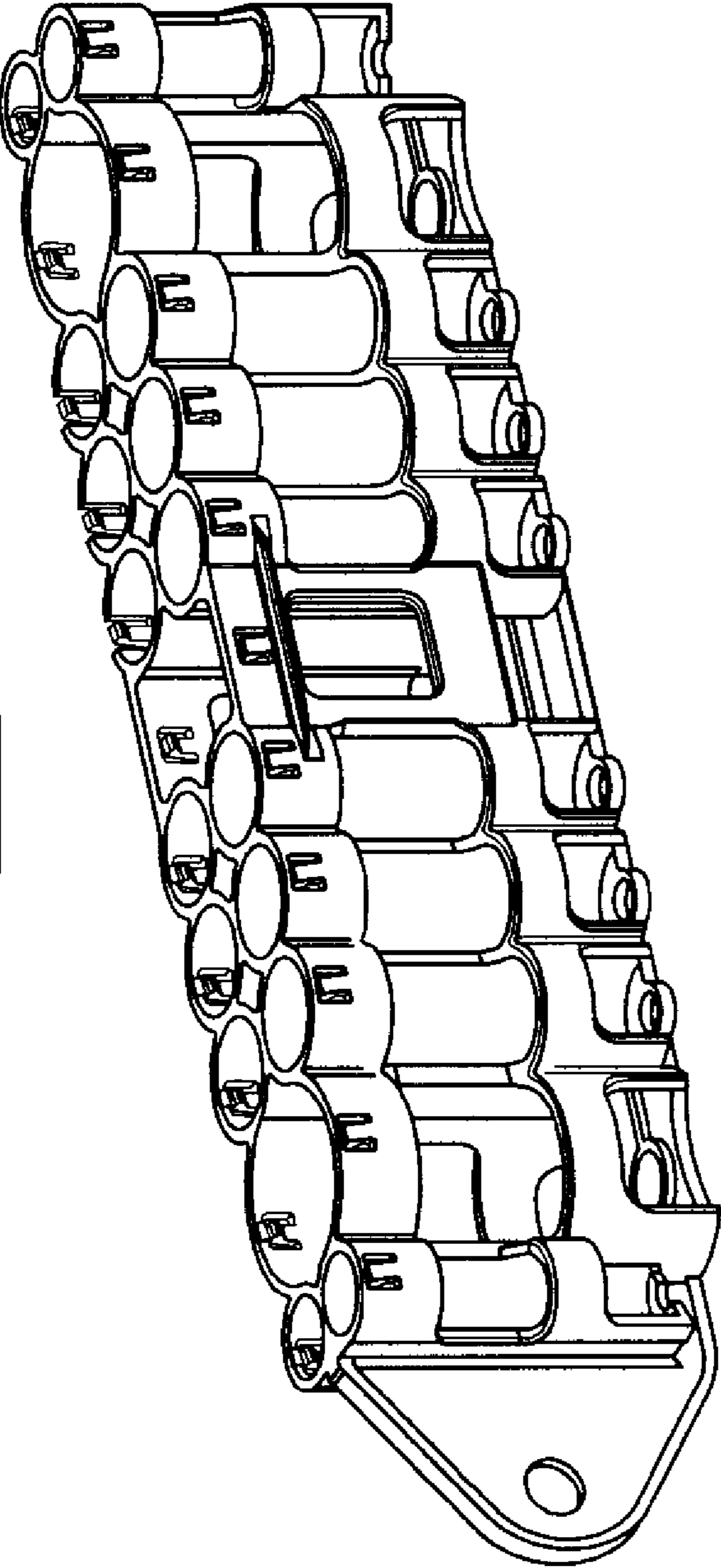


FIG. 2

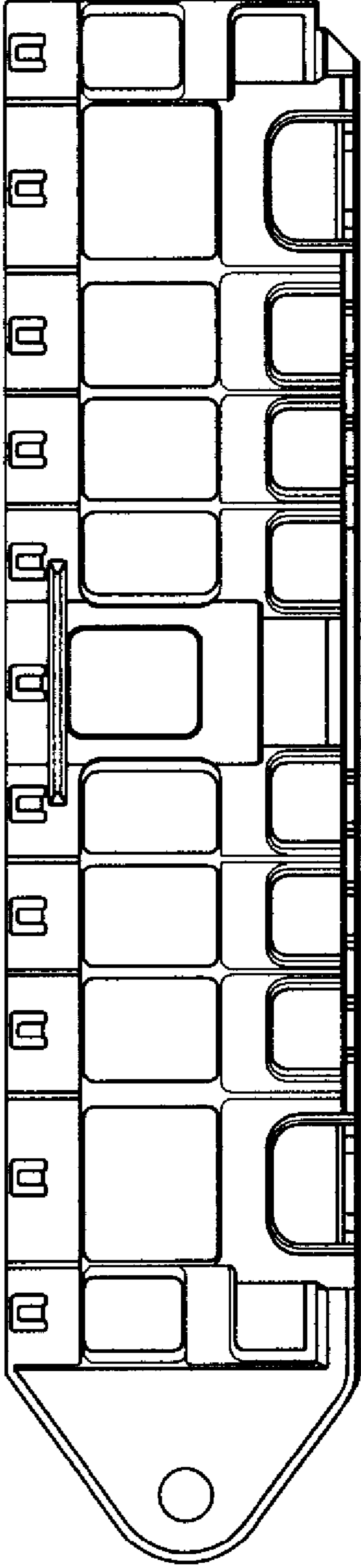


FIG. 3

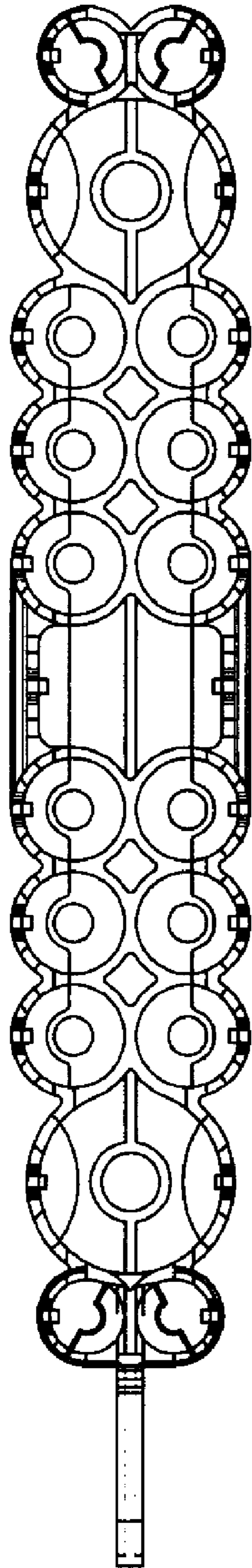


FIG. 4

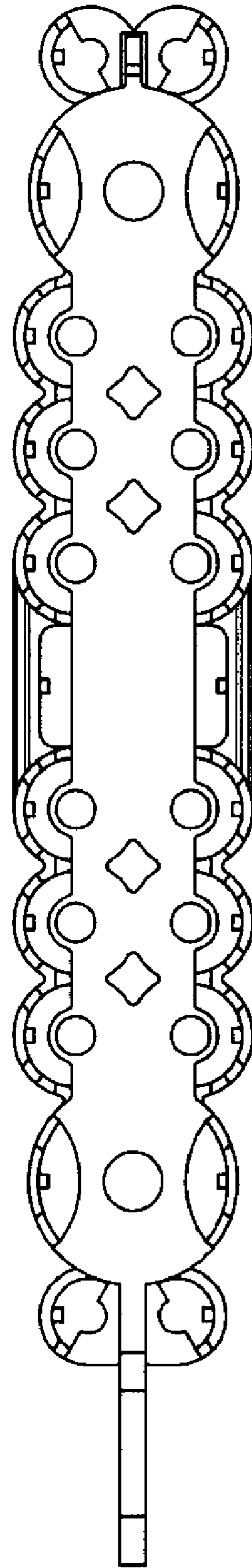


FIG. 5

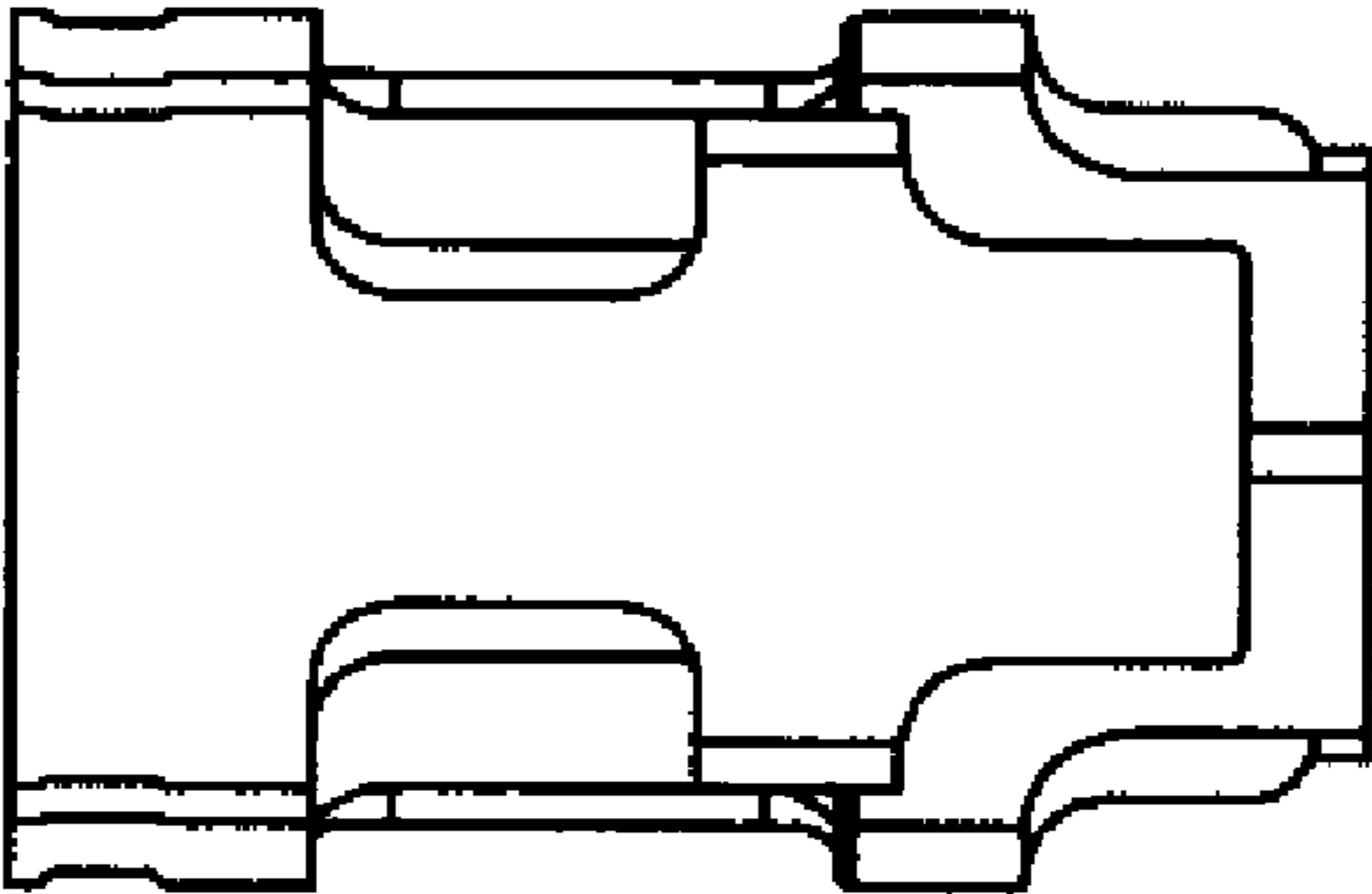


FIG. 6

