

US00D578958S

(12) **United States Design Patent**  
**Kjelstrup Olsen et al.**

(10) **Patent No.:** **US D578,958 S**

(45) **Date of Patent:** **\*\* Oct. 21, 2008**

(54) **SOLAR PANEL BALCONY ENCLOSURE**

(76) Inventors: **Svein Kjelstrup Olsen**, Fjollveien 128, Bergen (NO) 5019; **Terje Vallestad**, 39 Naidrell Close Horsham, West Sussex (GB) RH12 4UG; **John Skjolberg**, Austreviga 24, Hundvag (NO) 4085

(\*\*) Term: **14 Years**

(21) Appl. No.: **29/280,782**

(22) Filed: **Jun. 7, 2007**

(51) **LOC (8) Cl.** ..... **13-02**

(52) **U.S. Cl.** ..... **D13/102**

(58) **Field of Classification Search** ..... D13/102, D13/101, 184, 199; D25/1, 68; 126/906; 136/206, 244, 251, 291

See application file for complete search history.

(56) **References Cited**

**U.S. PATENT DOCUMENTS**

- D267,347 S \* 12/1982 Walsh ..... D25/124
- D280,234 S \* 8/1985 Takeuchi et al. .... D13/102
- 5,228,924 A \* 7/1993 Barker et al. .... 136/246

- D448,722 S \* 10/2001 Drummond ..... D13/102
- 6,346,669 B1 \* 2/2002 Itoh ..... 136/244
- D487,884 S \* 3/2004 Peress et al. .... D13/102
- D519,444 S \* 4/2006 Mascolo ..... D13/102
- 2004/0128923 A1 \* 7/2004 Moulder et al. .... 52/173.1

\* cited by examiner

*Primary Examiner*—Prabhakar Deshmukh

*Assistant Examiner*—Derrick Holland

(74) *Attorney, Agent, or Firm*—Christian D. Abel

(57) **CLAIM**

The ornamental design for a solar panel balcony enclosure, as shown and described.

**DESCRIPTION**

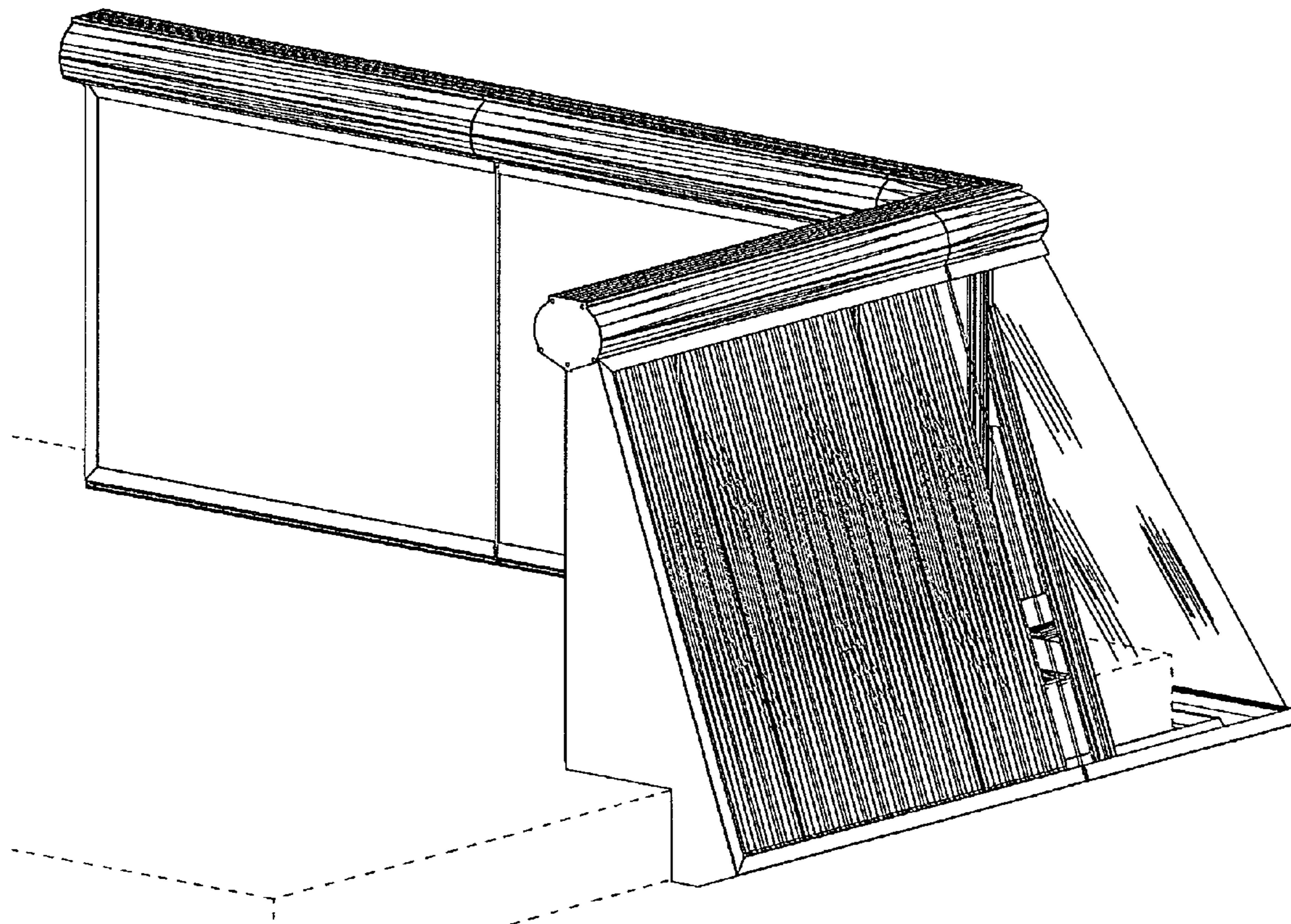
FIG. 1 is a perspective view of a solar panel balcony enclosure with a partial cut-away to illustrate transparency.

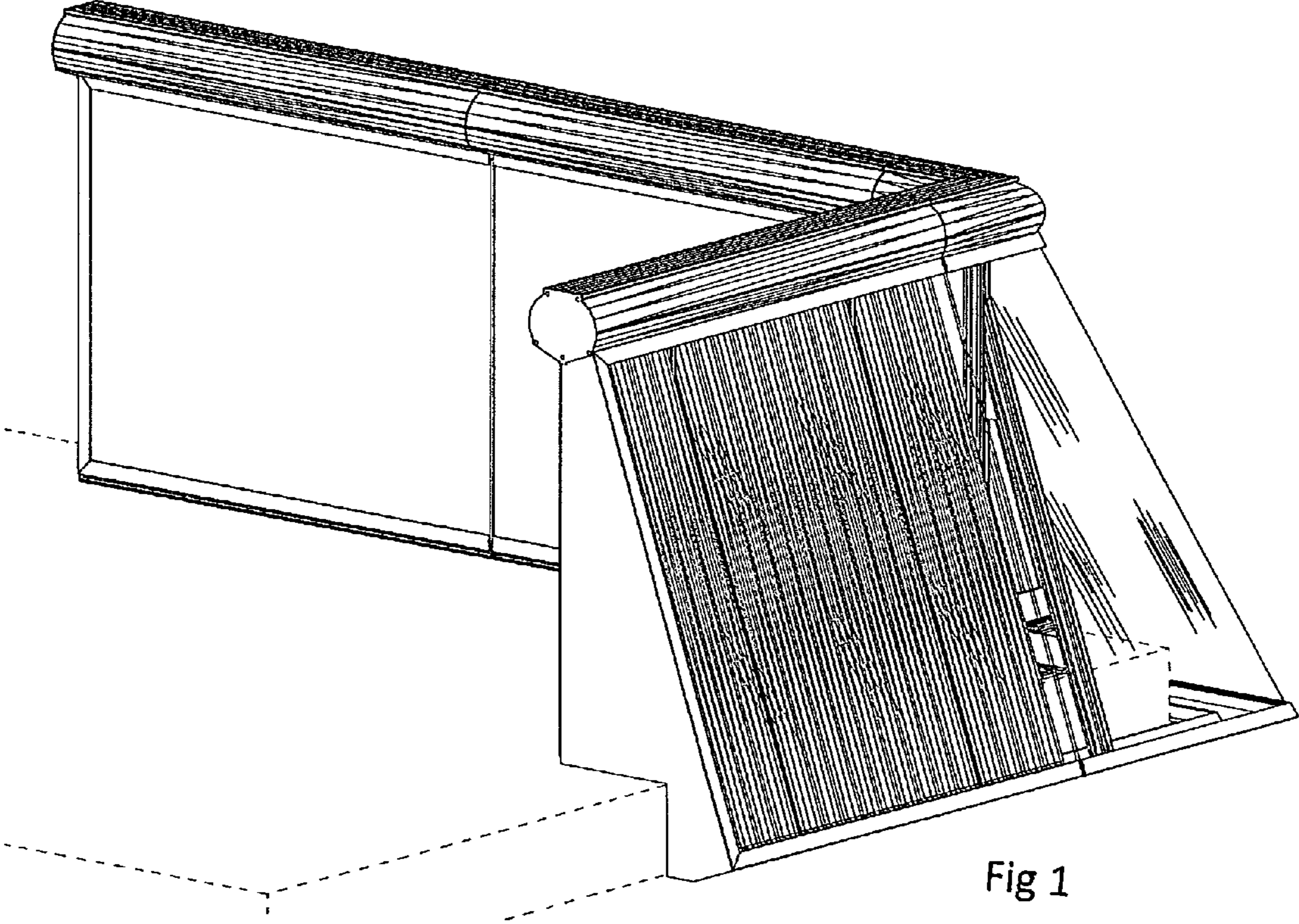
FIG. 2 is another perspective view thereof with a partial cut-away to illustrate transparency; and,

FIG. 3 is a partial enlarged view thereof, of one end.

The broken lines showing environmental structure are for illustrative purposes and form no part of the claimed design.

**1 Claim, 3 Drawing Sheets**





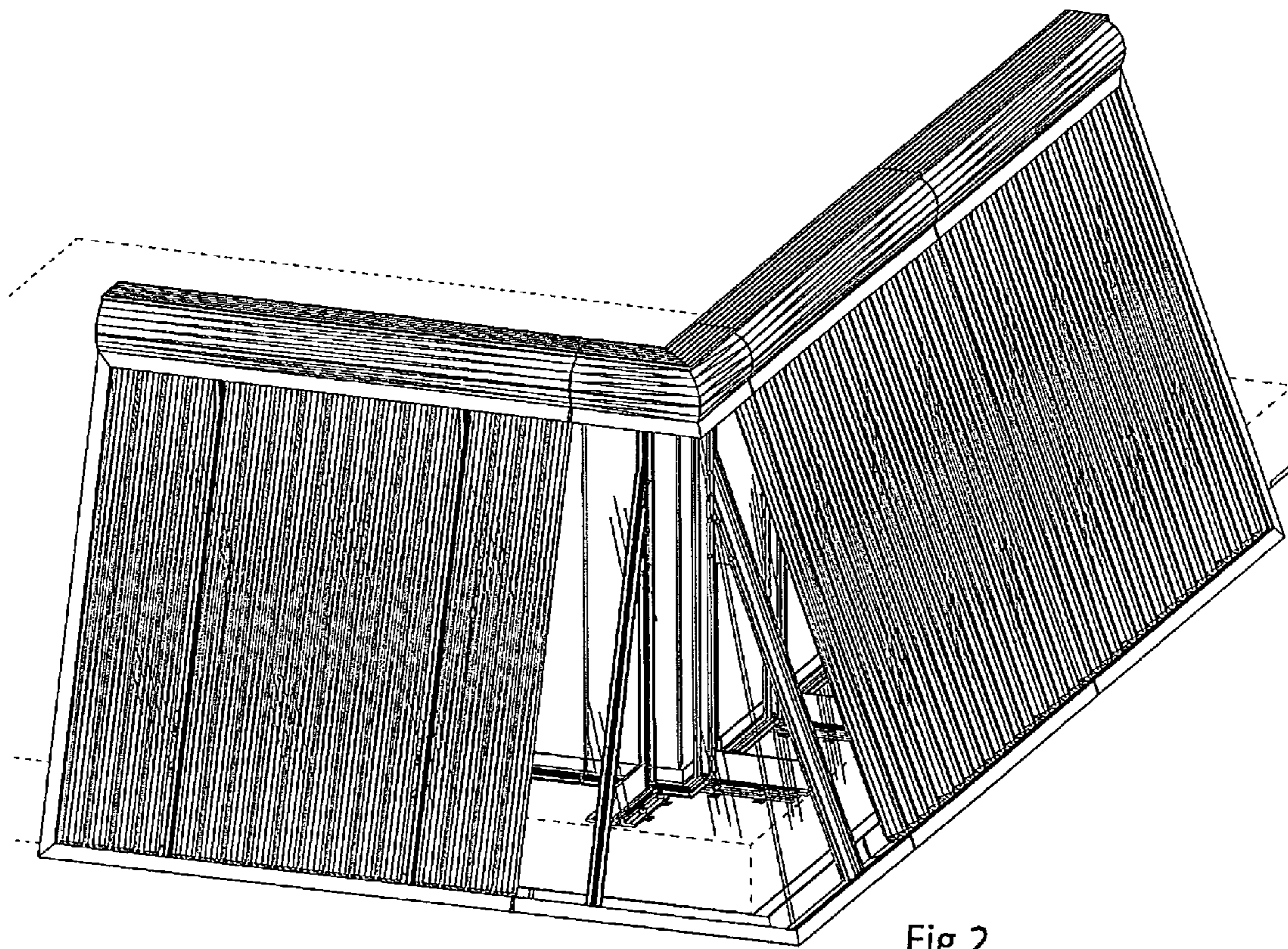


Fig 2

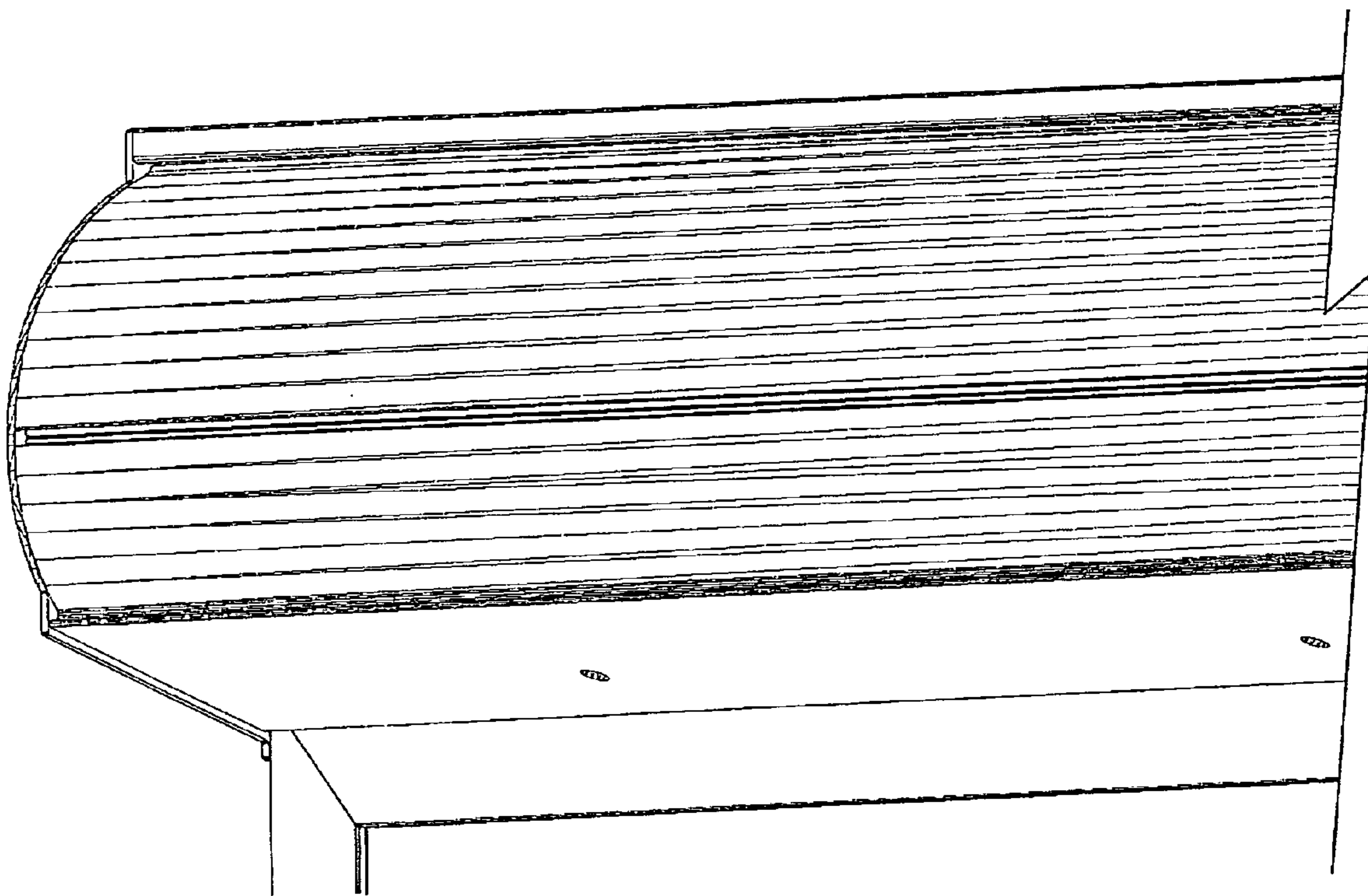


Fig 3

UNITED STATES PATENT AND TRADEMARK OFFICE  
**CERTIFICATE OF CORRECTION**

PATENT NO. : Des. 578,958 S  
APPLICATION NO. : 29/280782  
DATED : October 21, 2008  
INVENTOR(S) : Svein Kjelstrup Olsen, Terje Vallestad and John Skjolberg

Page 1 of 1

It is certified that error appears in the above-identified patent and that said Letters Patent is hereby corrected as shown below:

Title Page Item [75]

The address of the first-named inventor should read, "Fjellveien" 128, and the address of the second-named inventor should read, "Naldrett" Close Horsham.

Signed and Sealed this

Thirtieth Day of December, 2008

A handwritten signature in black ink that reads "Jon W. Dudas". The signature is written in a cursive style with a large, looped initial "J".

JON W. DUDAS

*Director of the United States Patent and Trademark Office*