



US00D578955S

(12) **United States Design Patent**  
**Fontaine et al.**

(10) **Patent No.:** **US D578,955 S**  
(45) **Date of Patent:** **\*\* Oct. 21, 2008**

(54) **TIRE**  
(75) Inventors: **Sebastien Willy Fontaine**, Burden (LU);  
**Jerome Marcel Germain Delu**, Bridel  
(LU); **Michel Marguerite Walther**  
**Ghislain Constant**, Bastogne (BE)

(73) Assignee: **The Goodyear Tire & Rubber**  
**Company**, Akron, OH (US)

(\*\*) Term: **14 Years**

(21) Appl. No.: **29/306,840**

(22) Filed: **Apr. 17, 2008**

(51) **LOC (8) Cl.** ..... **12-15**

(52) **U.S. Cl.** ..... **D12/524**

(58) **Field of Classification Search** ..... D12/505-532,  
D12/901; 152/209.1, 209.8-209.13, 209.28,  
152/455, 209.18, 209.25

See application file for complete search history.

(56) **References Cited**

**U.S. PATENT DOCUMENTS**

D456,762 S *	5/2002	Graas	.....	D12/524
D476,946 S *	7/2003	Lee et al.	.....	D12/524
D490,045 S	5/2004	Delu et al.	.....	D12/519
D490,047 S	5/2004	Heinen et al.	.....	D12/524
D490,048 S	5/2004	Heinen et al.	.....	D12/524
D490,049 S	5/2004	Heinen et al.	.....	D12/524
D512,013 S	11/2005	Delu et al.	.....	D12/521
D513,603 S *	1/2006	Shondel	.....	D12/524
D515,021 S	2/2006	Delu et al.	.....	D12/524
D517,976 S *	3/2006	Raatikainen	.....	D12/518
D522,442 S	6/2006	Shirouzu	.....	D12/515
D524,232 S	7/2006	Heinen et al.	.....	D12/521
D524,235 S	7/2006	Marazzi et al.	.....	D12/523
D524,236 S	7/2006	Marazzi et al.	.....	D12/524
D531,108 S	10/2006	Marazzi et al.	.....	D12/523

D533,133 S	12/2006	Heinen et al.	.....	D12/599
D546,272 S *	7/2007	Shinohara et al.	.....	D12/521
D558,129 S *	12/2007	Sato et al.	.....	D12/524

\* cited by examiner

*Primary Examiner*—Stacia Cadmus

(74) *Attorney, Agent, or Firm*—Richard B. O’Planick

(57) **CLAIM**

The ornamental Design for a tire, as shown and described.

**DESCRIPTION**

FIG. 1 is a perspective view of a tire showing our new design, it being understood that the pattern repeats uniformly throughout the circumference of the tread;

FIG. 2 is a front elevational view thereof;

FIG. 3 is a right side elevational view thereof; the opposite side elevational view being identical thereto;

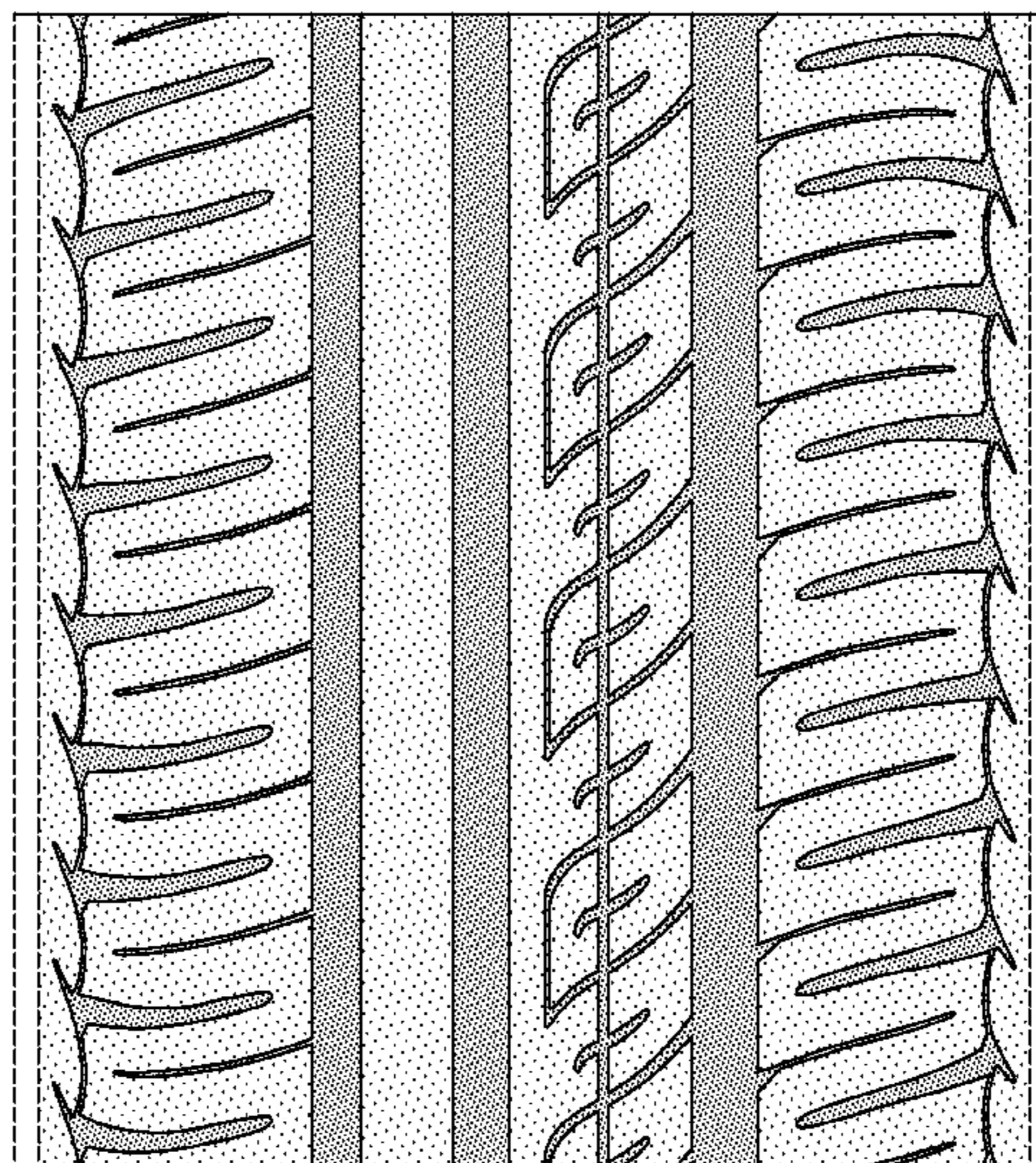
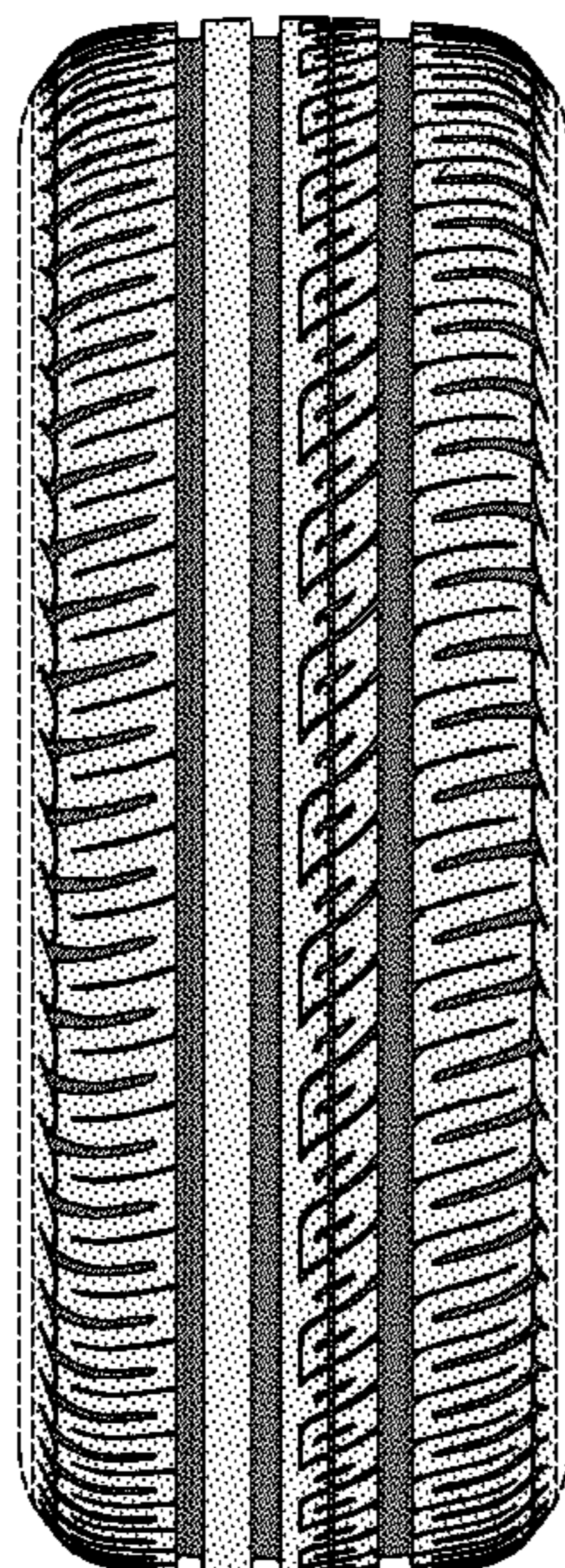
FIG. 4 is an enlarged fragmentary front elevational view thereof;

FIG. 5 is a perspective view of a second embodiment of a tire showing our new design, it being understood that the pattern repeats uniformly throughout the circumference of the tread and that the opposite side perspective view is identical thereto; and,

FIG. 6 is a front elevational view of a second embodiment, it being understood that an enlarged fragmentary view thereof would be substantially identical to that shown in FIG. 4, with the exception of the inclusion of the sidewall in solid lines.

In the drawings the broken lines defining the sidewall, inner bead and the peripheral boundary between the tire tread and the sidewall in FIGS. 1 through 4 are for illustrative purposes only and form no part of the claimed design.

**1 Claim, 6 Drawing Sheets**





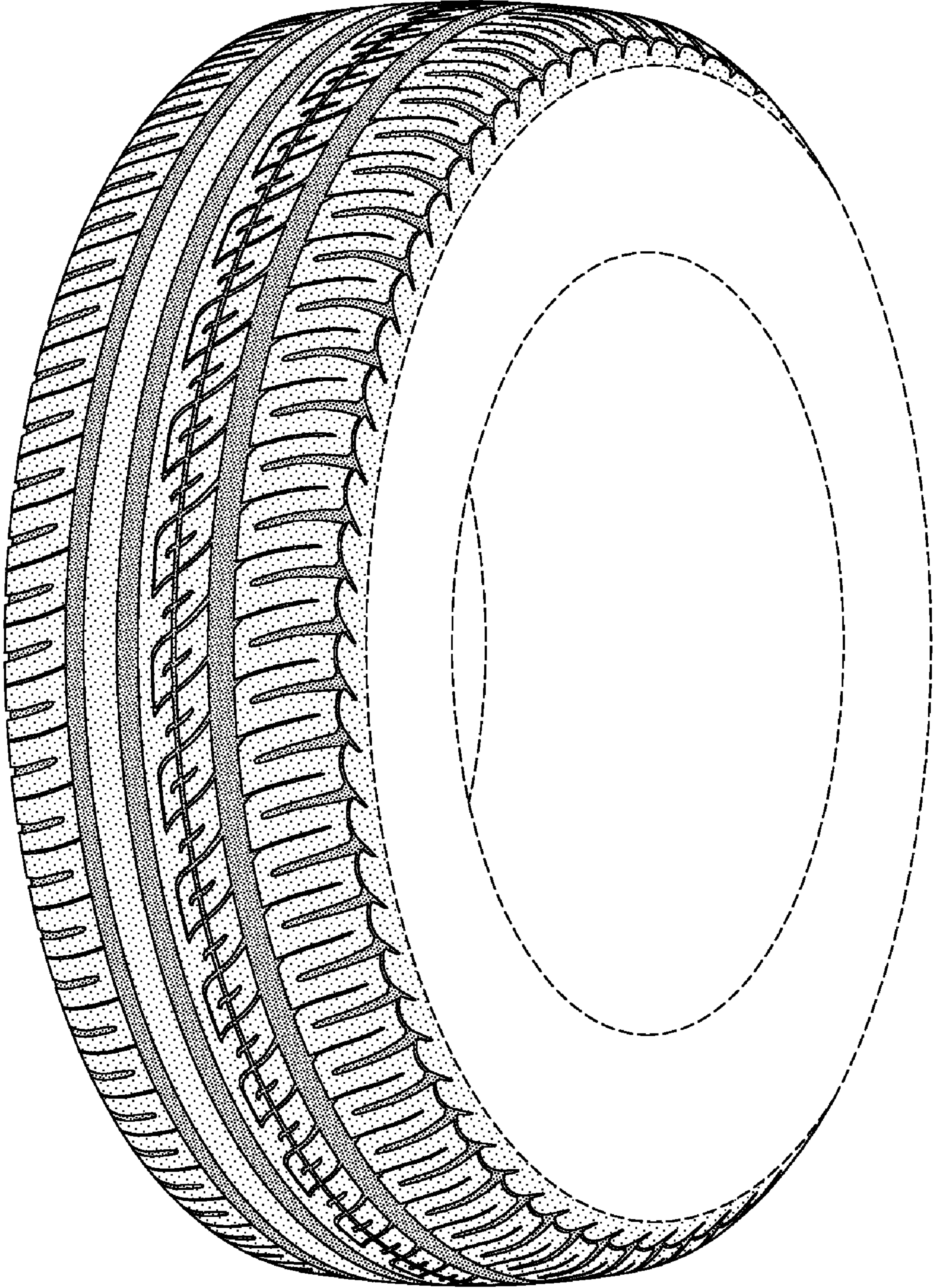


FIG-1

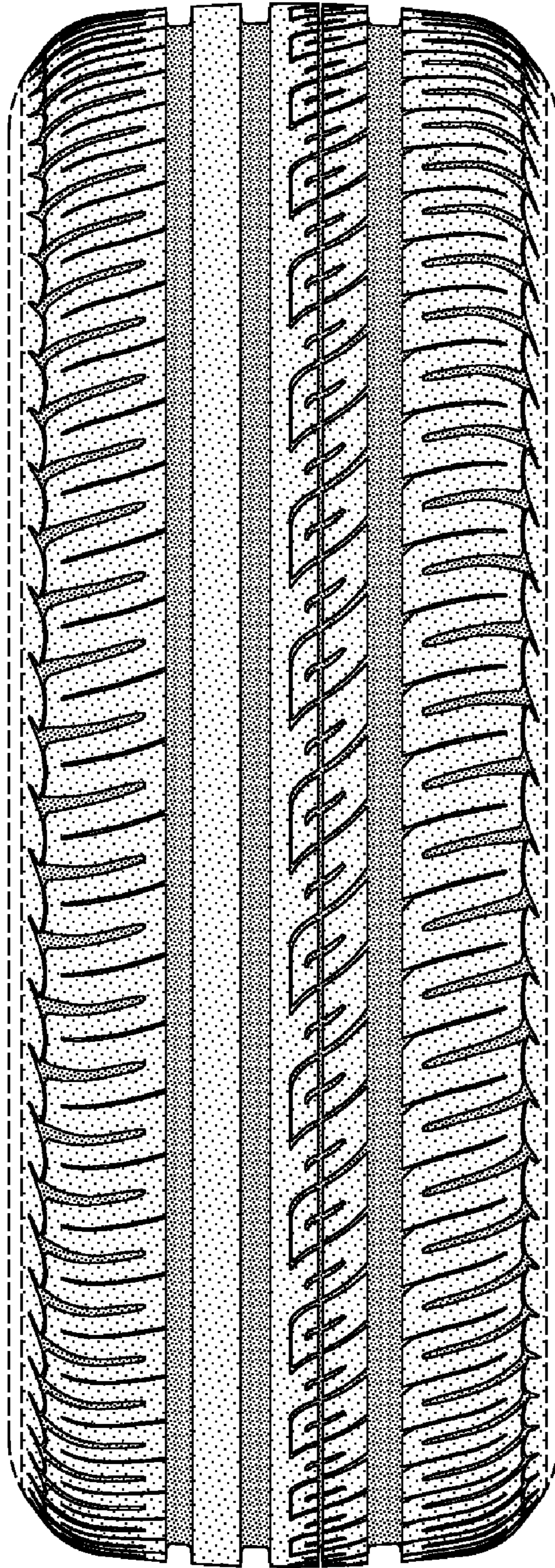


FIG-2



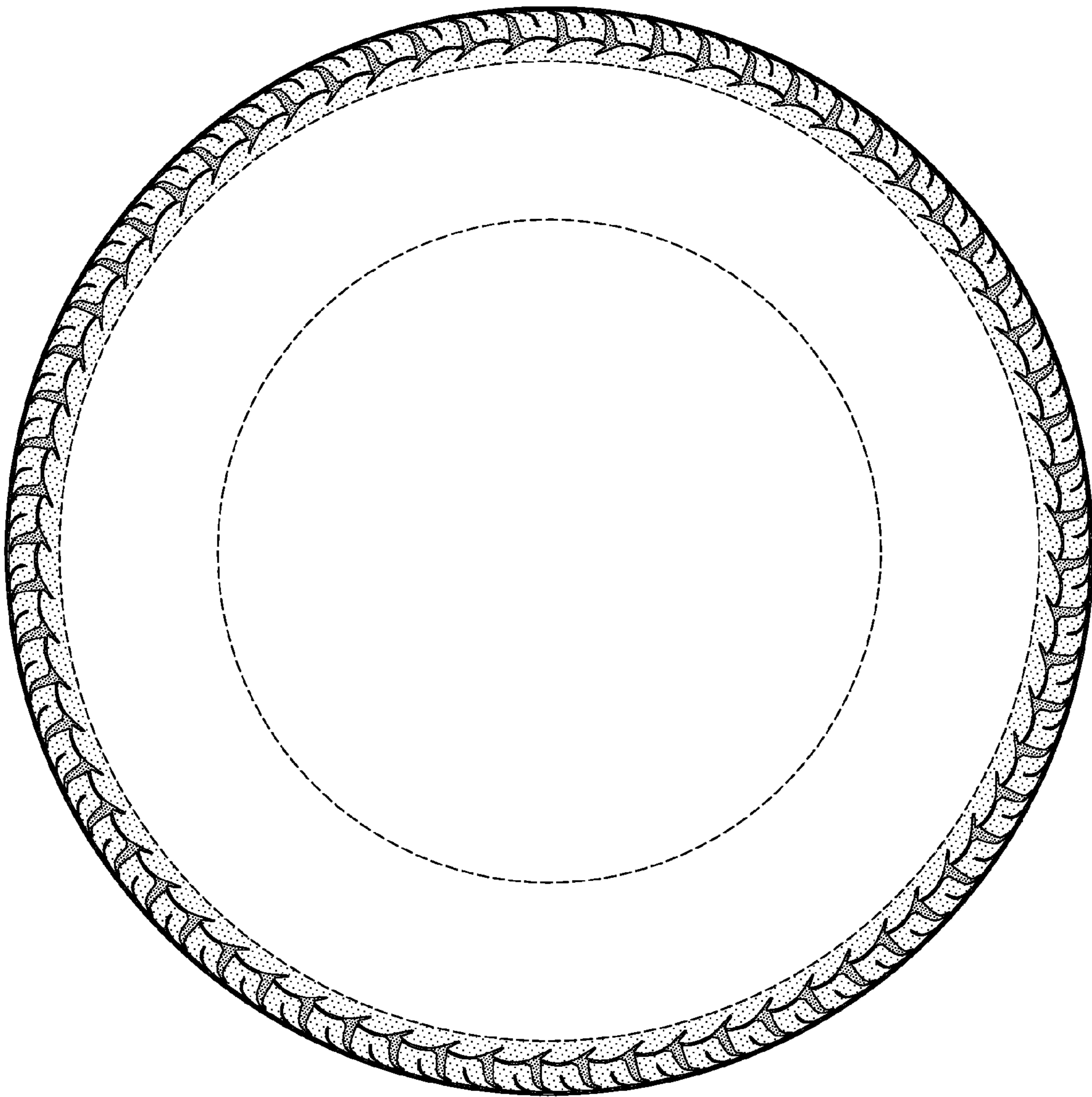


FIG-3

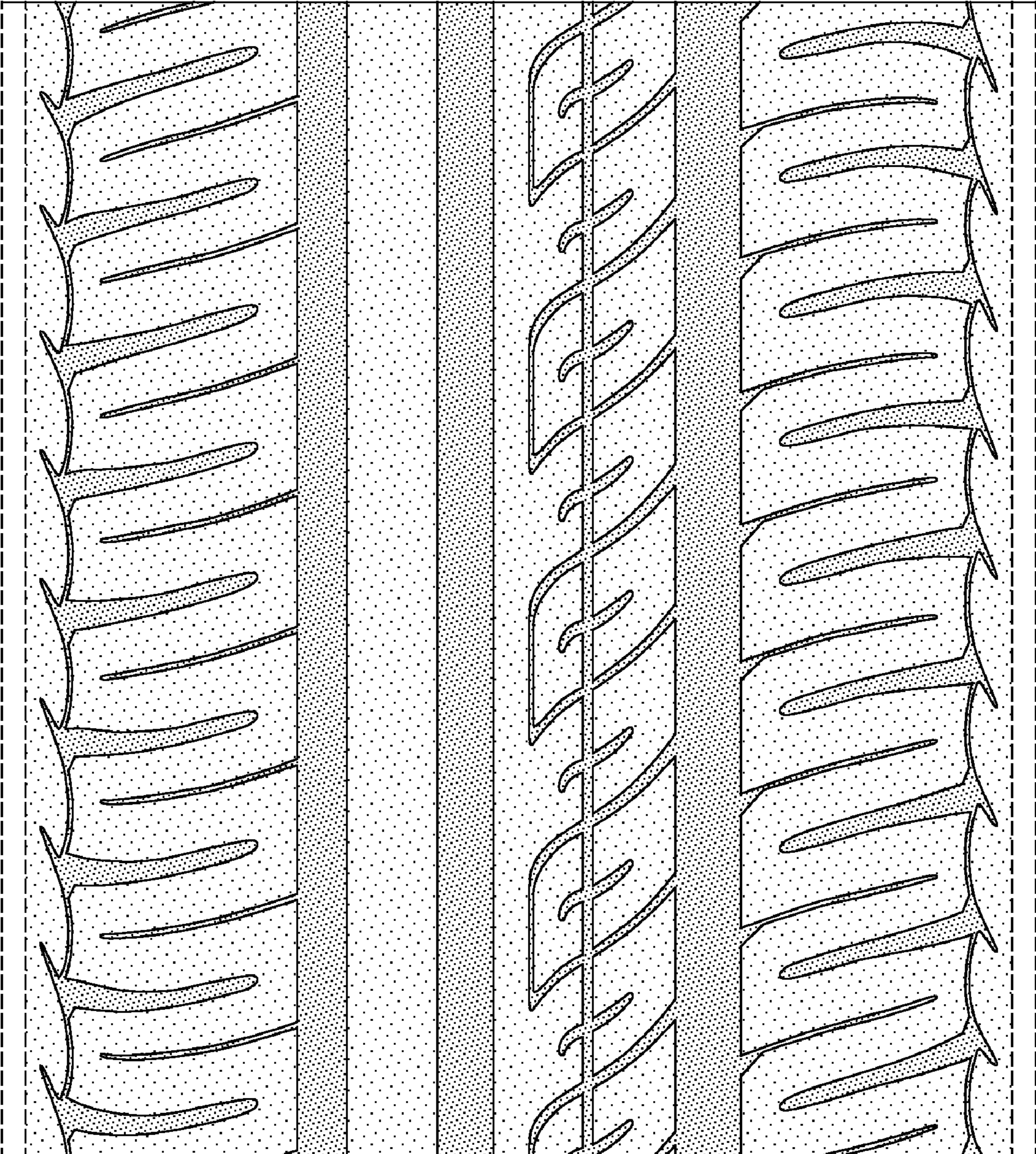


FIG-4



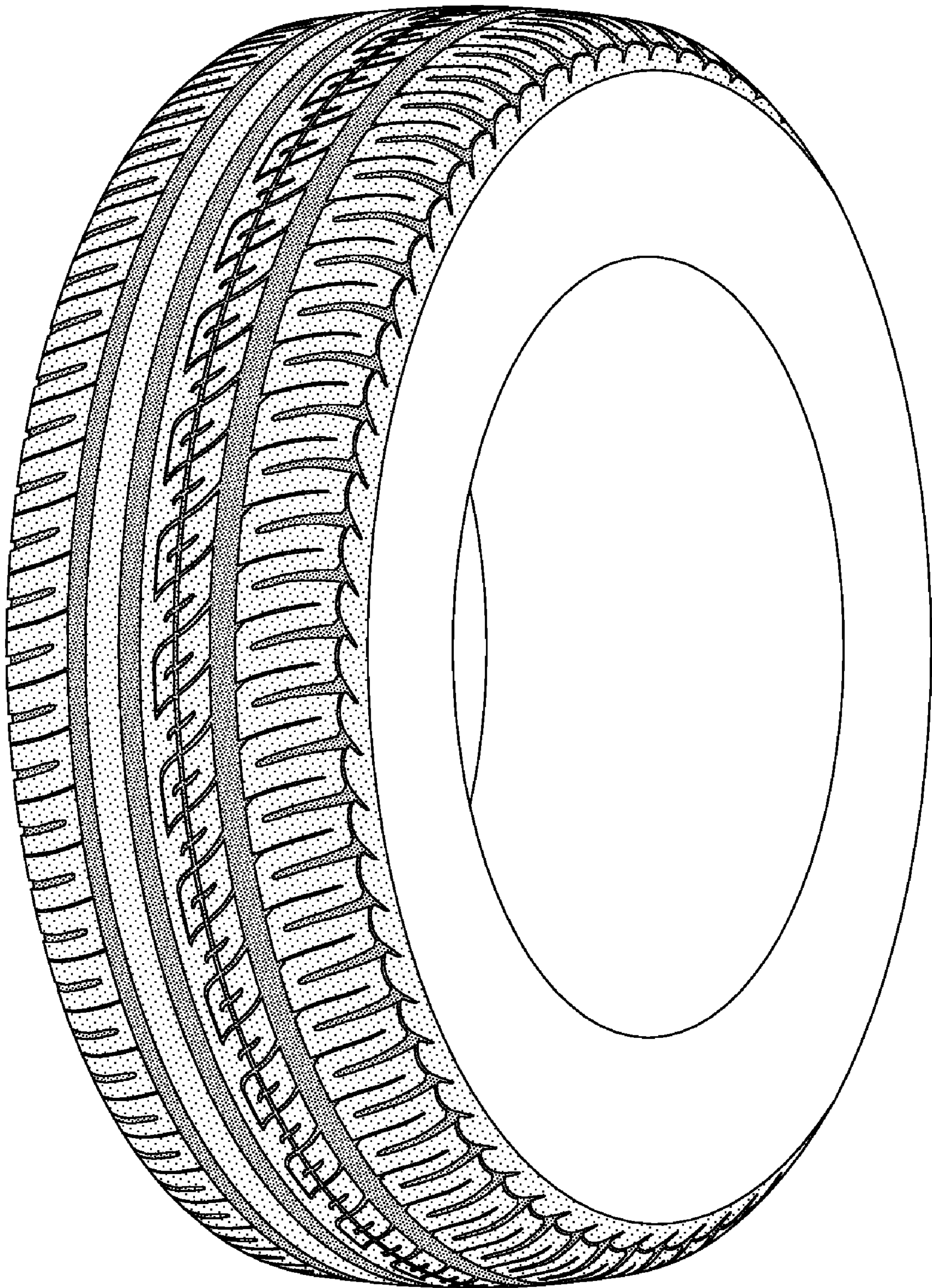


FIG-5

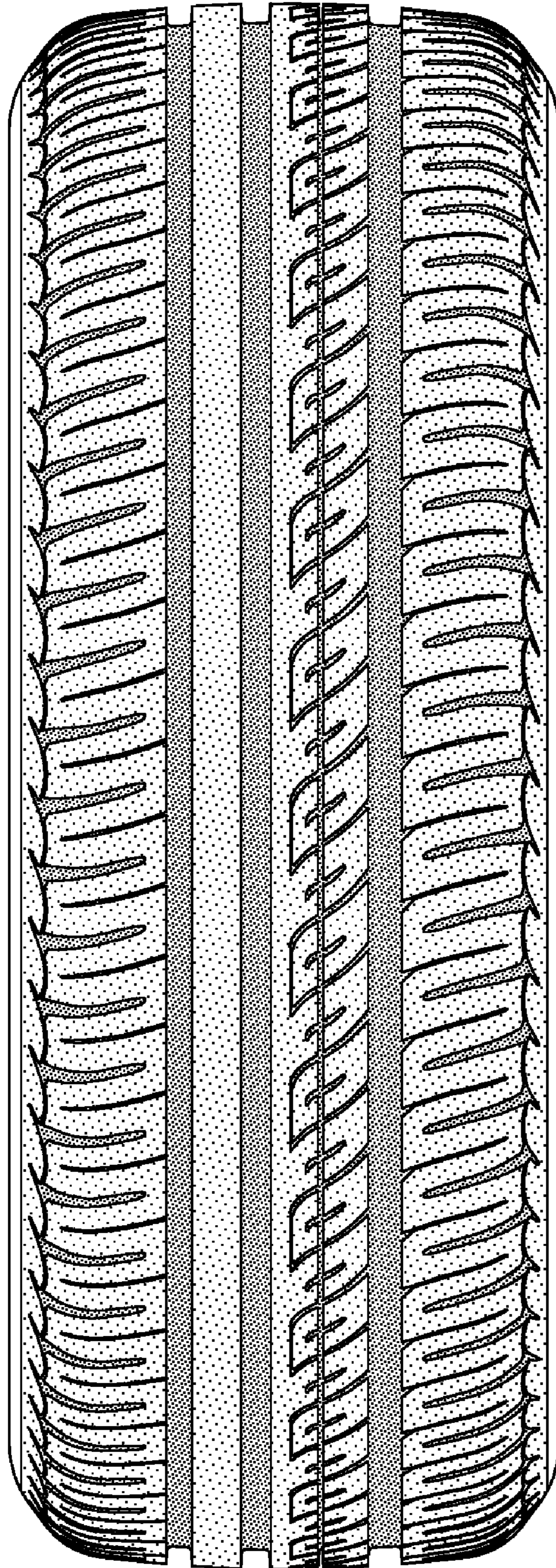


FIG-6