



US00D578954S

(12) **United States Design Patent**  
**Harvey et al.**

(10) **Patent No.:** **US D578,954 S**

(45) **Date of Patent:** **\*\* Oct. 21, 2008**

(54) **TIRE**

D549,156 S \* 8/2007 Umstot et al. .... D12/512  
D568,233 S \* 5/2008 Dixon et al. .... D12/512

(75) Inventors: **Delwyn Lovell Harvey**, North Canton, OH (US); **Joseph Thomas Janesh**, Tallmadge, OH (US); **James Kenneth Niedermier**, Cuyahoga Falls, OH (US); **Michael Thomas Driscoll**, Norton, OH (US); **Timothy Michael Rooney**, Munroe Falls, OH (US); **Brian David Digman**, Cuyahoga Falls, OH (US); **Richard Mark Wieland**, Akron, OH (US)

\* cited by examiner

*Primary Examiner*—Stacia Cadmus

(74) *Attorney, Agent, or Firm*—Richard B. O’Planick

(57) **CLAIM**

The ornamental design for a tire, as shown and described.

**DESCRIPTION**

FIG. 1 is a perspective view of a tire showing our new design, it being understood that the pattern repeats uniformly throughout the circumference of the tread;

FIG. 2 is a front elevational view thereof;

FIG. 3 is a right side elevational view thereof;

FIG. 4 is a left side elevational view thereof;

FIG. 5 is an enlarged fragmentary front elevational view thereof;

FIG. 6 is a perspective view of a second embodiment of a tire showing our new design, it being understood that the pattern repeats uniformly throughout the circumference of the tread; and,

FIG. 7 is a front elevational view of a second embodiment, it being understood that an enlarged fragmentary view thereof would be substantially identical to that shown in FIG. 4, with the exception of the inclusion of the sidewall in solid lines.

In the drawings the broken lines defining the sidewall, inner bead and the peripheral boundary between the tire tread and the sidewall in FIGS. 1 through 5 are for illustrative purposes only and form no part of the claimed design.

(73) Assignee: **The Goodyear Tire & Rubber Company**, Akron, OH (US)

(\*\*) Term: **14 Years**

(21) Appl. No.: **29/317,739**

(22) Filed: **May 6, 2008**

(51) **LOC (8) Cl.** ..... **12-15**

(52) **U.S. Cl.** ..... **D12/512; D12/605**

(58) **Field of Classification Search** ..... D12/505–532, D12/544, 579, 600–601, 900–901, 605; 152/209.1, 152/209.8–209.13, 209.28, 455, 209.18, 152/209.25

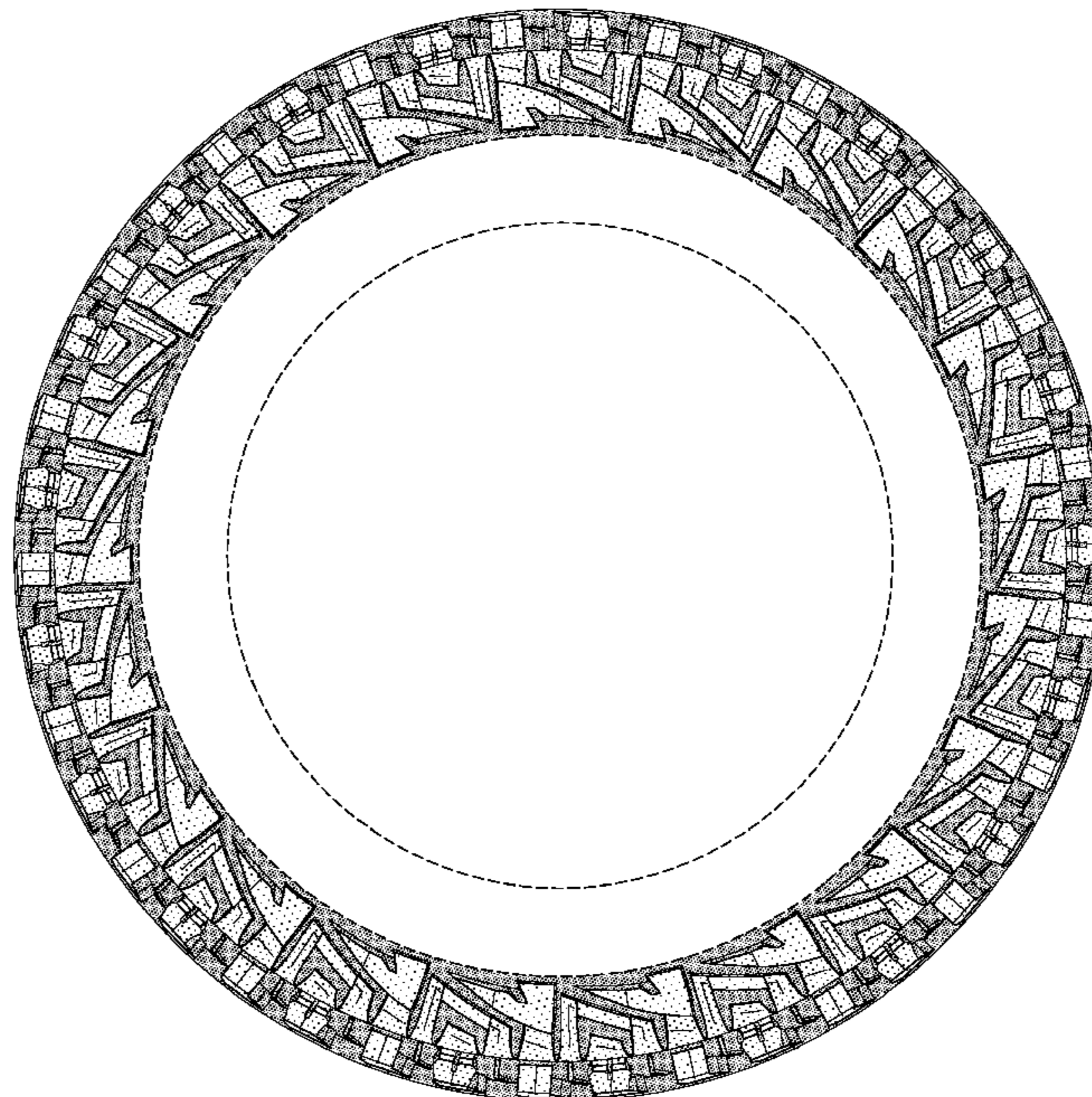
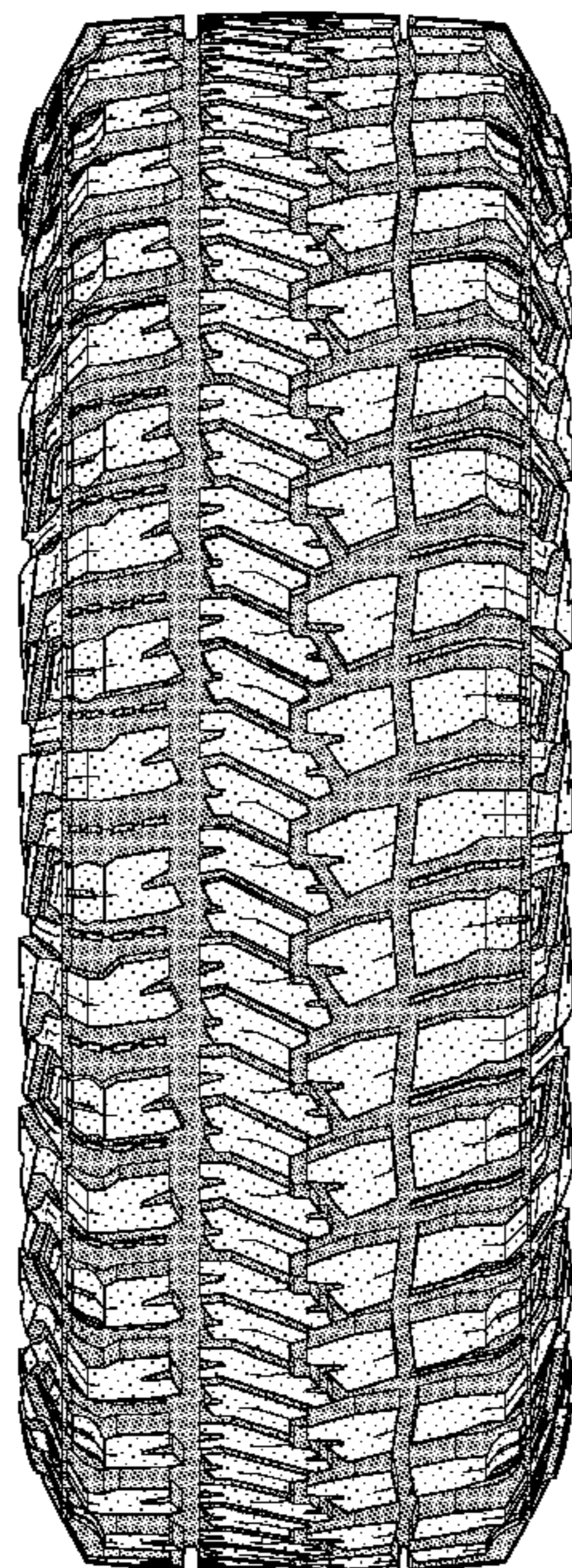
See application file for complete search history.

(56) **References Cited**

**U.S. PATENT DOCUMENTS**

D326,075 S *	5/1992	Covert et al. ....	D12/512
D344,049 S	2/1994	Brown et al. ....	D12/147
D388,038 S *	12/1997	Ratliff, Jr. ....	D12/512
D412,687 S *	8/1999	Ratliff, Jr. ....	D12/512
D428,838 S	8/2000	Maxwell ....	D12/149

**1 Claim, 7 Drawing Sheets**



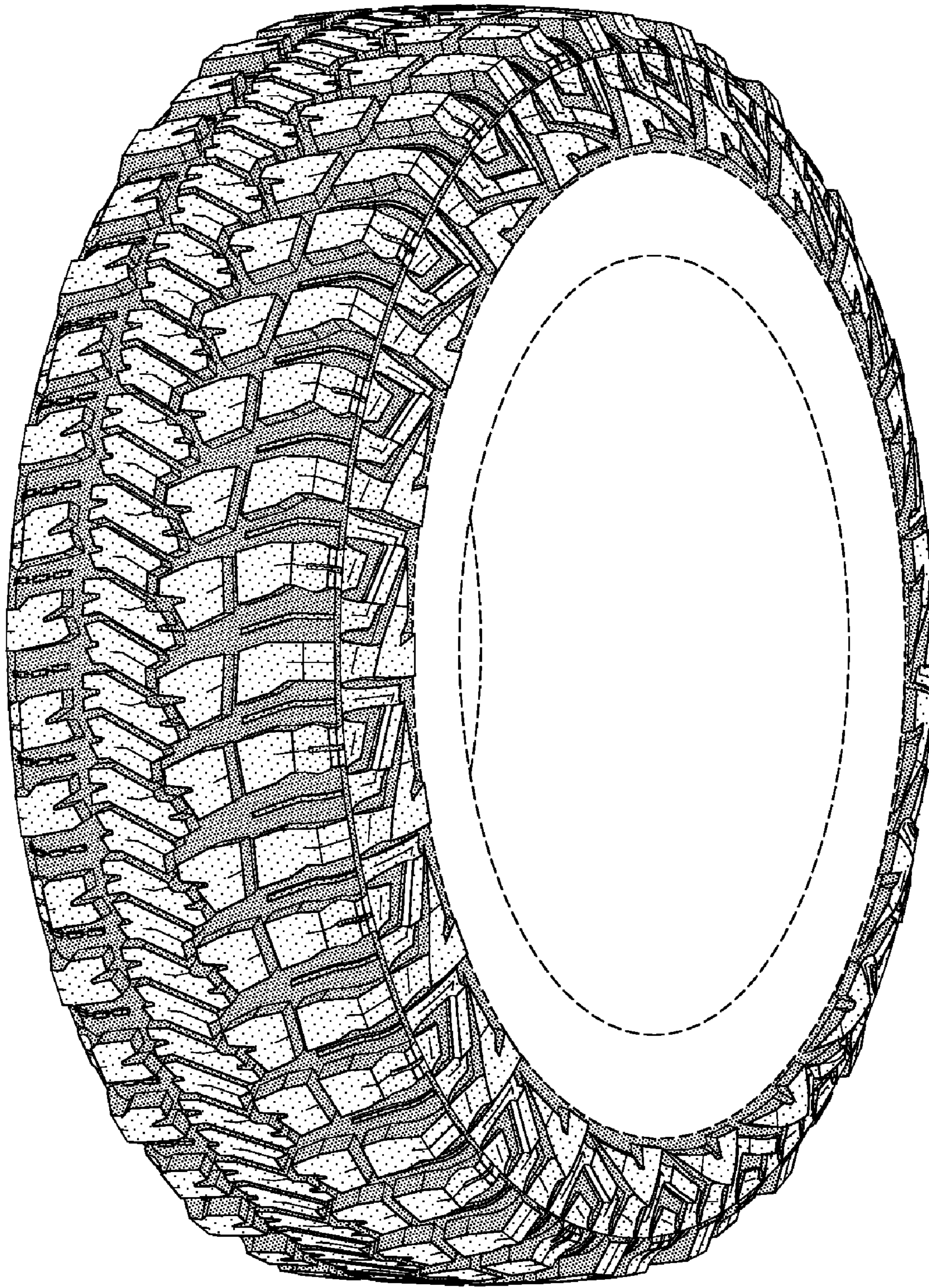


FIG-1

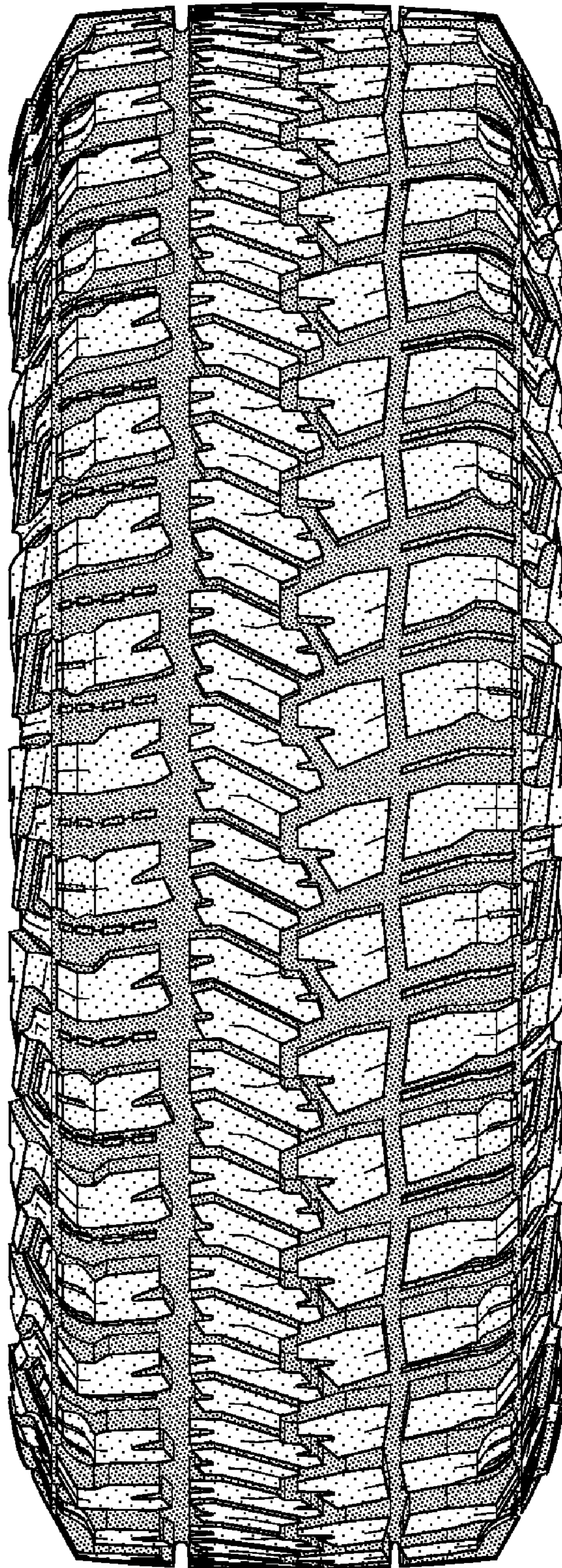


FIG-2

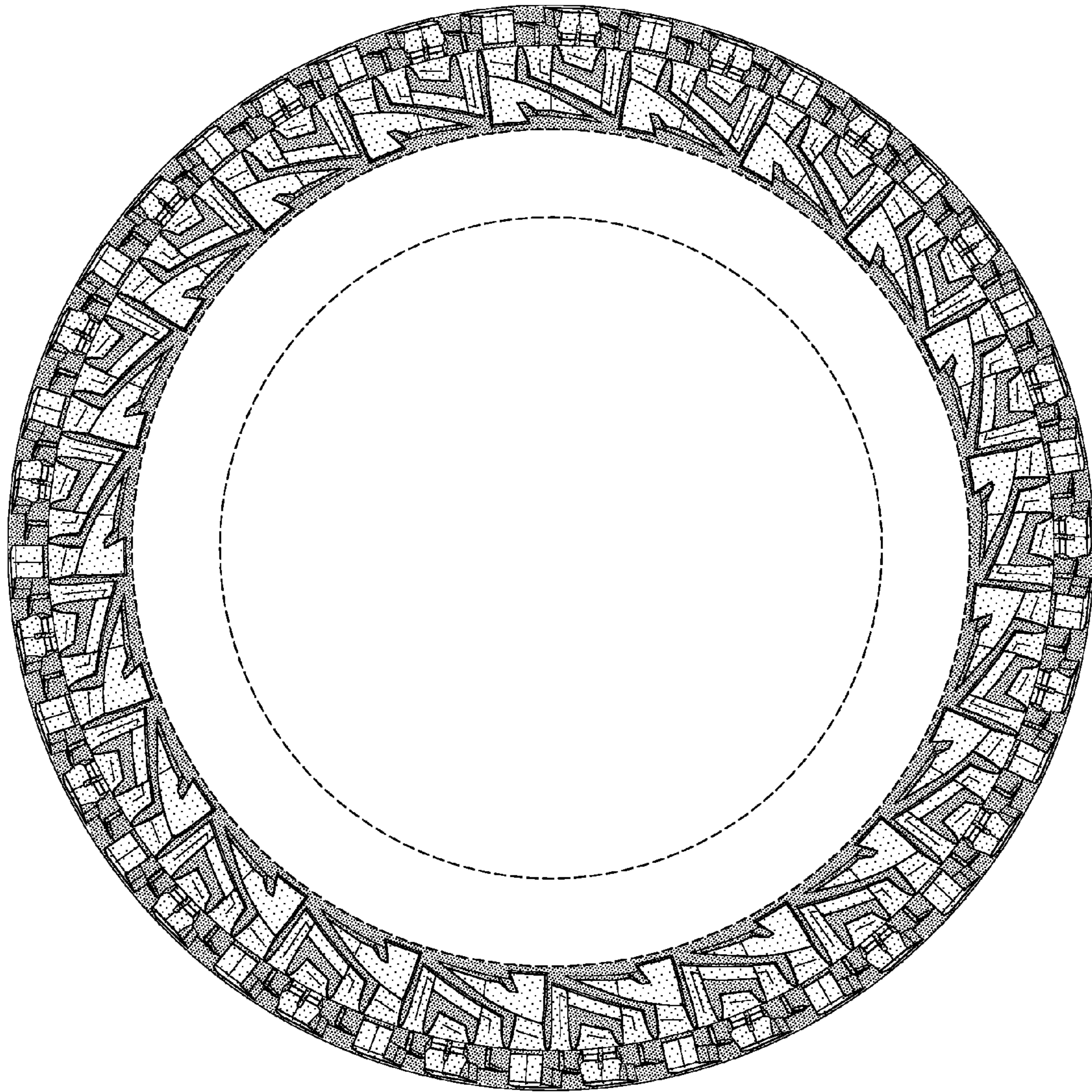


FIG-3

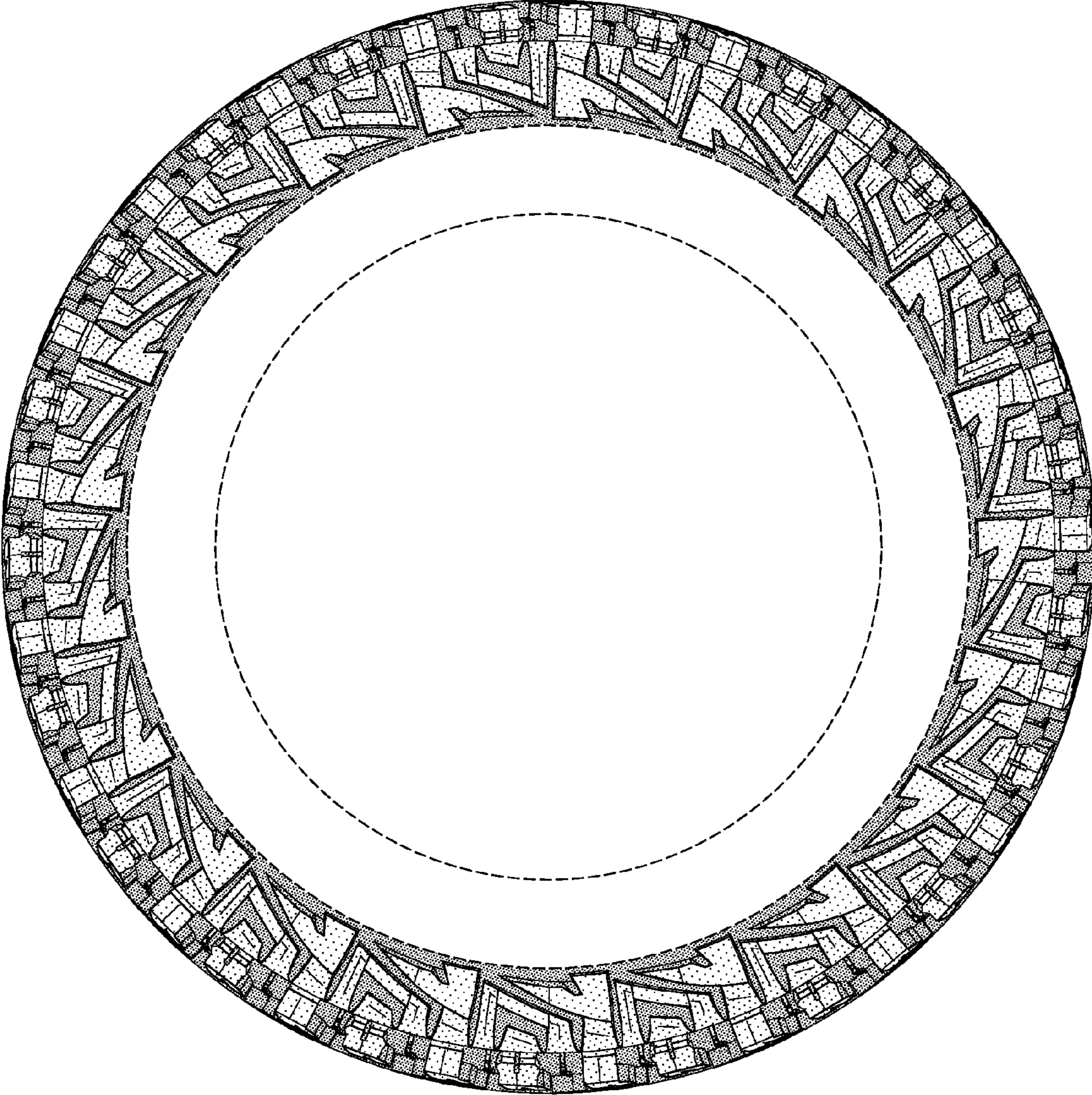


FIG-4

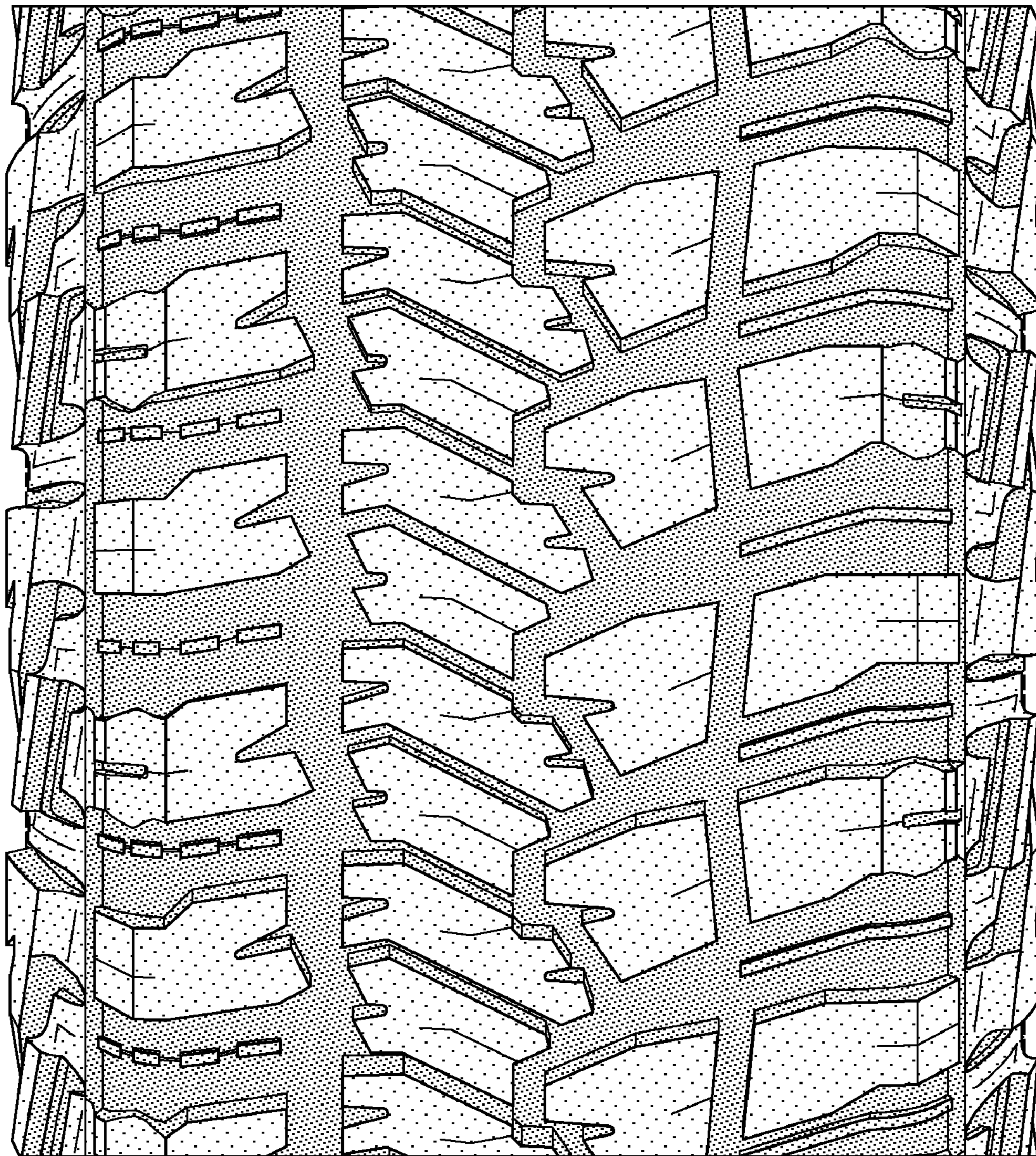


FIG-5

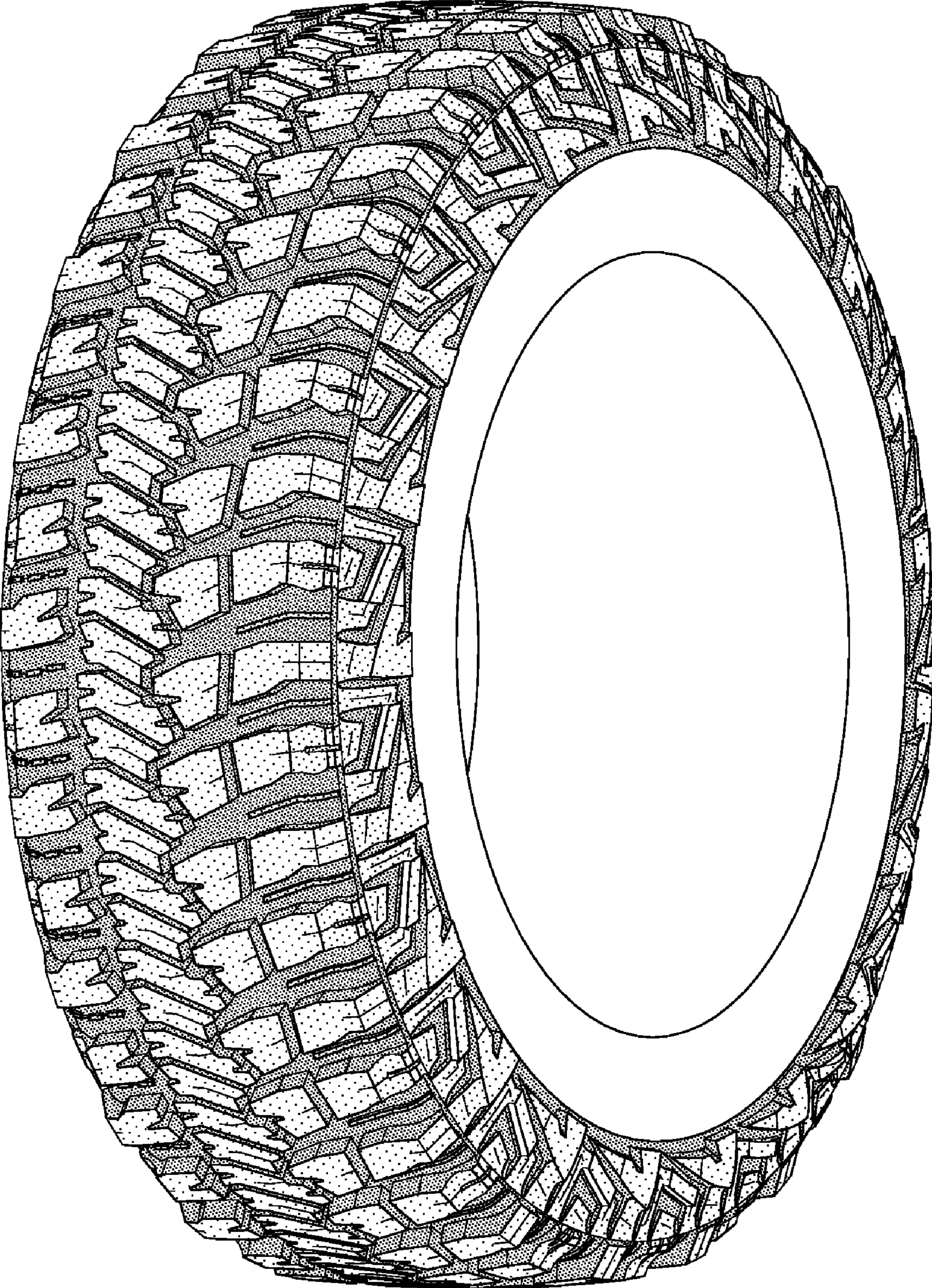


FIG-6

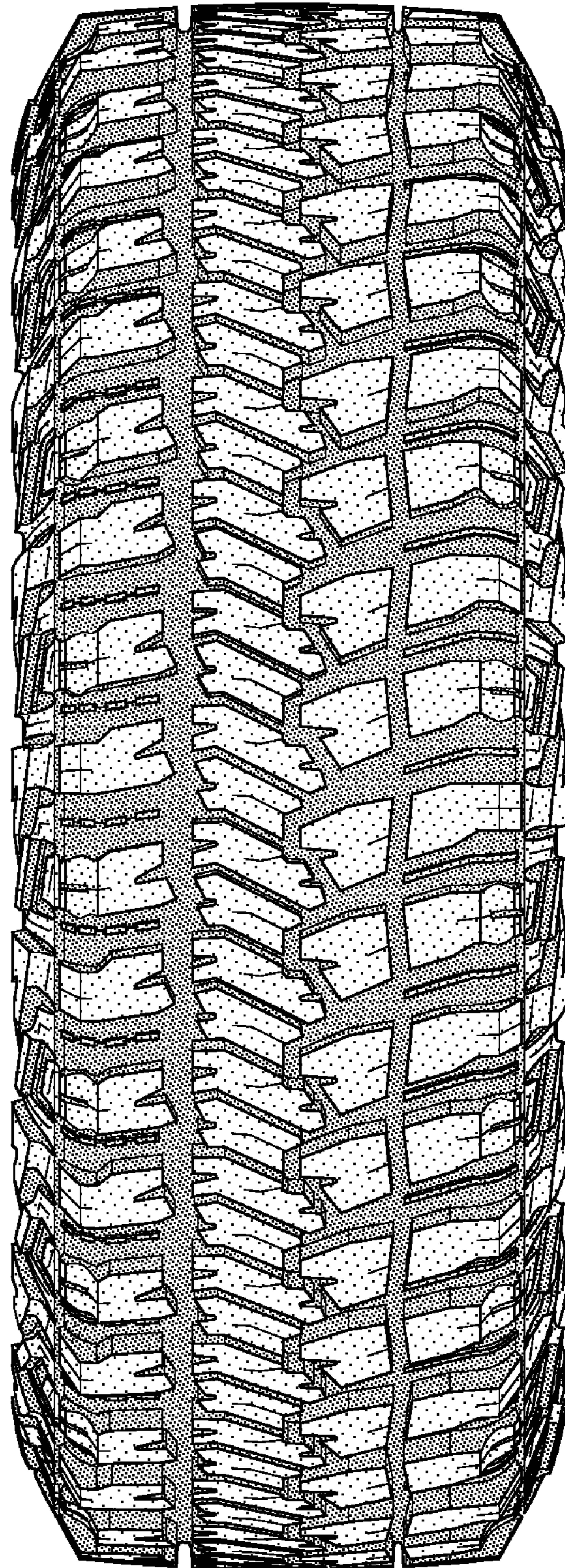


FIG-7