



US00D578951S

(12) **United States Design Patent**
Jones et al.

(10) **Patent No.:** **US D578,951 S**
(45) **Date of Patent:** **** Oct. 21, 2008**

(54) **BOAT**

(75) Inventors: **Frank W. Jones**, Willow Spring, NC
(US); **Sean Campbell**, Raleigh, NC (US)

(73) Assignee: **Twin Troller Boats, Inc.**, Benson, NC
(US)

(**) Term: **14 Years**

(21) Appl. No.: **29/302,122**

(22) Filed: **Jan. 10, 2008**

(51) **LOC (8) Cl.** **12-06**

(52) **U.S. Cl.** **D12/317**

(58) **Field of Classification Search** D12/300,
D12/302, 303, 304, 310, 16, 317; 114/343,
114/345, 347, 348, 351-358, 363, 39.26-39.29;
D21/542, 801

See application file for complete search history.

(56) **References Cited**

U.S. PATENT DOCUMENTS

2,950,701 A * 8/1960 De Stefani 114/355
D226,870 S * 5/1973 Livingston D12/312
D401,546 S * 11/1998 Boris et al. D12/304
D402,618 S * 12/1998 Veazey D12/310
D413,855 S * 9/1999 Price D12/300

D438,506 S * 3/2001 Munson D12/300
D476,612 S * 7/2003 Bills et al. D12/300
D482,648 S * 11/2003 Eck et al. D12/300
D488,117 S * 4/2004 Bills et al. D12/300
D520,441 S * 5/2006 Guvenc et al. D12/300
D544,045 S * 6/2007 Hamasaki D21/542

* cited by examiner

Primary Examiner—Holly H. Baynham

Assistant Examiner—Cynthia M Chin

(74) *Attorney, Agent, or Firm*—Coats & Bennett, P.L.L.C.

(57) **CLAIM**

The ornamental design for a boat, as shown and described.

DESCRIPTION

FIG. 1 is a perspective view of the boat.

FIG. 2 is a top plan view of the boat.

FIG. 3 is a bottom plan view of the boat.

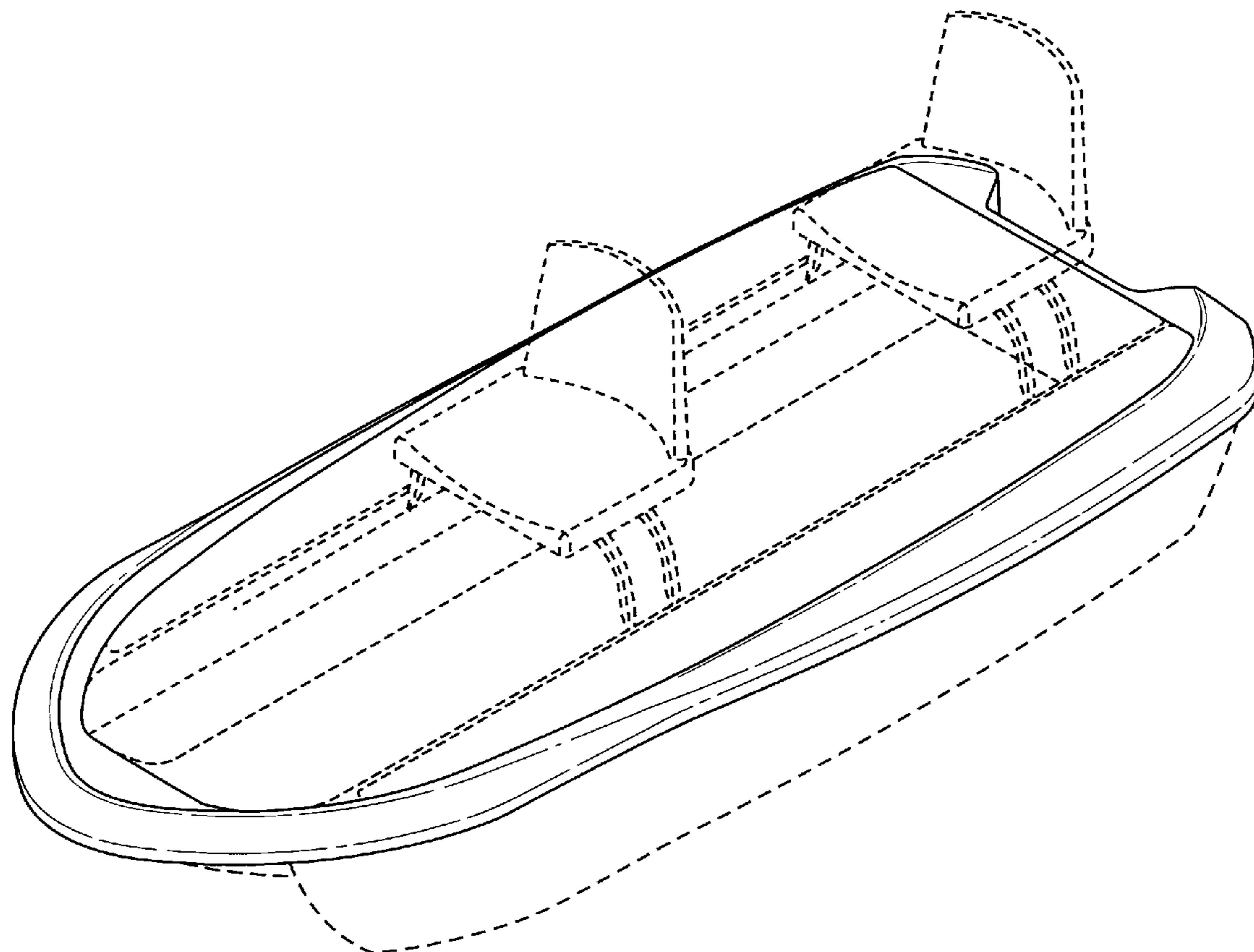
FIG. 4 is a side elevational view of the boat with the opposite side being a mirror image of the same.

FIG. 5 is a front elevational view of the boat; and,

FIG. 6 is a rear elevational view of the boat.

The broken lines are for illustrative purposes only and form no part of the claimed design.

1 Claim, 6 Drawing Sheets



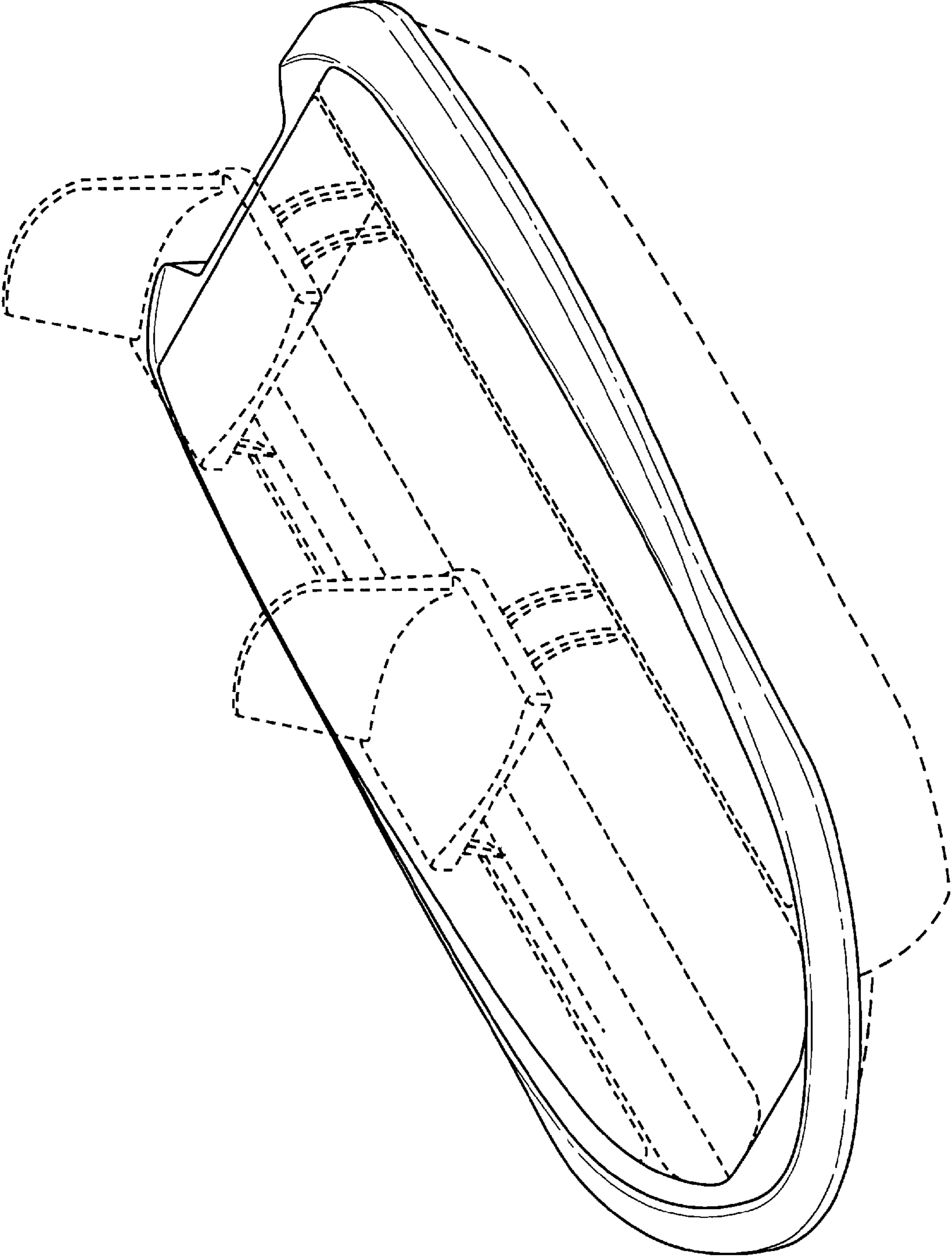


FIG. 1

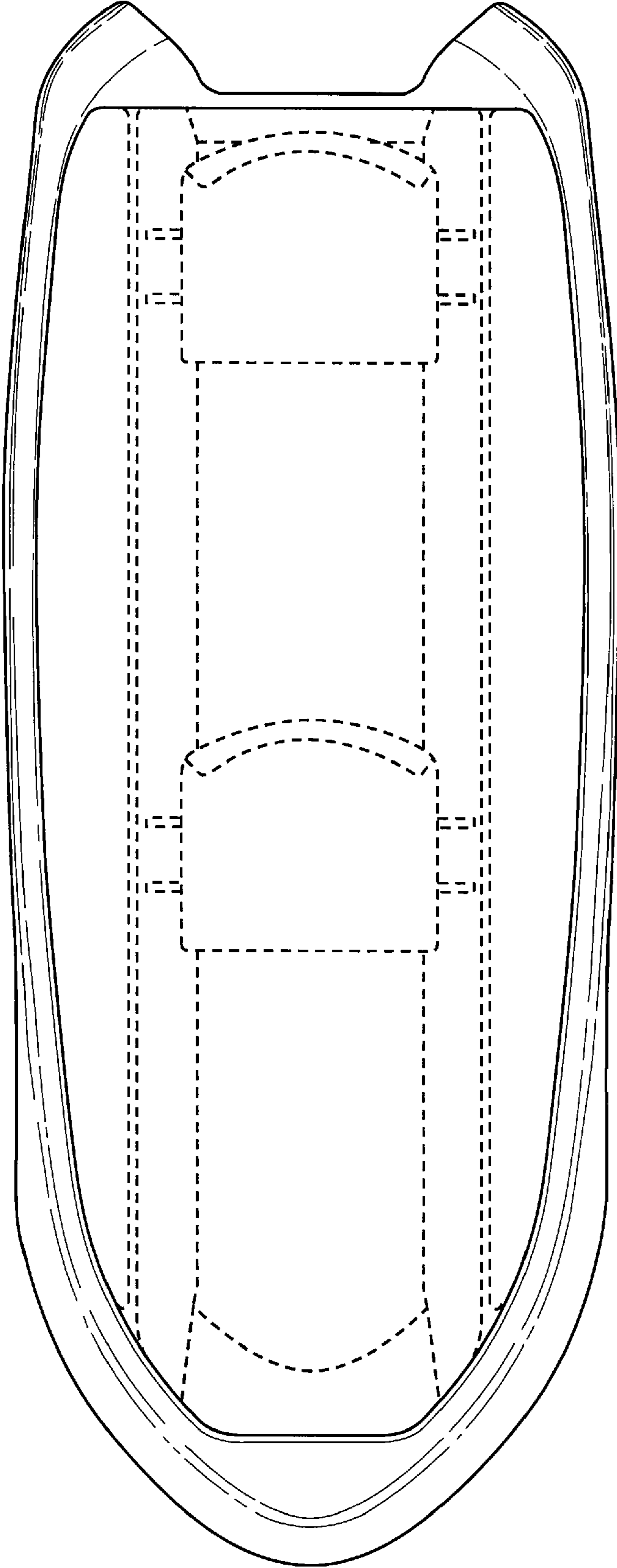


FIG. 2

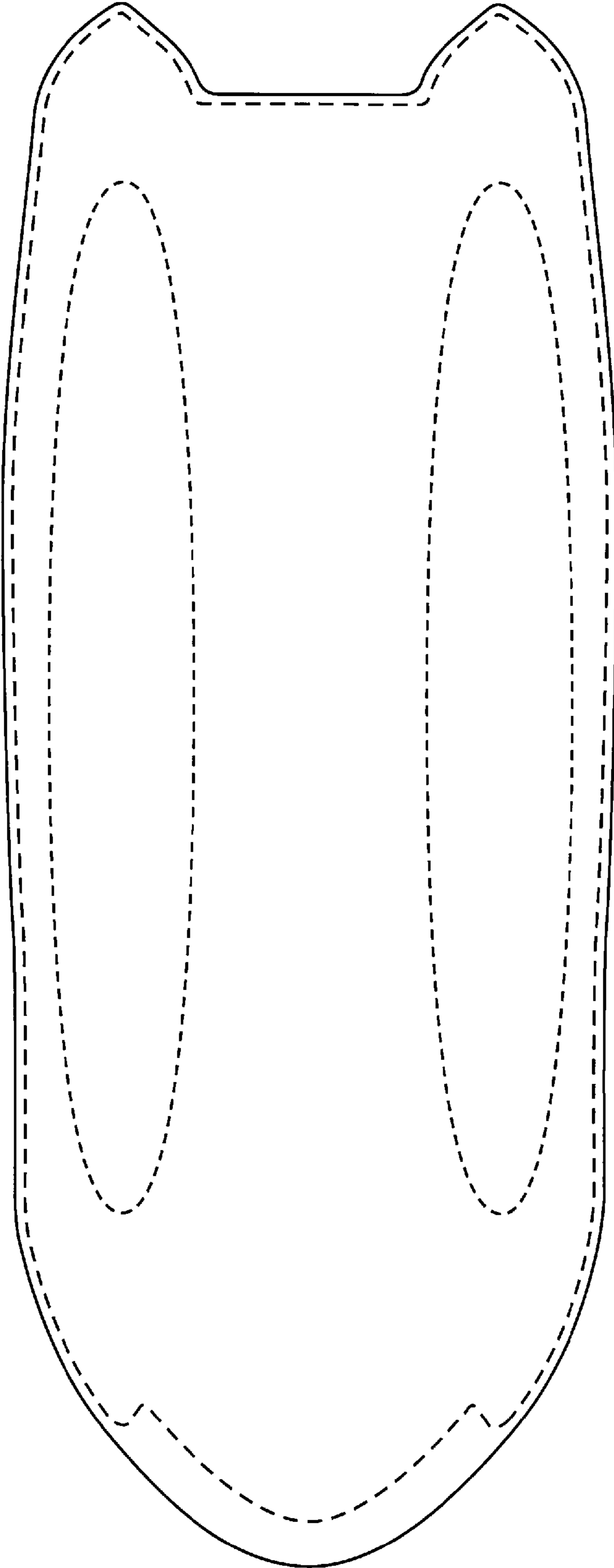


FIG. 3

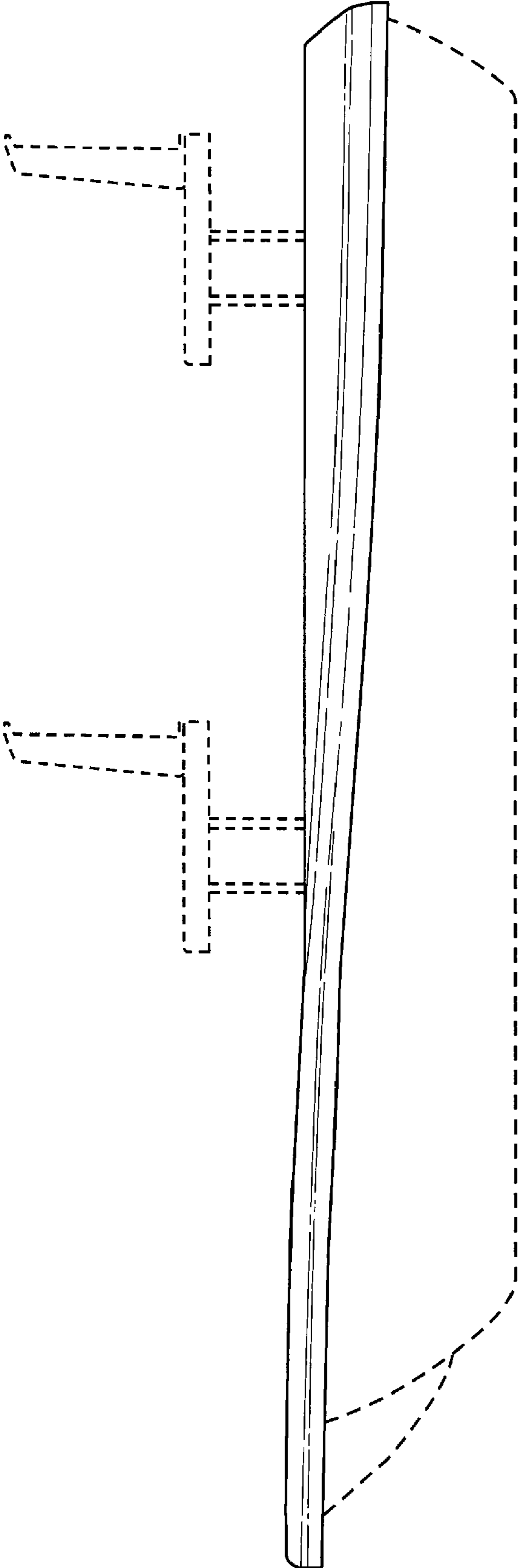


FIG. 4

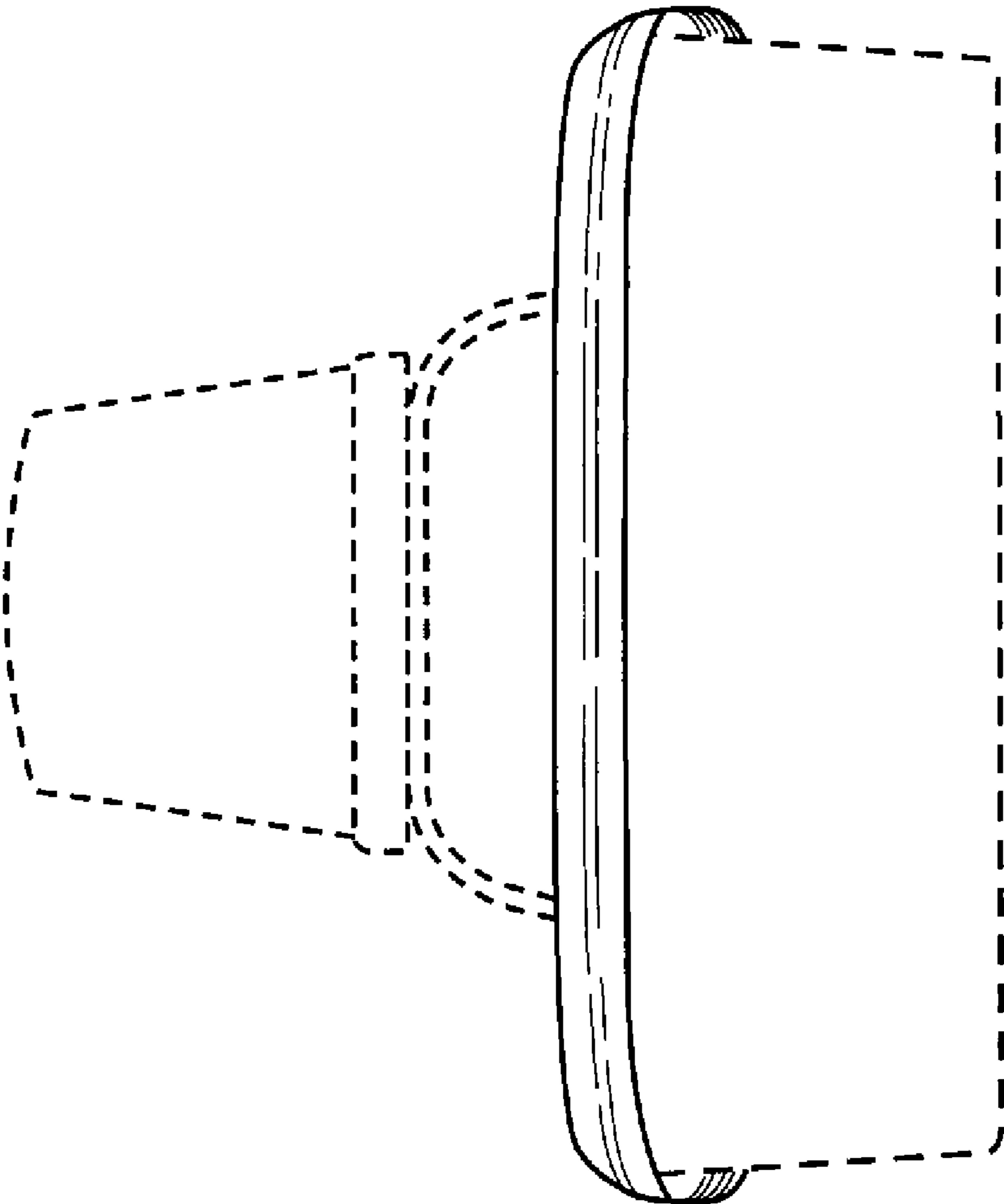


FIG. 5

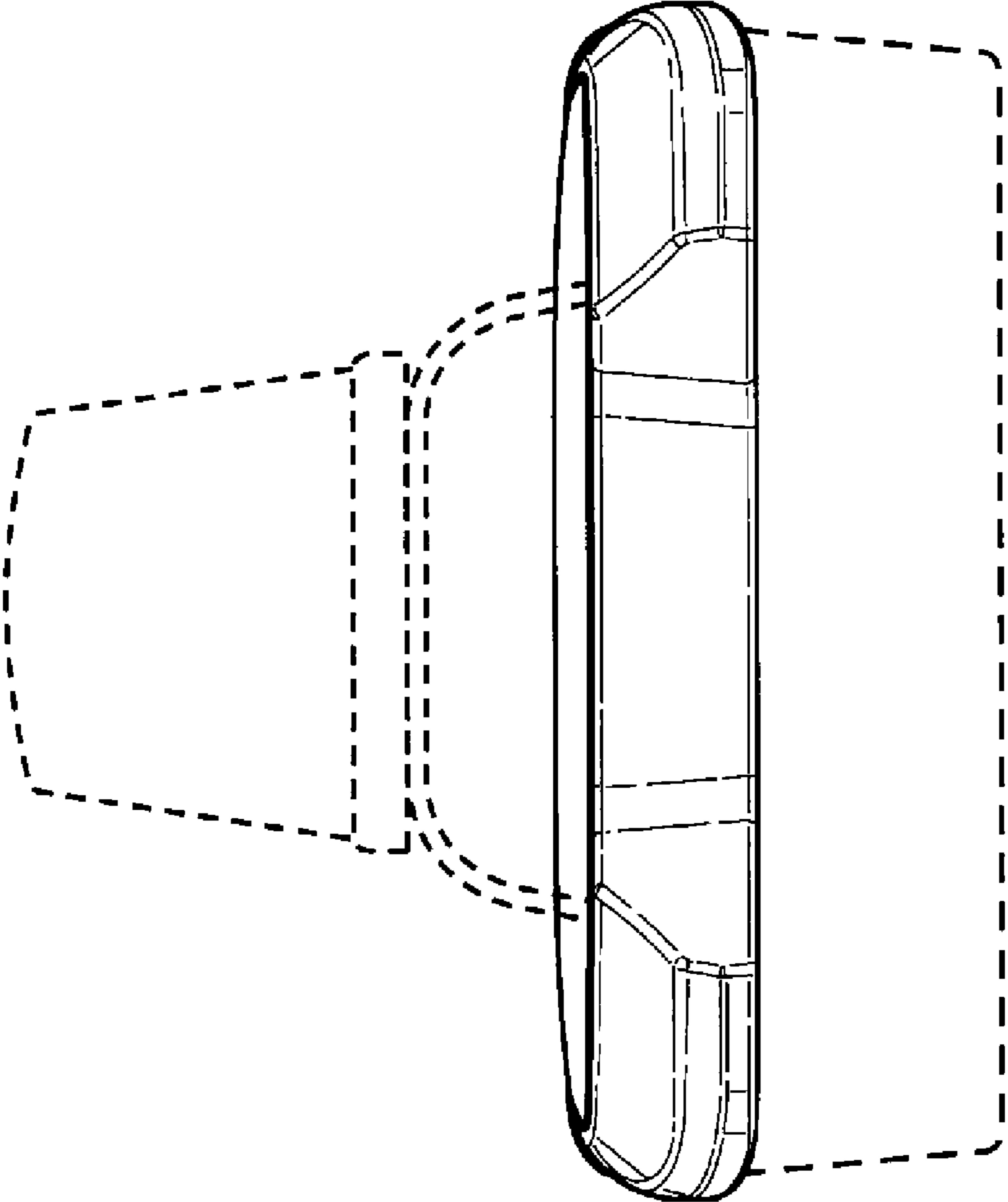


FIG. 6