



US00D578949S

(12) **United States Design Patent**
Hieke

(10) **Patent No.:** **US D578,949 S**
(45) **Date of Patent:** **** Oct. 21, 2008**

(54) **FRONT FACE OF A VEHICLE WHEEL**

(75) Inventor: **Claus Hieke**, Sindelfingen (DE)

(73) Assignee: **Daimler AG**, Stuttgart (DE)

(**) Term: **14 Years**

(21) Appl. No.: **29/287,577**

(22) Filed: **Aug. 24, 2007**

(30) **Foreign Application Priority Data**

Feb. 27, 2007 (EM) 000677596-0001

(51) **LOC (8) Cl.** **12-16**

(52) **U.S. Cl.** **D12/211**

(58) **Field of Classification Search** D12/204-213;
301/37.101, 64.101, 65, 64.201

See application file for complete search history.

(56) **References Cited**

U.S. PATENT DOCUMENTS

D470,093 S *	2/2003	Frizzi	D12/209
D480,037 S *	9/2003	Takechi	D12/211
D481,664 S *	11/2003	Vian	D12/211
D497,869 S *	11/2004	Guevara	D12/211
D504,860 S *	5/2005	Kushartanto	D12/211
D518,764 S *	4/2006	Looho	D12/209

D522,947 S *	6/2006	Hieke	D12/209
D526,946 S *	8/2006	Takechi	D12/209
D532,733 S *	11/2006	Hieke	D12/209
D542,729 S *	5/2007	Hieke	D12/211
D549,634 S *	8/2007	Foose	D12/211
D569,776 S *	5/2008	Hieke	D12/211
D570,760 S *	6/2008	Hieke	D12/211
D572,646 S *	7/2008	Hieke	D12/209

* cited by examiner

Primary Examiner—Stacia Cadmus

(74) *Attorney, Agent, or Firm*—Crowell & Moring LLP

(57) **CLAIM**

The ornamental design for a front face of a vehicle wheel, as shown and described.

DESCRIPTION

FIG. 1 is a front view of a first embodiment of a front face of a vehicle wheel according to my novel design; and

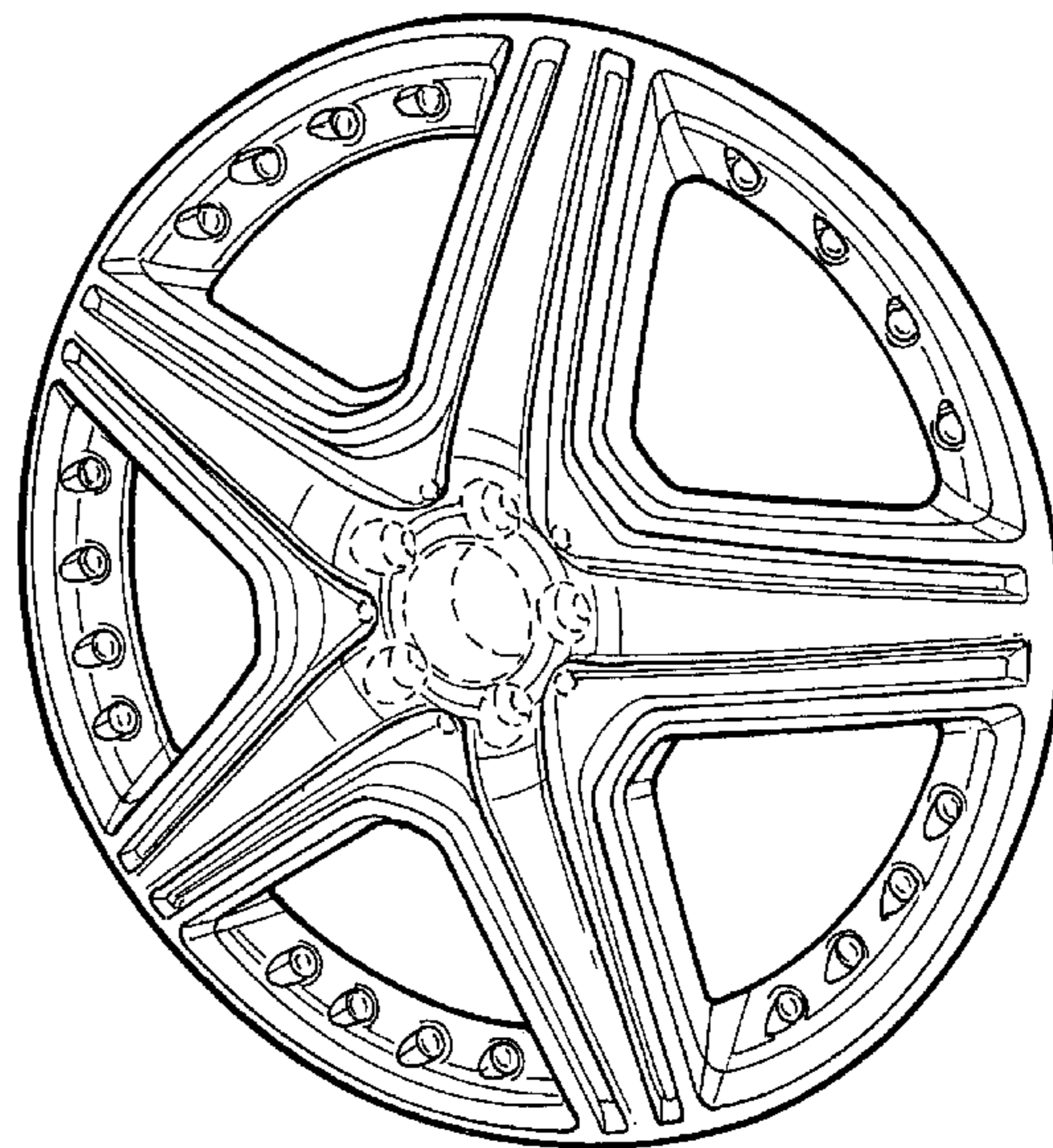
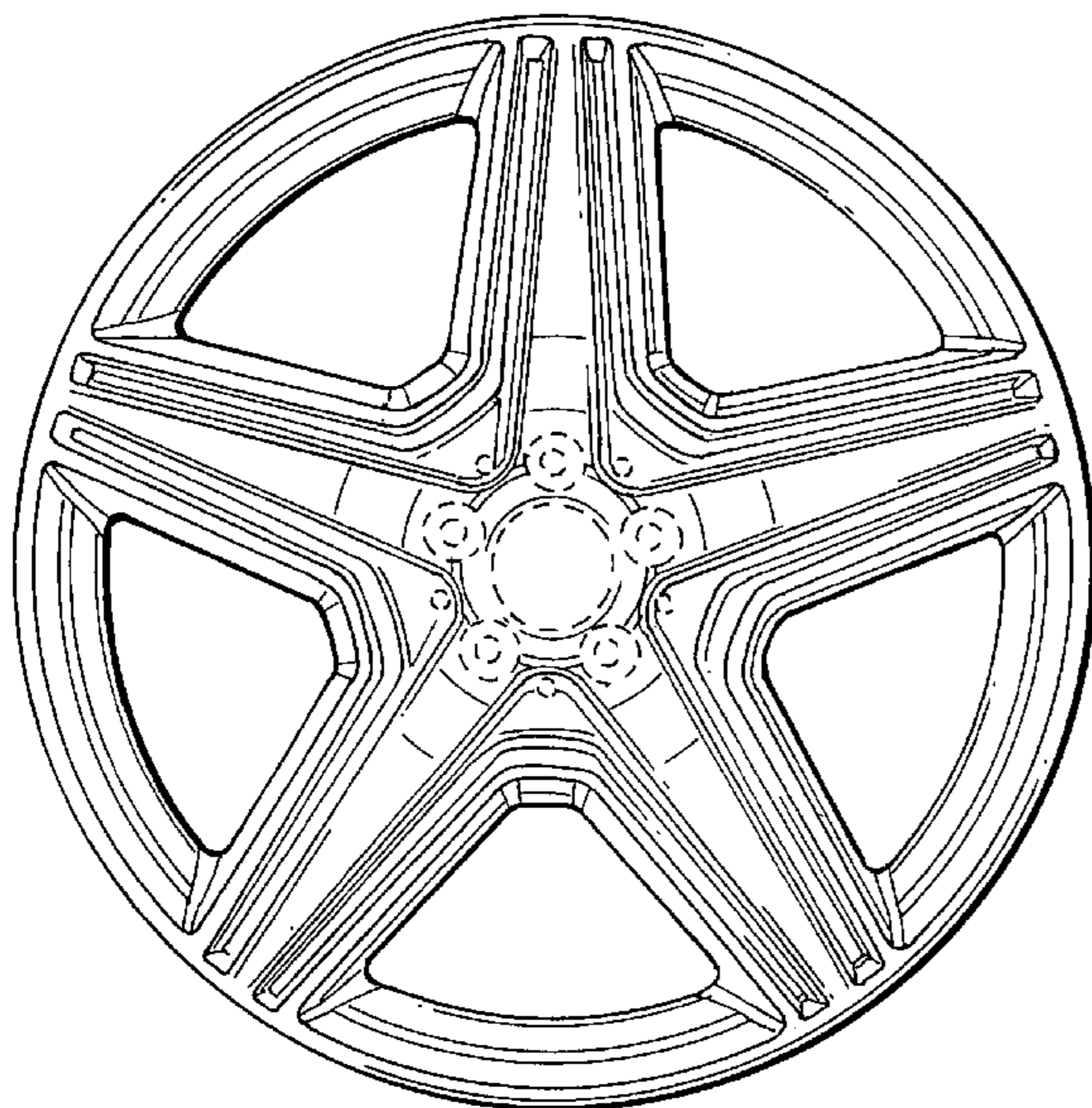
FIG. 2 is a perspective view thereof.

FIG. 3 is a front view of a second embodiment of the front face of a vehicle wheel according to my novel design; and,

FIG. 4 is a perspective view thereof.

The broken lines are for illustrative purposes only and form no part of the claimed design.

1 Claim, 2 Drawing Sheets



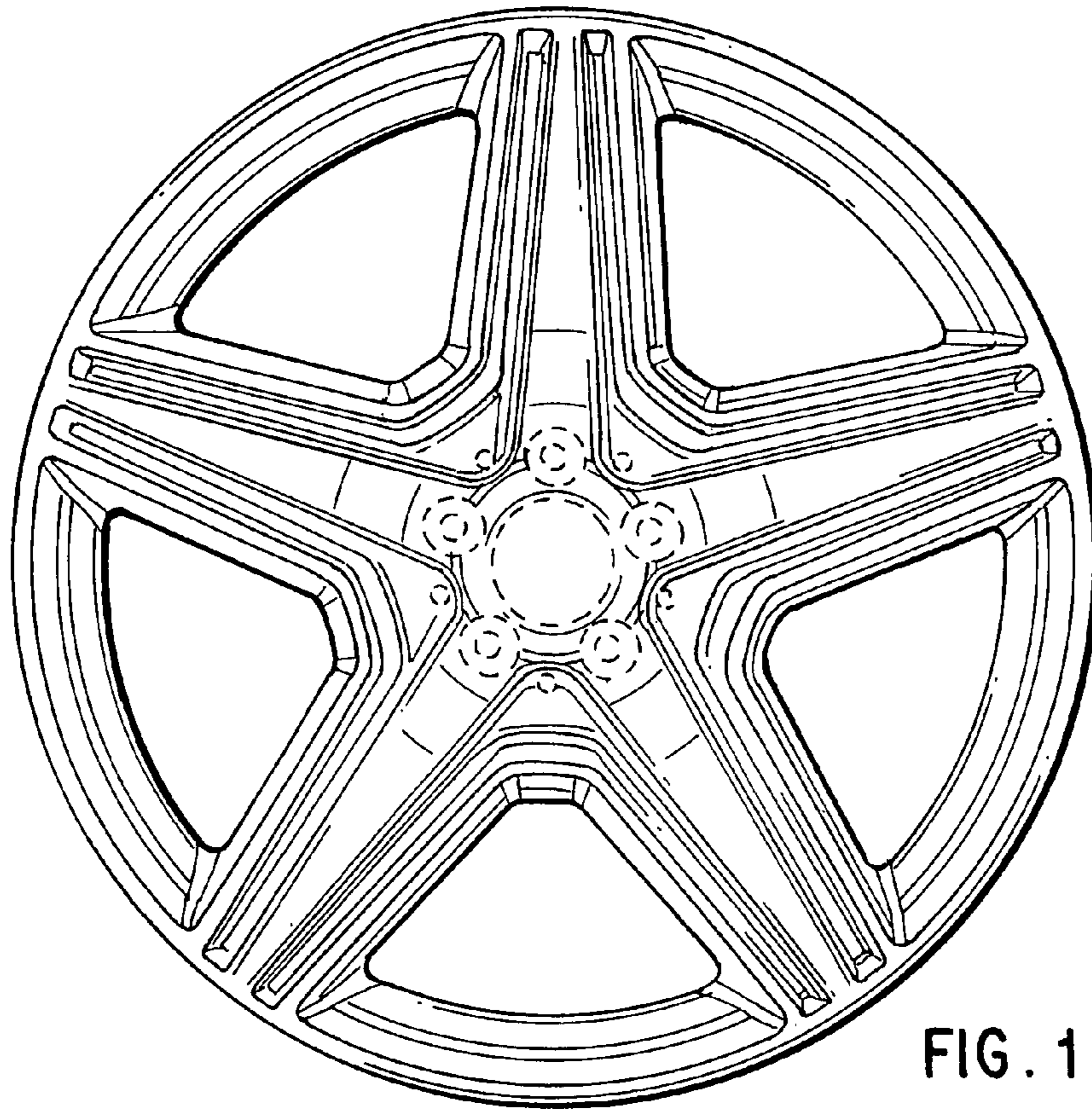


FIG. 1

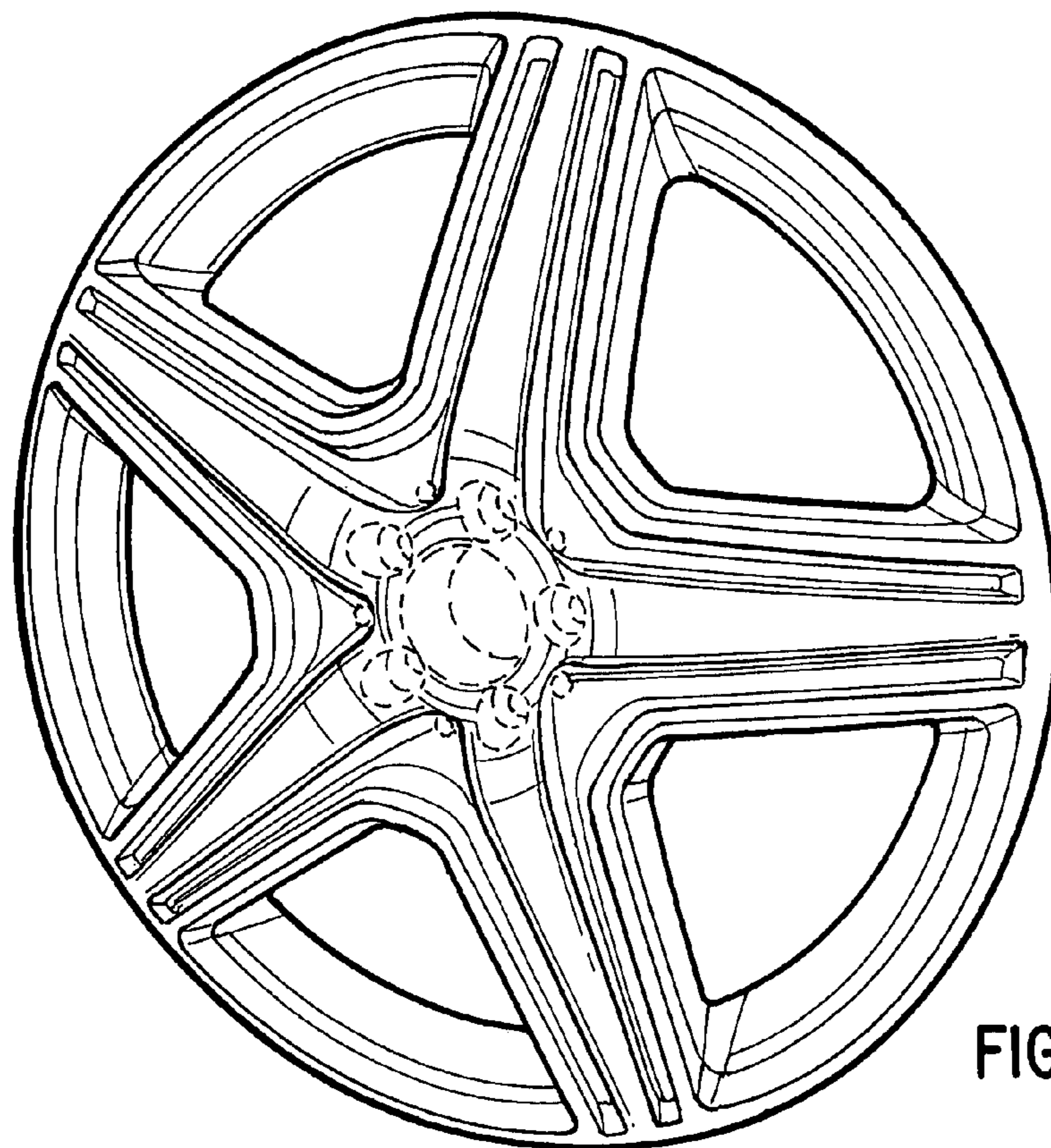


FIG. 2

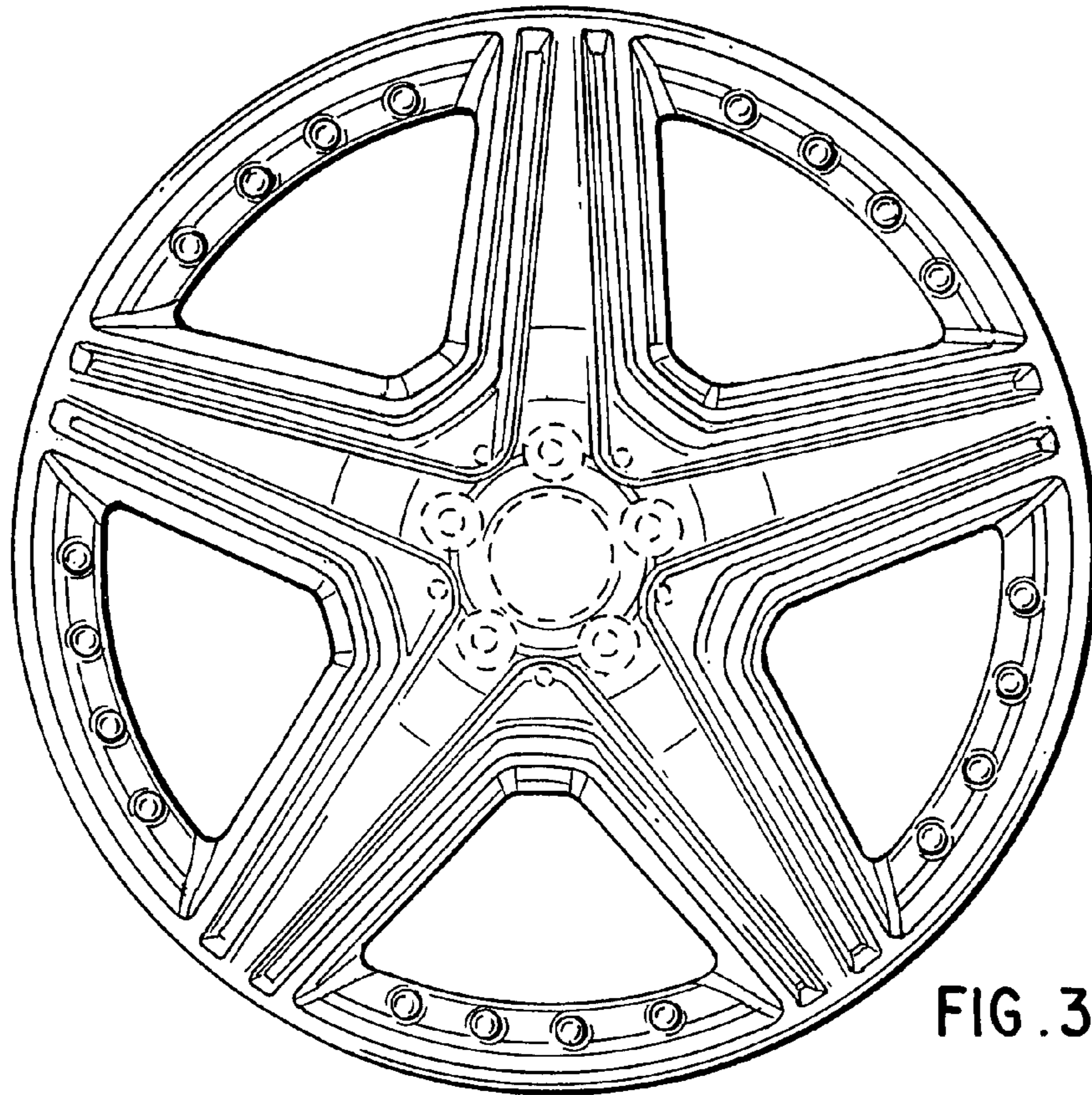


FIG. 3

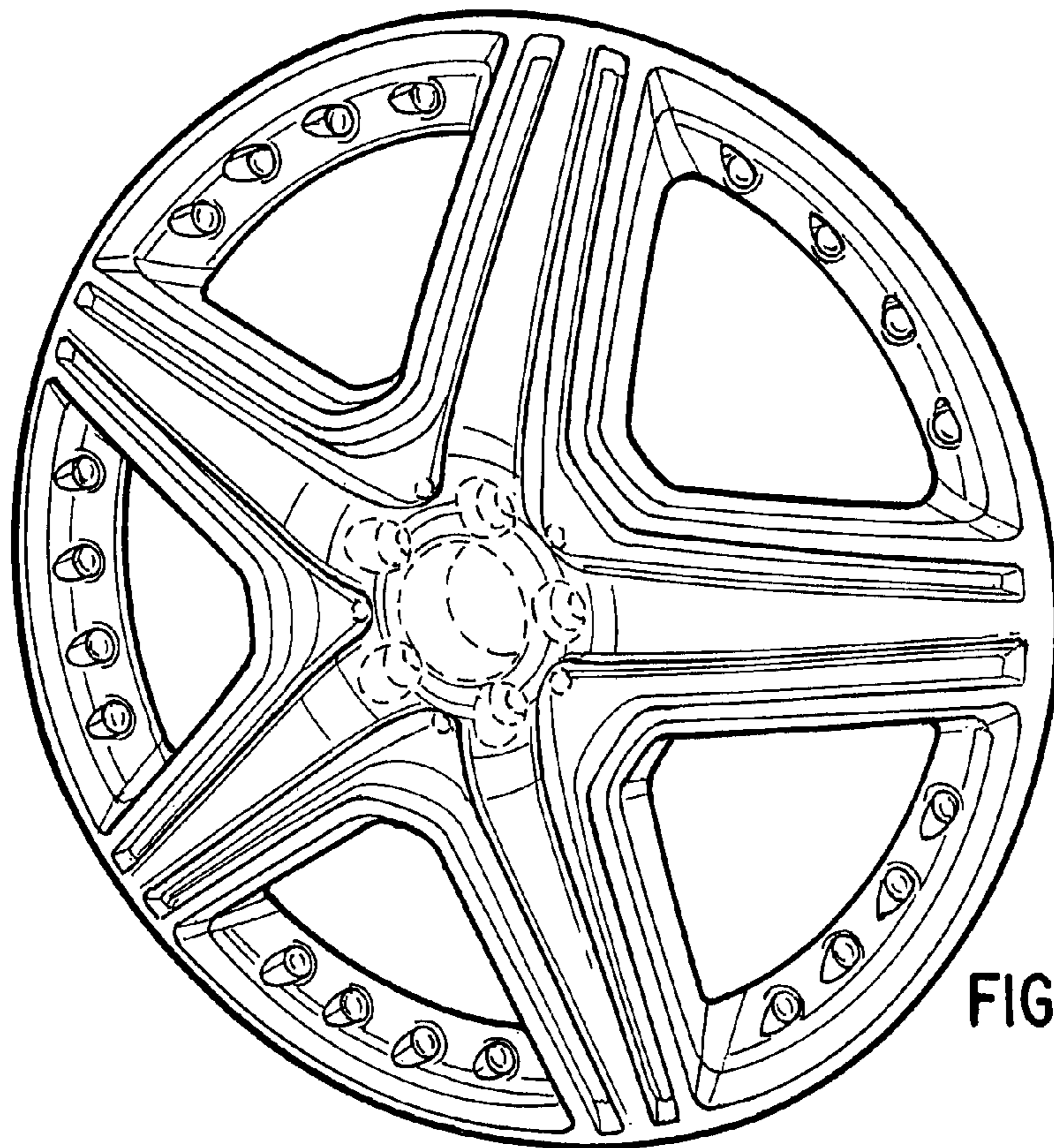


FIG. 4