



US00D578948S

(12) **United States Design Patent**
Asada et al.

(10) **Patent No.:** **US D578,948 S**
(45) **Date of Patent:** **** Oct. 21, 2008**

(54) **MOTORCYCLE WHEEL**

(75) Inventors: **Takeshi Asada**, Kobe (JP); **Seiichi Ino**,
Kakogawa (JP)

(73) Assignee: **Kawasaki Jukogyo Kabushiki Kaisha**,
Hyogo (JP)

(**) Term: **14 Years**

(21) Appl. No.: **29/273,808**

(22) Filed: **Mar. 13, 2007**

(30) **Foreign Application Priority Data**

Sep. 19, 2006 (JP) 2006-024954

(51) **LOC (8) Cl.** **12-16**

(52) **U.S. Cl.** **D12/211**

(58) **Field of Classification Search** D12/204-213,
D12/110; 301/37.101, 64.101, 65, 64.201
See application file for complete search history.

(56) **References Cited**

U.S. PATENT DOCUMENTS

- D428,379 S * 7/2000 Donikoglu D12/211
- D474,440 S * 5/2003 Oh D12/211
- D506,172 S * 6/2005 Pfeiffer D12/211
- D516,990 S * 3/2006 Schweizer D12/211

- D528,062 S * 9/2006 Hosoi D12/211
- D546,263 S * 7/2007 Hernandez D12/211
- D548,166 S * 8/2007 Young D12/211
- D549,635 S * 8/2007 Hernandez D12/211
- D551,149 S * 9/2007 Elmitt D12/211
- D570,275 S * 6/2008 Laengerer D12/211

* cited by examiner

Primary Examiner—Stacia Cadmus

(57) **CLAIM**

The ornamental design for a motorcycle wheel, as shown and described.

DESCRIPTION

FIG. 1 is a front elevational view of a motorcycle wheel showing our new design;

FIG. 2 is a rear elevational view thereof;

FIG. 3 is a left side elevational view thereof;

FIG. 4 is a top plan view thereof;

FIG. 5 is a bottom plan view thereof;

FIG. 6 is an end view taken along line 6—6 in FIG. 1;

FIG. 7 is an end view taken along line 7—7 in FIG. 1; and,

FIG. 8 is a perspective view thereof.

A right side elevational view is a mirror image of FIG. 3.

1 Claim, 5 Drawing Sheets

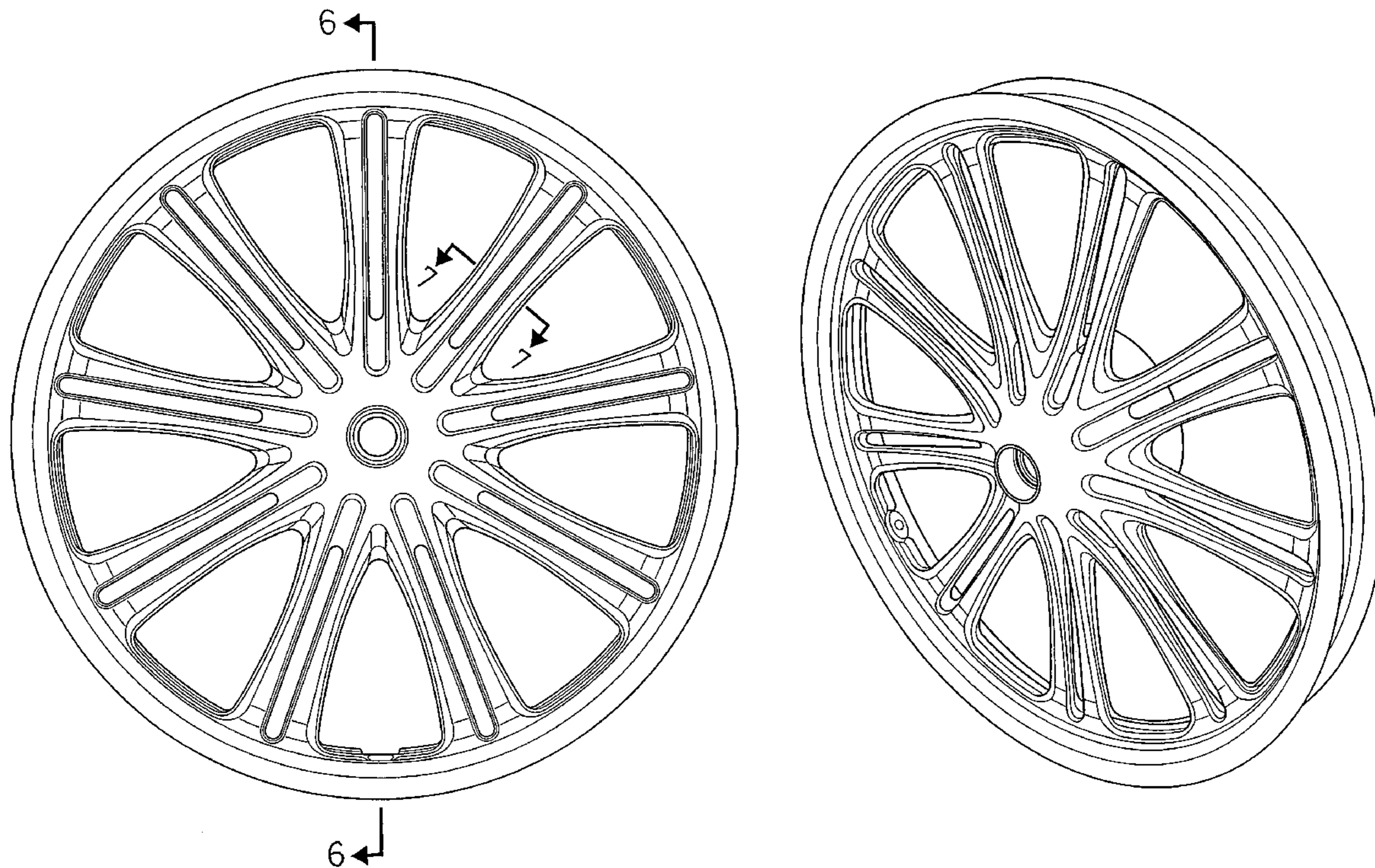


Fig.1

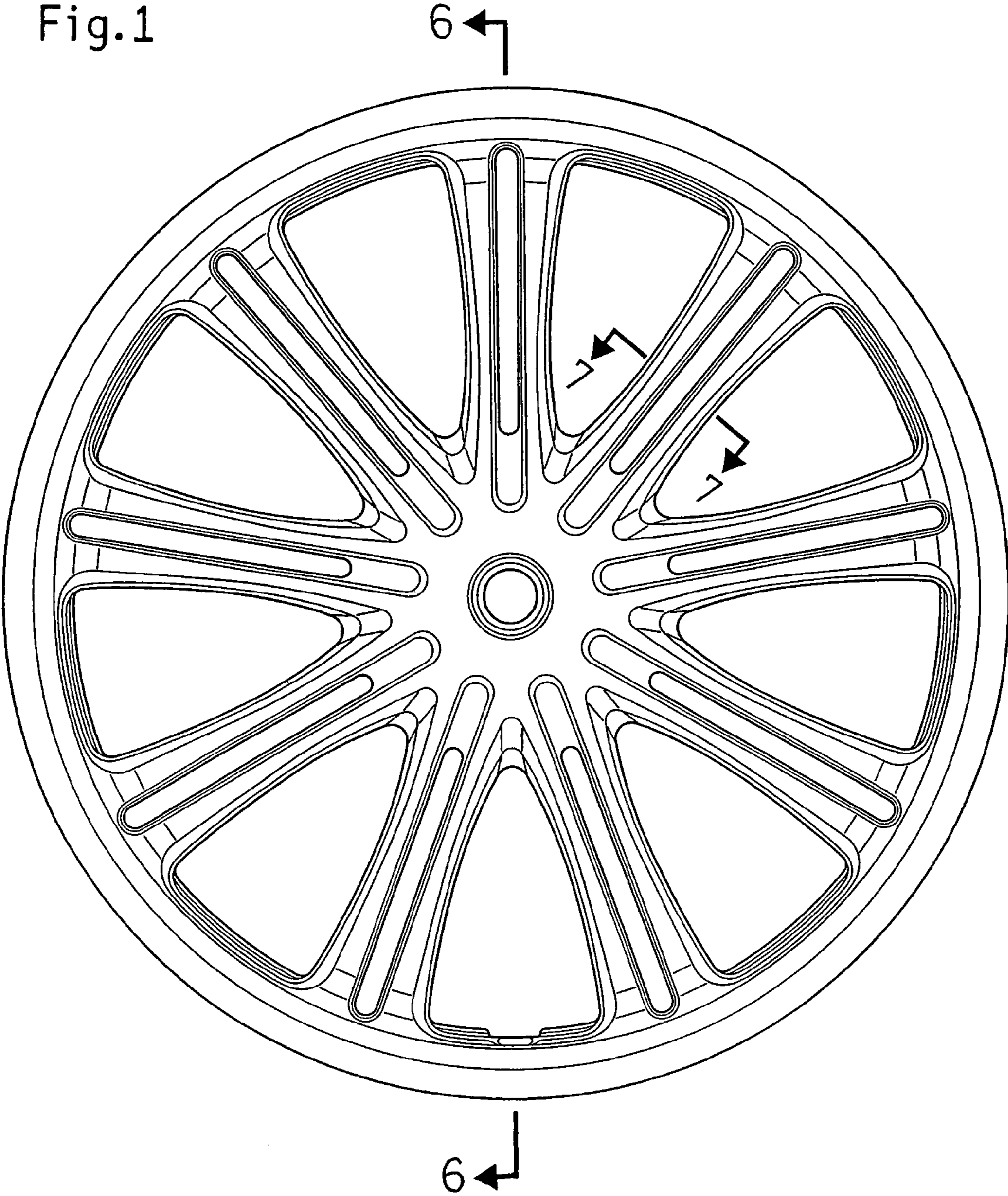


Fig.2

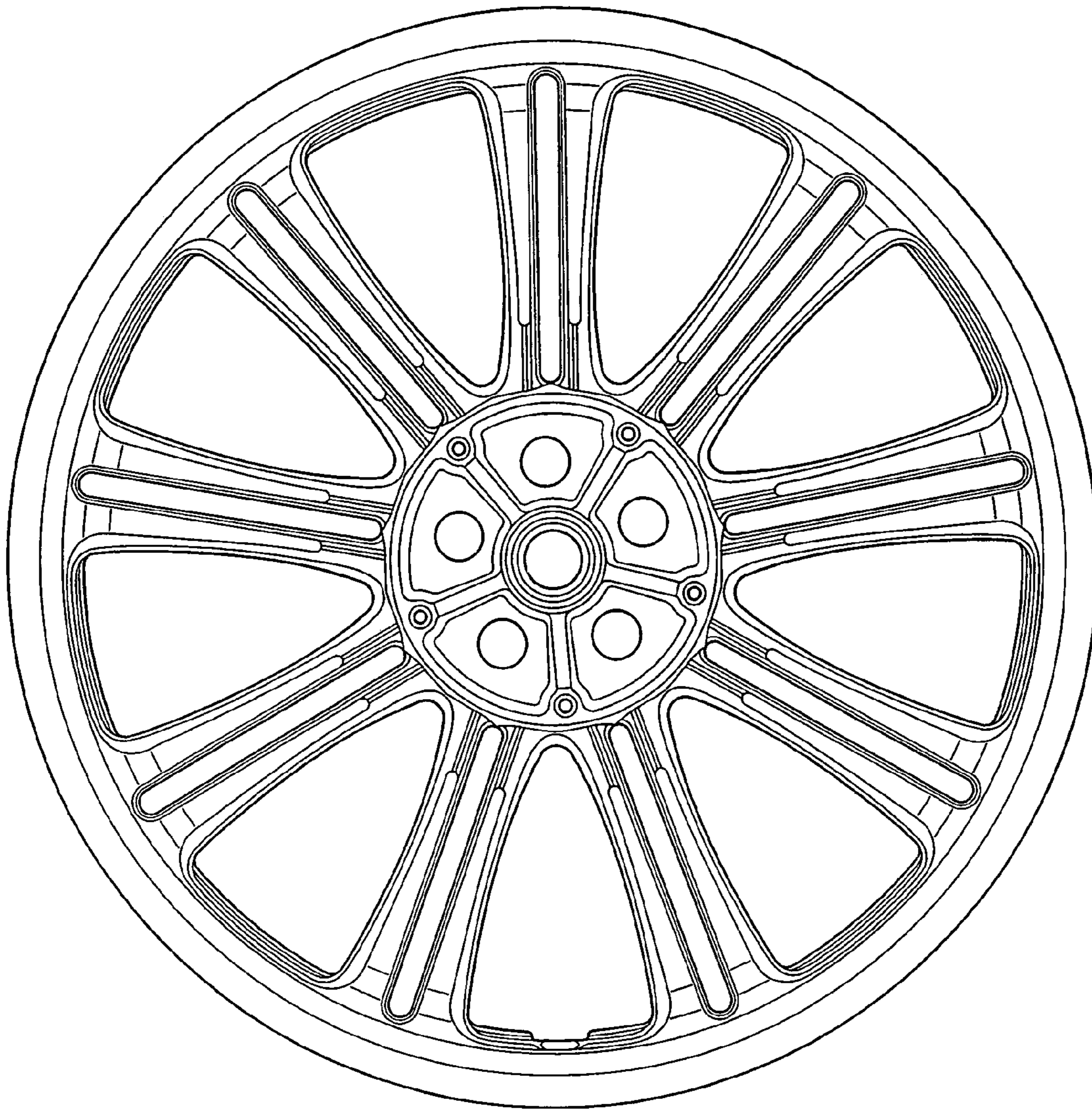


Fig.3

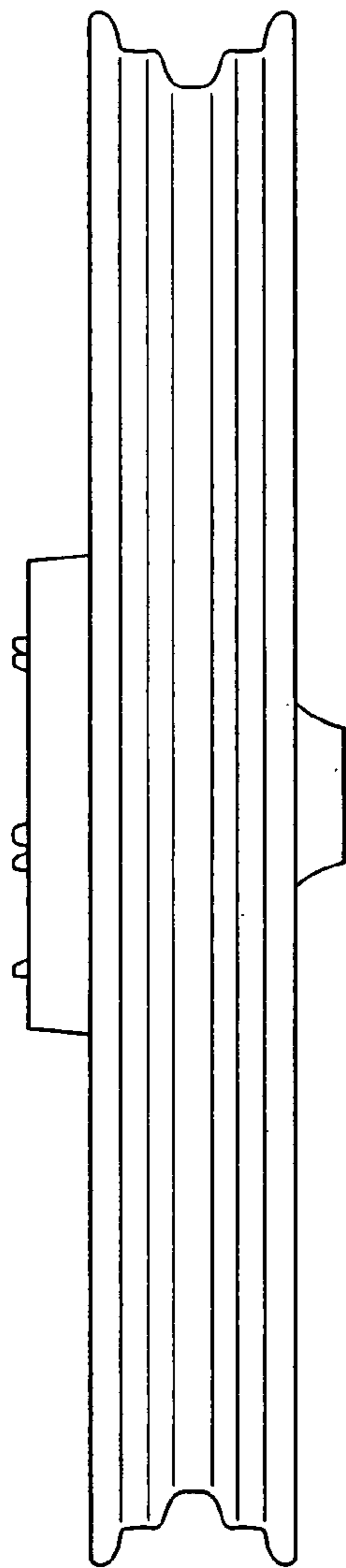


Fig.4

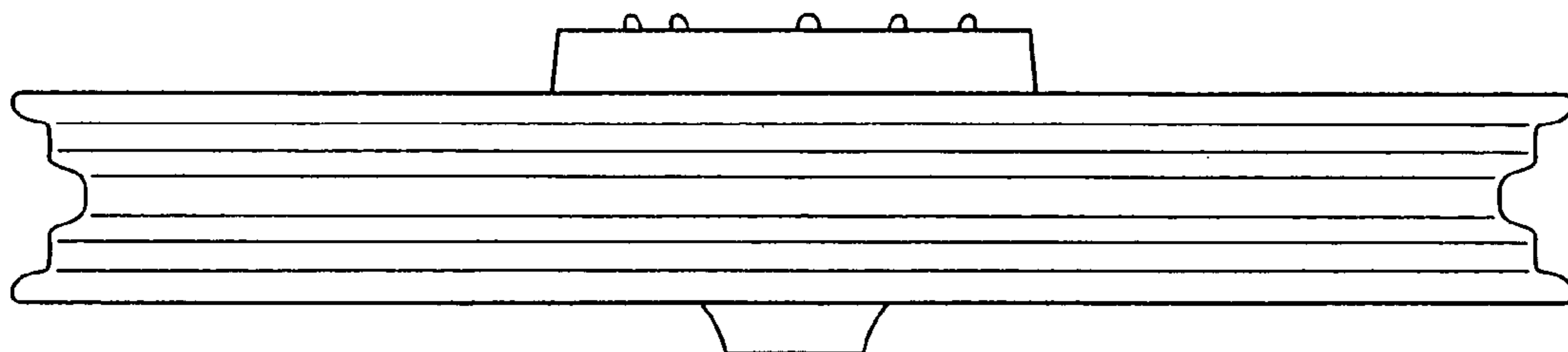


Fig.5

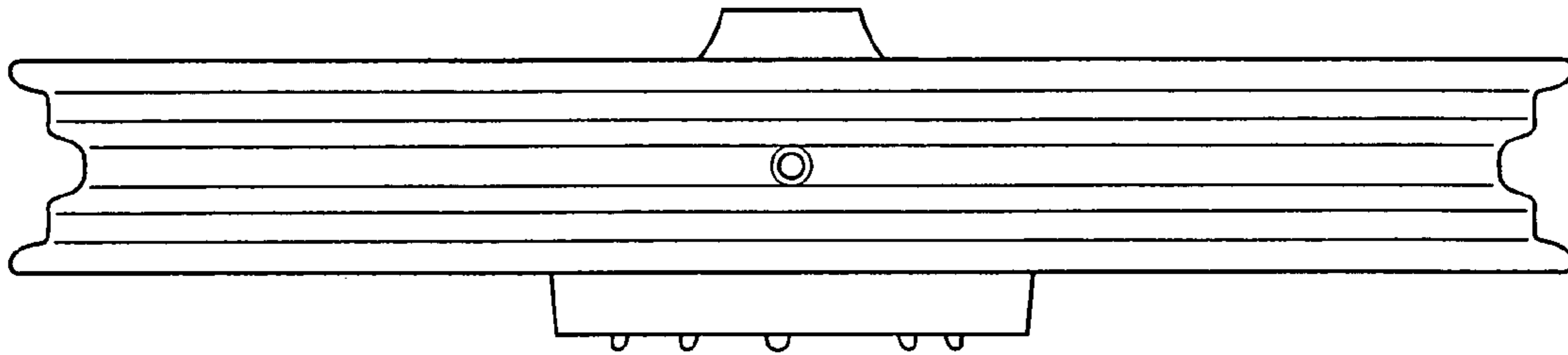


Fig.6



Fig.7

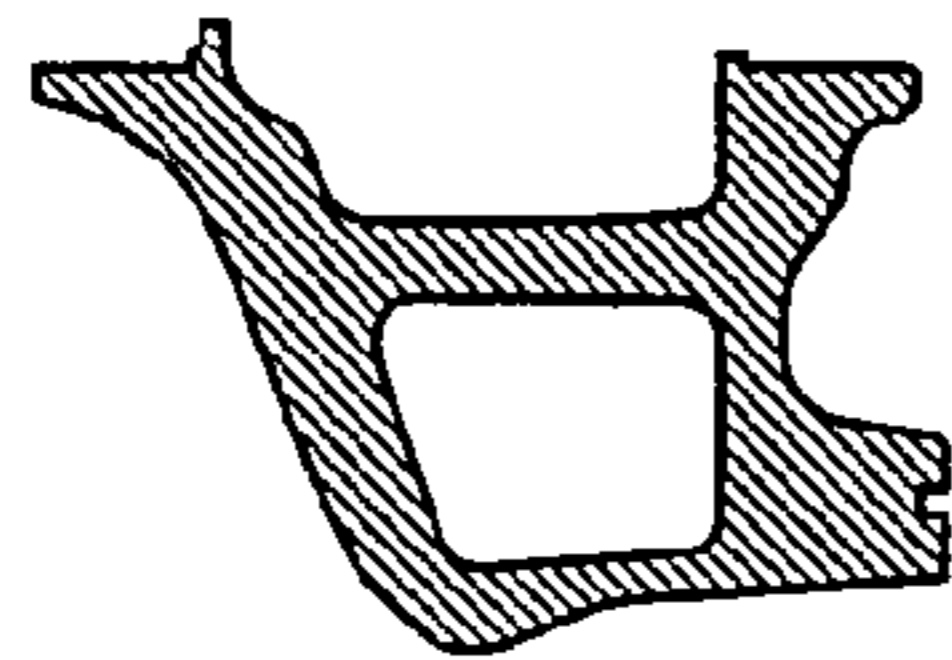
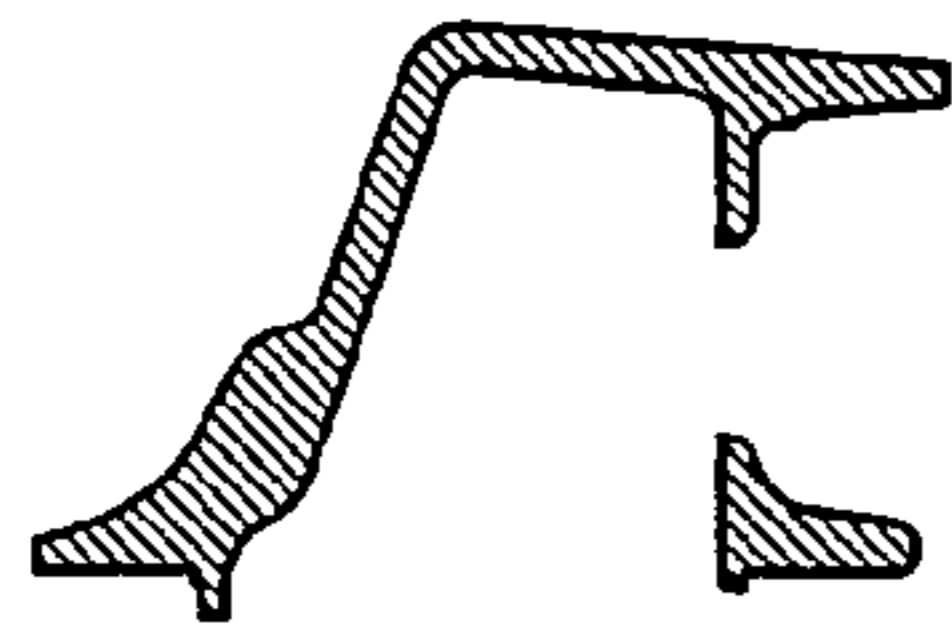


Fig.8

