



US00D578945S

(12) **United States Design Patent**
McGoon, IV

(10) **Patent No.:** **US D578,945 S**
(45) **Date of Patent:** **** Oct. 21, 2008**

(54) **PAIR OF CLEAR MOTORCYCLE WHEELS**

(76) **Inventor:** **Doug McGoon, IV**, 60 Summerwood Ct., Apt. G, Corona, CA (US) 92882

(**) **Term:** **14 Years**

(21) **Appl. No.:** **29/275,026**

(22) **Filed:** **Dec. 8, 2006**

(51) **LOC (8) Cl.** **12-16**

(52) **U.S. Cl.** **D12/204**

(58) **Field of Classification Search** D12/204,
D12/207, 209–210; D21/563, 760, 763–765,
D21/771, 779; 301/10.1, 64.701–64.707;
280/11.221–11.223, 11.226–11.227, 11.231–11.233
See application file for complete search history.

(56) **References Cited**

U.S. PATENT DOCUMENTS

1,377,634 A	5/1921	Slick
2,252,194 A	8/1941	Mills
2,606,076 A	8/1952	Frazer
D169,857 S	6/1953	Kling
3,582,141 A	6/1971	Kelsey, Jr.
3,669,501 A	6/1972	Derleth
3,811,737 A	5/1974	Lejeune
D232,110 S	7/1974	Krause
4,072,358 A	2/1978	Ridha
4,181,169 A	1/1980	Grawey et al.
4,252,378 A	2/1981	Debolt et al.
4,295,256 A	10/1981	Pascal
4,511,184 A	4/1985	Schauf et al.
4,702,527 A	10/1987	Kawano
D296,198 S	6/1988	Buchanan
4,832,414 A	5/1989	Jones
4,900,097 A	2/1990	Kostov et al.
5,163,320 A	11/1992	Goshima et al.
D355,235 S	2/1995	Homma
D355,464 S	2/1995	Wilson et al.
5,401,079 A	3/1995	Rooney
5,564,793 A	10/1996	Whiteford
5,718,499 A	2/1998	DeCaro
D397,391 S	8/1998	Jirout
5,984,487 A	11/1999	McGhee

D418,890 S	1/2000	Wilson
6,030,050 A	2/2000	Ichikawa et al.
6,238,009 B1	5/2001	Lovitt, Jr.
6,367,884 B1	4/2002	Fogal et al.
6,460,938 B1	10/2002	Baumgarten
6,565,243 B1	5/2003	Cheung
6,626,502 B1	9/2003	Petrak
6,629,735 B1	10/2003	Galy
6,652,036 B2	11/2003	Mosher
6,679,562 B2	1/2004	Gubesch et al.
6,685,275 B2	2/2004	Gorges et al.
6,736,464 B1	5/2004	Pidoux
6,755,485 B1	6/2004	Chase

(Continued)

OTHER PUBLICATIONS

<http://www.ministryoftech.com/2006/11/02/d%E2%80%99vinci-forgiato-radurra-clear-polycarbon...>, Nov. 2, 2006.*

(Continued)

Primary Examiner—Robert M. Spear
Assistant Examiner—Katrina A Kile
(74) *Attorney, Agent, or Firm*—Knobbe, Martens, Olson & Bear, LLP

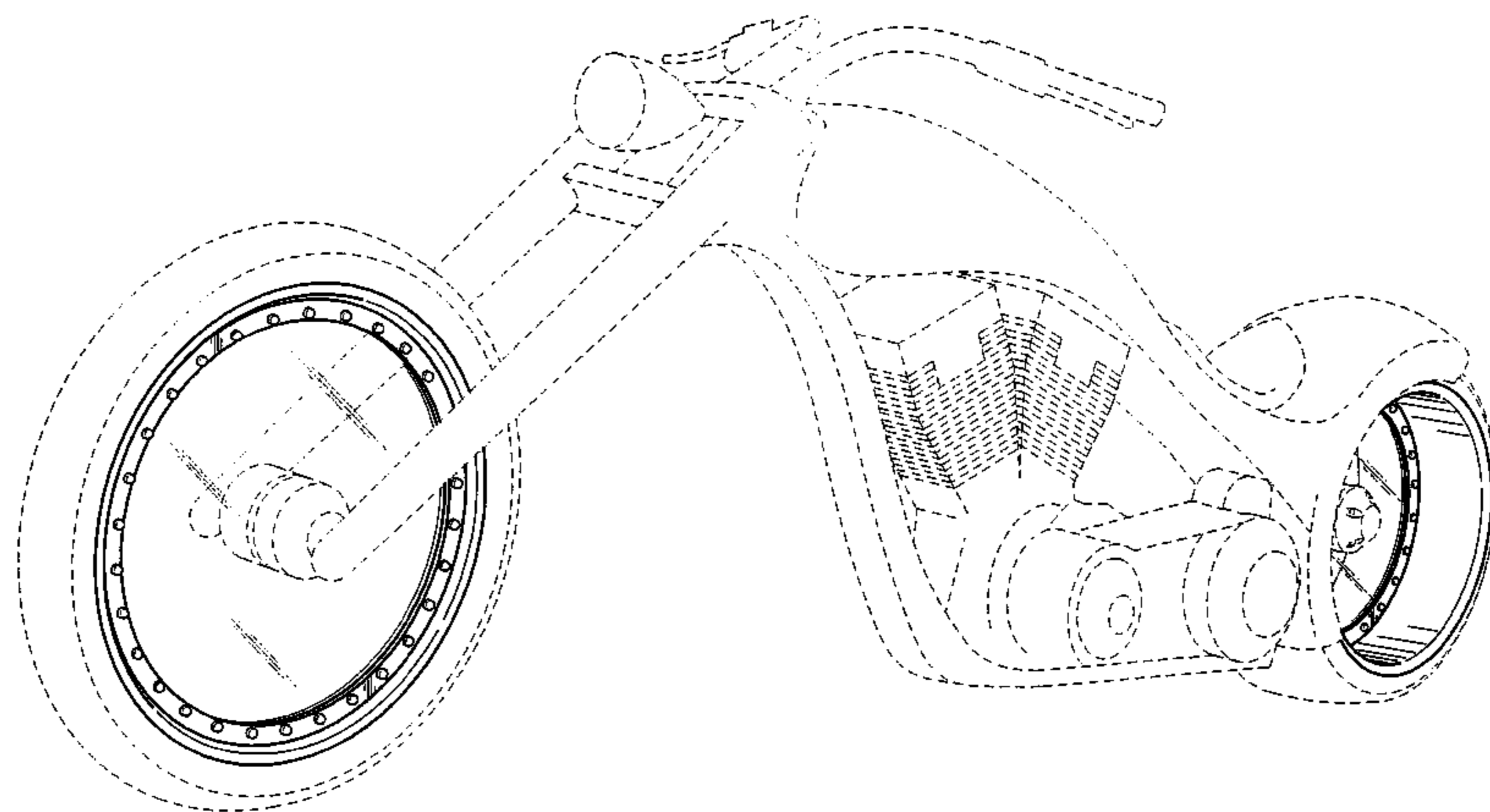
(57) **CLAIM**

The ornamental design for a pair of clear motorcycle wheels, as shown and described.

DESCRIPTION

FIG. 1 is a perspective view of a pair of clear motorcycle wheels.
FIG. 2 is a left side view of a pair of clear motorcycle wheels.
FIG. 3 is a right side view of a pair of clear motorcycle wheels.
FIG. 4 is a side view of a front clear motorcycle wheel.
FIG. 5 is a perspective view of a front clear motorcycle wheel.
FIG. 6 is a side view of a rear clear motorcycle wheel; and,
FIG. 7 is a perspective view of a rear clear motorcycle wheel.

1 Claim, 5 Drawing Sheets



US D578,945 S

Page 2

U.S. PATENT DOCUMENTS

D534,981 S 1/2007 McGoon, IV
7,210,748 B1 5/2007 Velazquez et al.
2003/0080609 A1 5/2003 Darnell
2003/0230866 A1 12/2003 Lee
2004/0095013 A1 5/2004 Gerard
2005/0062338 A1 3/2005 Vernet et al.
2005/0269866 A1 12/2005 Mcgoon
2005/0287925 A1 12/2005 Proch et al.

OTHER PUBLICATIONS

<http://horsepowersports.com/clear-wheels-for-your-car-by-forgiato/>, Dec. 8, 2006.*
<http://www.flickr.com/photos/1ten/291086466/>, Dec. 18, 2007.*
<http://lewiselectronics.com/gallery/index.php?level=picture&id=236>, Oct. 31, 2006.*
U.S. Appl. No. 11/145,014, Multi-piece wheel assembly with transparent components, filed Jun. 3, 2005.
* cited by examiner

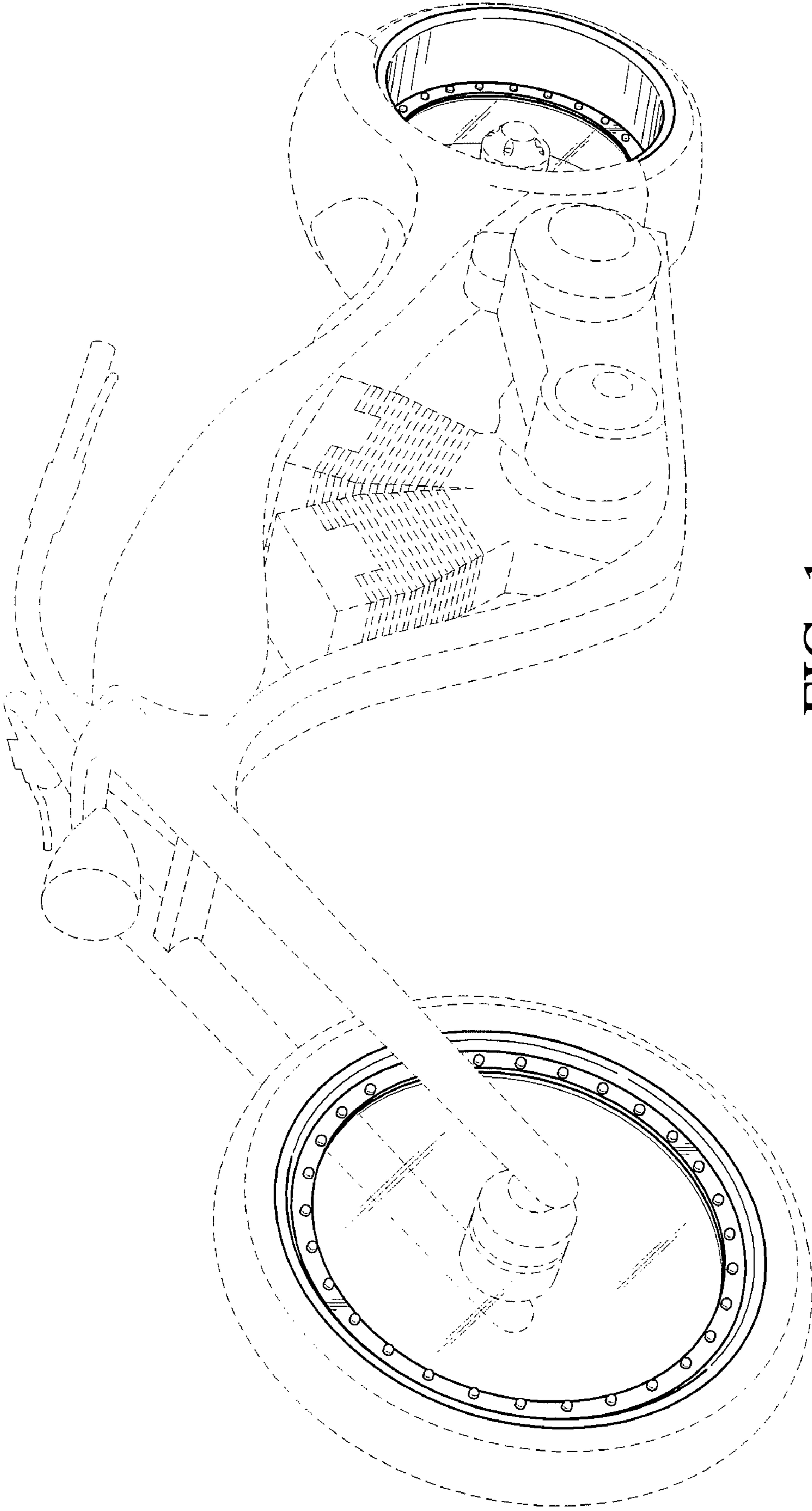


FIG. 1

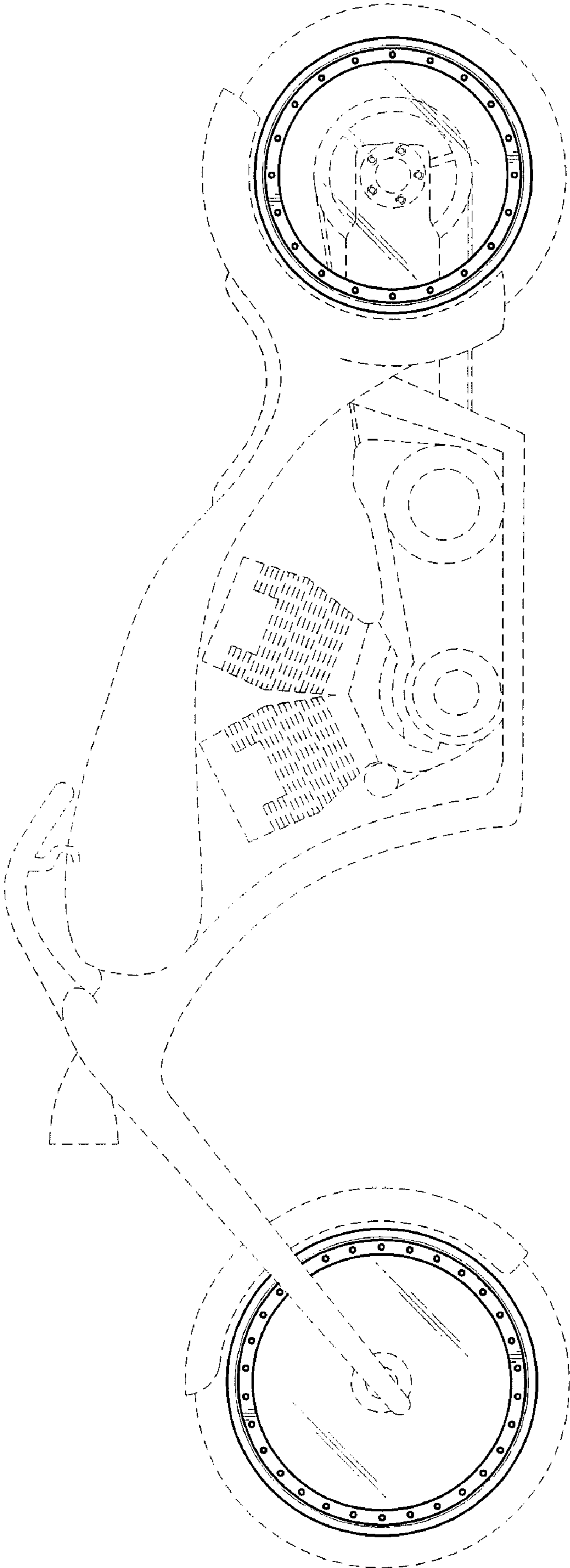


FIG. 2

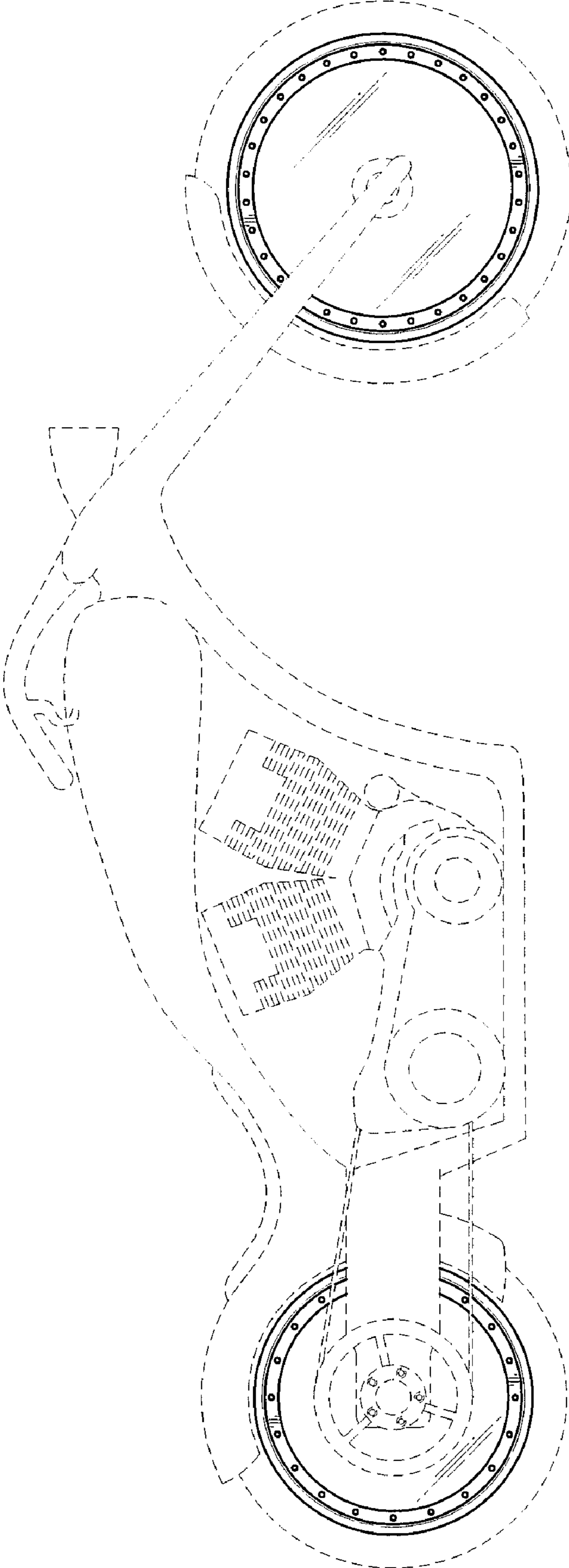


FIG. 3

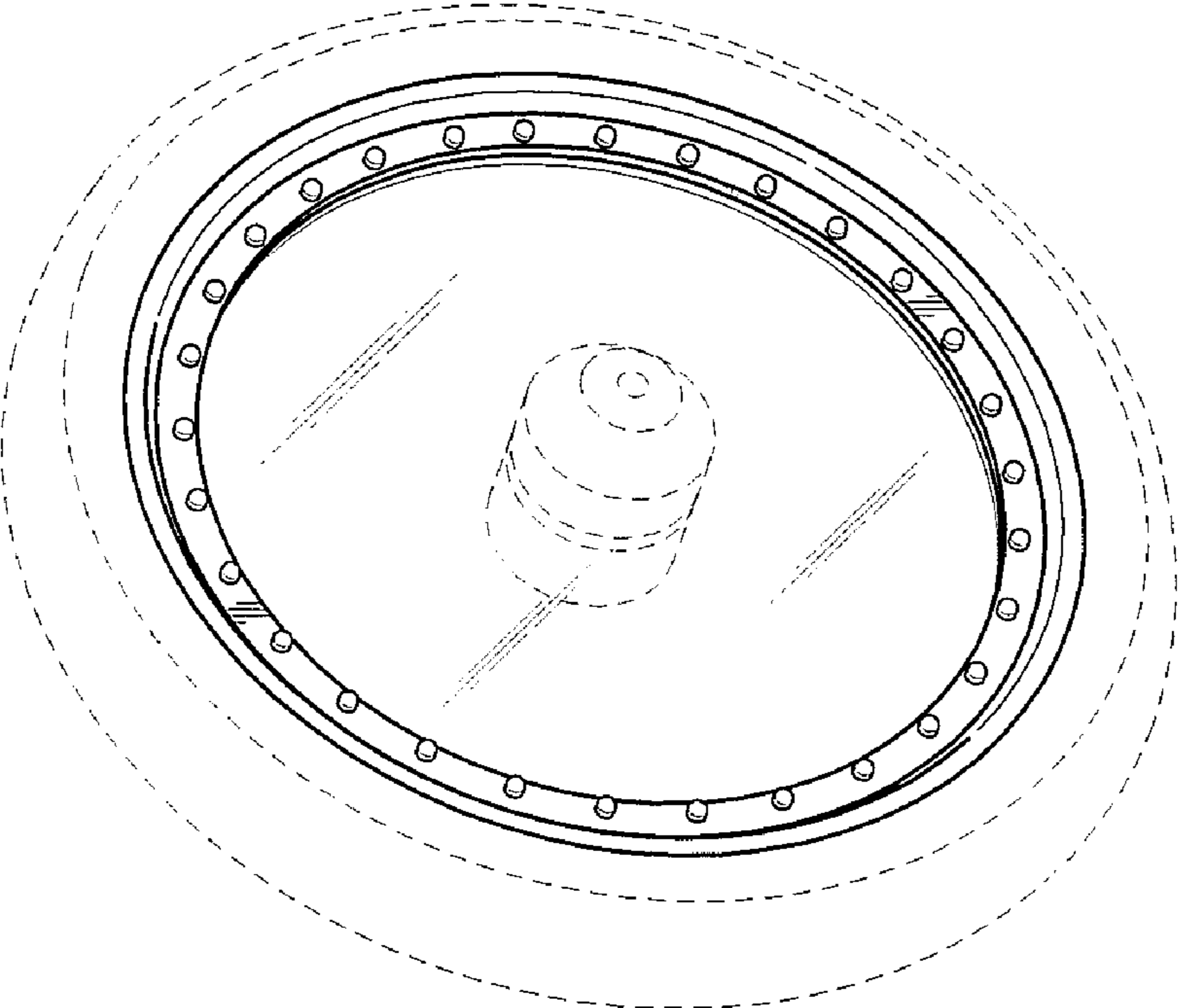


FIG. 5

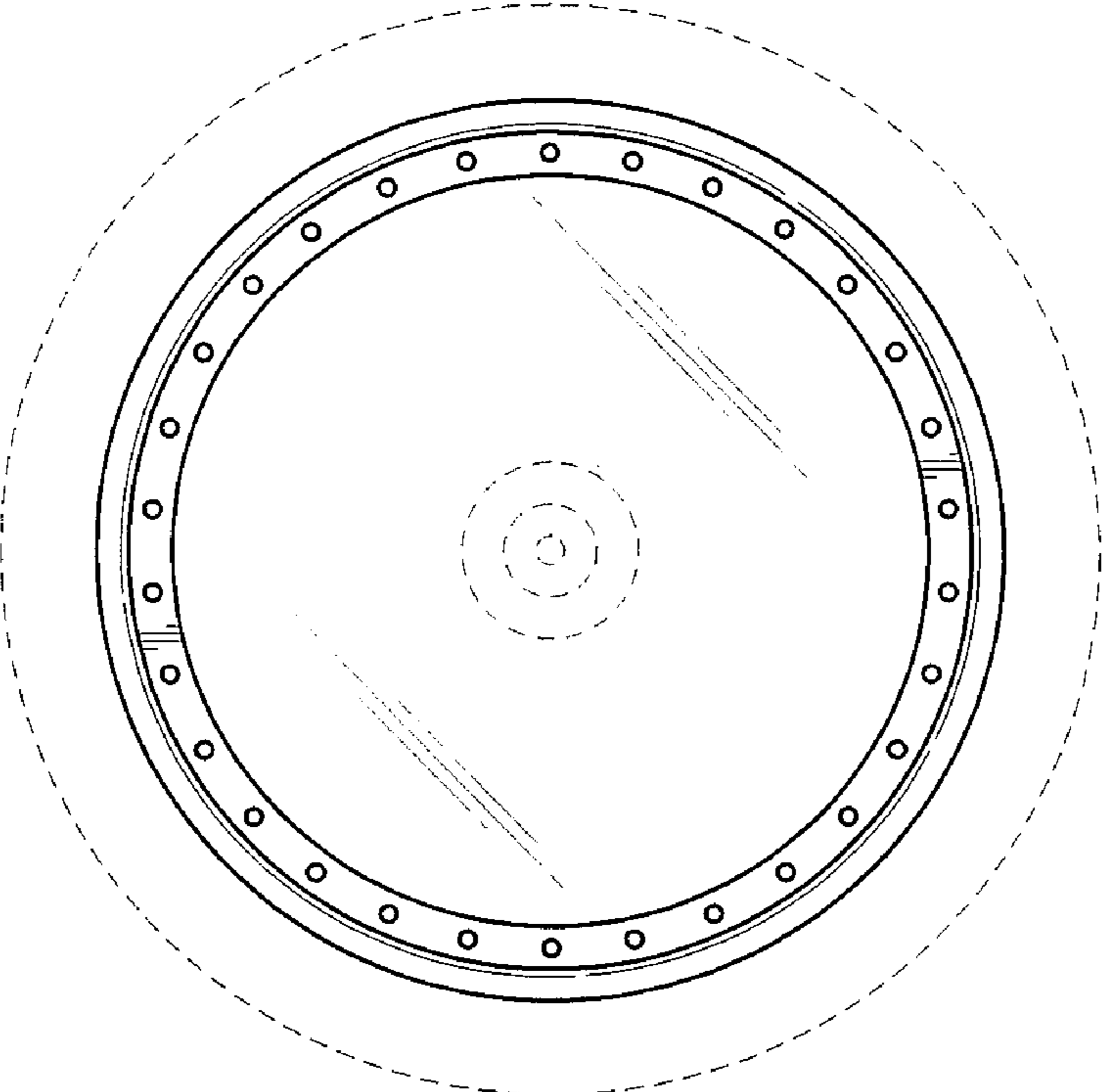


FIG. 4

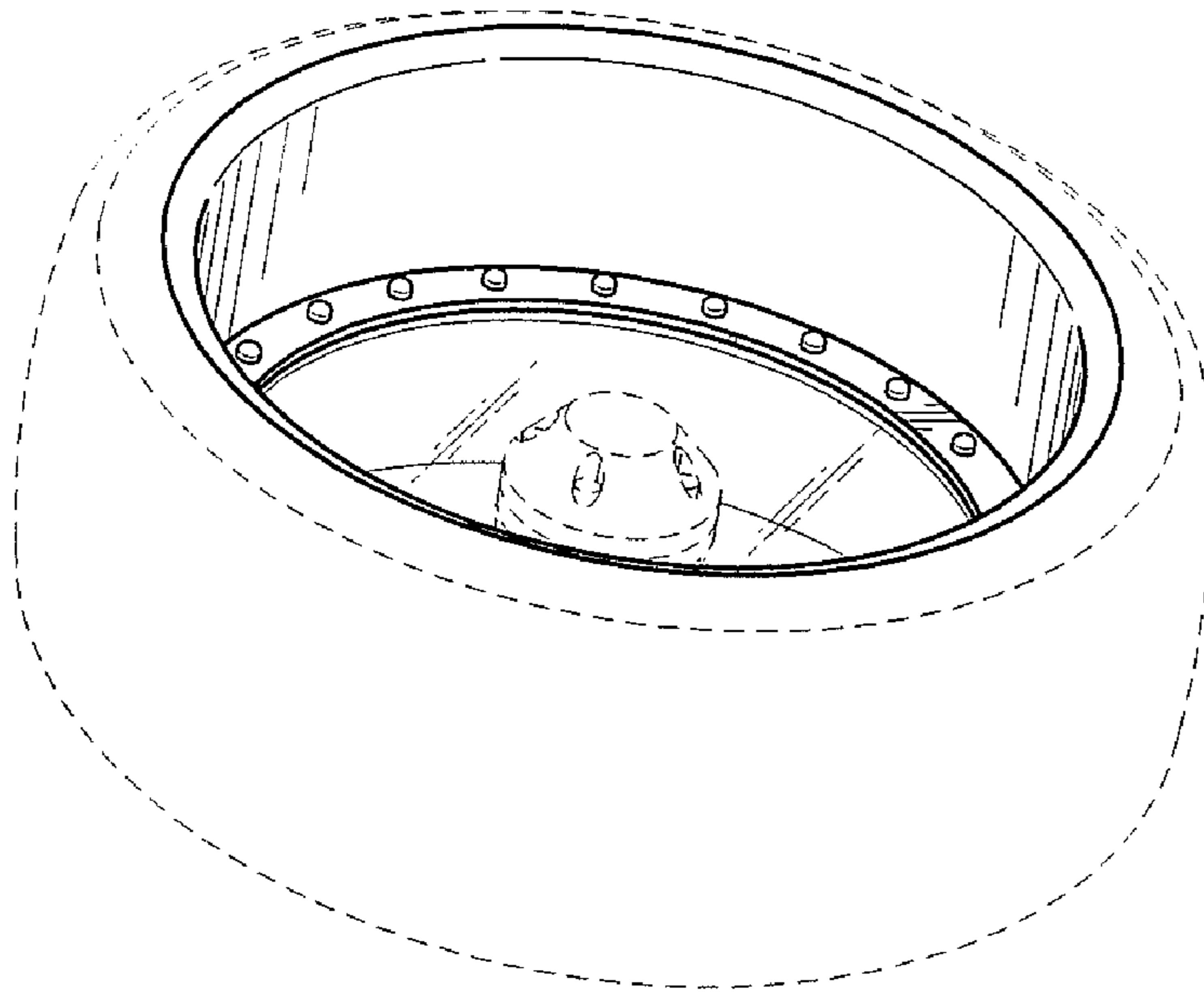


FIG. 7

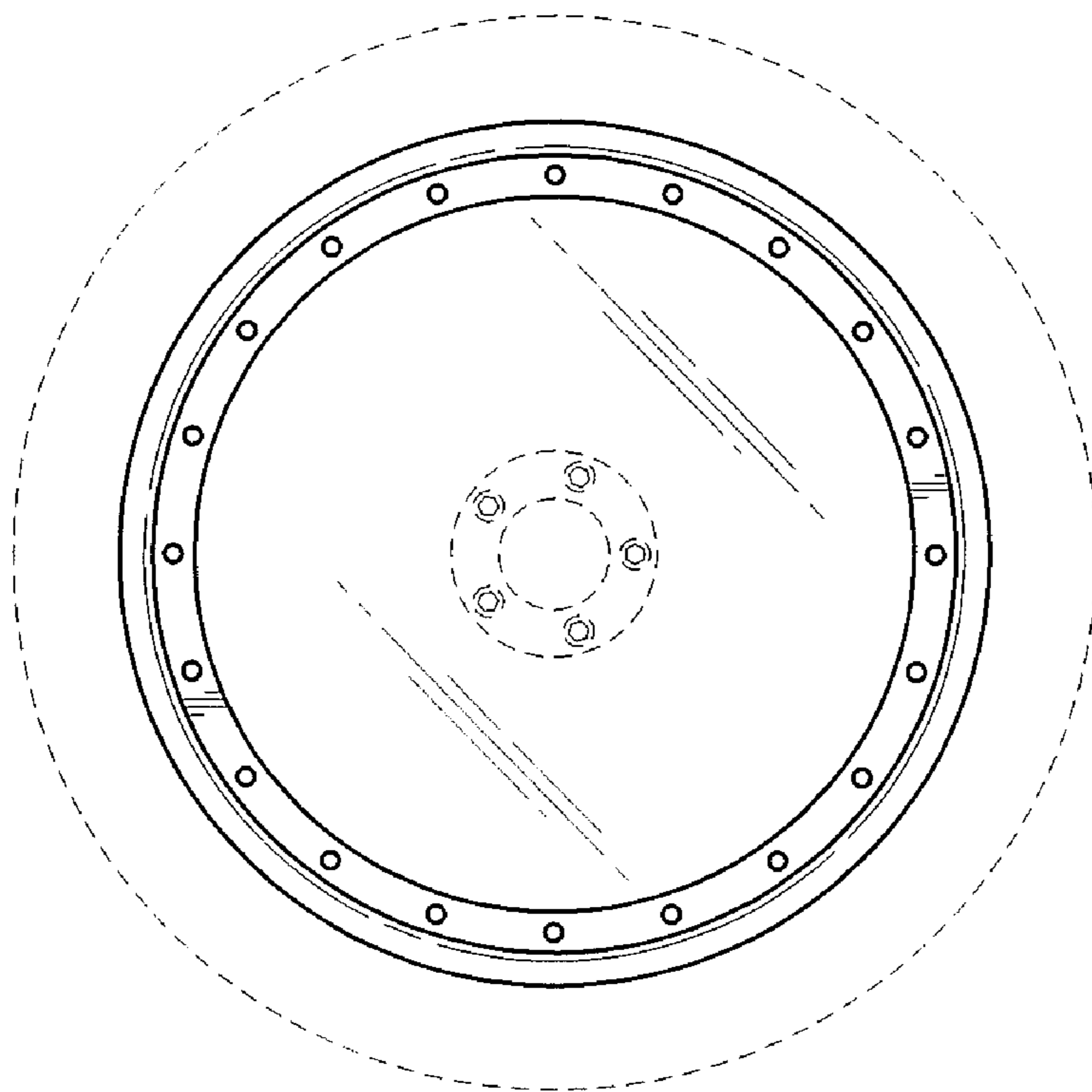


FIG. 6