



US00D578943S

(12) **United States Design Patent**  
**Lin**

(10) **Patent No.:** **US D578,943 S**  
(45) **Date of Patent:** **\*\* Oct. 21, 2008**

(54) **LICENSE PLATE FRAME**

(76) Inventor: **Benny Lin**, Building B, No. 30, Lane 9,  
Sec. 2, Jhongsing Rd., Wugu Hsiang,  
Taipei Hsien (TW)

(\*\*) Term: **14 Years**

(21) Appl. No.: **29/307,149**

(22) Filed: **Apr. 3, 2008**

(51) **LOC (8) Cl.** ..... **12-16**

(52) **U.S. Cl.** ..... **D12/193**

(58) **Field of Classification Search** ..... D12/193;  
D6/300-303, 310-314; 40/200-204, 207-214;  
362/497, 473, 327, 604

See application file for complete search history.

(56) **References Cited**

**U.S. PATENT DOCUMENTS**

D280,400	S	*	9/1985	Luthe et al.	.....	D12/193
D284,848	S	*	7/1986	Preisler et al.	.....	D12/193
D318,838	S	*	8/1991	Troncoso	.....	D12/193
D370,450	S	*	6/1996	Doan	.....	D12/193
D377,161	S	*	1/1997	Shuen	.....	D12/193
D411,500	S	*	6/1999	Steinhagen	.....	D12/193
D435,819	S	*	1/2001	Spencer	.....	D12/193
D488,418	S	*	4/2004	Russo	.....	D12/193
D567,163	S	*	4/2008	Hu	.....	D12/193

\* cited by examiner

*Primary Examiner*—Stacia Cadmus

(74) *Attorney, Agent, or Firm*—William E. Pelton, Esq.;  
Cooper & Dunham LLP

(57) **CLAIM**

The ornamental design for a license plate frame, as shown and described.

**DESCRIPTION**

FIG. 1 is a perspective view of a license plate frame showing my new design;

FIG. 2 is a front view thereof;

FIG. 3 is a rear view thereof;

FIG. 4 is a top view thereof;

FIG. 5 is a bottom view thereof;

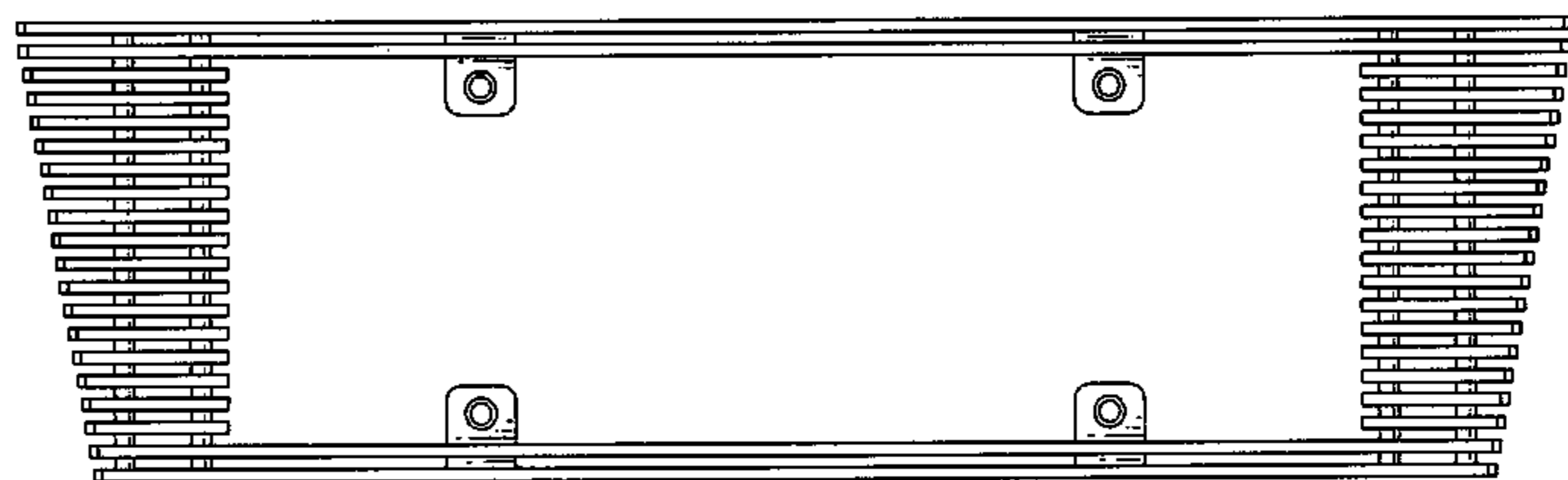
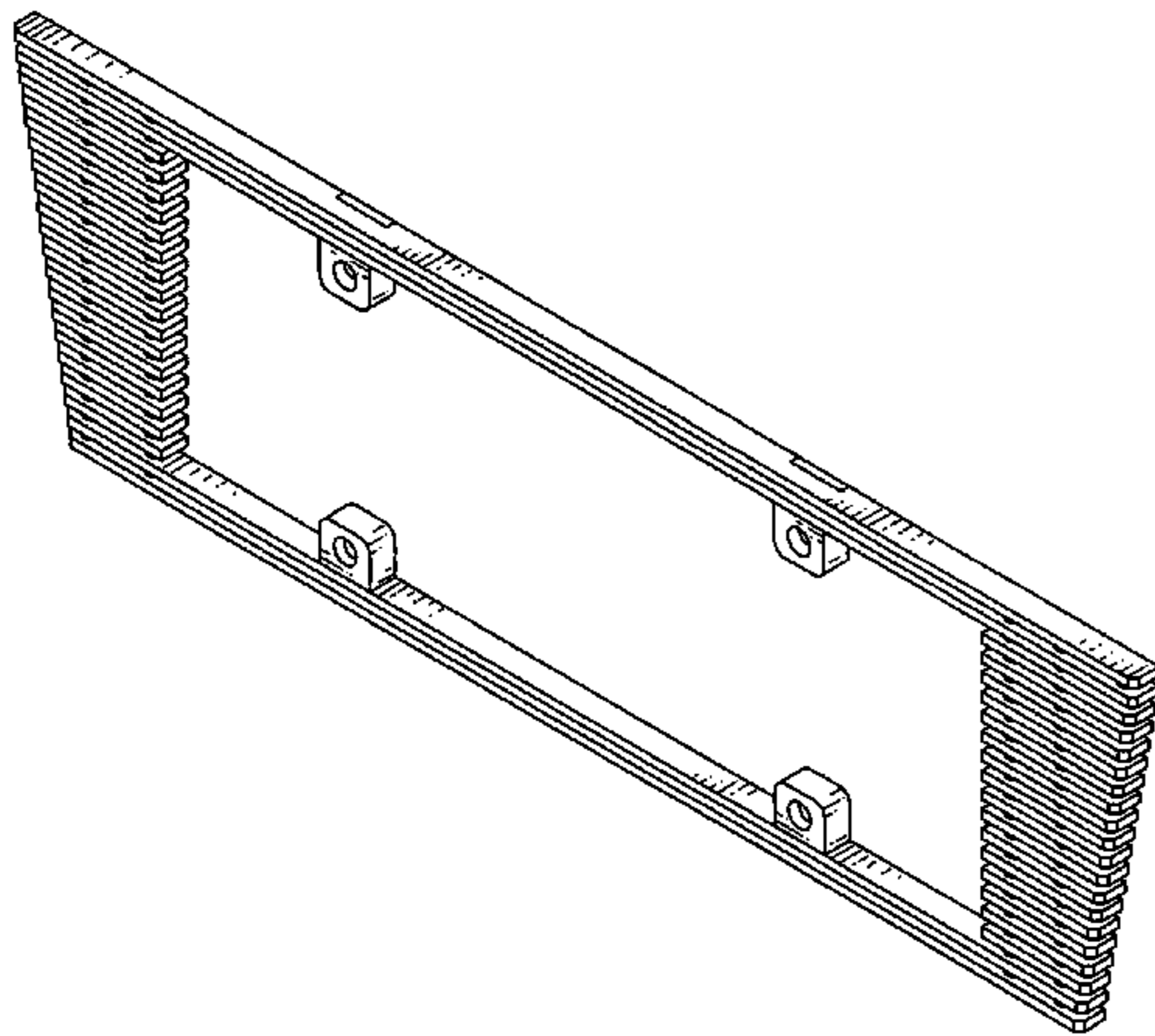
FIG. 6 is a right side view thereof, wherein a left side view thereof is a mirror image of the right side view;

FIG. 7 is an operational perspective view thereof with a number plate mounted in the license plate frame; and,

FIG. 8 is another operational perspective view thereof with the license plate frame inverted and the licence plate is mounted therein.

The broken lines are for reference only and form no part of the claimed invention.

**1 Claim, 7 Drawing Sheets**



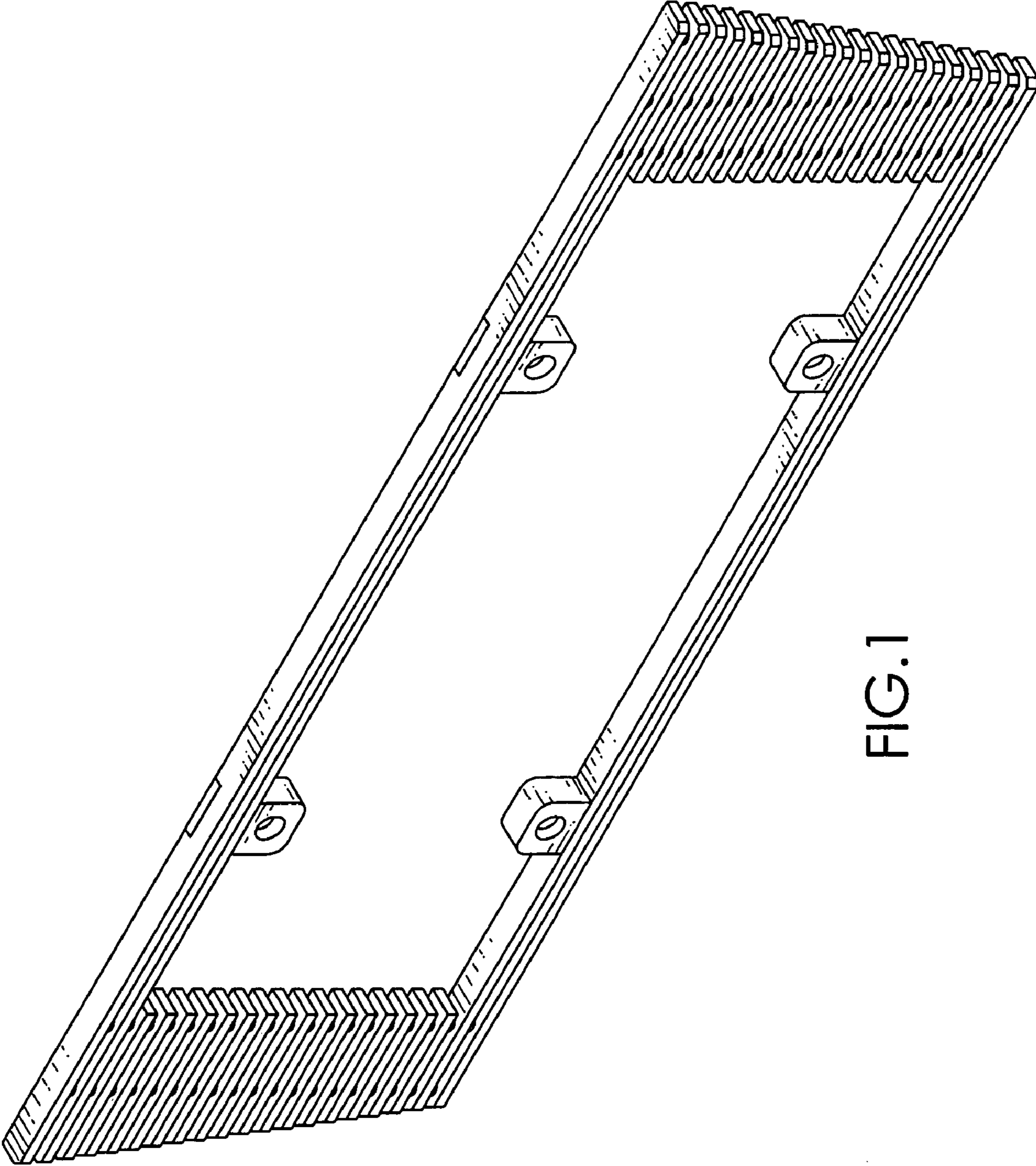


FIG.1

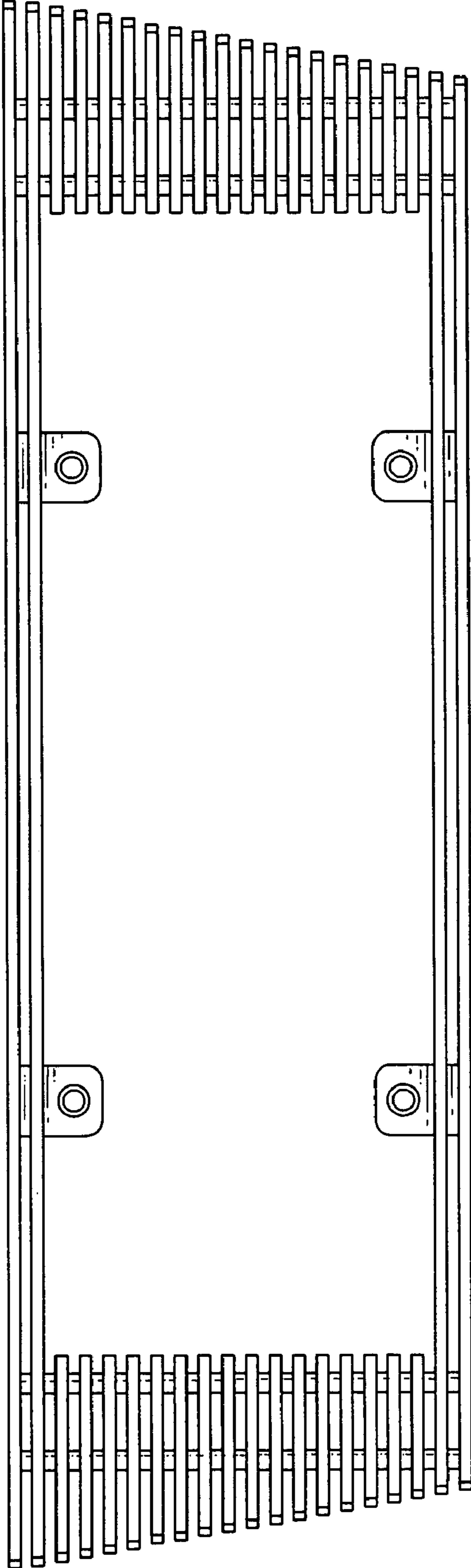


FIG.2

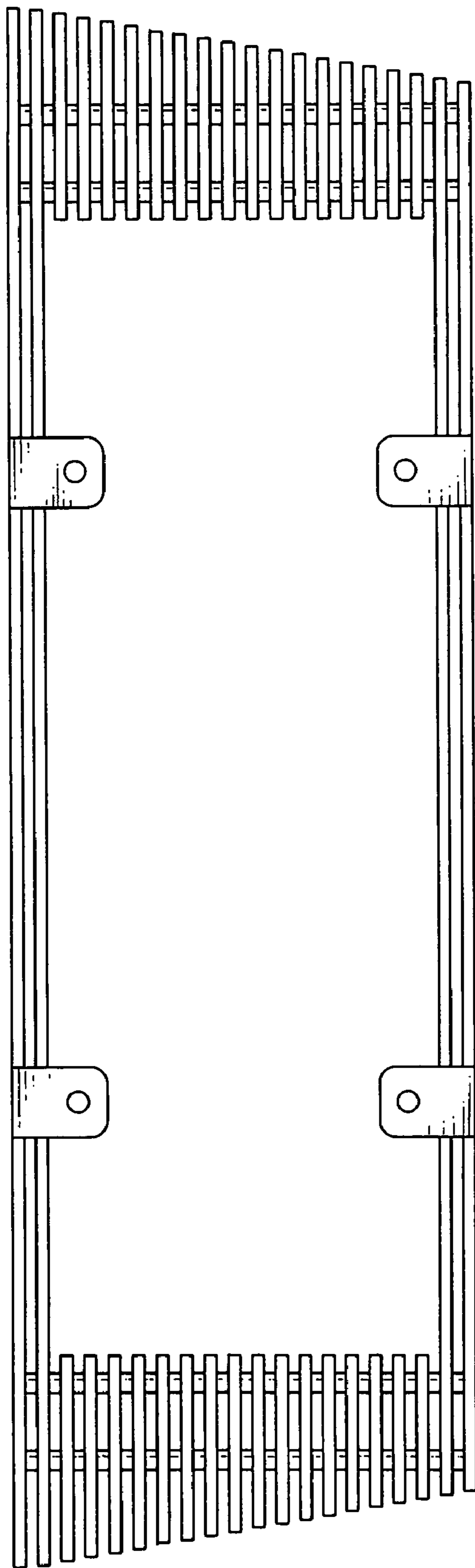


FIG.3



FIG. 4



FIG. 5



FIG. 6

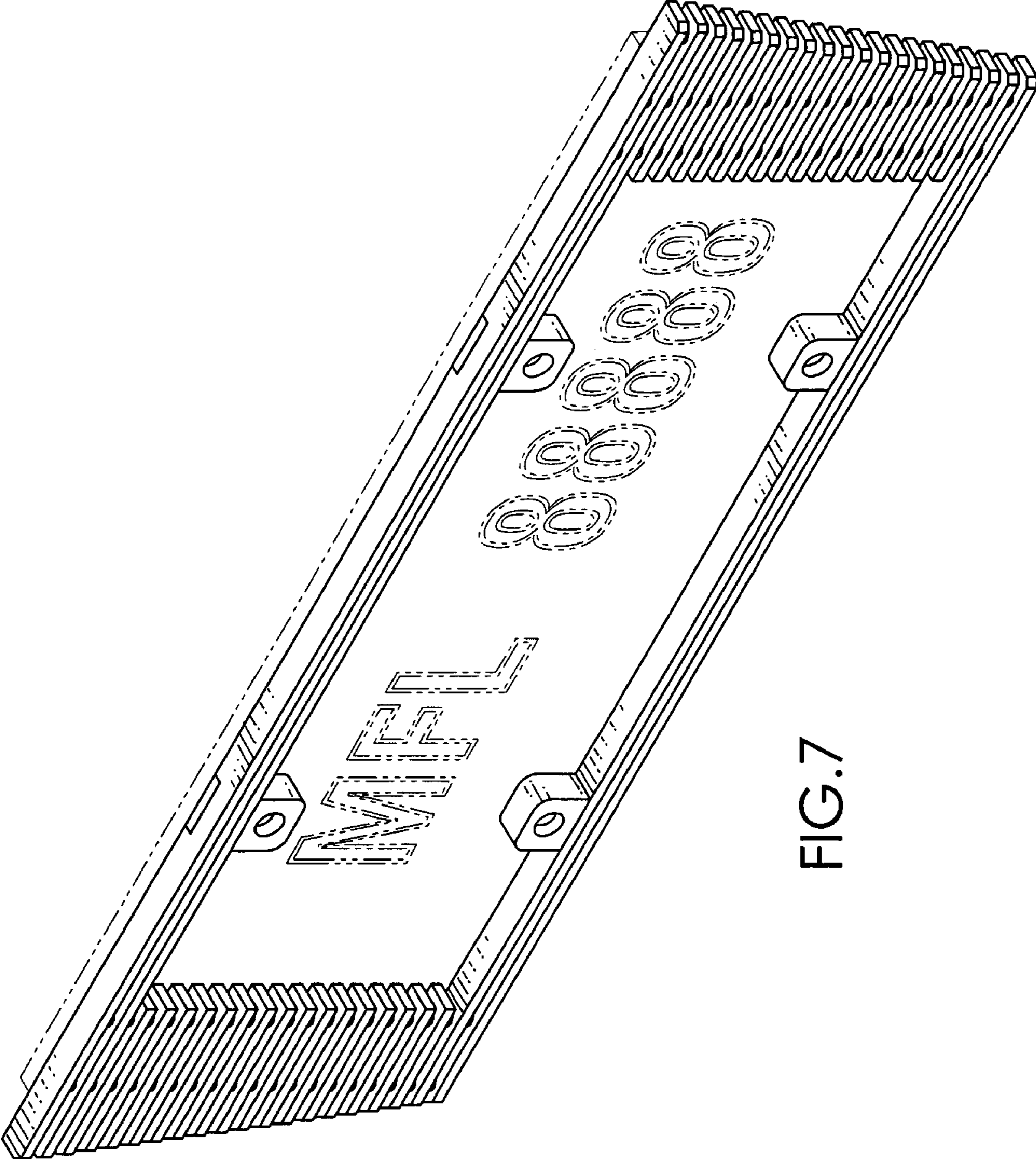


FIG.7

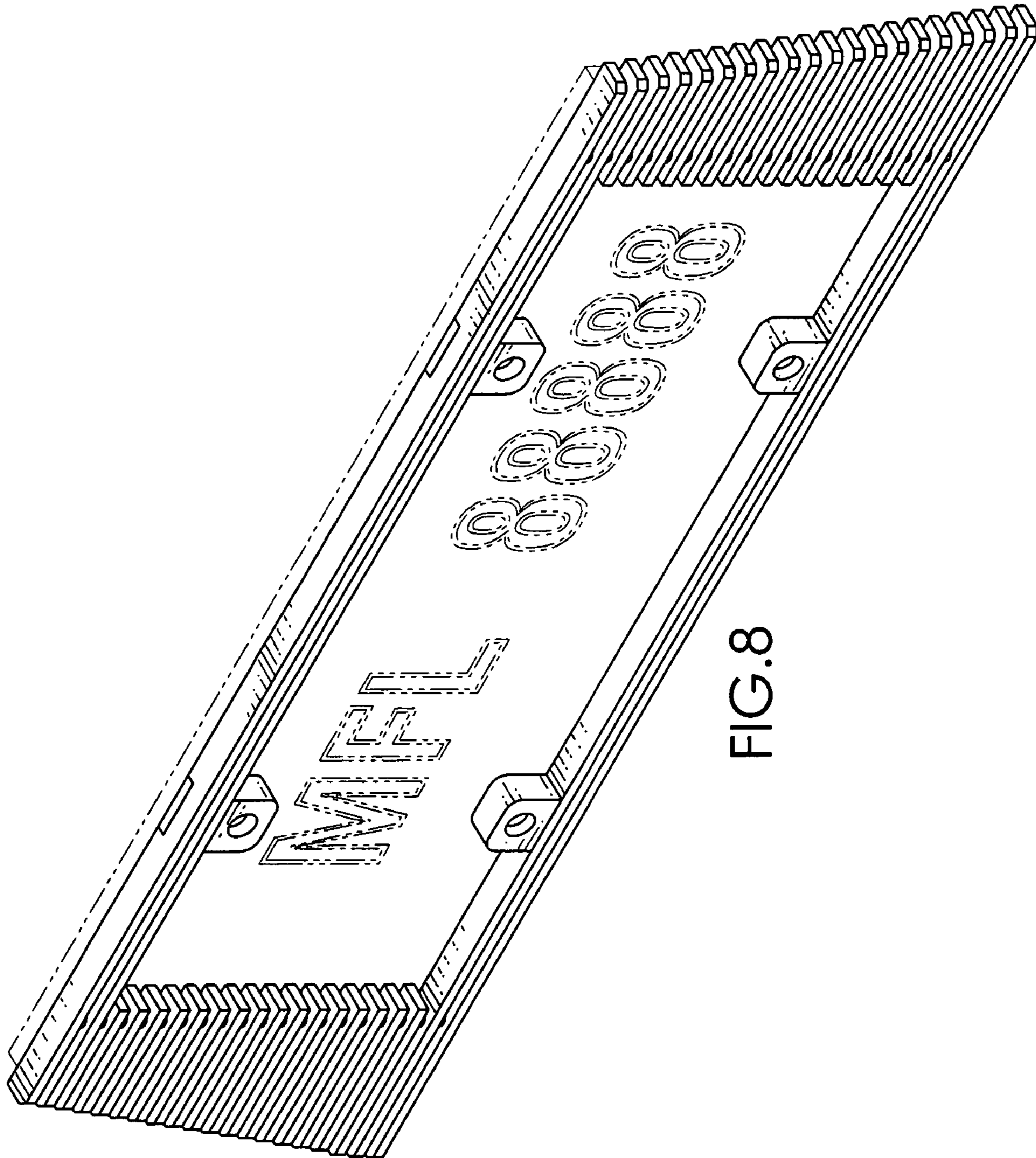


FIG.8