



US00D578937S

(12) **United States Design Patent**
Hayashi et al.

(10) **Patent No.:** **US D578,937 S**
(45) **Date of Patent:** **** Oct. 21, 2008**

(54) **FRONT GRILLE FOR AN AUTOMOBILE**

D536,284 S * 2/2007 Nakamura et al. D12/163
D539,707 S * 4/2007 Golden et al. D12/163

(75) Inventors: **Akikazu Hayashi**, Toyota (JP);
Takahiro Kanno, Toyota (JP); **Kengo**
Matsumoto, Toyota (JP)

OTHER PUBLICATIONS

Lexus, ES 350, Press kit for New York Auto Show, 2006, Toyota
Jidosha Kabushiki Kaisha.

(73) Assignee: **Toyota Jidosha Kabushiki Kaisha** (JP)

Lexus, IS 350, <http://lexus.jp/models/is/design/exterior.html>, at least
as early as Aug. 28, 2006.

(**) Term: **14 Years**

* cited by examiner

(21) Appl. No.: **29/283,959**

Primary Examiner—Melody N Brown

(22) Filed: **Aug. 28, 2007**

(74) *Attorney, Agent, or Firm*—Saidman DesignLaw Group

(51) **LOC (8) Cl.** **12-16**

(52) **U.S. Cl.** **D12/163**

(58) **Field of Classification Search** D12/163,
D12/171, 196, 216, 90-92, 86; 180/68.1,
180/68.6; 296/193.11

See application file for complete search history.

(57) **CLAIM**

The ornamental design for a front grille for an automobile, as
shown and described.

(56) **References Cited**

U.S. PATENT DOCUMENTS

D501,435 S * 2/2005 Hosoda et al. D12/163
D505,099 S * 5/2005 Suzuki D12/163
D519,425 S * 4/2006 Metsugi et al. D12/163
D525,920 S * 8/2006 Toyoda D12/163

DESCRIPTION

FIG. 1 is a perspective view of a front grille for an automobile
showing our new design;

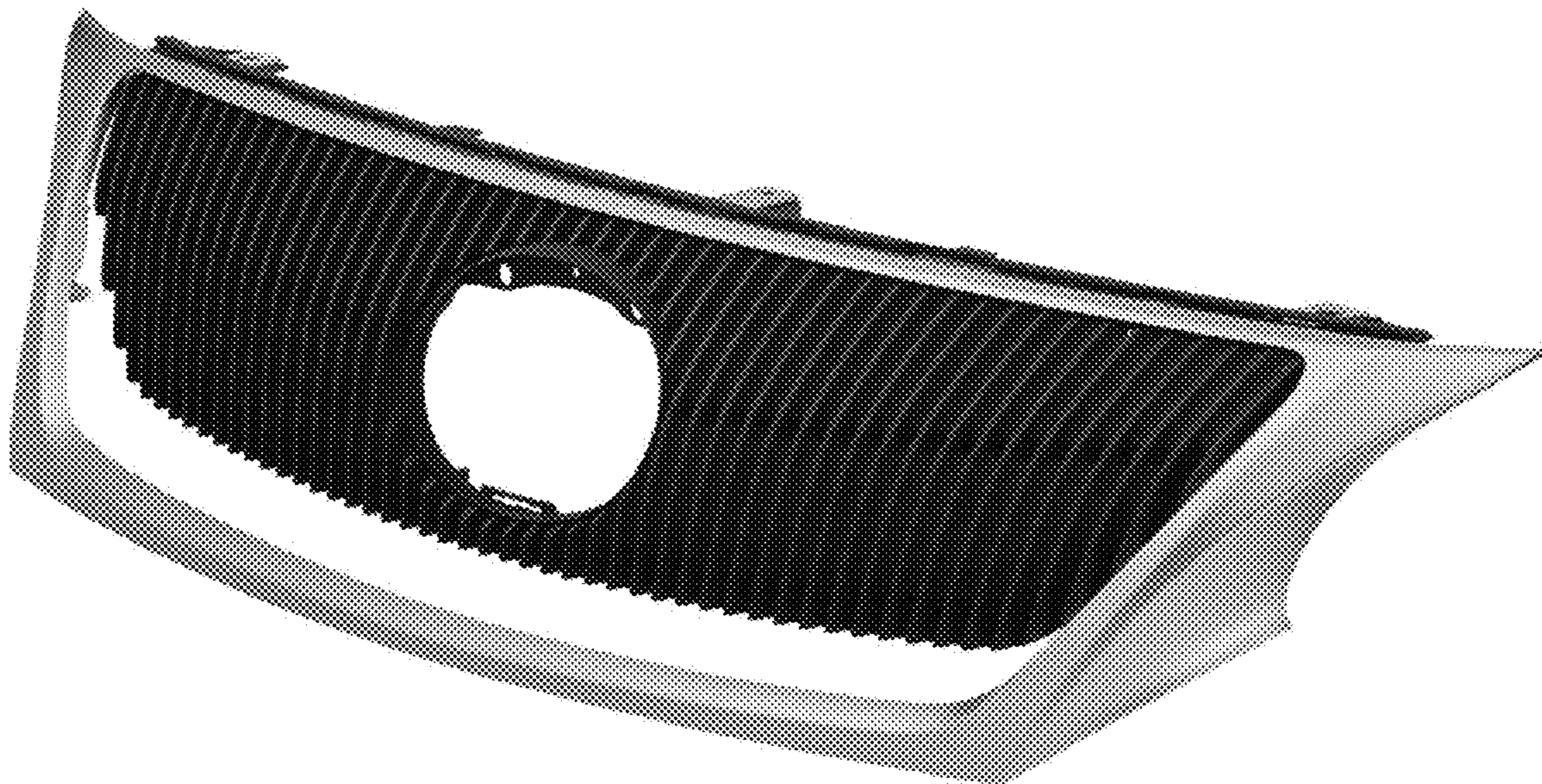
FIG. 2 is a front view thereof;

FIG. 3 is a top view thereof;

FIG. 4 is a left-side view thereof; and,

FIG. 5 is a right-side view thereof.

1 Claim, 2 Drawing Sheets



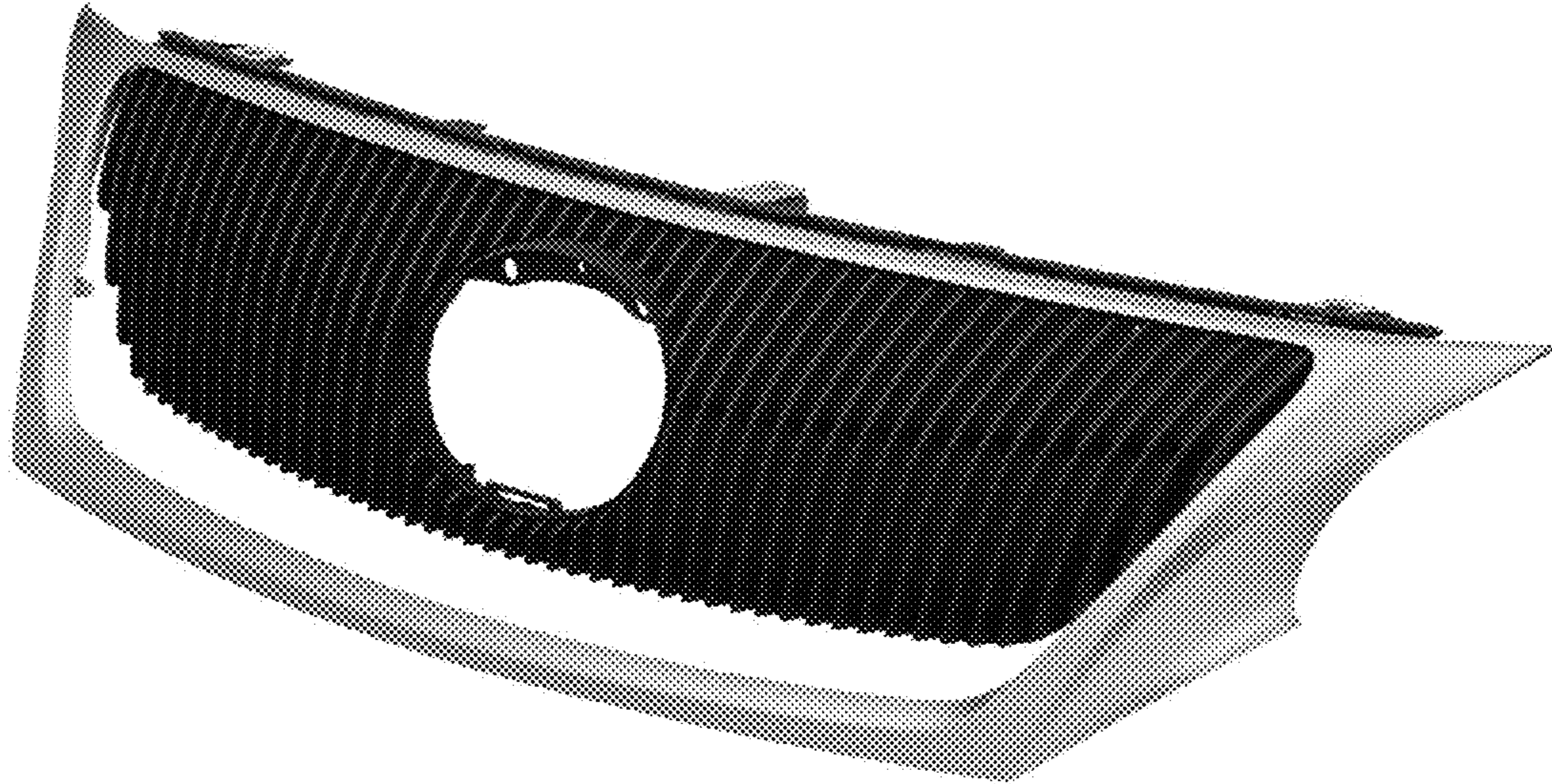


FIG. 1

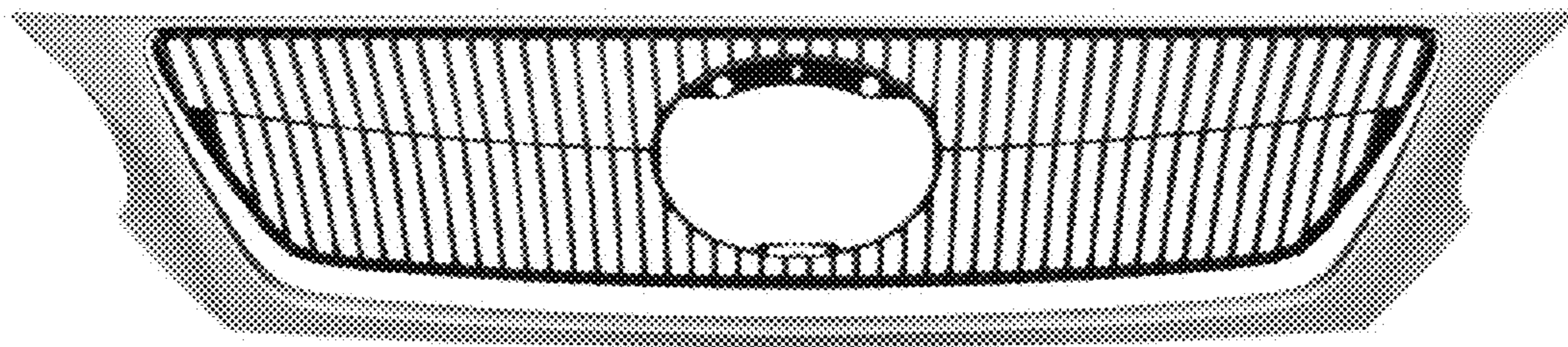


FIG. 2

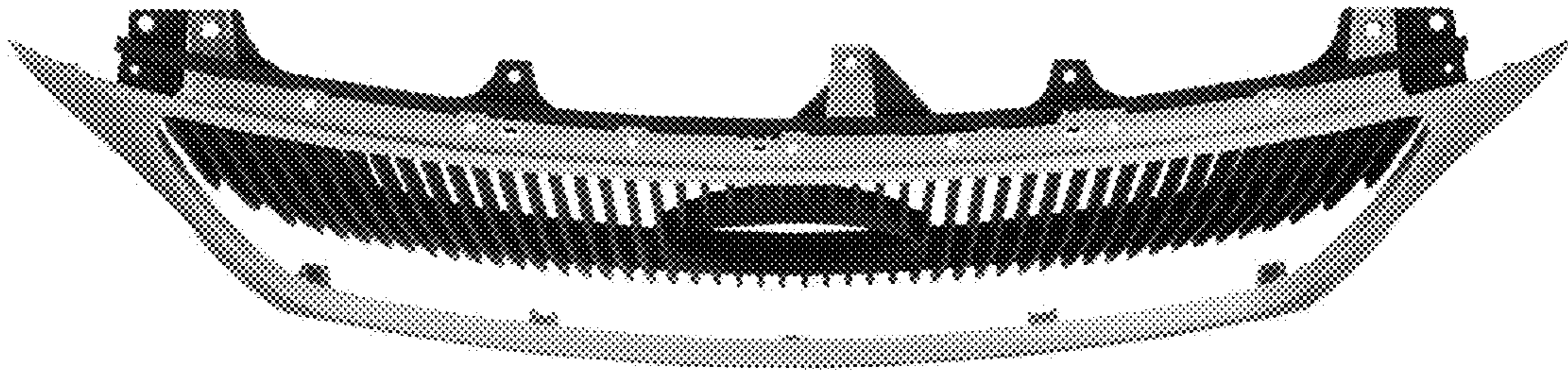


FIG. 3

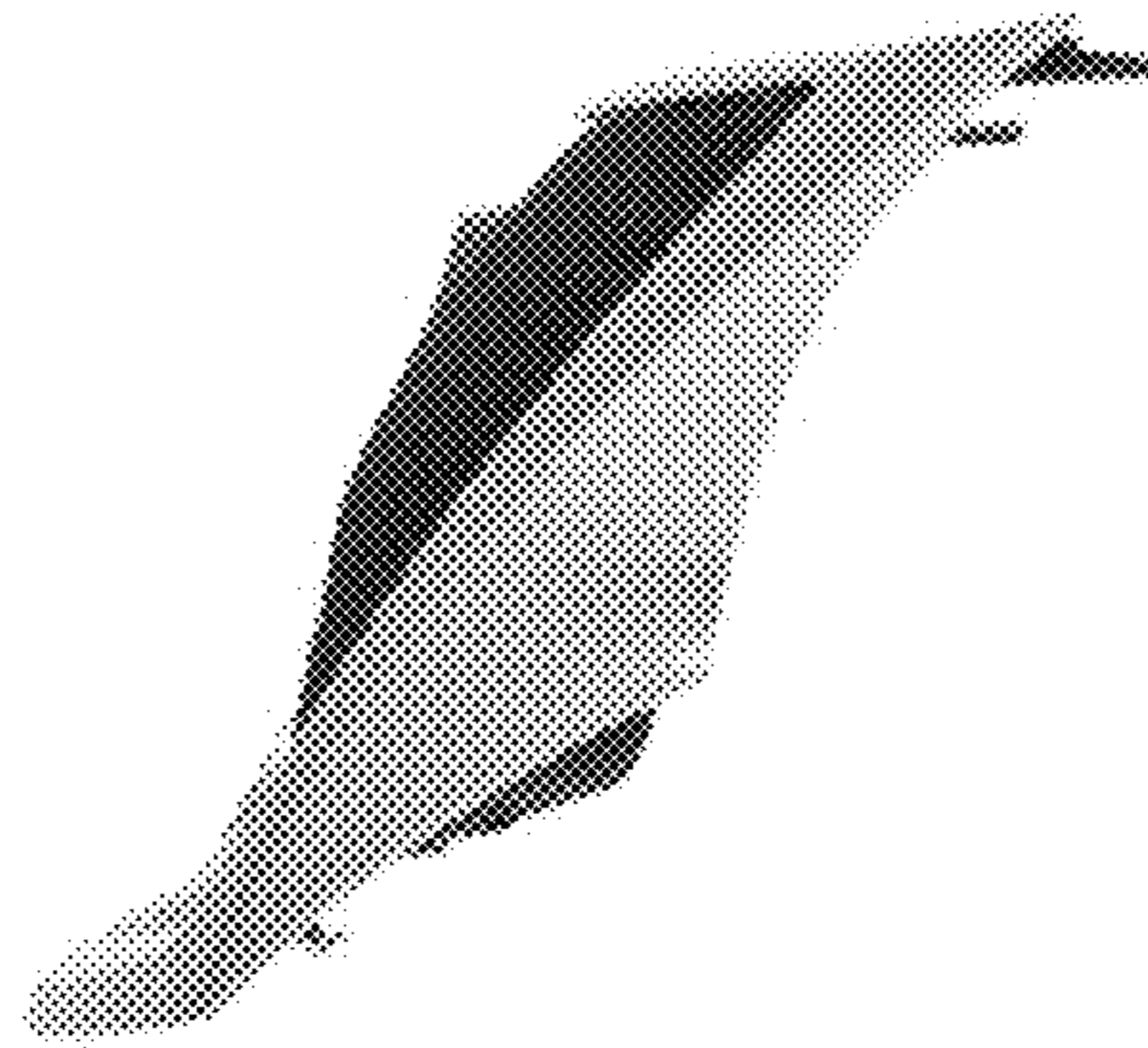


FIG. 4

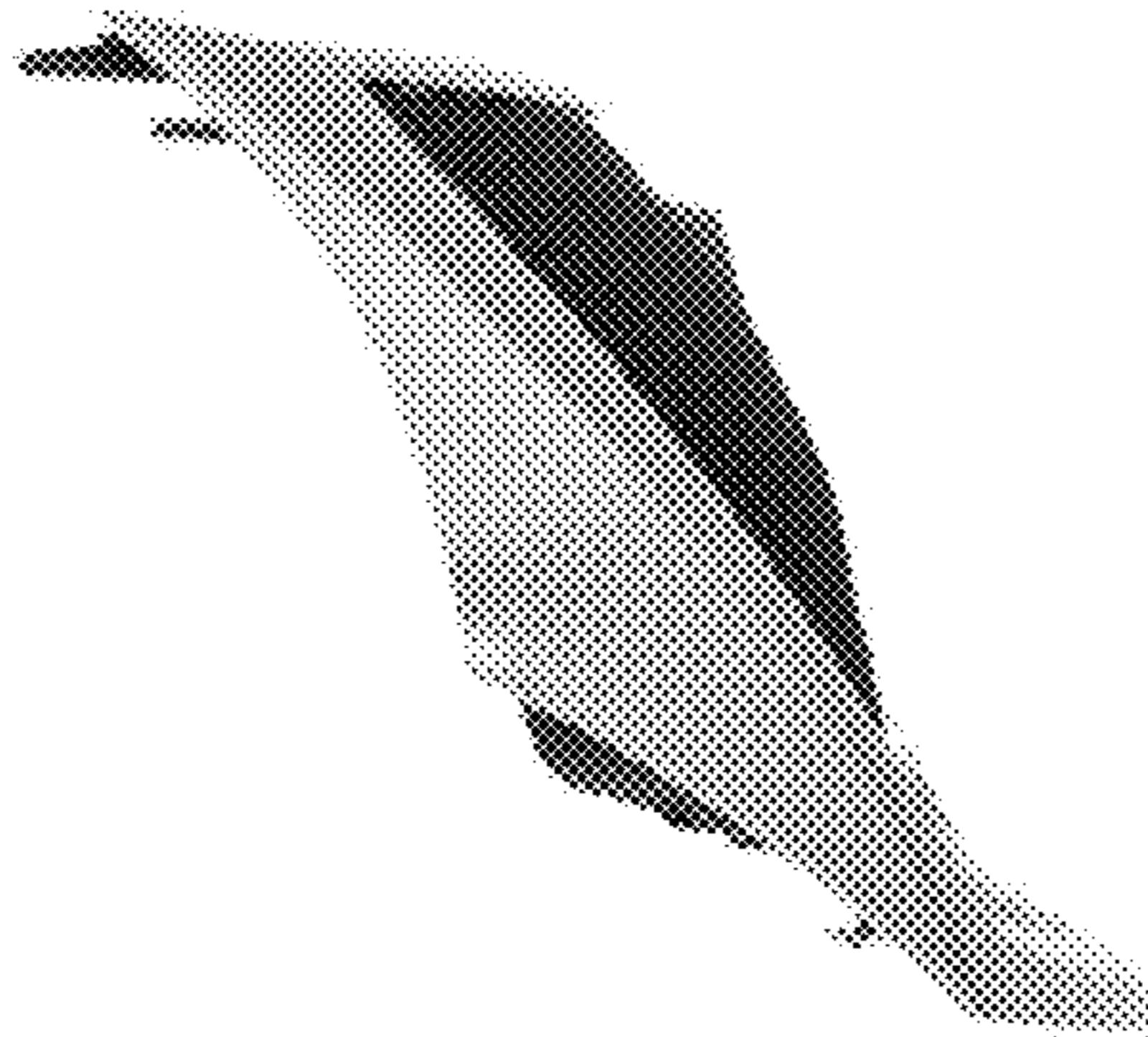


FIG. 5