



US00D578936S

(12) **United States Design Patent**
Chen

(10) **Patent No.:** **US D578,936 S**
(45) **Date of Patent:** **** Oct. 21, 2008**

(54) **BABY CARRIAGE**

(74) *Attorney, Agent, or Firm*—Rosenberg, Klein & Lee

(76) **Inventor:** **Ting-Yu Chen**, 8F., No. 316, Sec. 2,
Cinghai Rd., Situn District, Taichung
City 407 (TW)

(57) **CLAIM**

The ornamental design for a baby carriage, as shown and described.

(**) **Term:** **14 Years**

DESCRIPTION

(21) **Appl. No.:** **29/287,023**

FIG. 1 is a front perspective view of a baby carriage showing my new design;

(22) **Filed:** **Jun. 19, 2007**

FIG. 2 is a front elevation view thereof;

(51) **LOC (8) Cl.** **12-12**

FIG. 3 is a rear elevation view thereof;

(52) **U.S. Cl.** **D12/129**

FIG. 4 is a left elevation view thereof;

(58) **Field of Classification Search** D12/128-133;

FIG. 5 is a right elevation view thereof;

280/37, 62, 647-650, 29, 200, 47.4, 47.38,

FIG. 6 is a top plane view thereof; and

280/250.1, 259, 642, 658, 644; 297/30, 130,

FIG. 7 is a bottom plane view thereof;

297/DIG. 4; 296/65.3, 65.4; 224/409

See application file for complete search history.

FIG. 8 is a side view thereof with the seat frame in an alternate position;

(56) **References Cited**

U.S. PATENT DOCUMENTS

6,513,827 B1 * 2/2003 Barenbrug 280/648

FIG. 9 is a further side view thereof with the seat frame in an alternate position;

7,021,651 B2 * 4/2006 Lan 280/642

FIG. 10 is a further side view thereof with the seat frame oriented opposite as shown in FIG. 9; and,

7,032,922 B1 * 4/2006 Lan 280/648

FIG. 11 is a further side view thereof with the seat frame in an alternate position.

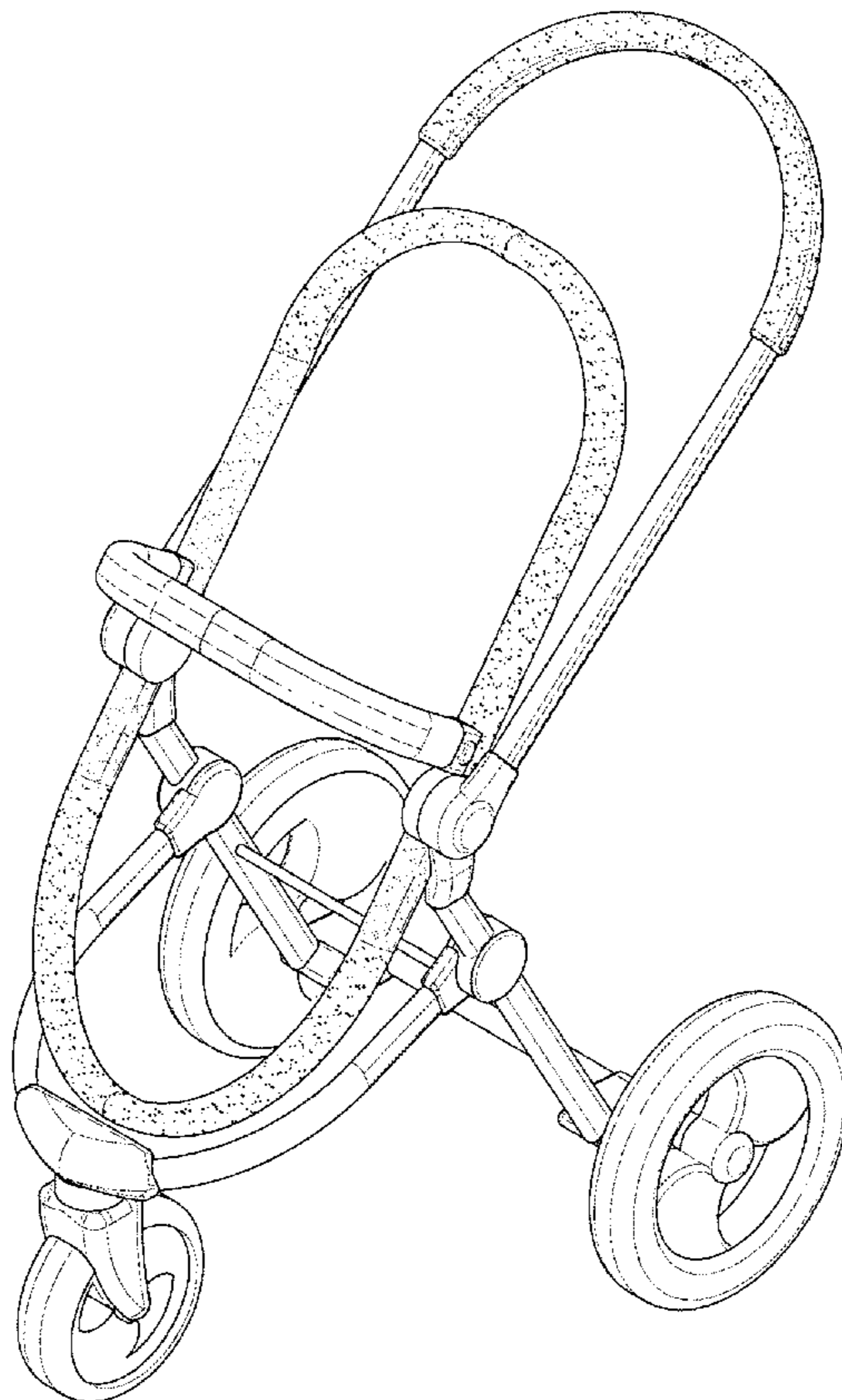
D558,099 S * 12/2007 Yang D12/129

* cited by examiner

Primary Examiner—Charles A. Rademaker

Assistant Examiner—Charles D Hanson

1 Claim, 11 Drawing Sheets



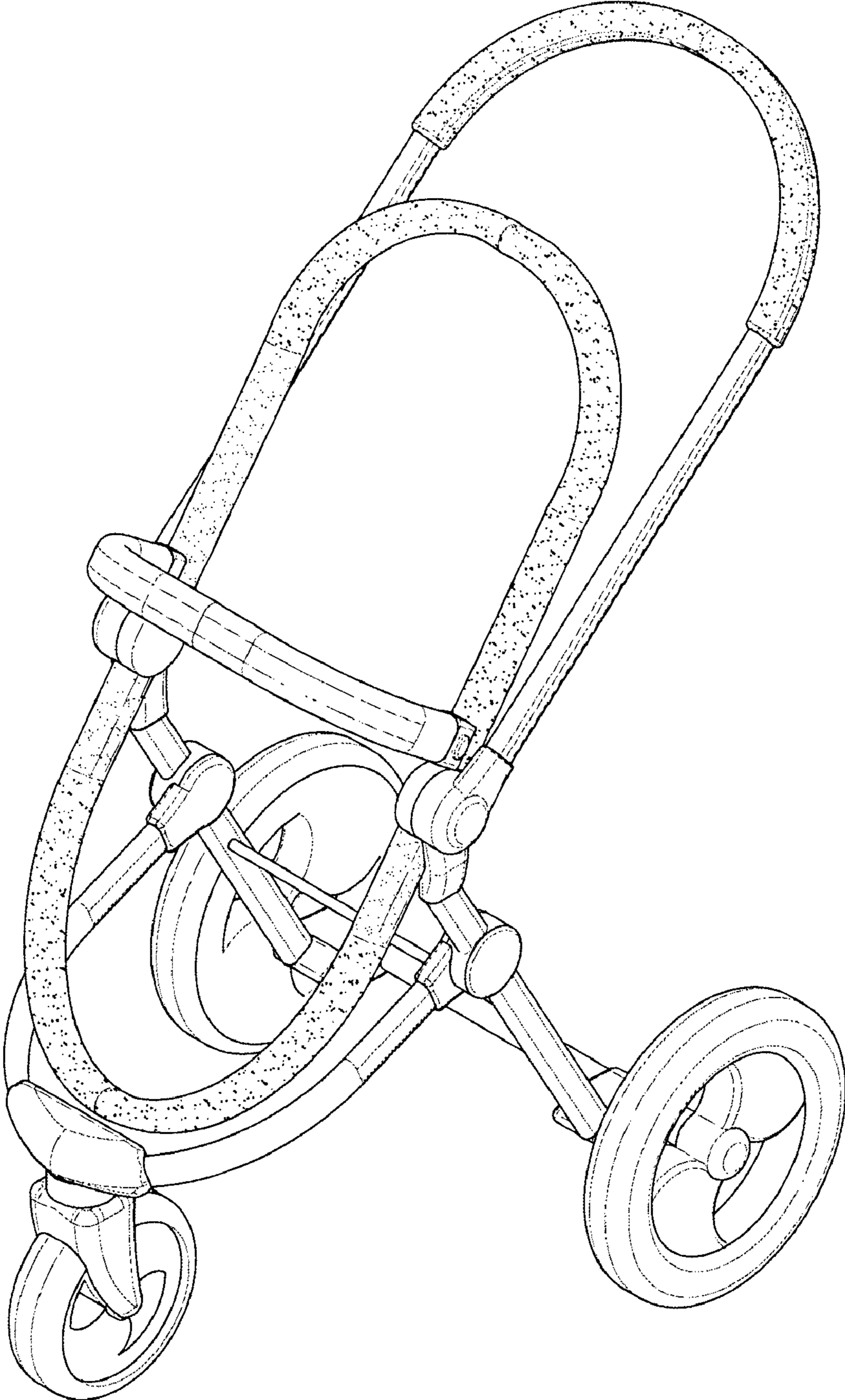


FIG. 1

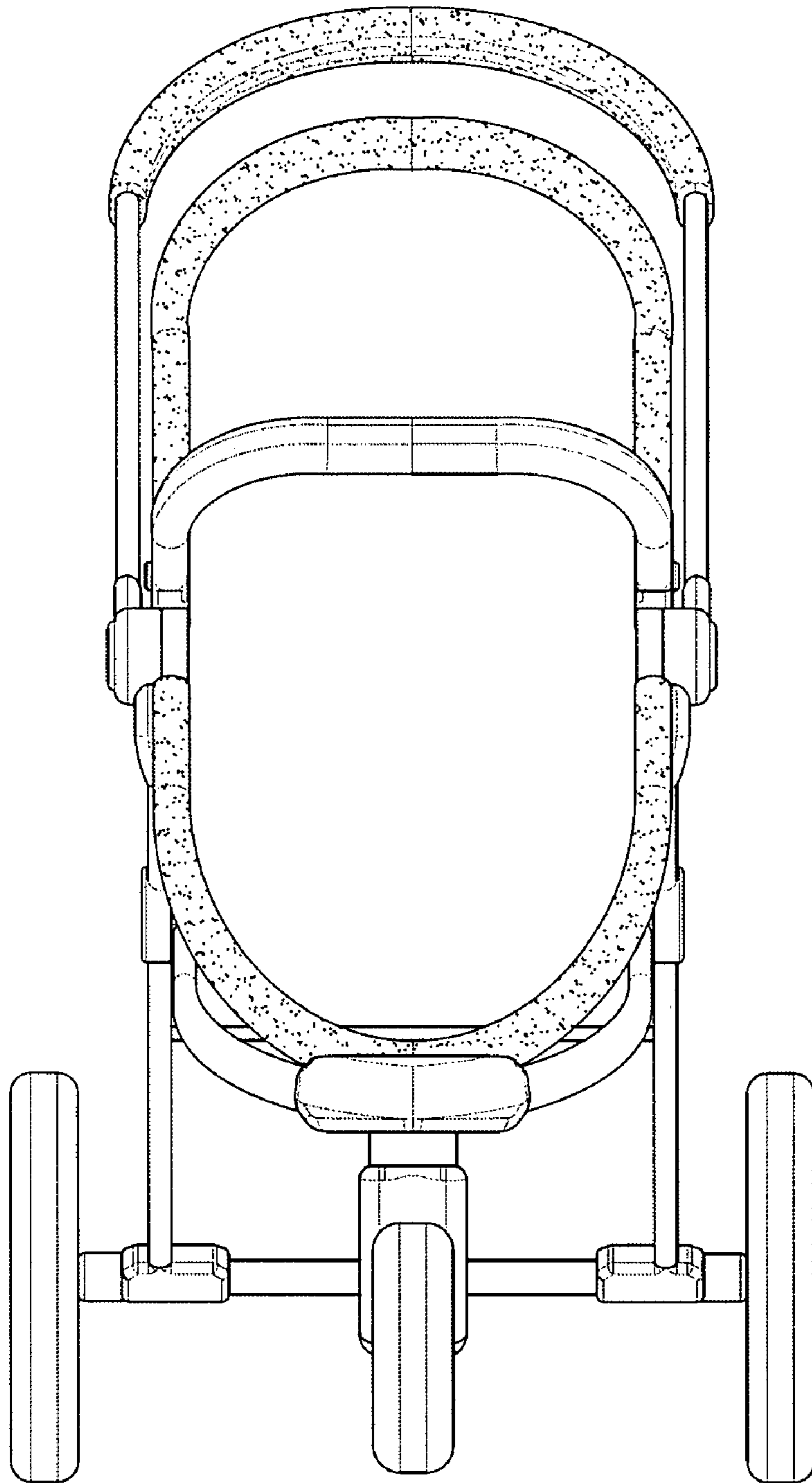


FIG. 2

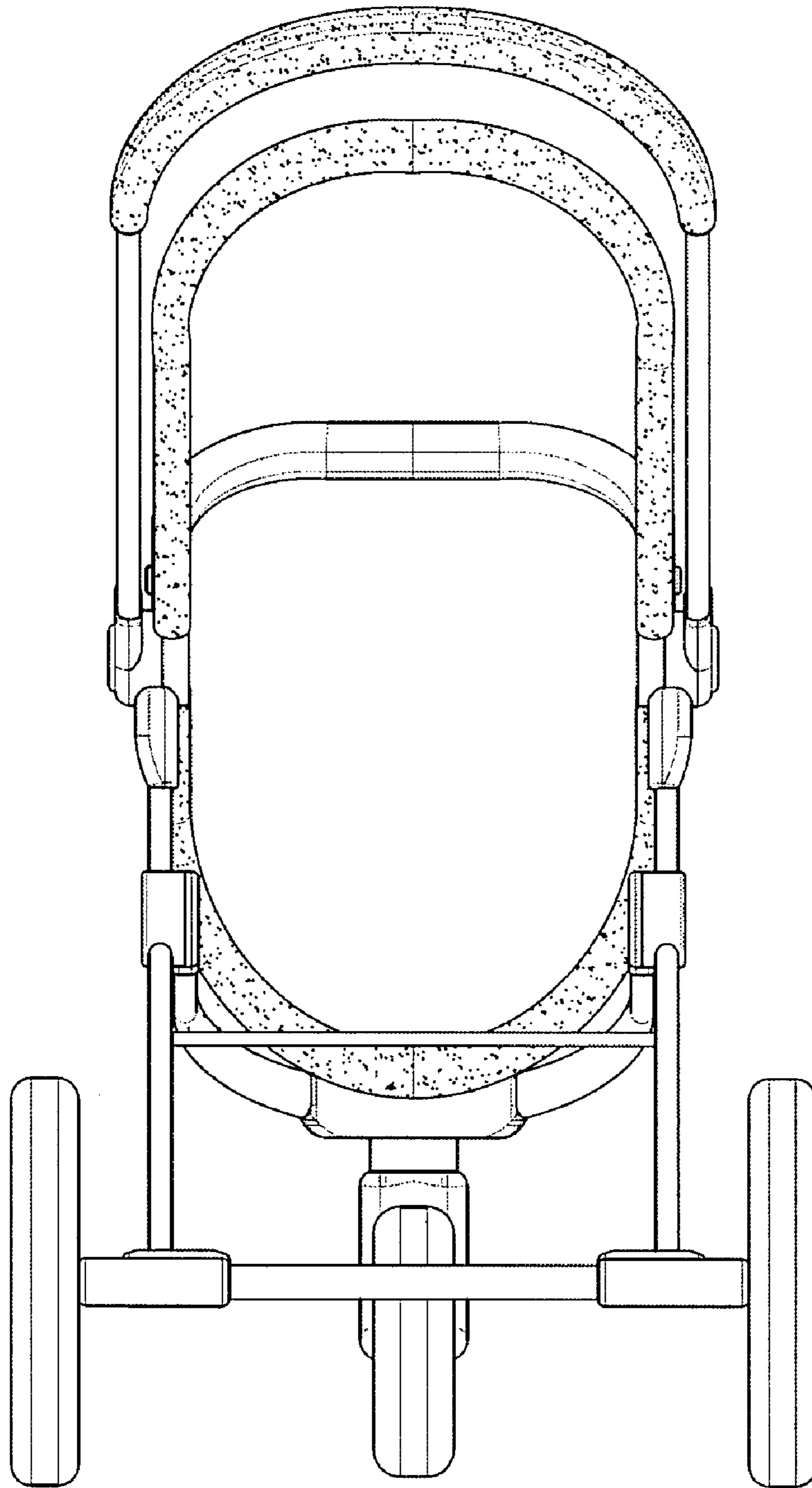


FIG. 3

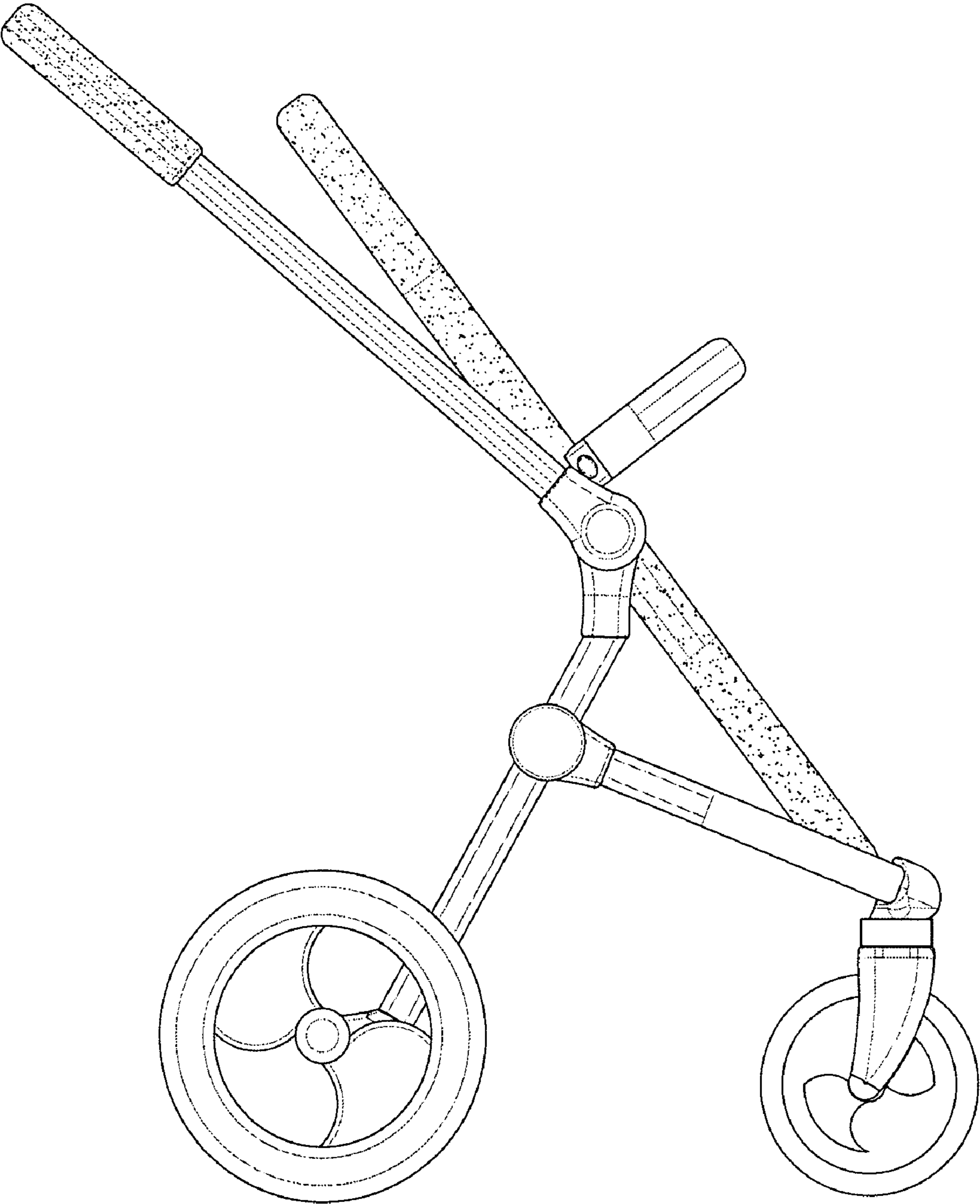


FIG. 4

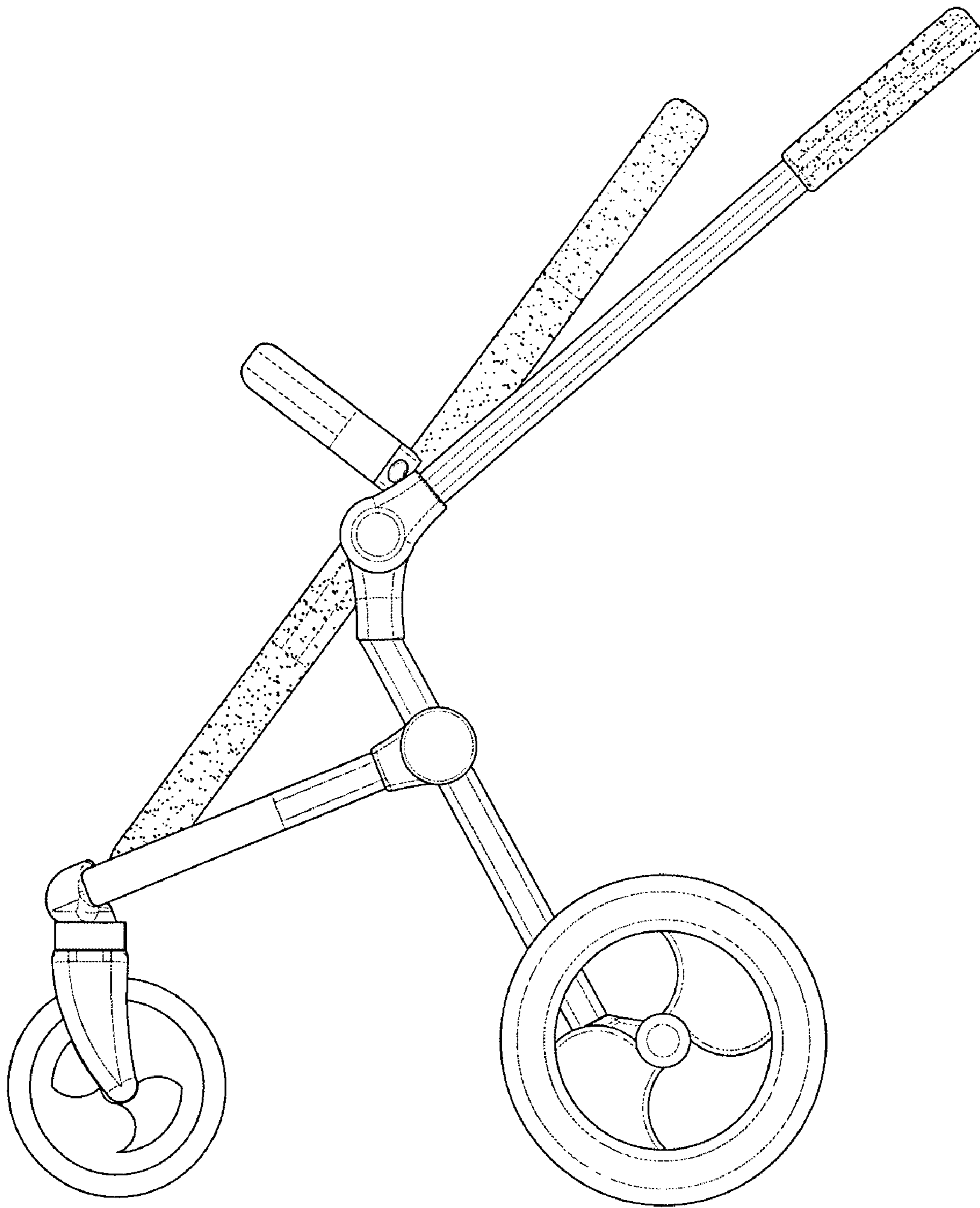


FIG. 5

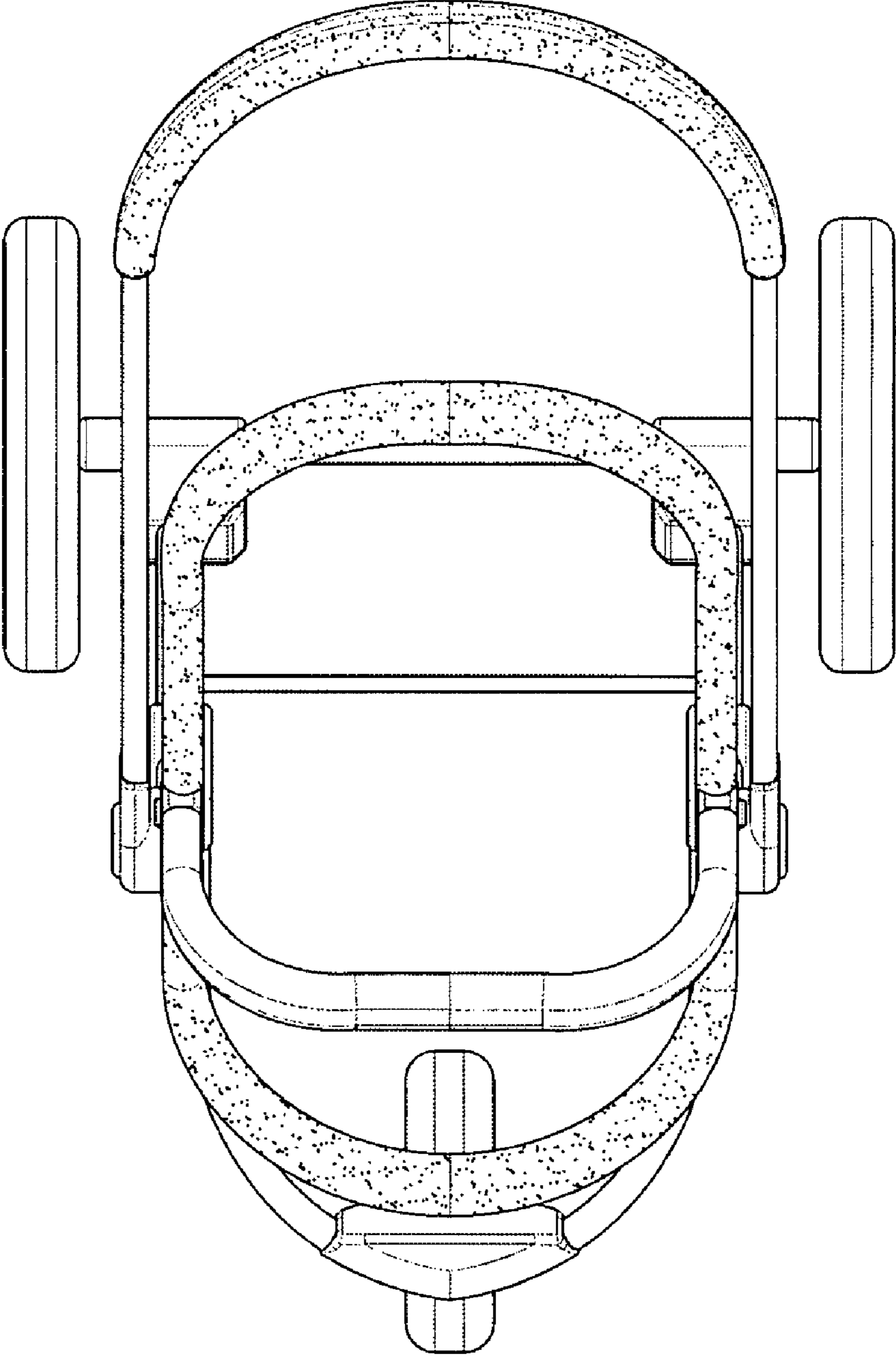


FIG. 6

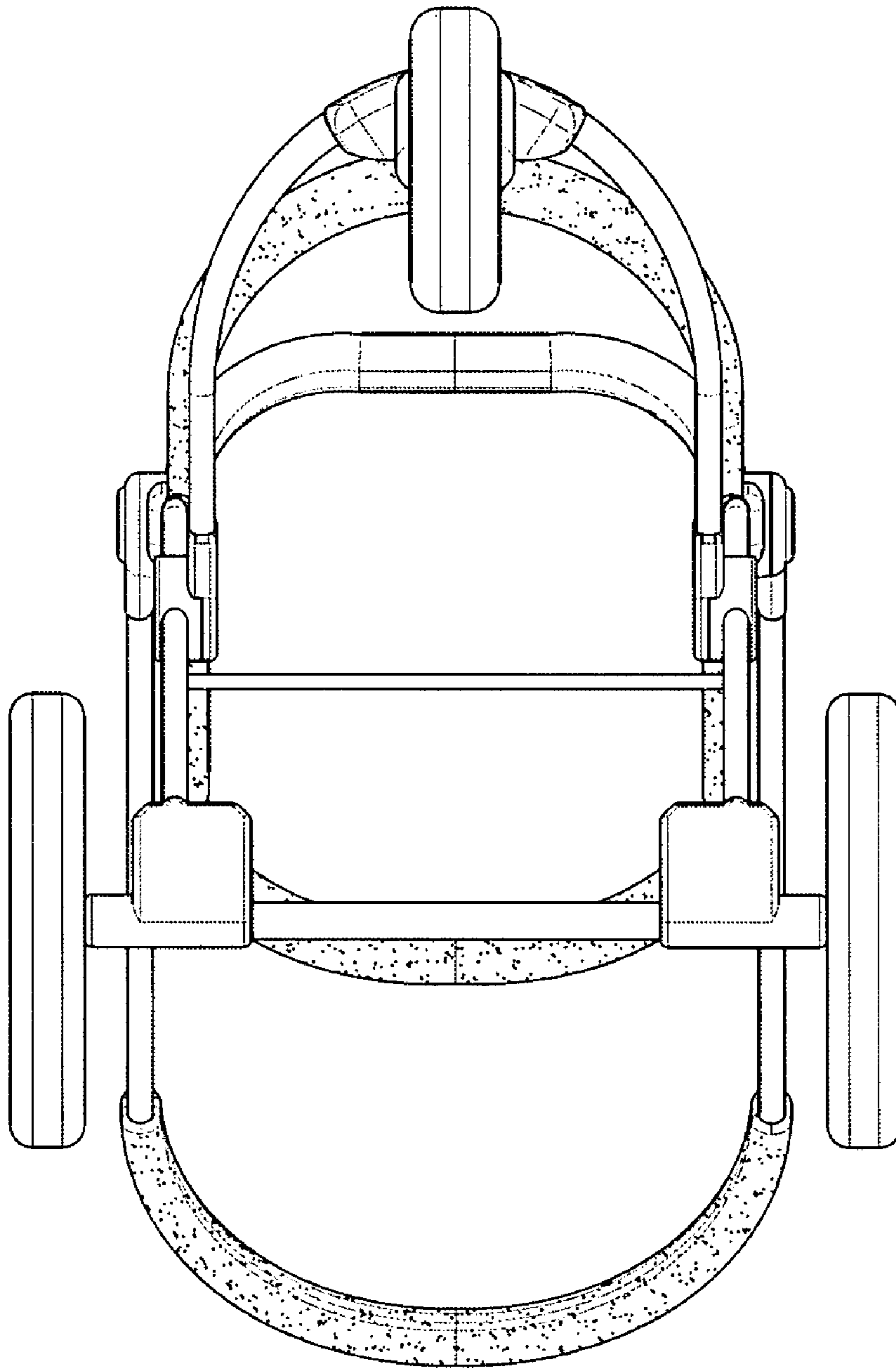


FIG. 7

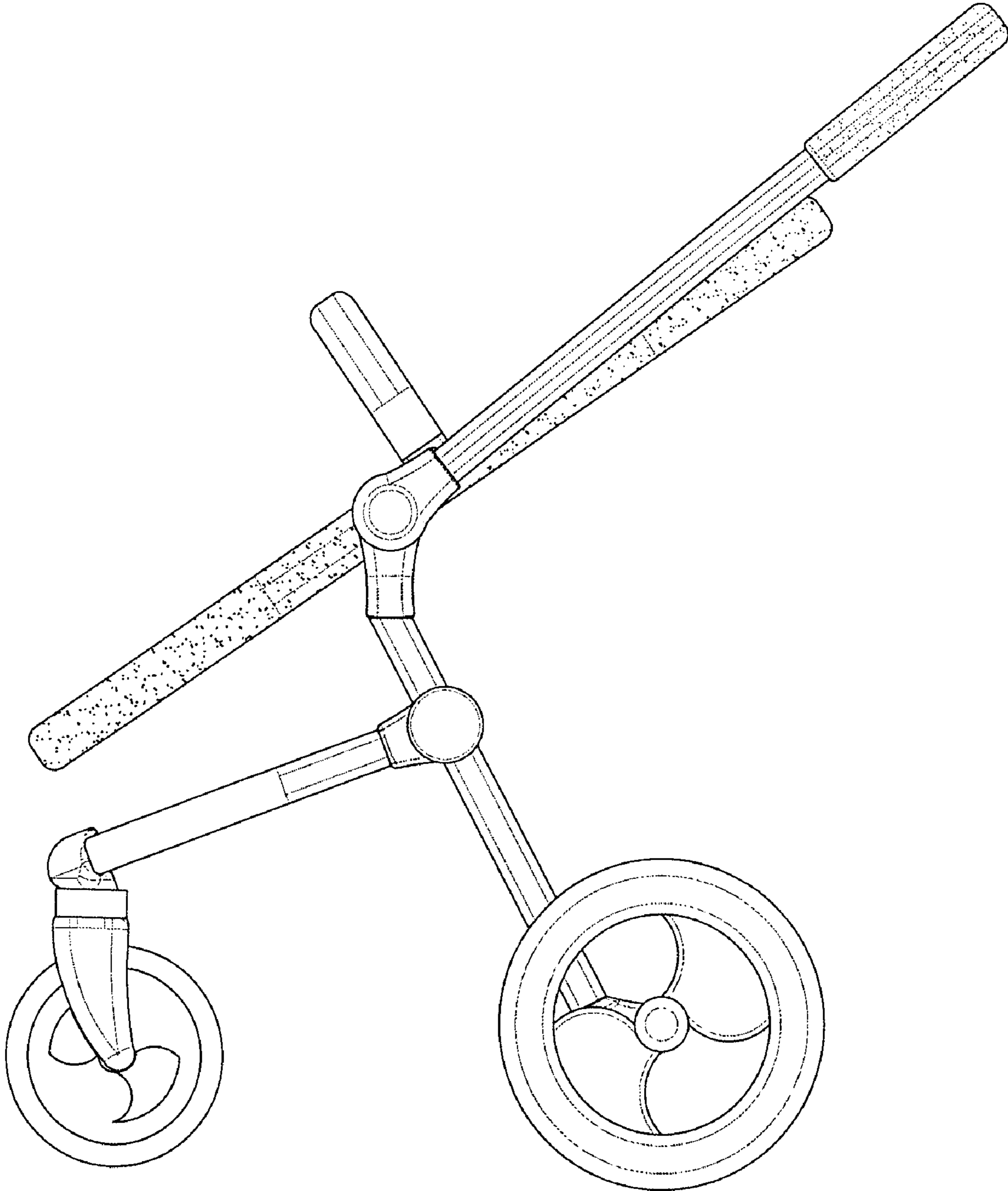


FIG. 8

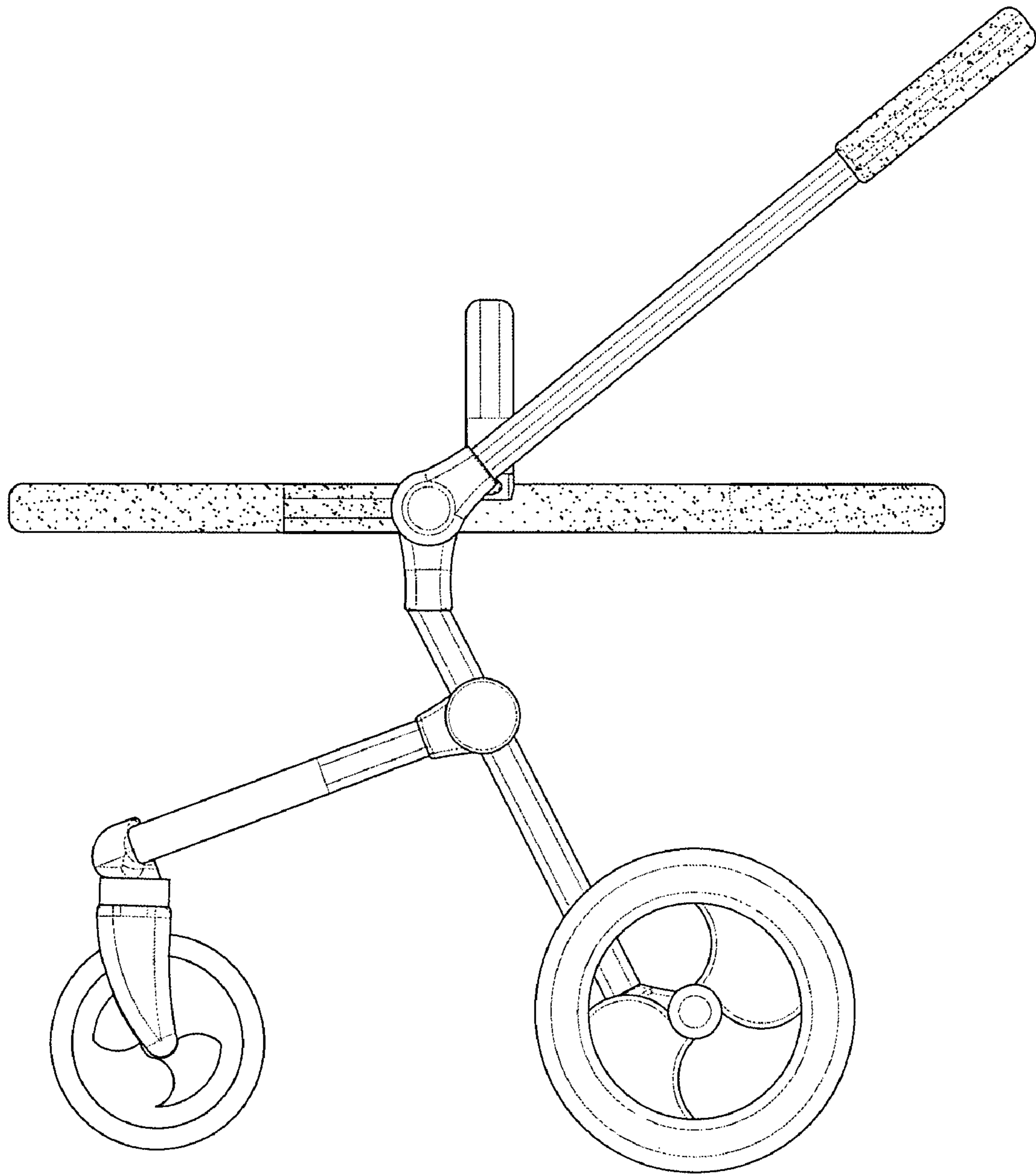


FIG. 9

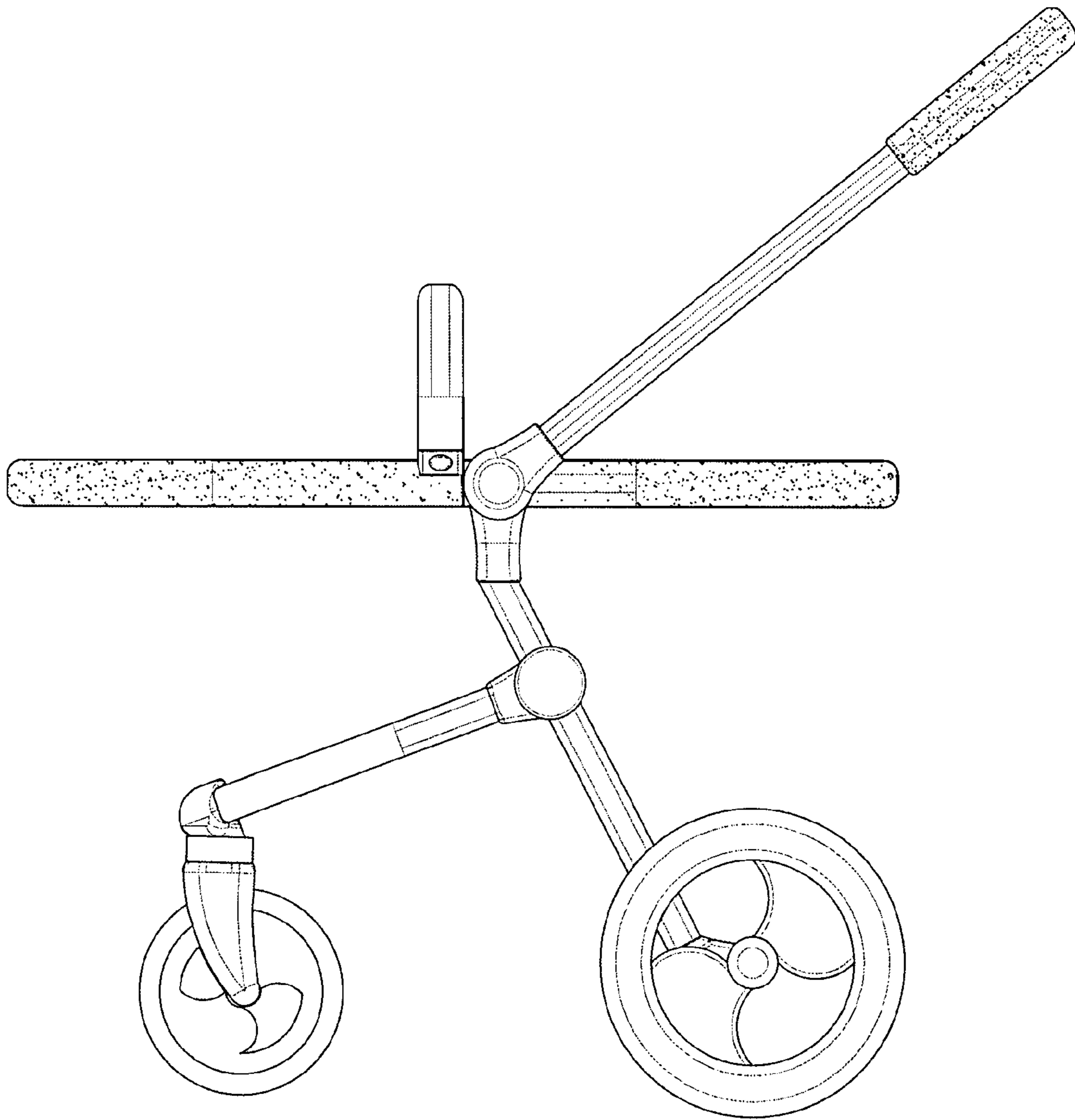


FIG. 10

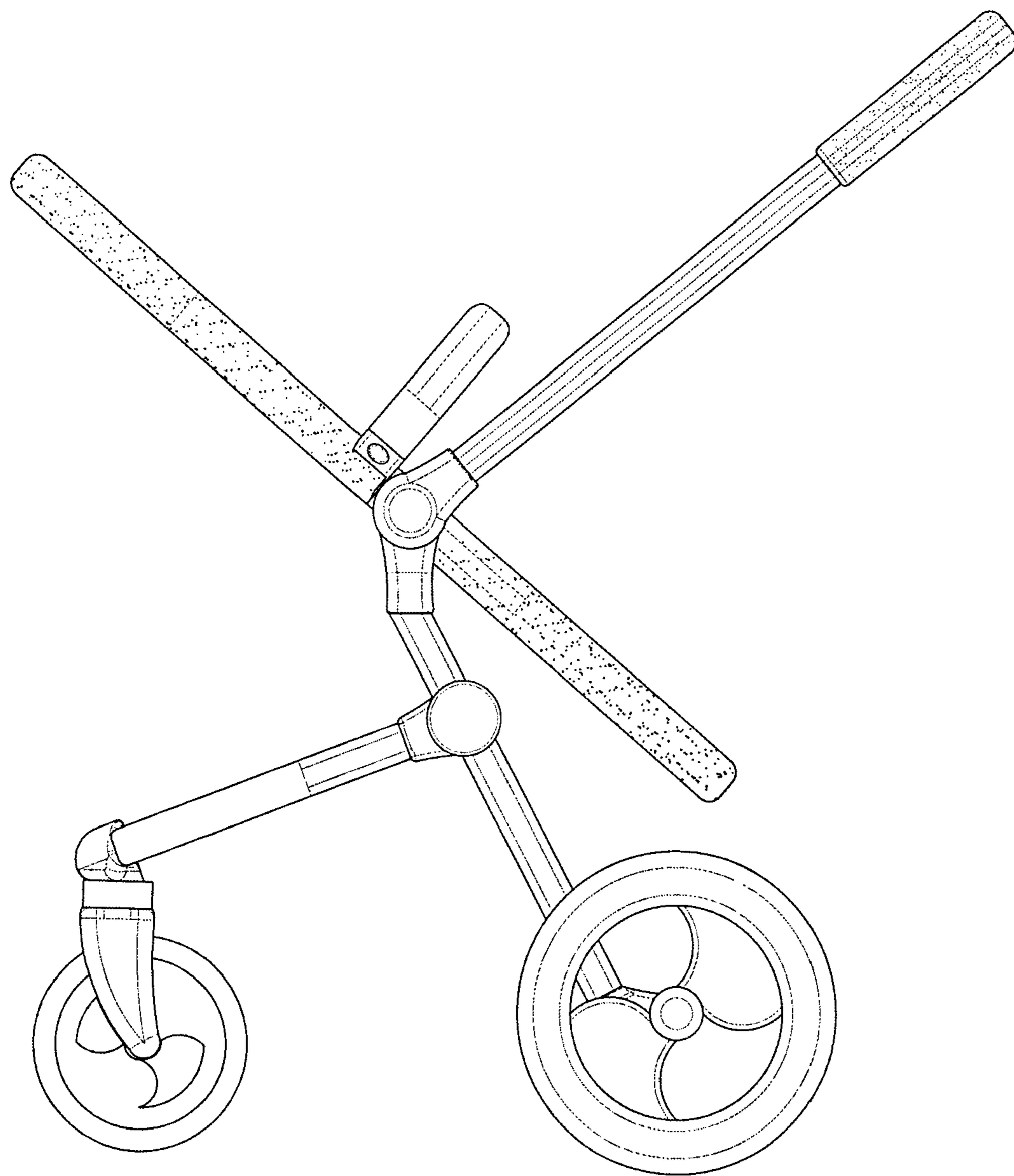


FIG. 11