



US00D578934S

(12) **United States Design Patent**
Tanaka et al.

(10) **Patent No.:** **US D578,934 S**
(45) **Date of Patent:** **** Oct. 21, 2008**

(54) **TRUCK**

(75) Inventors: **Shunji Tanaka**, Kobe (JP); **Toshiya Furuta**, Kobe (JP); **Kiyoto Hiwada**, Kobe (JP)

(73) Assignee: **Kawasaki Jukogyo Kabushiki Kaisha**, Kobe-shi (JP)

(**) Term: **14 Years**

(21) Appl. No.: **29/273,308**

(22) Filed: **Mar. 1, 2007**

(30) **Foreign Application Priority Data**

Sep. 6, 2006 (JP) 2006-023822

(51) **LOC (8) Cl.** **12-13**

(52) **U.S. Cl.** **D12/14**

(58) **Field of Classification Search** D12/87,
D12/86, 1, 433, 15, 16, 107, 82, 88, 89, 90,
D12/91, 92, 93; D15/30; D21/803; 180/233,
180/908; 280/DIG. 5, 183, 184, 185, 186,
280/28, 37.7

See application file for complete search history.

(56) **References Cited**

U.S. PATENT DOCUMENTS

D497,324 S * 10/2004 Chestnut et al. D12/1
D498,435 S * 11/2004 Saito et al. D12/1
D503,905 S * 4/2005 Saito et al. D12/1

D504,638 S * 5/2005 Tanaka et al. D12/14
D511,317 S * 11/2005 Tanaka et al. D12/1
D555,036 S * 11/2007 Eck D12/87
2005/0173177 A1 * 8/2005 Smith et al. 180/233
2007/0231101 A1 * 10/2007 Kobayashi et al. 410/106
2007/0236037 A1 * 10/2007 Kobayashi et al. 296/37.8

* cited by examiner

Primary Examiner—Robert M. Spear

Assistant Examiner—Ania K Dworzecka

(74) *Attorney, Agent, or Firm*—Alleman Hall McCoy Russell & Tuttle LLP

(57) **CLAIM**

The ornamental design for a truck, as shown and described.

DESCRIPTION

FIG. 1 is a right side view of truck, according to the invention.

FIG. 2 is a left side view of the truck of FIG. 1.

FIG. 3 is a top view of the truck of FIG. 1.

FIG. 4 is a bottom view of the truck of FIG. 1.

FIG. 5 is a front view of the truck of FIG. 1.

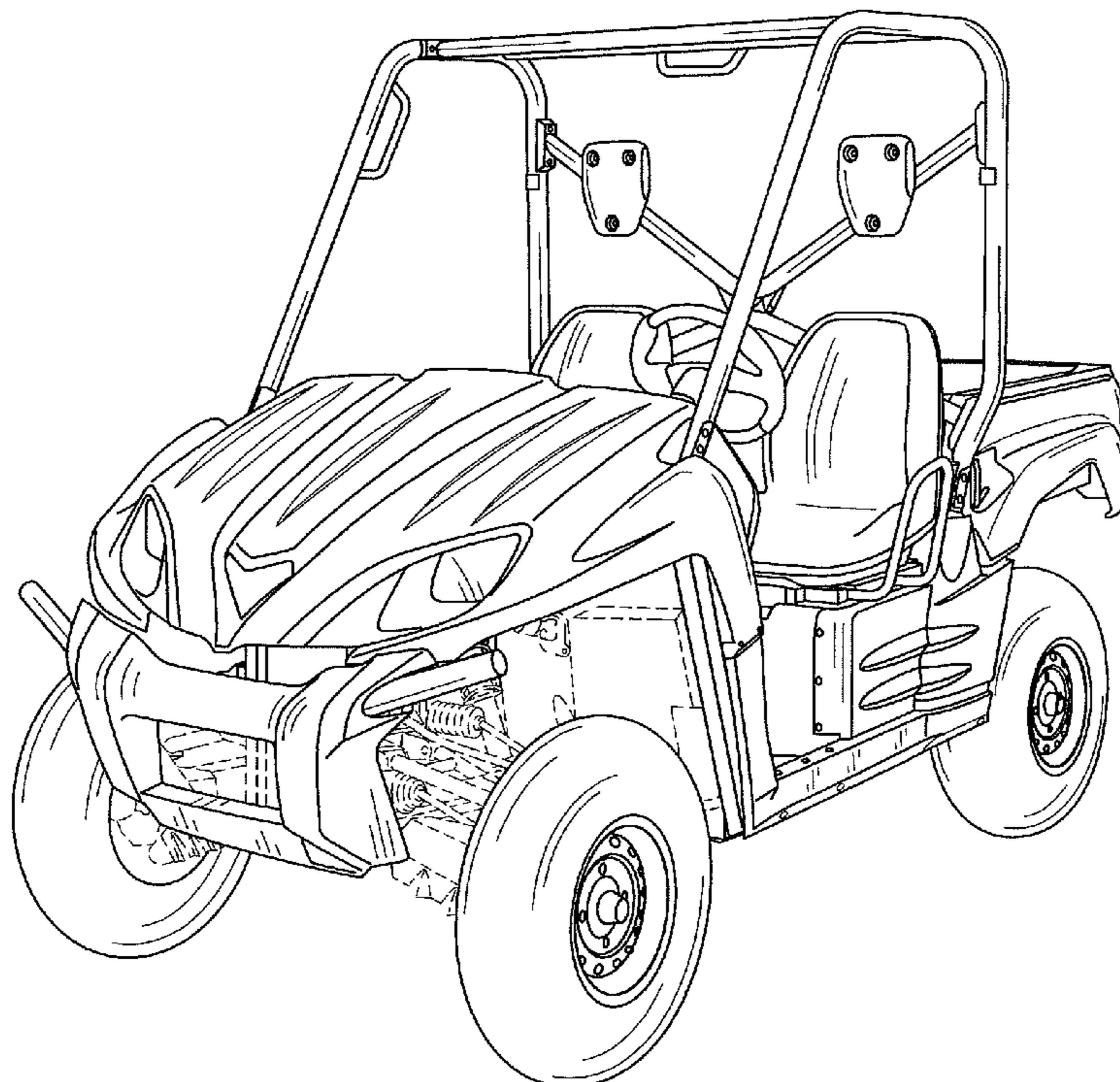
FIG. 6 is a rear view of the truck of FIG. 1.

FIG. 7 is a front perspective view of the truck of FIG. 1; and,

FIG. 8 is a rear perspective view of the truck of FIG. 1.

In the drawings, the broken lines depict environmental subject matter only and form no part of the claimed design.

1 Claim, 8 Drawing Sheets



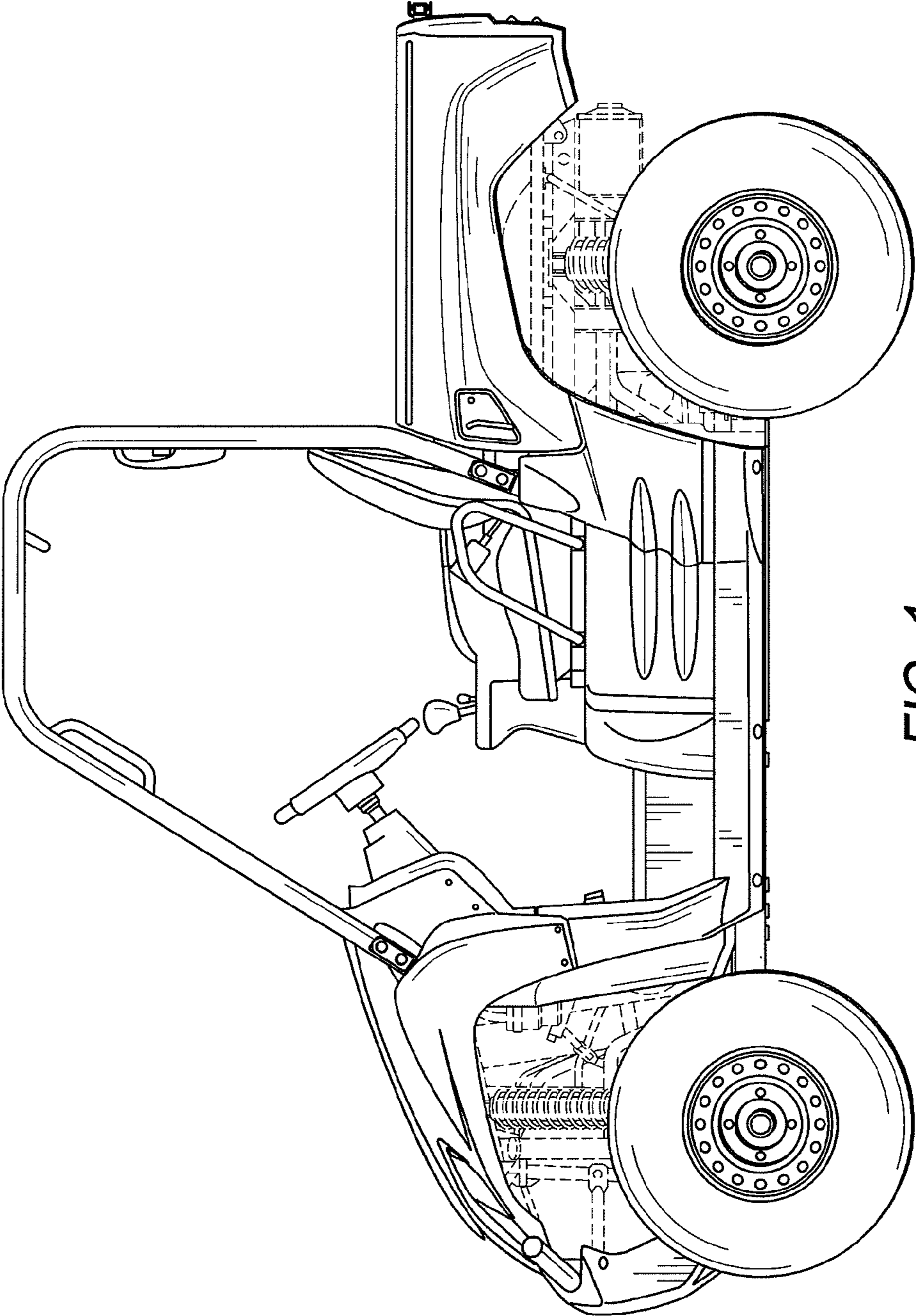


FIG. 1

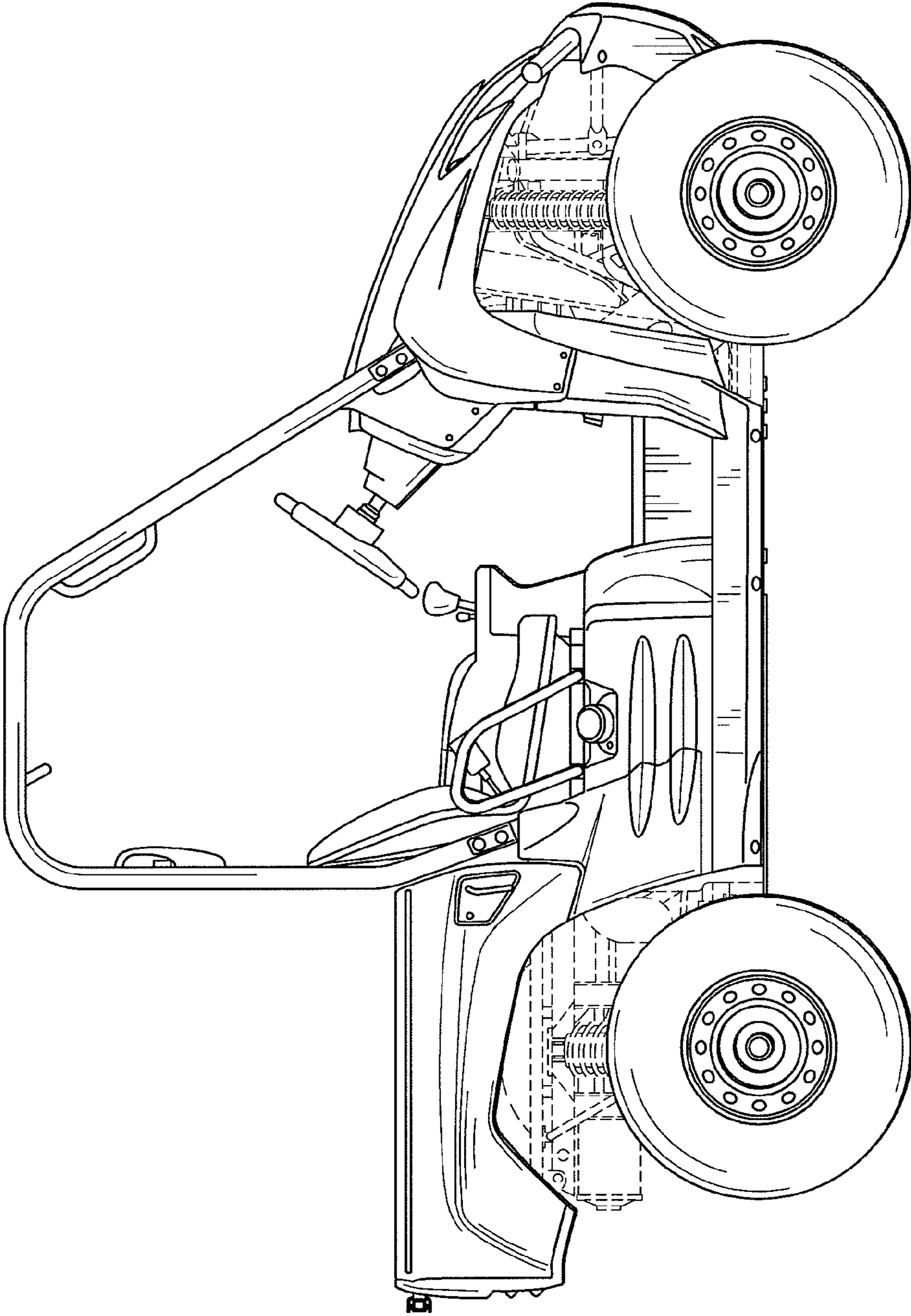


FIG. 2

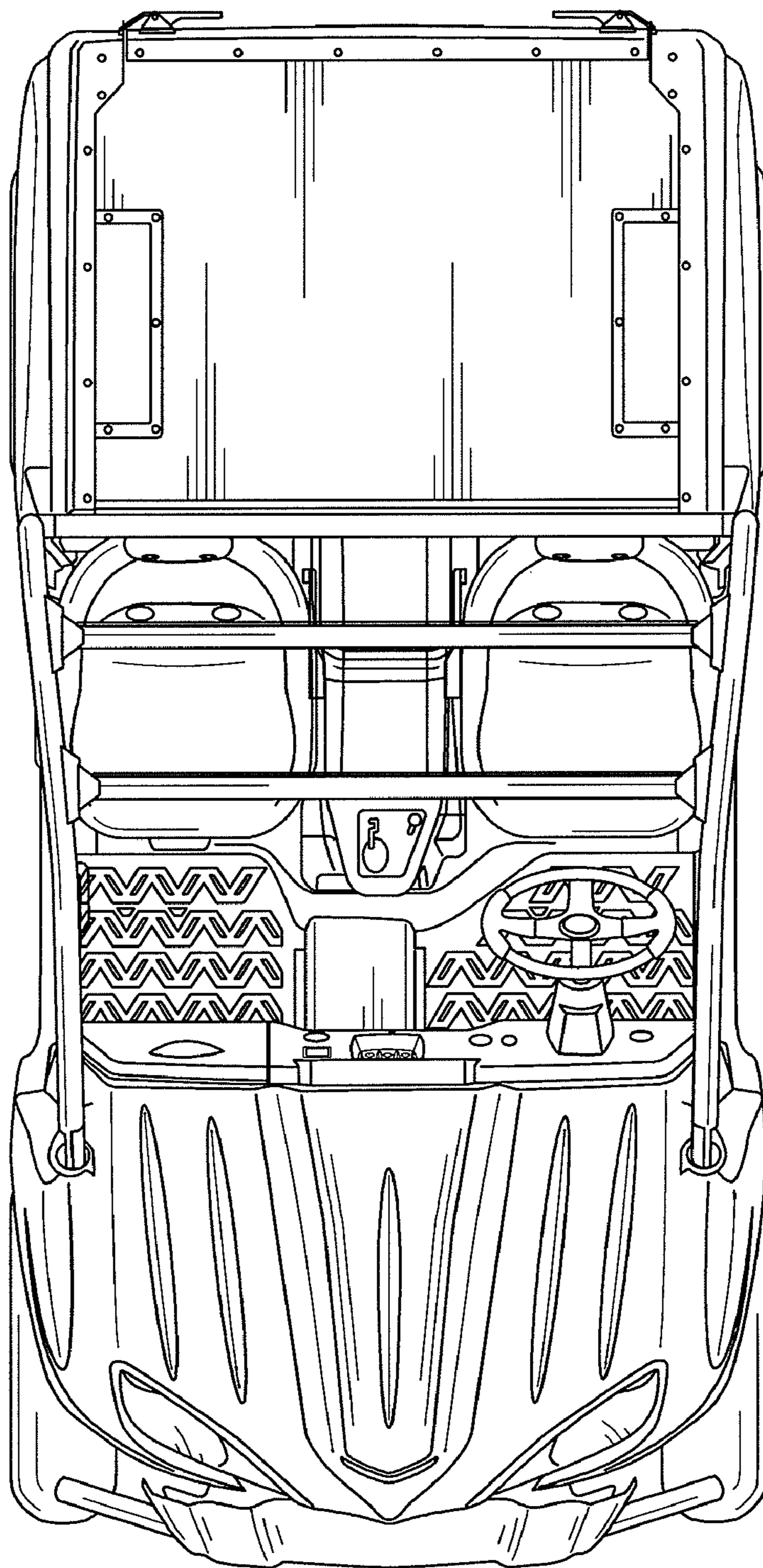


FIG. 3

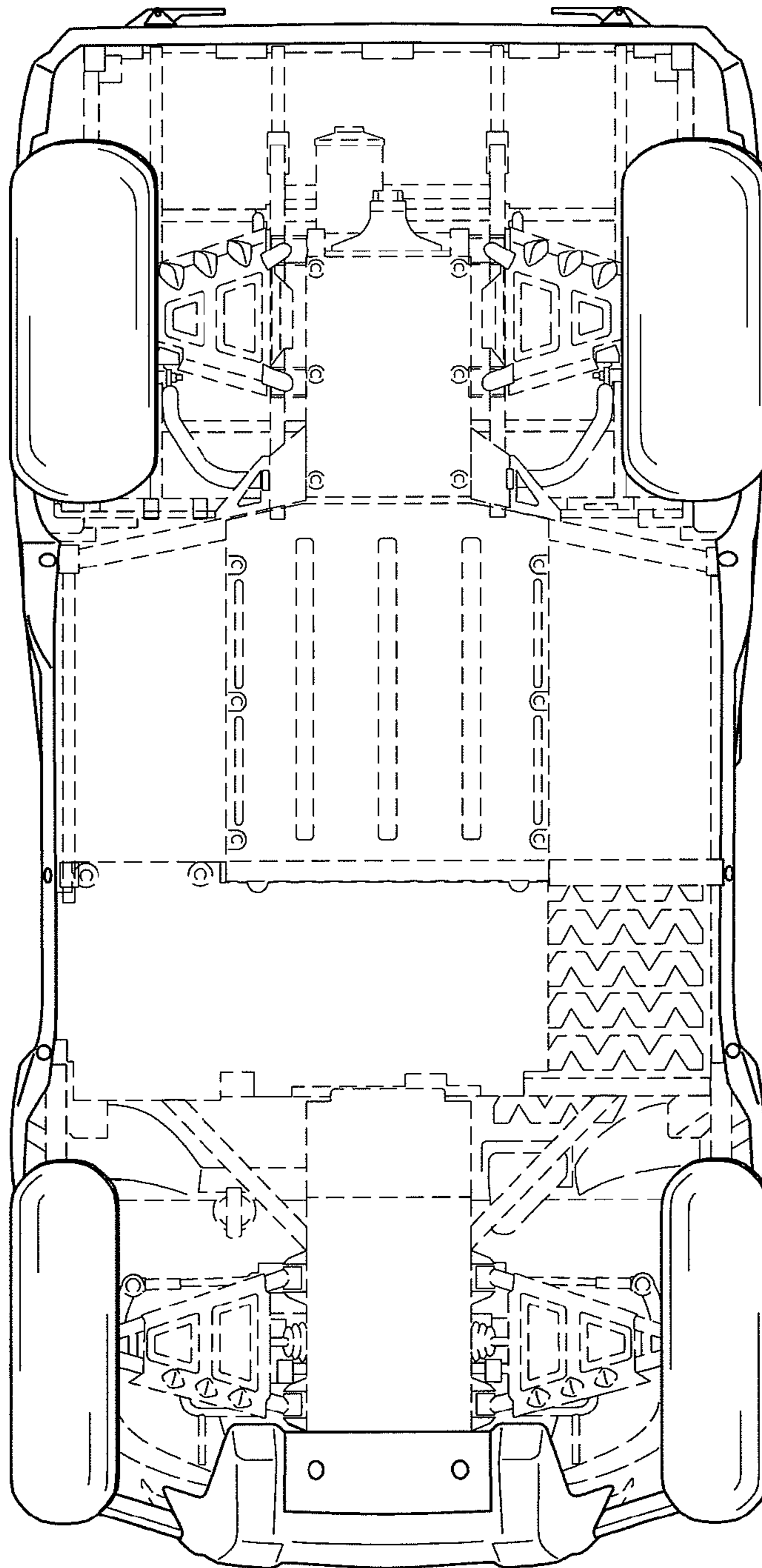


FIG. 4

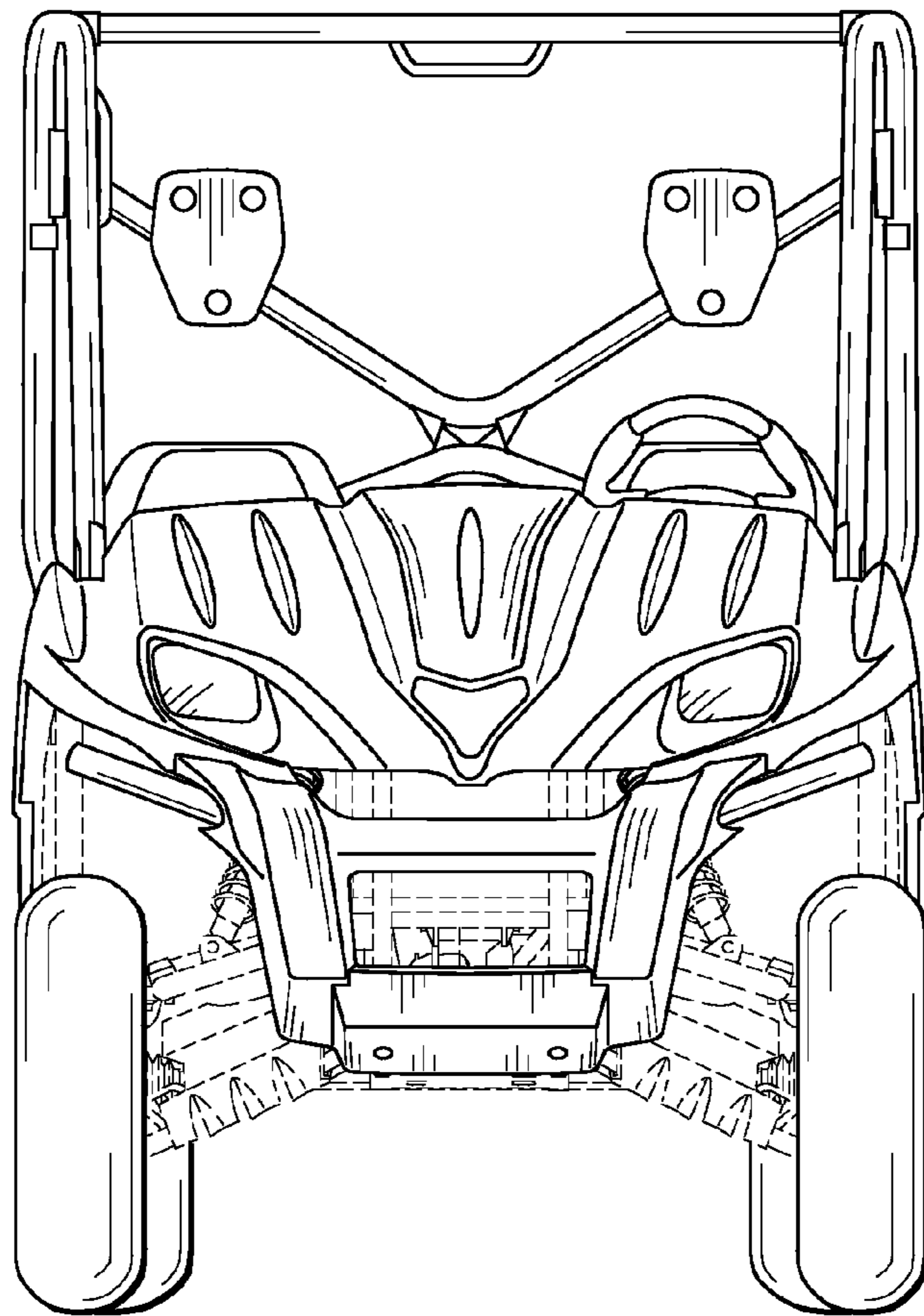


FIG. 5

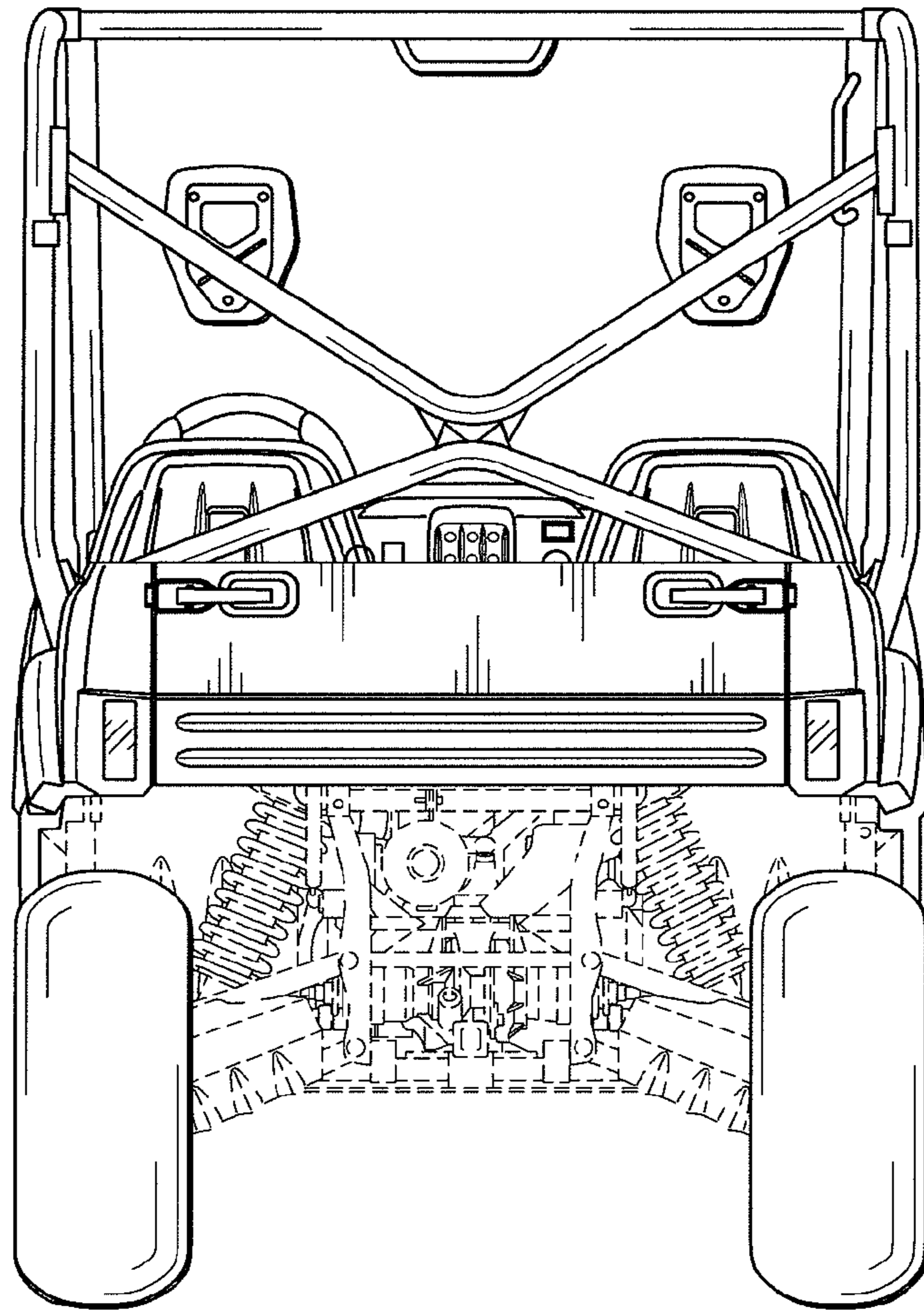


FIG. 6

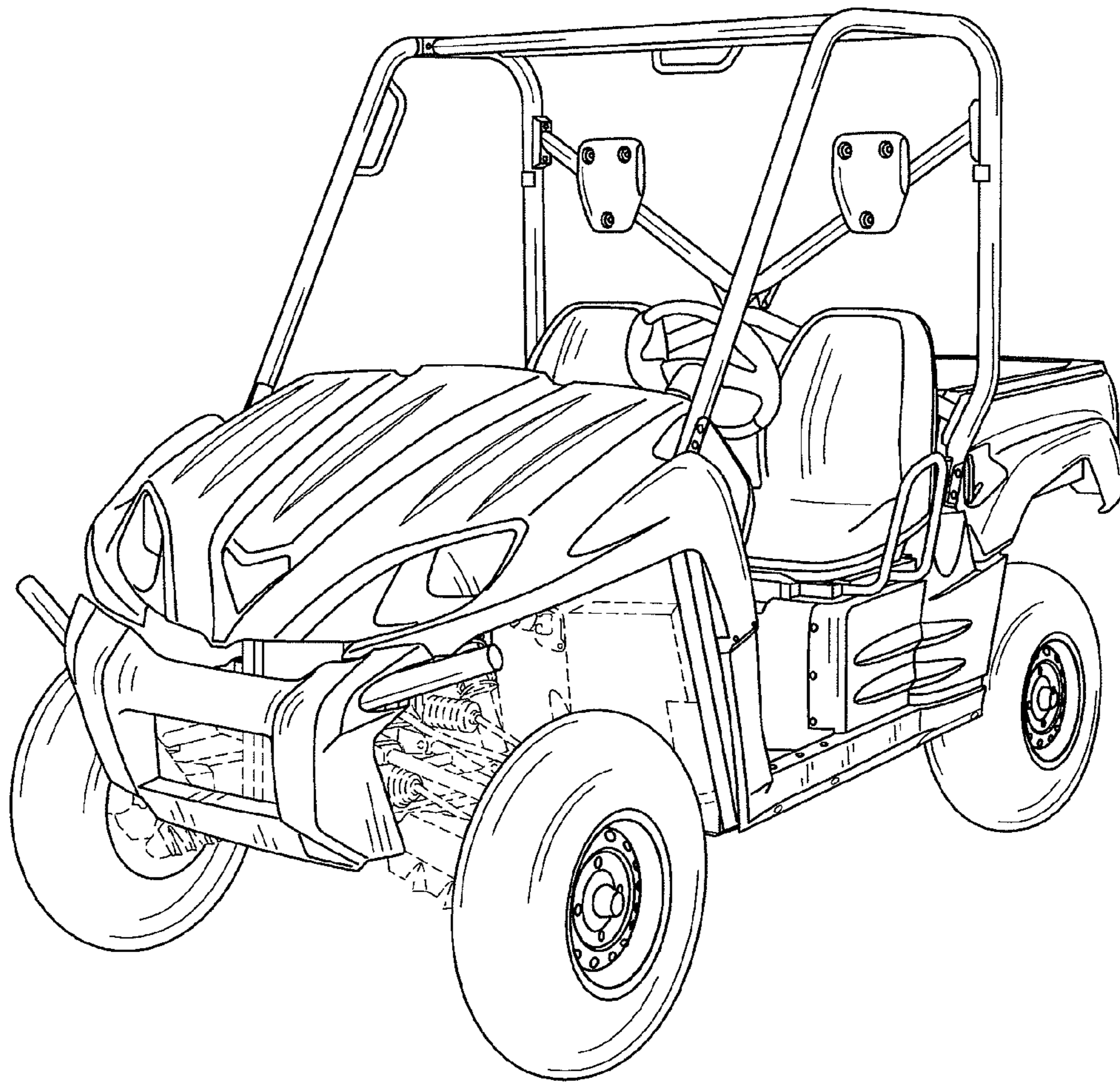


FIG. 7

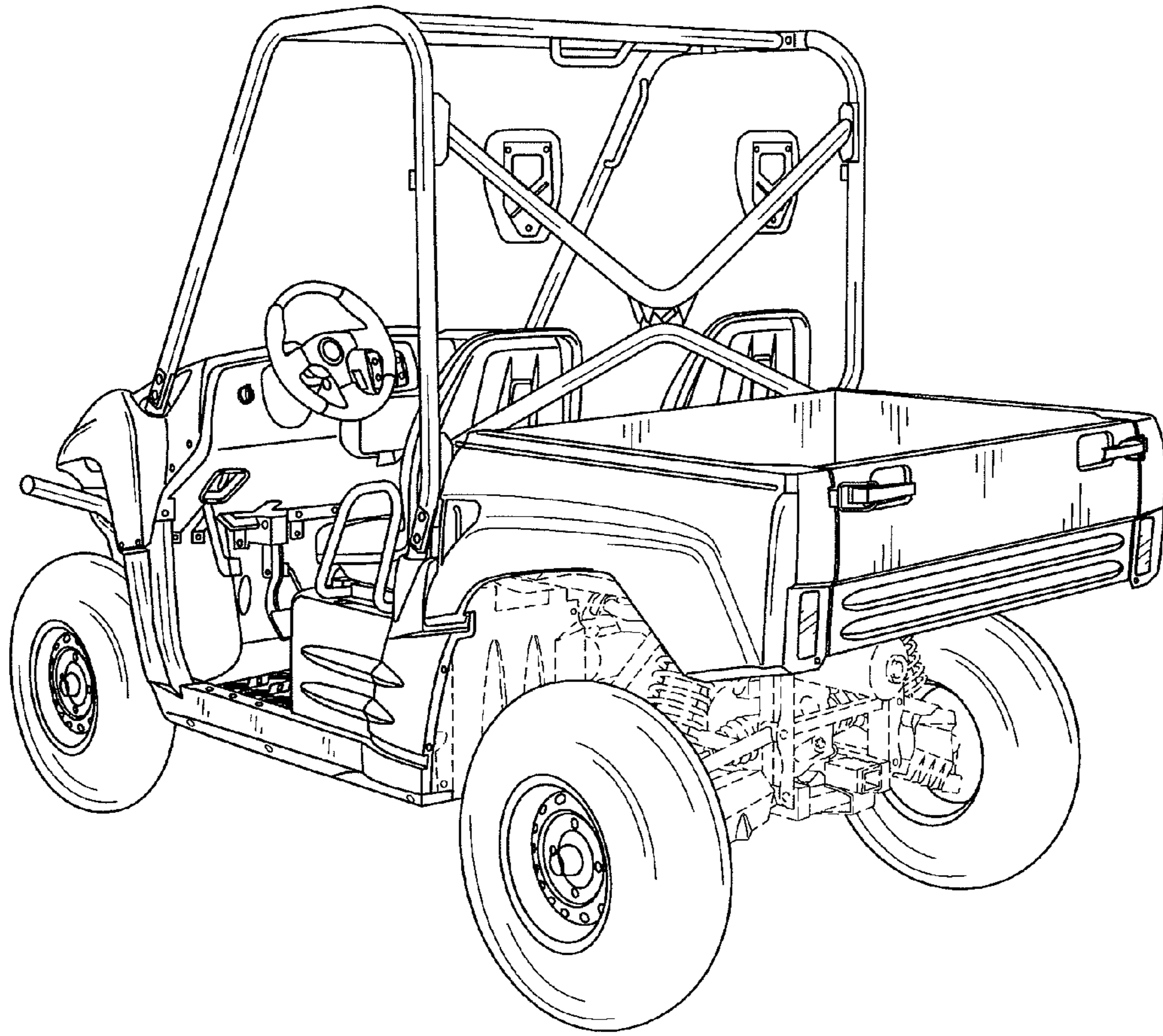


FIG. 8