



US00D578933S

(12) **United States Design Patent**  
**Brown**

(10) **Patent No.:** **US D578,933 S**

(45) **Date of Patent:** **\*\* Oct. 21, 2008**

(54) **BELT BUCKLE**

(75) Inventor: **Victoria Brown**, New York, NY (US)

(73) Assignee: **Retail Royalty Company**, Las Vegas, NV (US)

(\*\*) Term: **14 Years**

(21) Appl. No.: **29/304,010**

(22) Filed: **Feb. 22, 2008**

(51) **LOC (8) Cl.** ..... **02-07**

(52) **U.S. Cl.** ..... **D11/231**

(58) **Field of Classification Search** ..... D11/200–238;  
D2/625–633; 2/322; 24/163 R, 176–178,  
24/164, 166, 307, 616

See application file for complete search history.

(56) **References Cited**

U.S. PATENT DOCUMENTS

1,644,513	A	10/1927	Davis	
D134,306	S *	11/1942	Lipari	..... D11/231
2,528,078	A	10/1950	Quilter	
2,542,044	A	2/1951	Miller	
2,754,560	A	7/1956	Warner et al.	
2,783,516	A *	3/1957	Stein	..... 24/176
3,175,233	A	3/1965	Caravella	
D246,552	S	12/1977	Baughman	
4,069,554	A	1/1978	Minolla et al.	
4,528,700	A	7/1985	Johnston	
D348,420	S	7/1994	Edsall	
6,185,772	B1	2/2001	Bates	
D474,713	S	5/2003	Eddy	
D556,634	S *	12/2007	Koroluk	..... D11/231

\* cited by examiner

*Primary Examiner*—Catherine R Oliver

(74) *Attorney, Agent, or Firm*—Wood, Herron & Evans, L.L.P.

(57) **CLAIM**

The ornamental design for a belt buckle, as shown and described.

**DESCRIPTION**

FIG. 1 is a front elevational view of a first embodiment of my new design of a belt buckle

FIG. 2 is a rear elevational view thereof.

FIG. 3 is a right side elevational view thereof, the left side elevational view being a mirror image thereof.

FIG. 4 is a cross-sectional view taken along line 4—4 of FIG. 1 thereof.

FIG. 5 is a top plan view thereof.

FIG. 6 is a bottom plan view thereof.

FIG. 7 is a front elevational view of the second embodiment of my new design of a belt buckle.

FIG. 8 is a rear elevational view thereof.

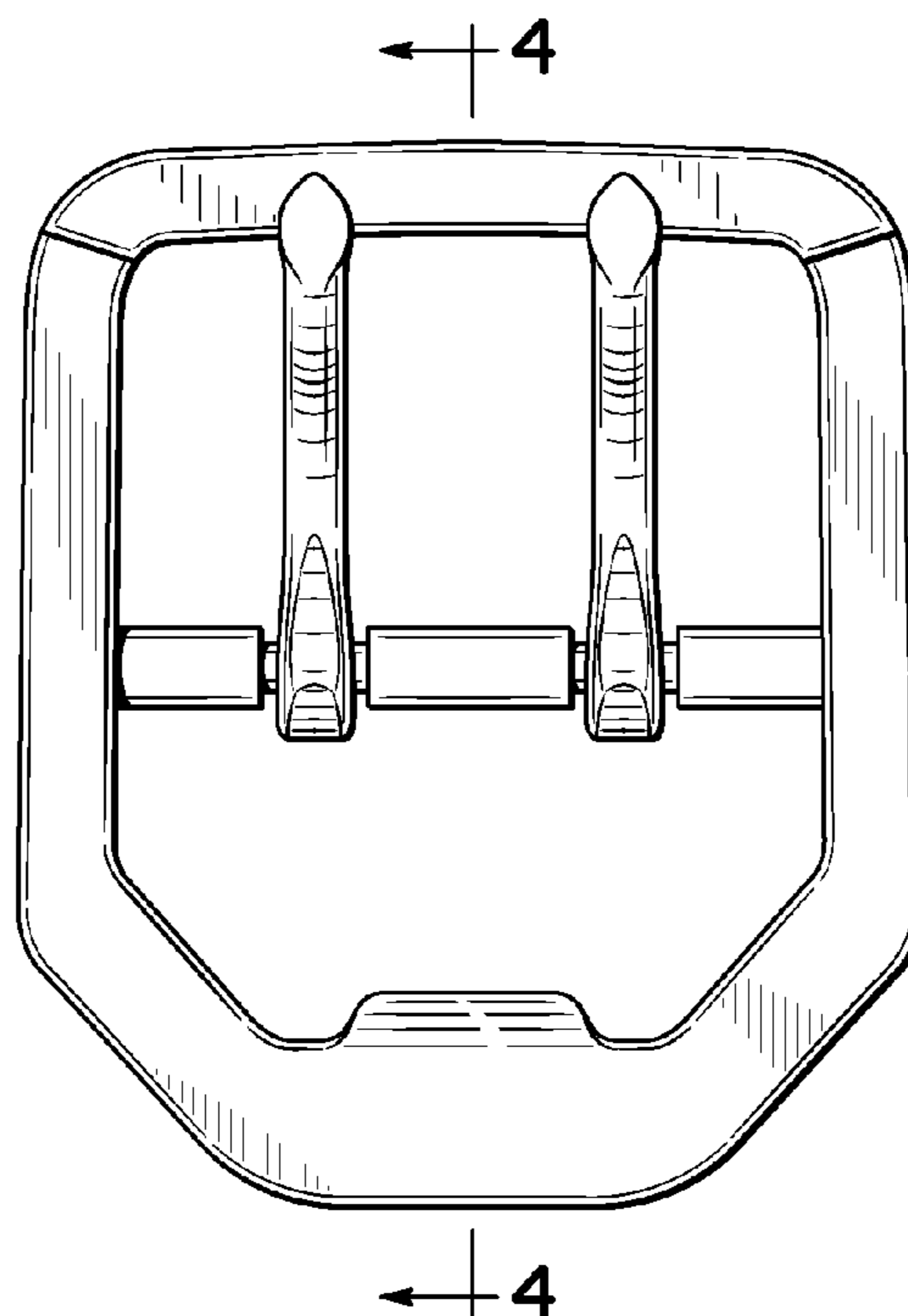
FIG. 9 is a right side elevational view thereof, the left side elevational view being a mirror image thereof.

FIG. 10 is a cross-sectional view along line 10—10 of FIG. 7.

FIG. 11 is a top plan view thereof; and,

FIG. 12 is a bottom plan view thereof.

**1 Claim, 2 Drawing Sheets**



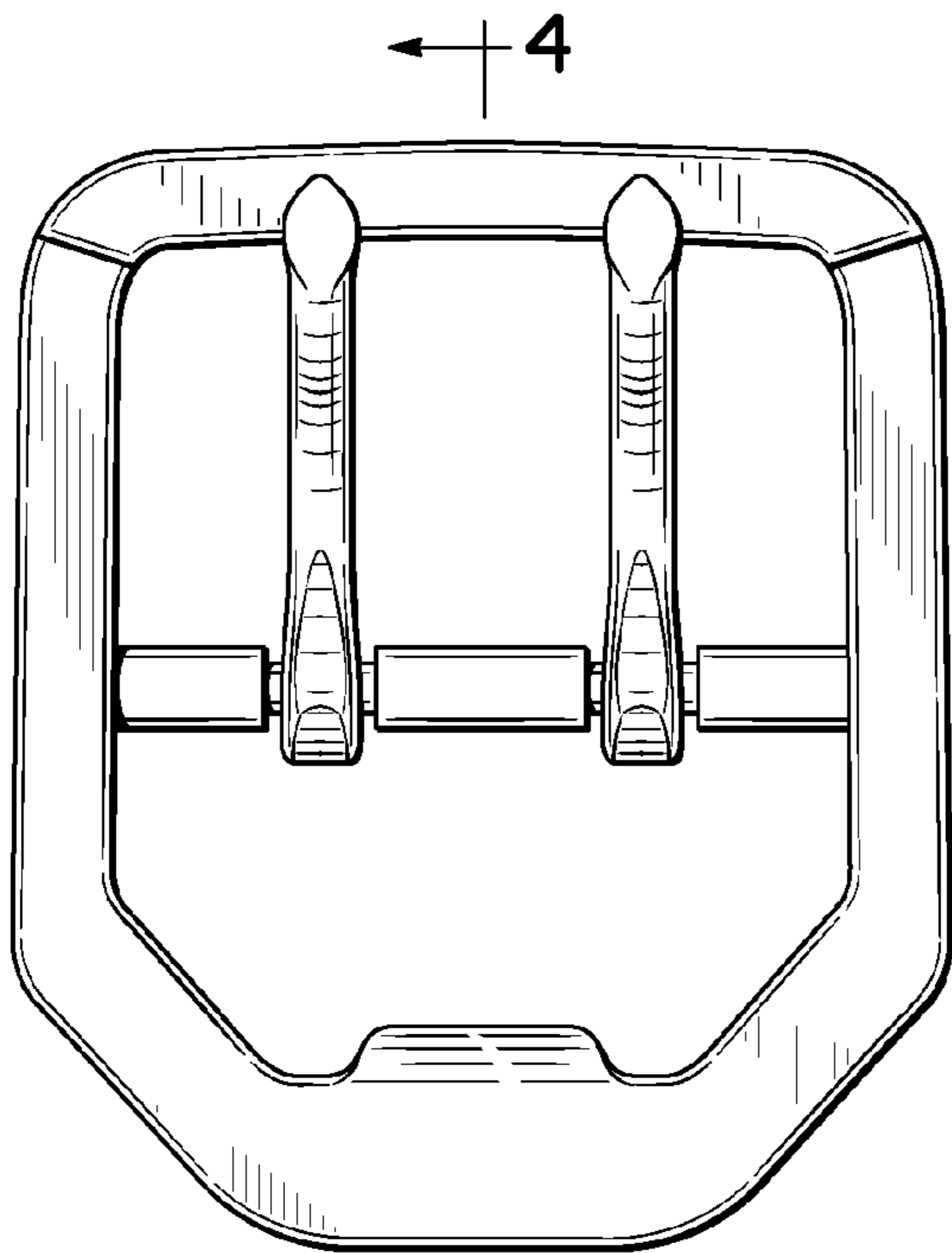


FIG. 1

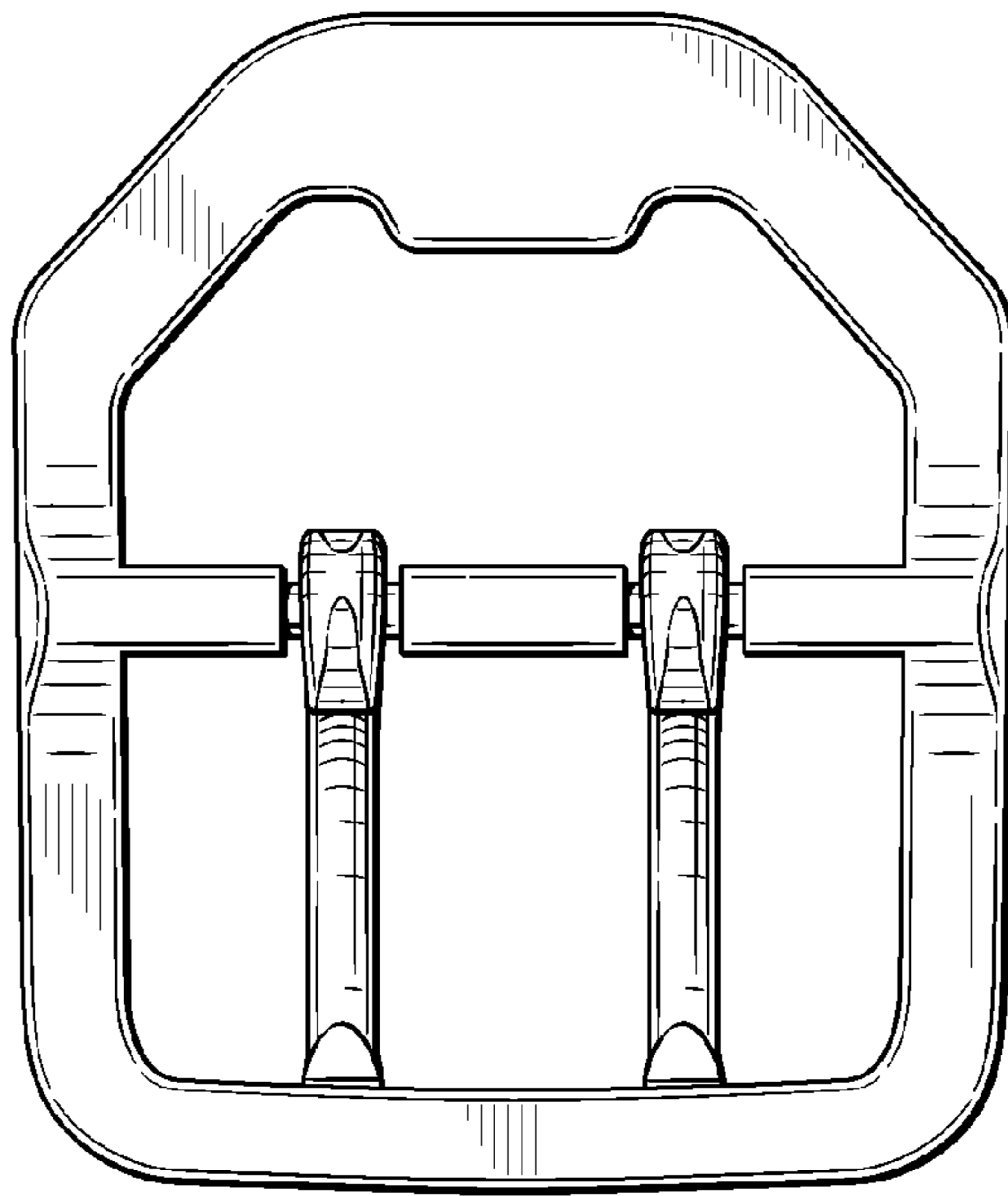


FIG. 2

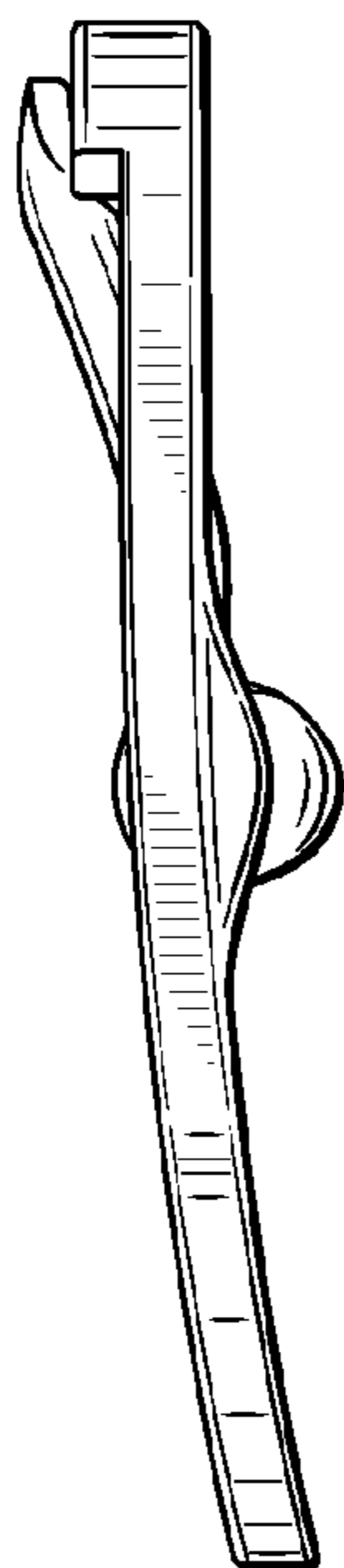


FIG. 3

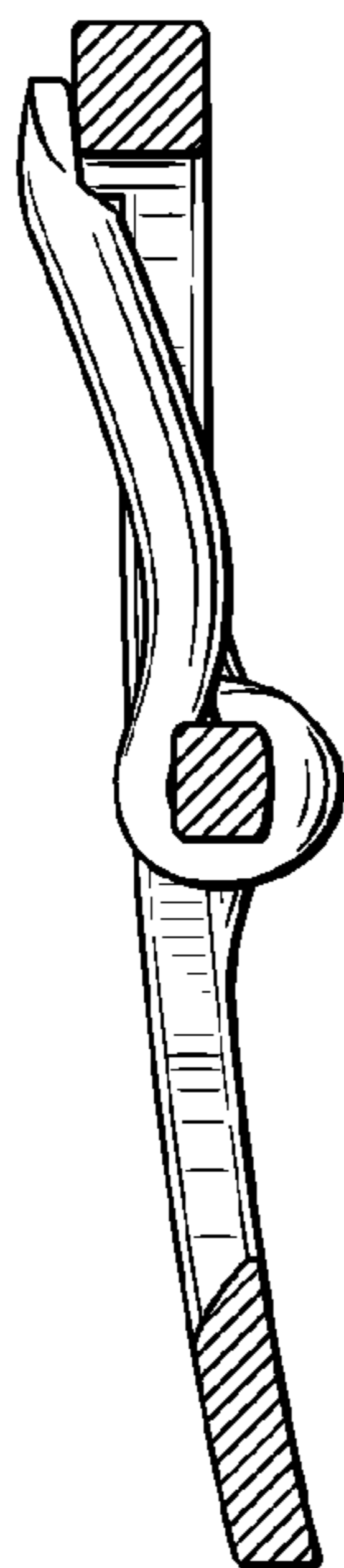


FIG. 4

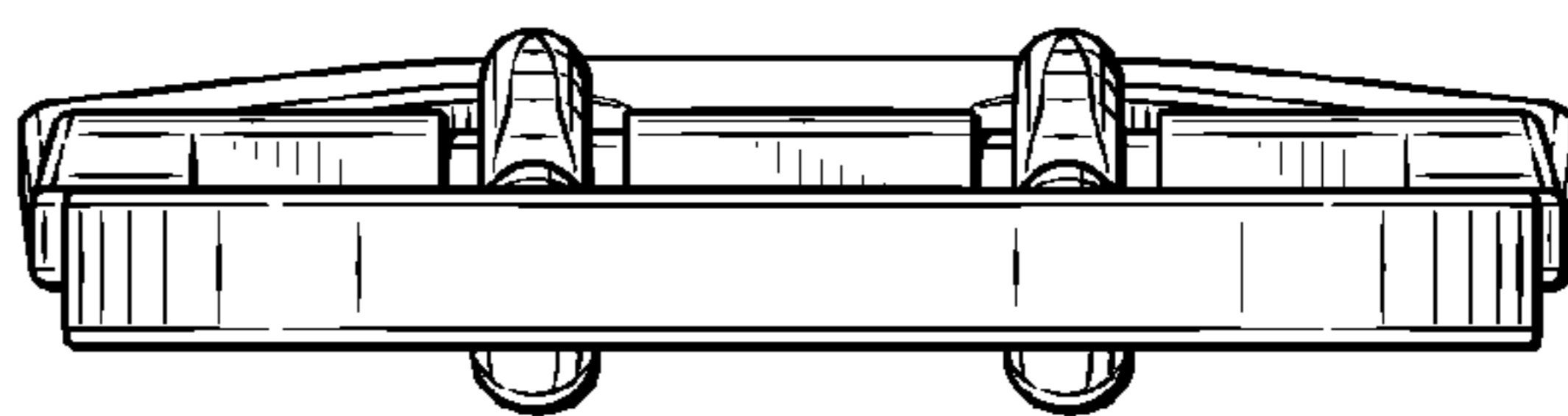


FIG. 5

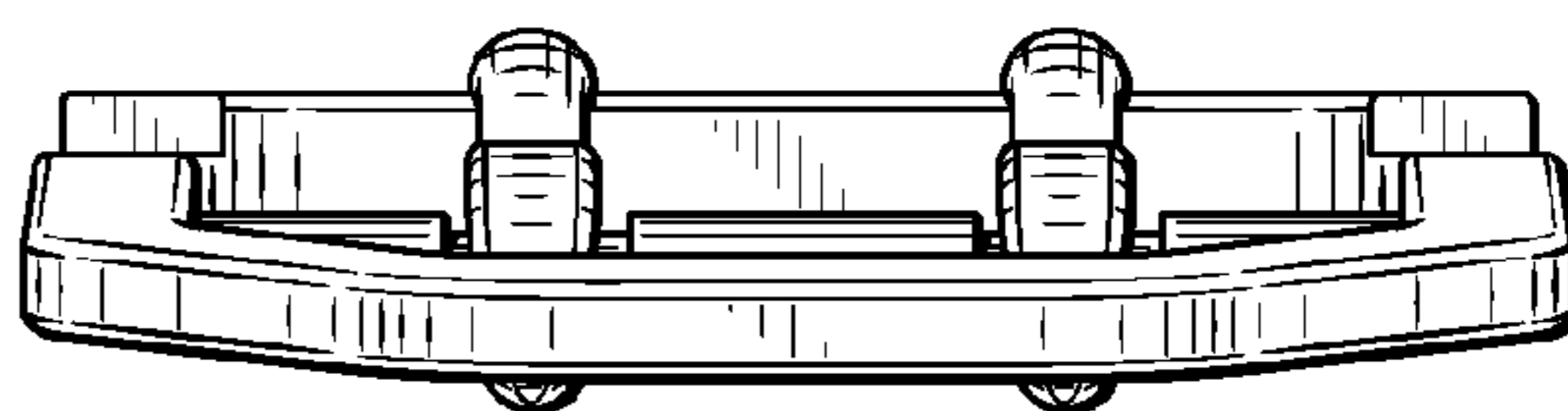


FIG. 6

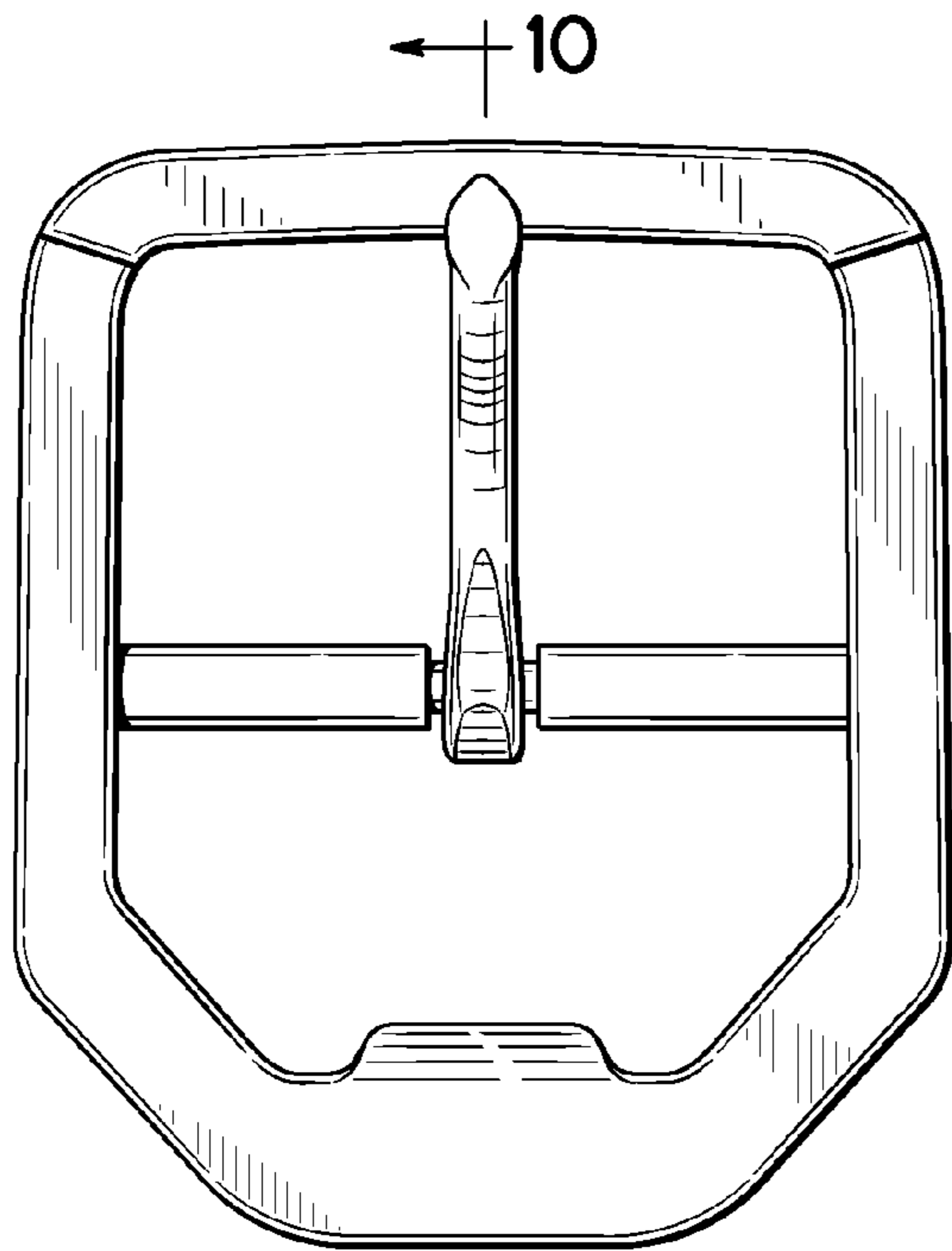


FIG. 7

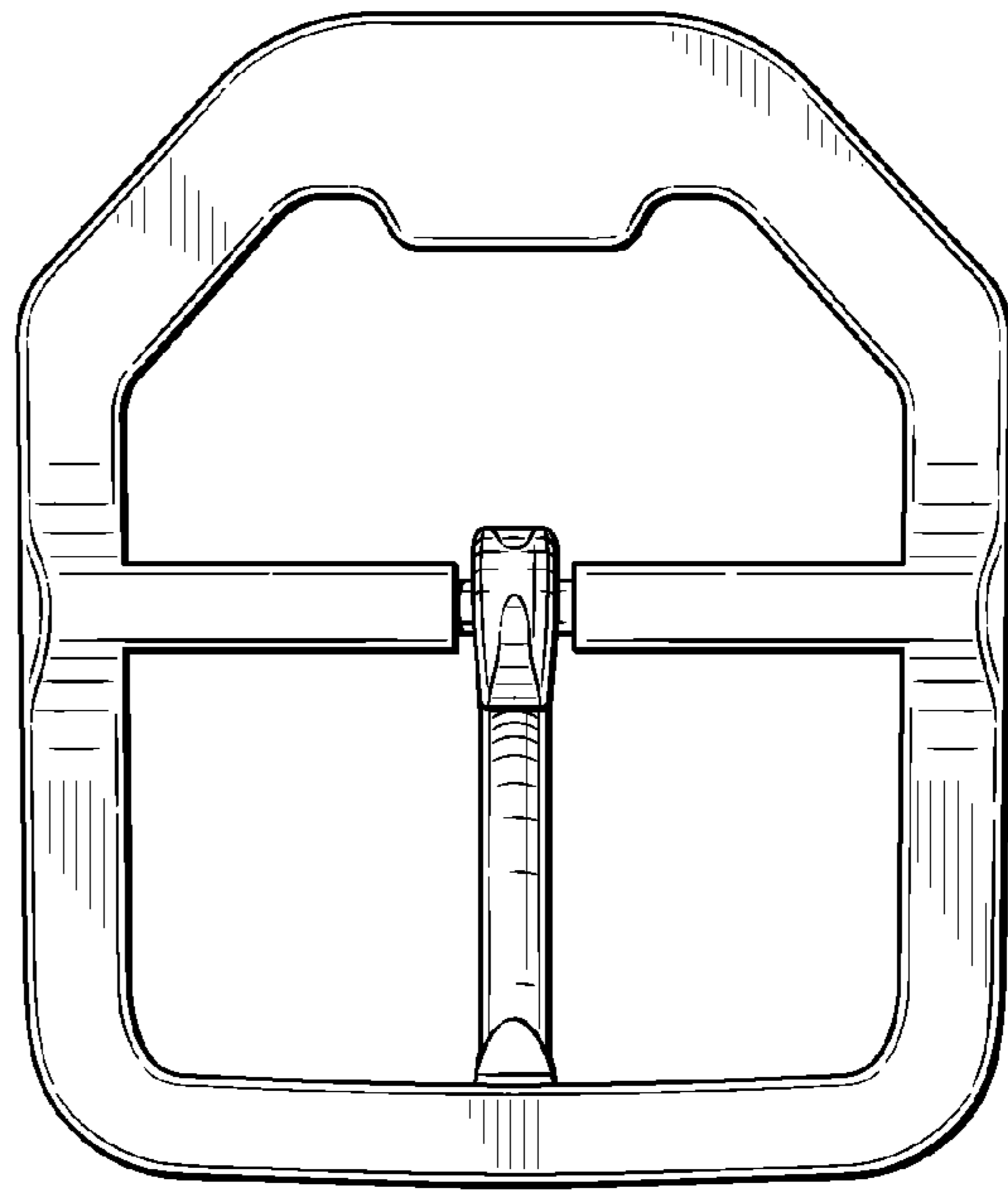


FIG. 8

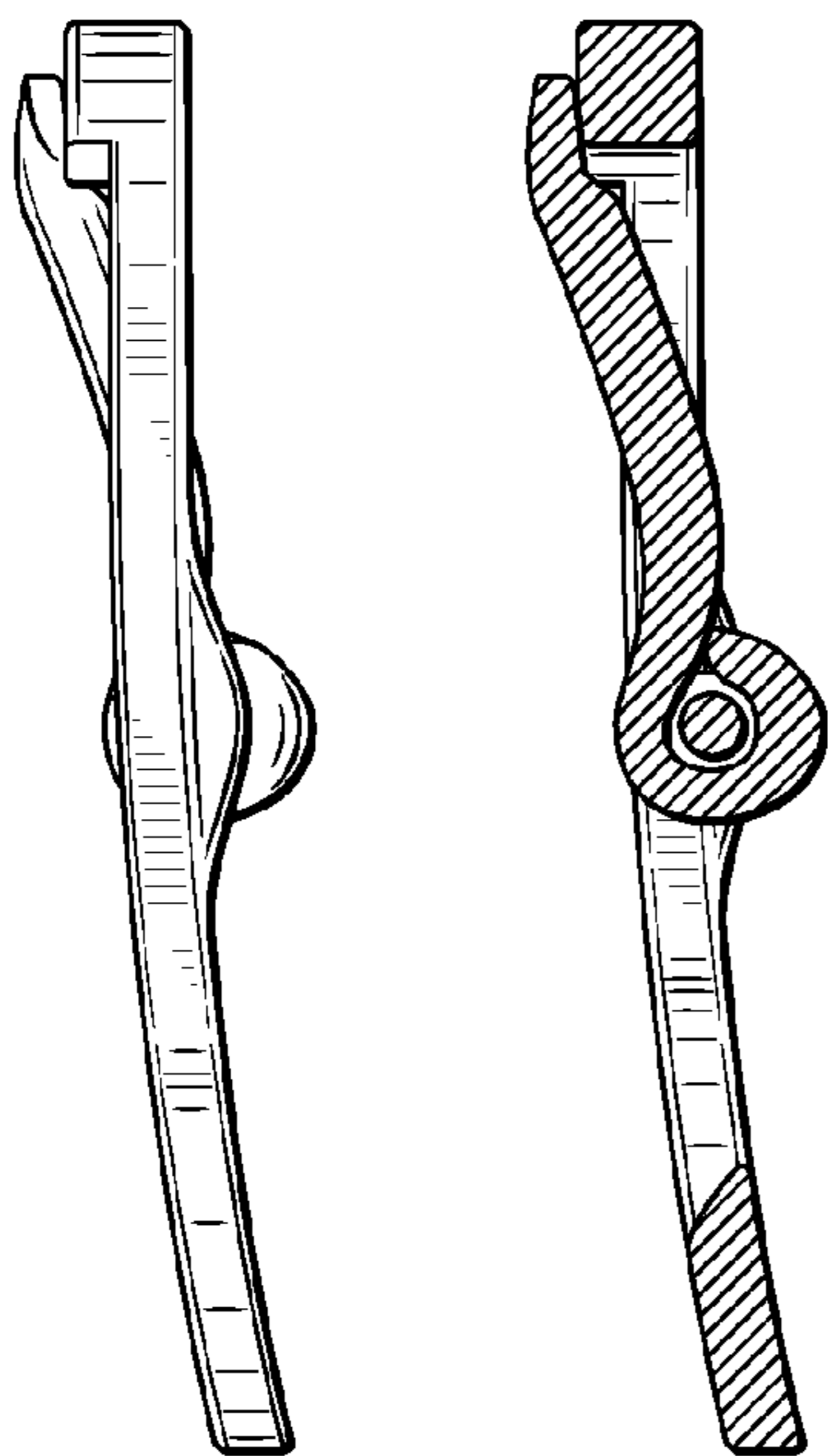


FIG. 9

FIG. 10

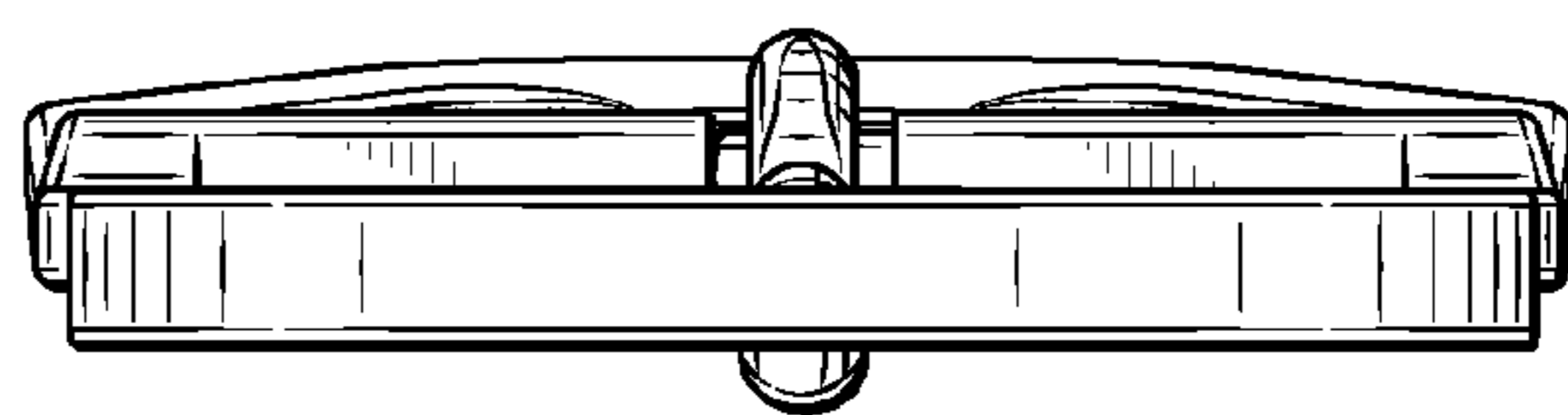


FIG. 11

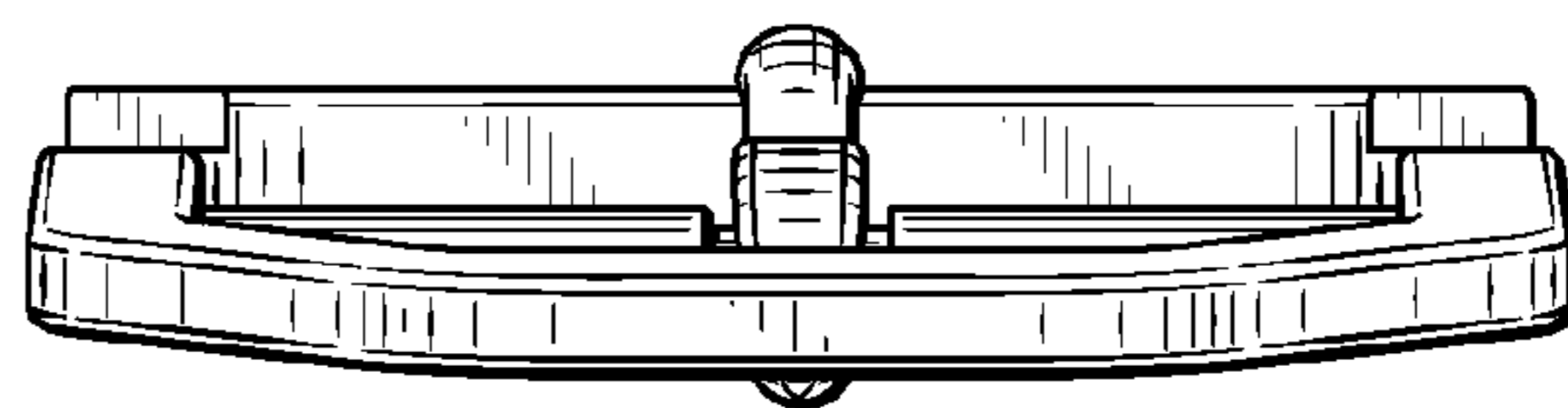


FIG. 12