

US00D578929S

(12) **United States Design Patent**
White

(10) **Patent No.:** **US D578,929 S**
(45) **Date of Patent:** **** Oct. 21, 2008**

(54) **PLANTER**

D552,319 S * 10/2007 Gusdorf D11/143

(75) Inventor: **Scott White**, Toronto (CA)

FOREIGN PATENT DOCUMENTS

(73) Assignee: **CTI International Limited**, Toronto,
Ontario (CA)

GB 2031598 * 10/1993

(**) Term: **14 Years**

* cited by examiner

(21) Appl. No.: **29/290,719**

Primary Examiner—Caron D. Veynar
Assistant Examiner—Garth Rademaker
(74) *Attorney, Agent, or Firm*—Riches, McKenzie & Herbert
LLP

(22) Filed: **Jan. 7, 2008**

(57) **CLAIM**

(51) **LOC (8) Cl.** **11-02**

(52) **U.S. Cl.** **D11/155**

(58) **Field of Classification Search** D6/403,
D6/556; D11/143–156, 164; D19/77, 81,
D19/84; D23/355, 366; D26/9, 20, 22; D34/1–11;
D99/5, 19; 47/32.7, 39, 41.01, 41.1, 41.12–41.15,
47/65.5, 66.1, 66.6, 66.7, 71

I claim the ornamental design for a planter, as shown and described.

See application file for complete search history.

DESCRIPTION

(56) **References Cited**

U.S. PATENT DOCUMENTS

1,226,311 A	*	5/1917	Clifford	D11/155
D241,874 S	*	10/1976	Berglund	D11/156
D340,204 S	*	10/1993	Grosfillex	D11/155
D359,708 S	*	6/1995	Boscato	D11/152
D461,743 S	*	8/2002	Dubner et al.	D11/155
D480,326 S	*	10/2003	Carlson	D11/155
D488,401 S	*	4/2004	Gutierrez	D11/155
D532,715 S	*	11/2006	Schmidt	D11/155

FIG. 1 is a perspective view of a planter, showing my new design;

FIG. 2 is a top plan view thereof;

FIG. 3 is a bottom plan view thereof;

FIG. 4 is a left side elevation view thereof, the right side elevation view being identical thereto; and,

FIG. 5 is a front elevation view thereof, the rear elevation view being identical thereto.

The broken lines depict environmental subject matter only and form no part of the claimed design.

1 Claim, 3 Drawing Sheets

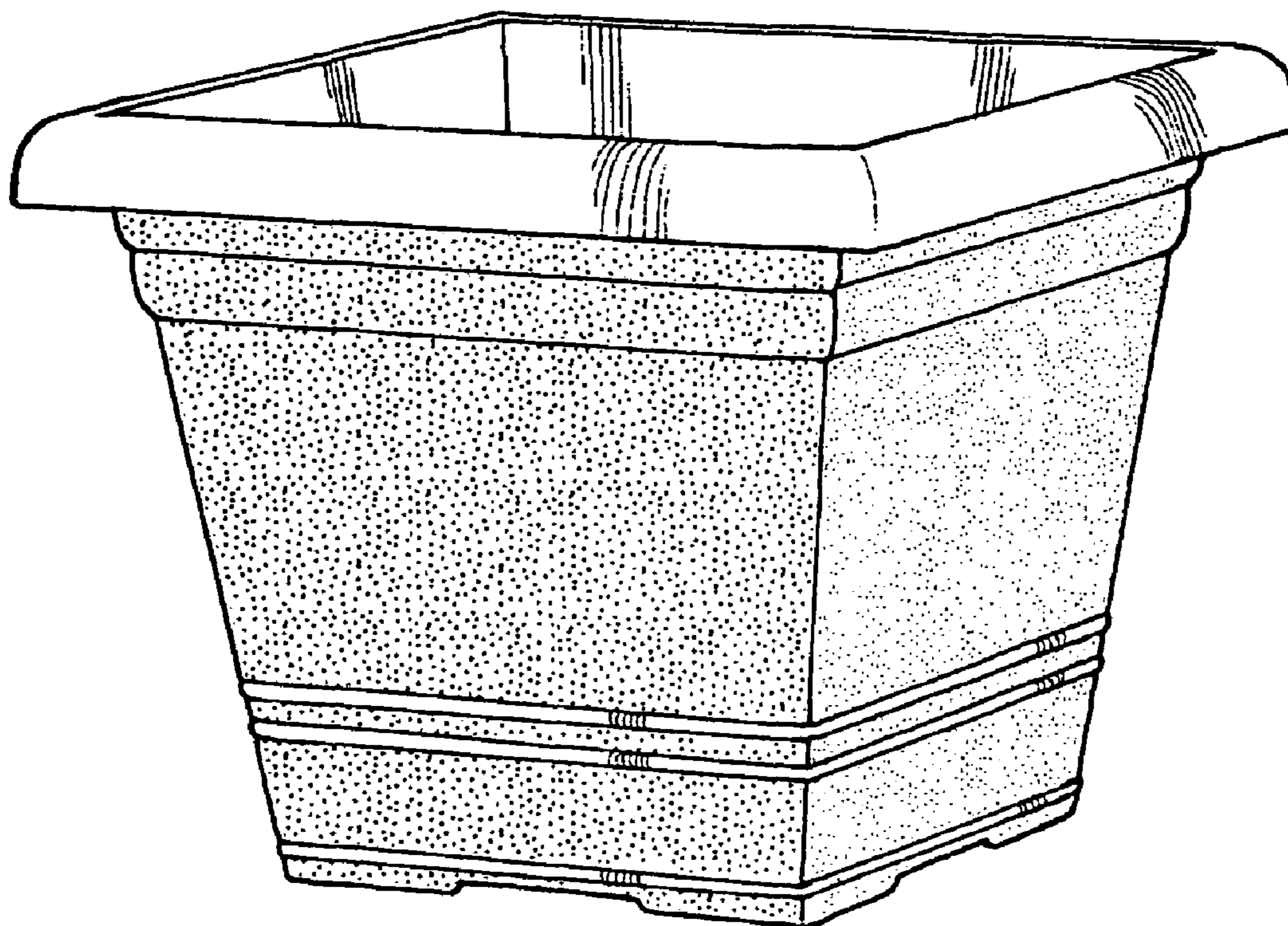


FIGURE 1

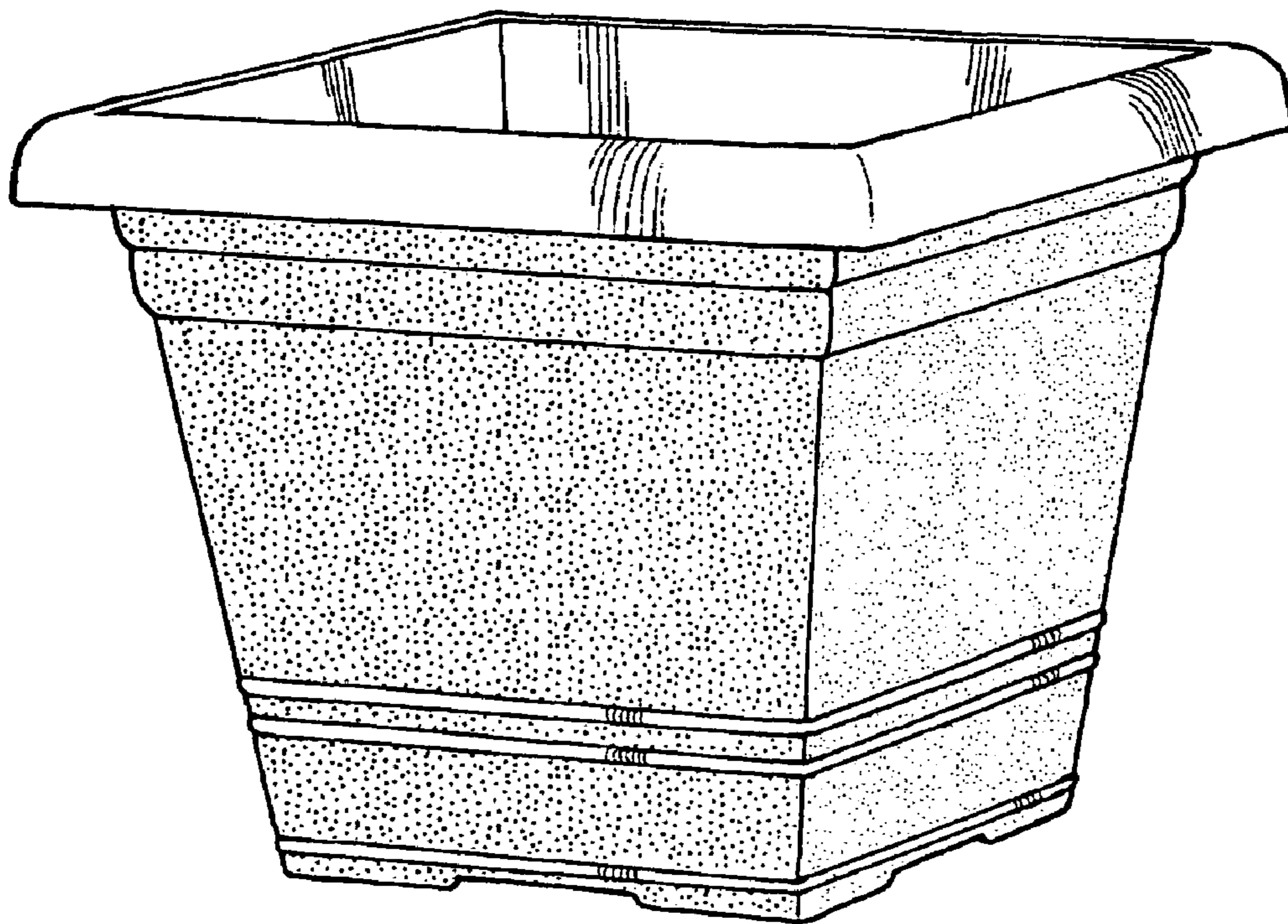


FIGURE 2

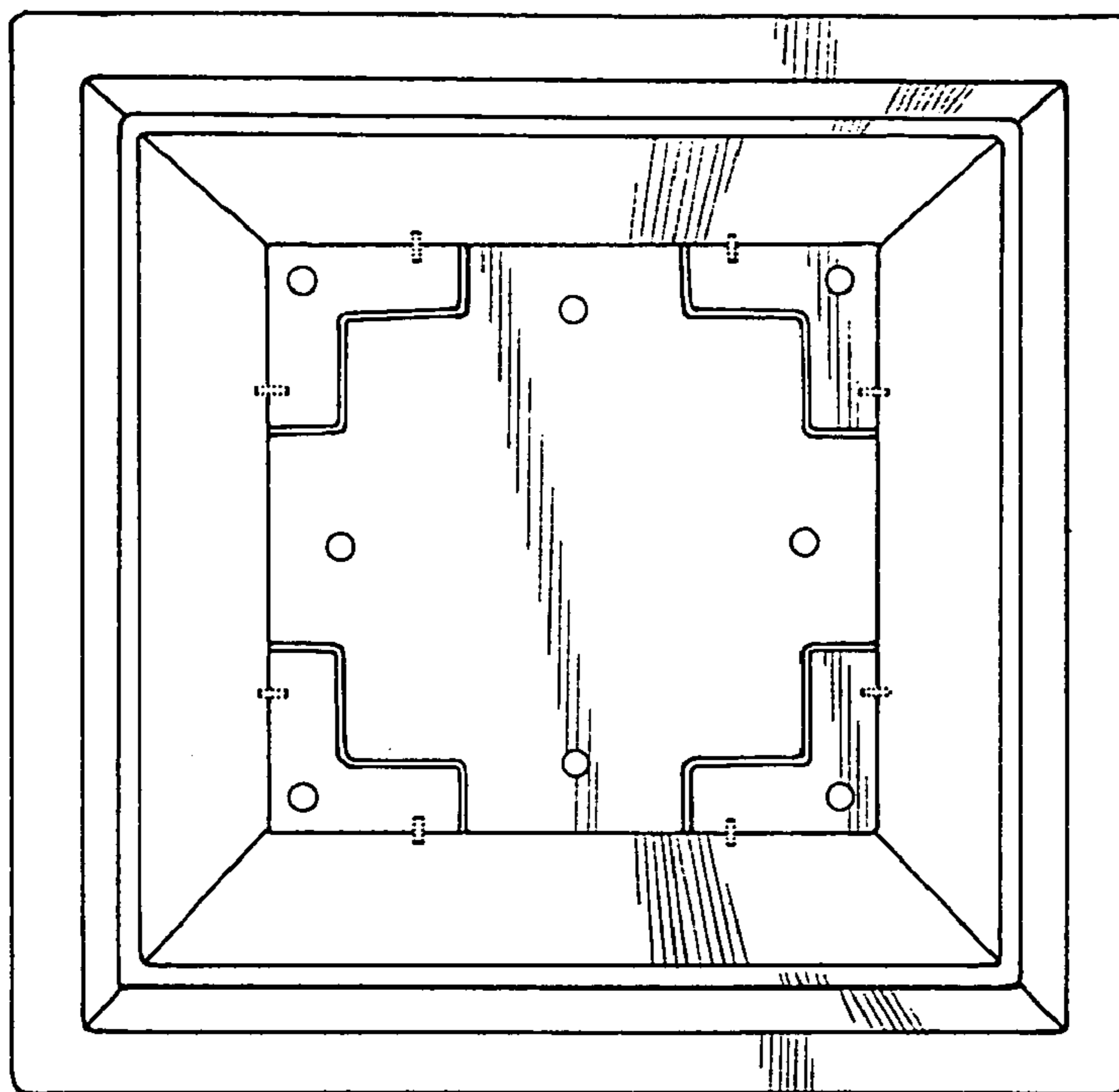


FIGURE 3

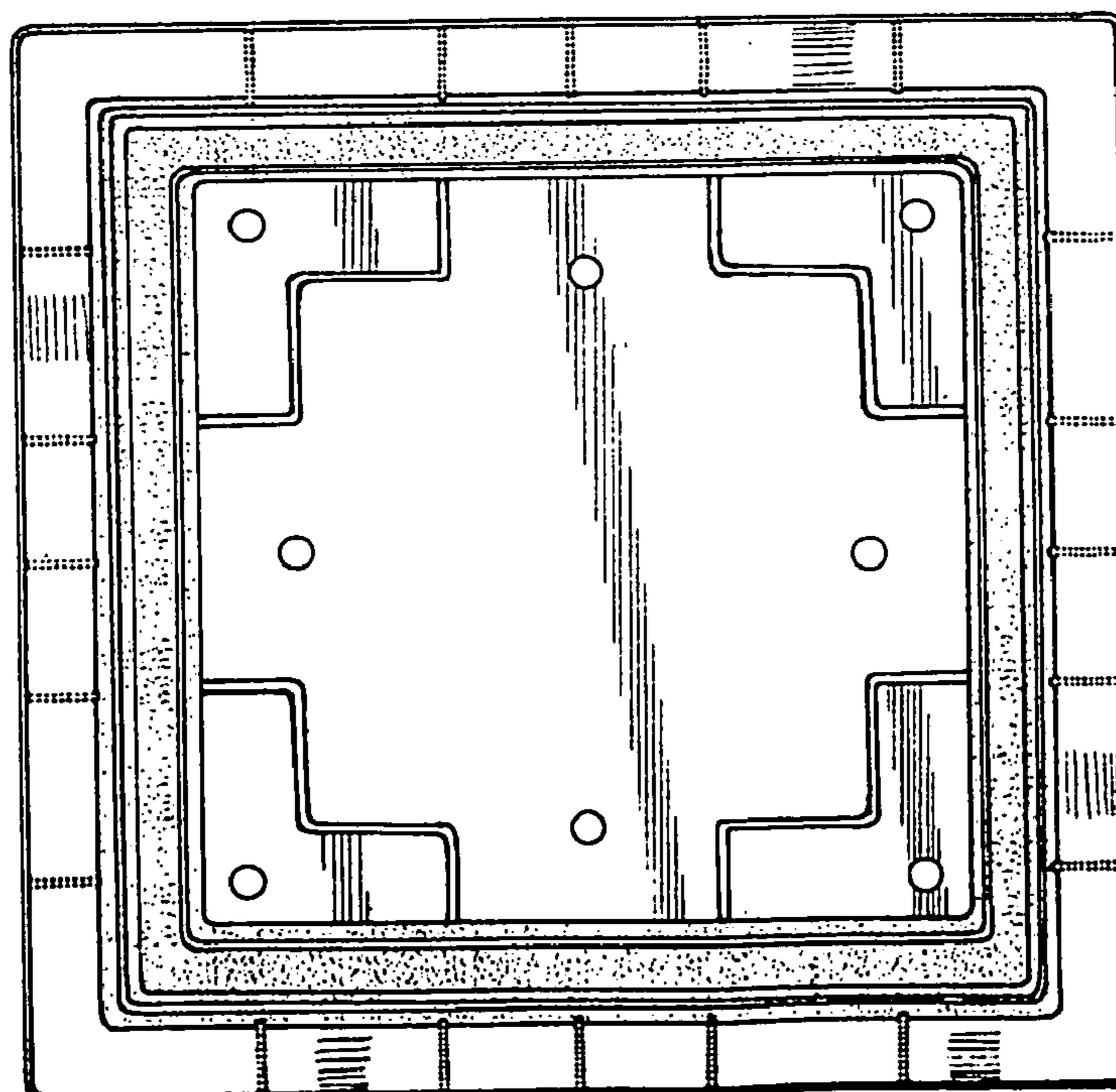


FIGURE 4

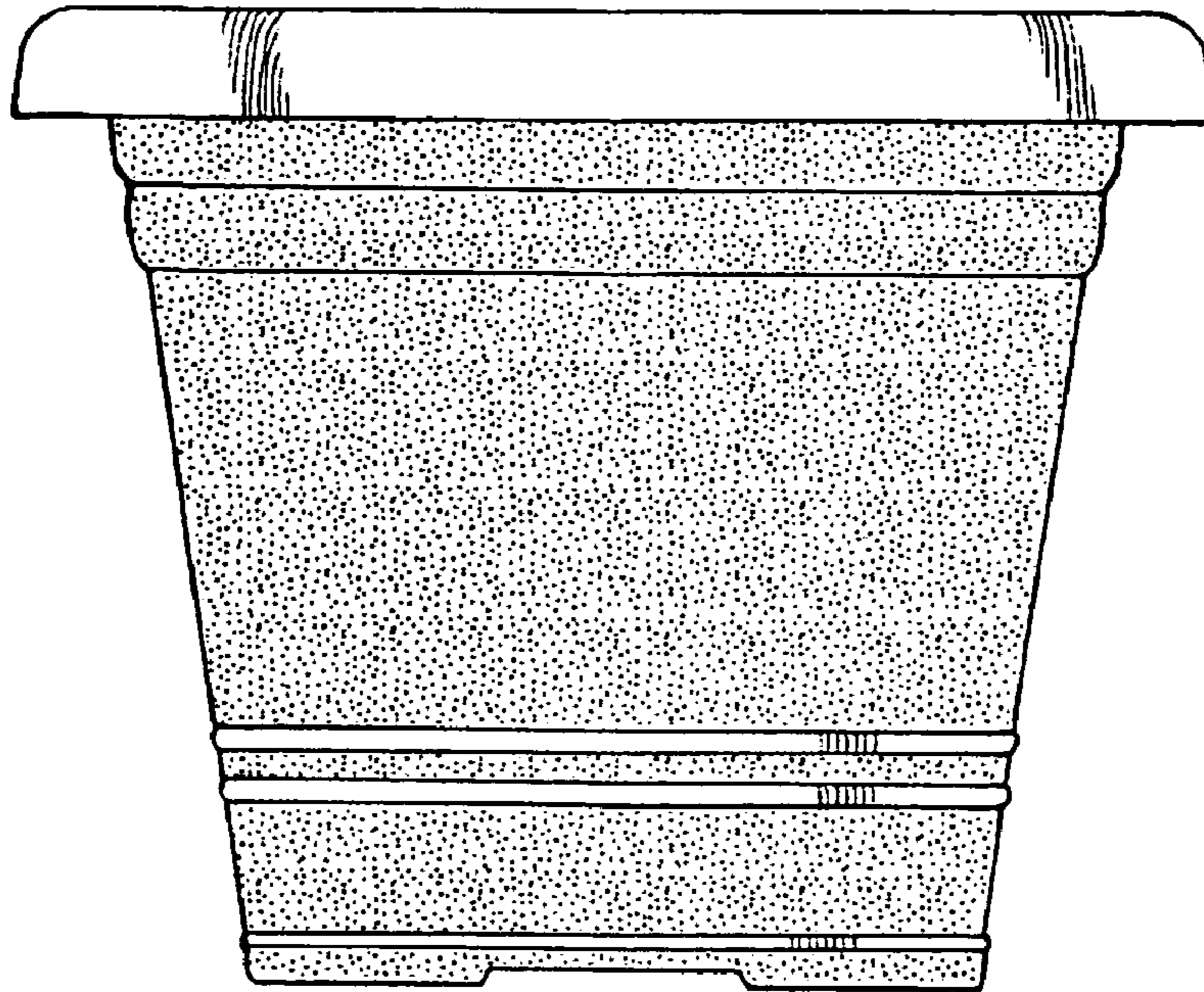


FIGURE 5

