



US00D578926S

(12) **United States Design Patent**
Jean

(10) **Patent No.:** **US D578,926 S**
(45) **Date of Patent:** **** Oct. 21, 2008**

(54) **LAPEL PIN** D279,360 S * 6/1985 Hubachek D11/71

(75) Inventor: **Paul Jean**, Brossard (CA)

* cited by examiner

(73) Assignee: **Northern Int'l. Inc.**, Ontario (CA)

Primary Examiner—Louis S Zarfaz

Assistant Examiner—Michael A Pratt

(**) Term: **14 Years**

(74) *Attorney, Agent, or Firm*—McAndrews, Held & Malloy, Ltd.

(21) Appl. No.: **29/302,060**

(57) **CLAIM**

(22) Filed: **Jan. 9, 2008**

The ornamental design for a lapel pin, as substantially shown and described.

(51) **LOC (8) Cl.** **11-03**

(52) **U.S. Cl.** **D11/114**

(58) **Field of Classification Search** D11/1–24,
D11/30, 40, 41, 42, 43, 44, 45, 47, 48, 49,
D11/79, 80, 86, 89, 90, 91, 92, 93, 117, 120,
D11/121, 122, 139, 143, 144, 151; 63/3,
63/3.1, 3.2, 4, 5.1, 7, 10, 11, 15, 15.7, 18,
63/21, 35, 37, 38; 224/175

DESCRIPTION

See application file for complete search history.

FIG. 1 is a perspective view of a lapel pin showing my new design;

FIG. 2 is a front side elevation view thereof;

FIG. 3 is a back side elevation view thereof;

FIG. 4 is a left side elevation view thereof, the right side elevation view being a mirror image thereof;

FIG. 5 is a top plan view thereof; and,

FIG. 6 is a bottom plan view thereof.

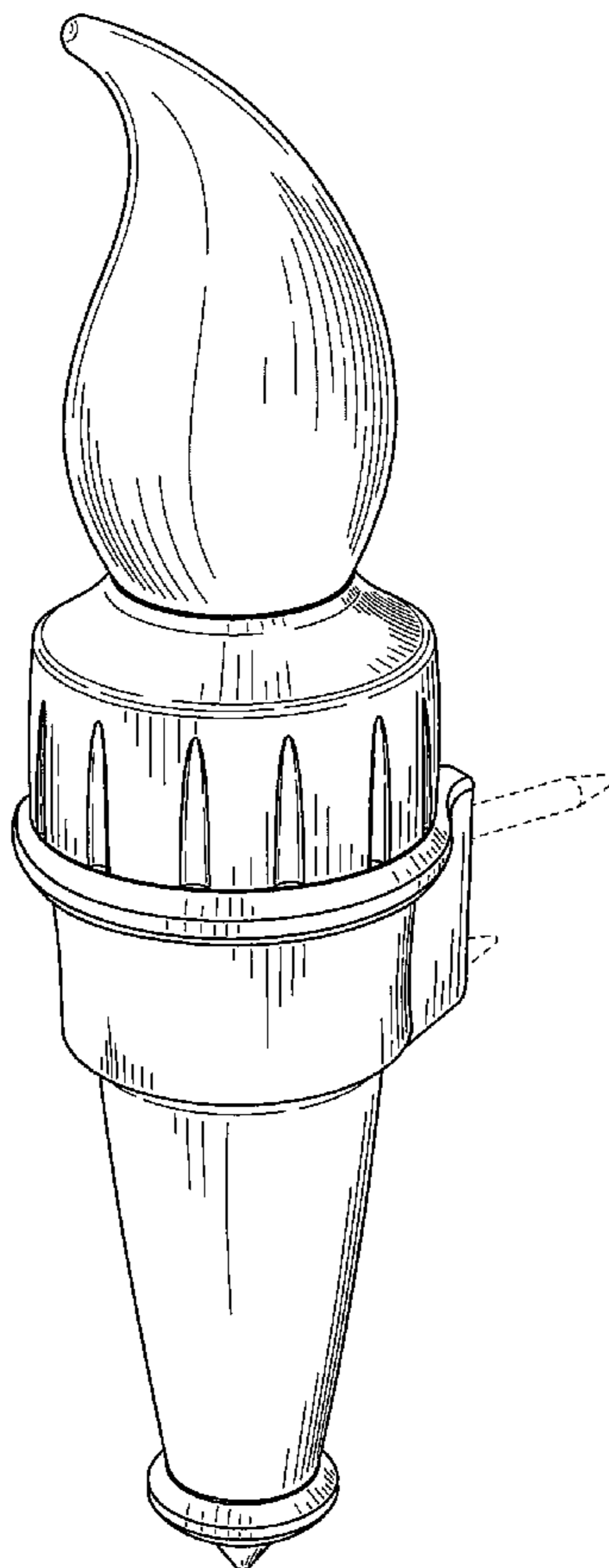
The broken lines in the drawings represent environmental subject matter and form no part of the claimed design.

(56) **References Cited**

U.S. PATENT DOCUMENTS

- D44,424 S * 7/1913 Wadsworth D11/114
- D117,039 S * 10/1939 Glaenzer D11/54
- D120,626 S * 5/1940 Meadow D11/56
- D132,976 S * 7/1942 Lockwood D11/54
- D144,951 S * 6/1946 Weinstock D11/71

1 Claim, 2 Drawing Sheets



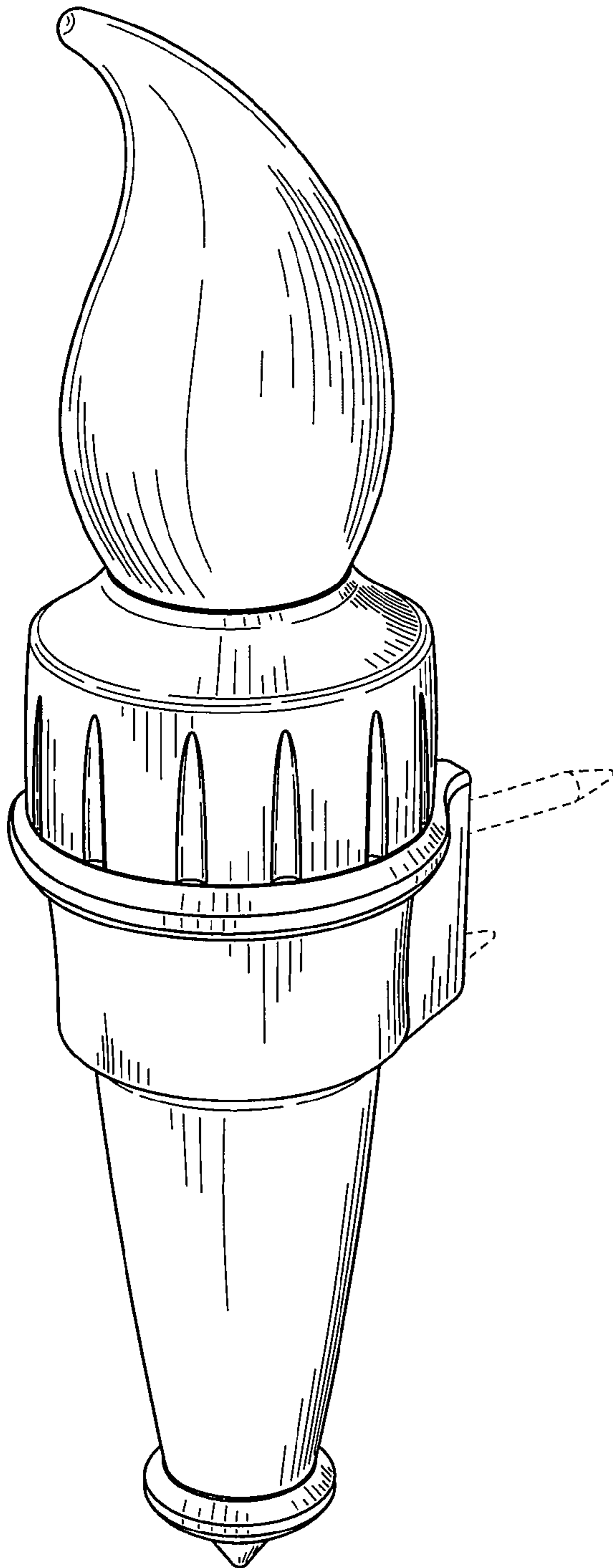


FIG. 1

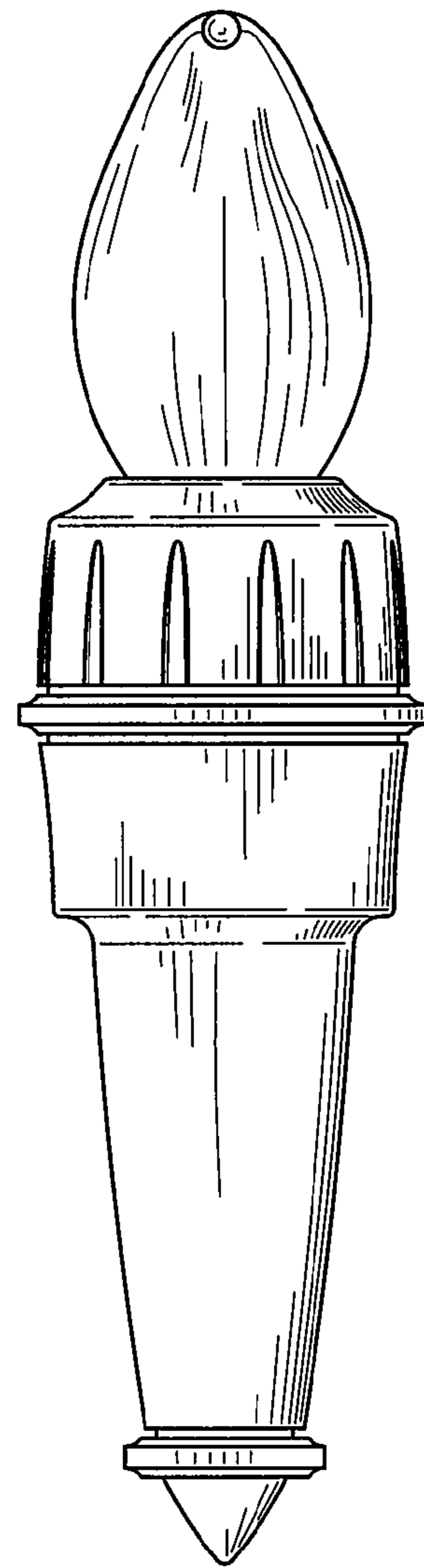


FIG. 2

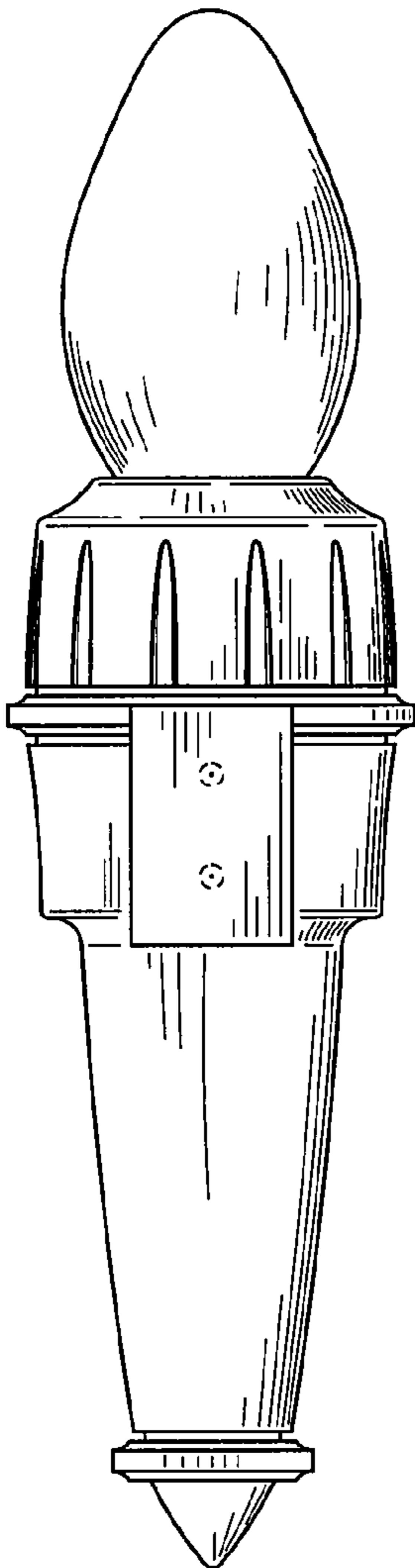


FIG. 3

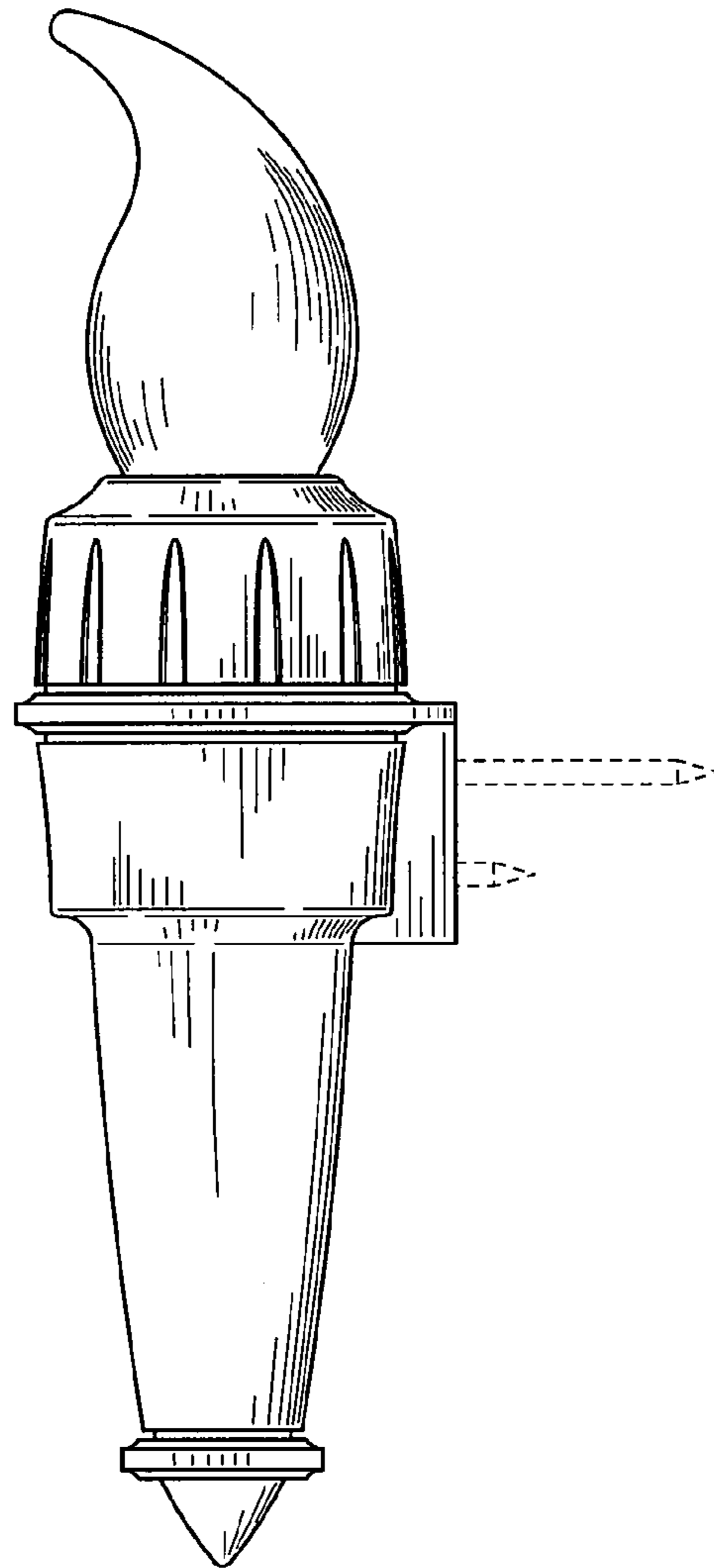


FIG. 4

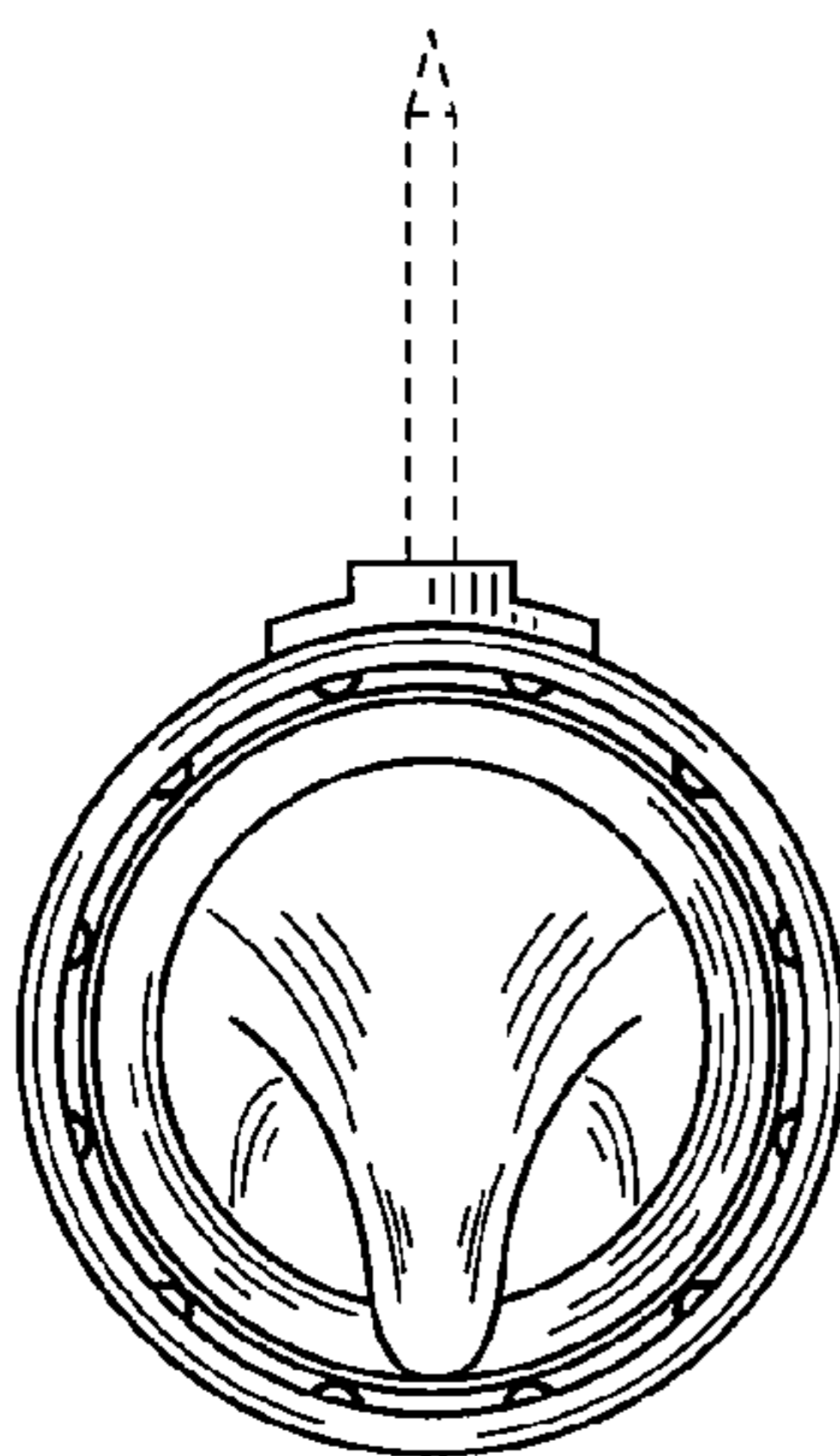


FIG. 5

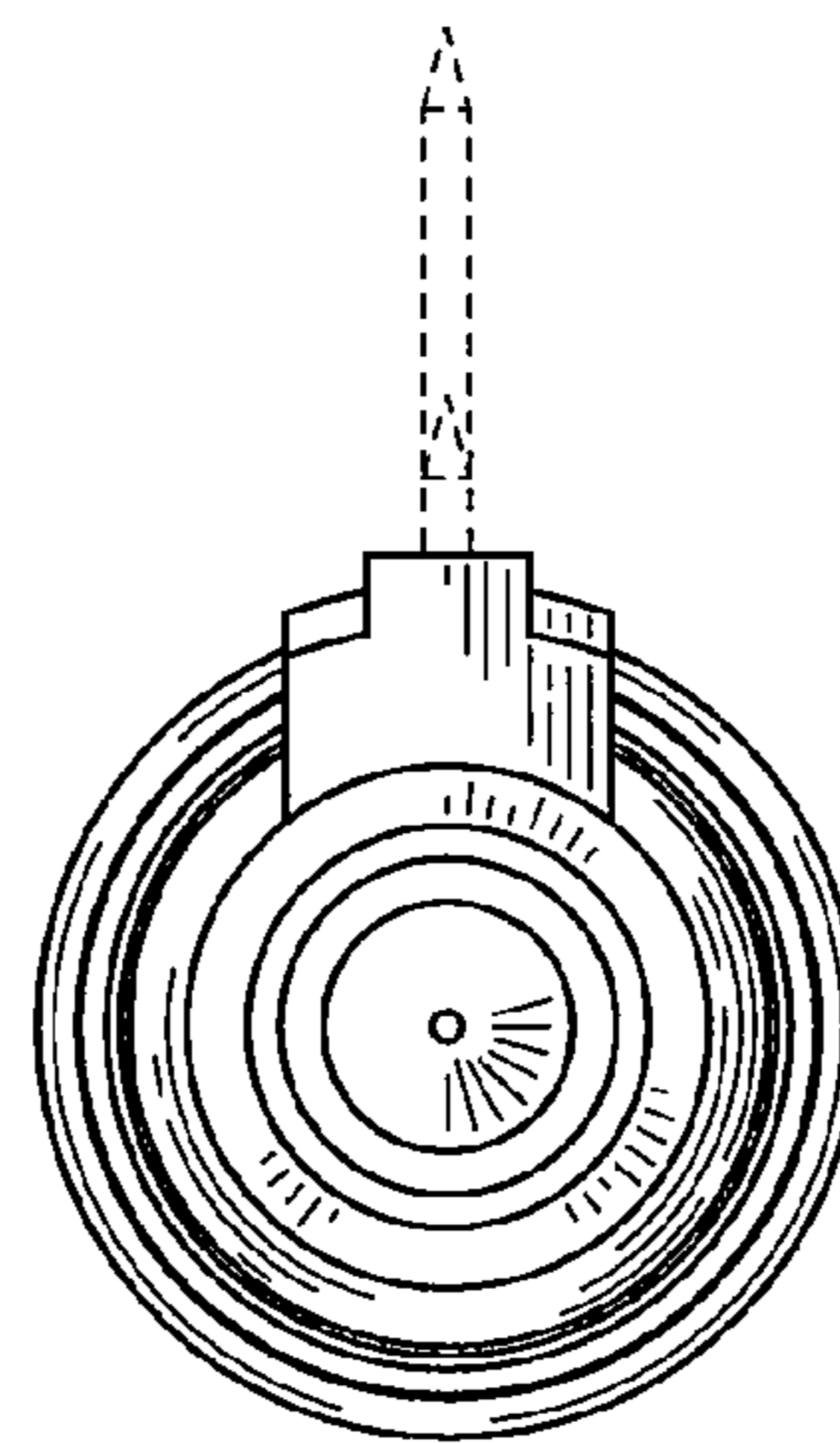


FIG. 6