



US00D578922S

(12) **United States Design Patent**  
**Hoshino**

(10) **Patent No.:** **US D578,922 S**  
(45) **Date of Patent:** **\*\* Oct. 21, 2008**

- (54) **WATCH CASE**
- (75) Inventor: **Kazunori Hoshino**, Matsumoto (JP)
- (73) Assignee: **Seiko Epson Corporation** (JP)
- (\*\*) Term: **14 Years**
- (21) Appl. No.: **29/301,891**
- (22) Filed: **Mar. 20, 2008**
- (30) **Foreign Application Priority Data**  
Dec. 25, 2007 (JP) ..... 2007-035314
- (51) **LOC (8) Cl.** ..... **10-07**
- (52) **U.S. Cl.** ..... **D10/128**
- (58) **Field of Classification Search** ..... D10/30-39,  
D10/122-132; 368/276, 281, 282, 285, 316,  
368/317, 319, 288, 306, 308  
See application file for complete search history.

- D527,283 S \* 8/2006 De Witt ..... D10/38
- D540,196 S \* 4/2007 Ruchonnet ..... D10/32
- D541,675 S \* 5/2007 Ruchonnet ..... D10/38
- D544,372 S \* 6/2007 Seyr et al. .... D10/32
- D551,100 S \* 9/2007 Okaya ..... D10/38

**OTHER PUBLICATIONS**

Watch Case, Kazunori Hoshino, U.S. Appl. No. 29/201,889.  
Watch Case, Kazunori Hoshino, U.S. Appl. No. 29/301,890.

\* cited by examiner

*Primary Examiner*—Lucy Lieberman

(74) *Attorney, Agent, or Firm*—Harness, Dickey & Pierce, P.L.C.

(56) **References Cited**

**U.S. PATENT DOCUMENTS**

- 2,342,804 A \* 2/1944 Hiller ..... 368/316
- 3,162,007 A \* 12/1964 Parmentier ..... 368/281
- 3,270,928 A \* 9/1966 Brunet ..... 224/164
- 3,475,902 A \* 11/1969 Wessel ..... 368/10
- D327,851 S \* 7/1992 Besson ..... D10/39
- D386,094 S \* 11/1997 Ventrella ..... D10/30
- D399,757 S \* 10/1998 Riley et al. .... D10/30
- D399,758 S \* 10/1998 Mendoza ..... D10/30
- D427,915 S \* 7/2000 Erediano ..... D10/30
- D465,738 S \* 11/2002 Streltsov ..... D10/30
- D500,682 S \* 1/2005 Lalo ..... D10/30

(57) **CLAIM**

The ornamental design for a watch case, as shown and described.

**DESCRIPTION**

FIG. 1 is a perspective view of a watch case, as viewed from the top, front and left side embodying my new design;

FIG. 2 is a perspective view thereof, as viewed from the top, front and right side;

FIG. 3 is a left side view thereof;

FIG. 4 is a right side view thereof;

FIG. 5 is a rear view thereof;

FIG. 6 is a top view thereof; and,

FIG. 7 is a bottom view thereof.

The broken lines are shown for illustrative purposes only and form no part of the claimed design.

**1 Claim, 3 Drawing Sheets**

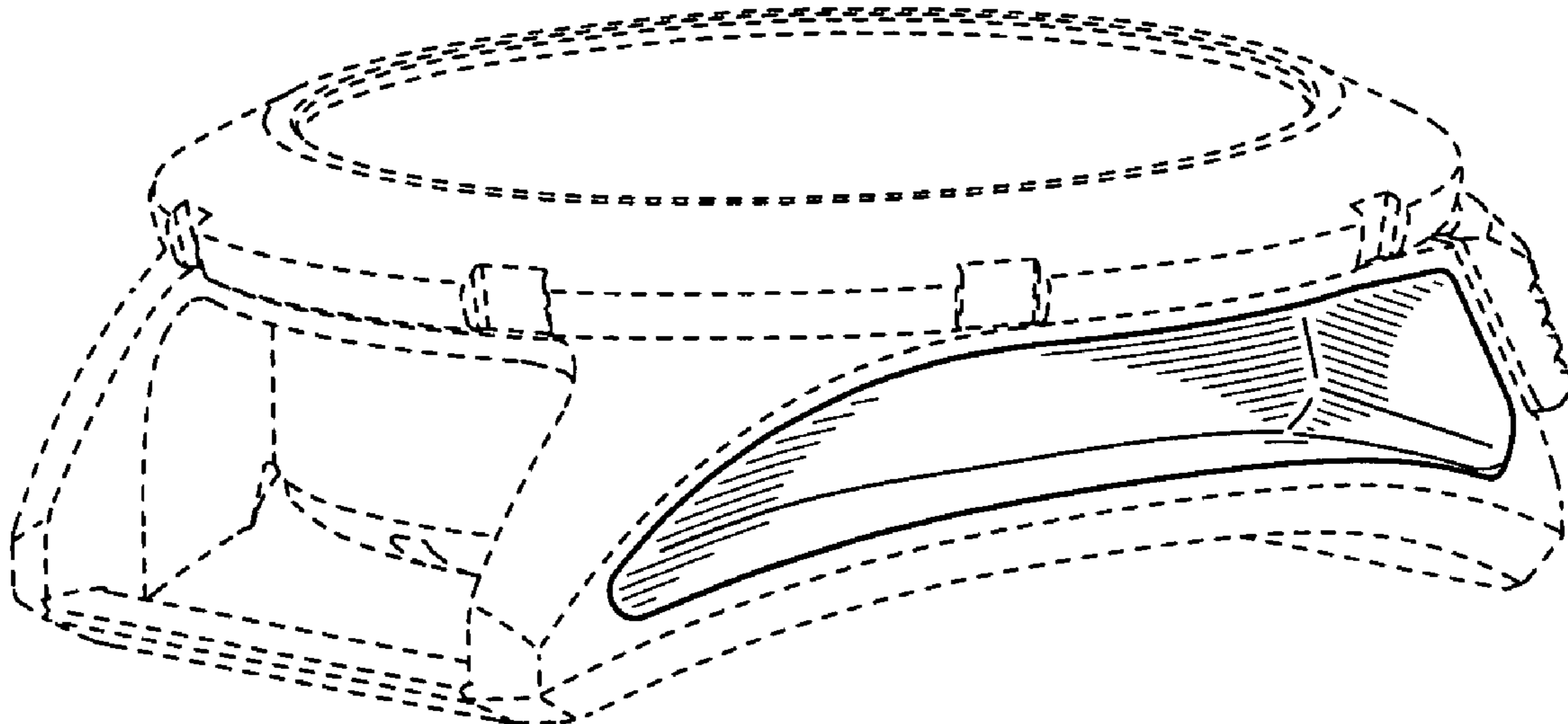


FIG. 1

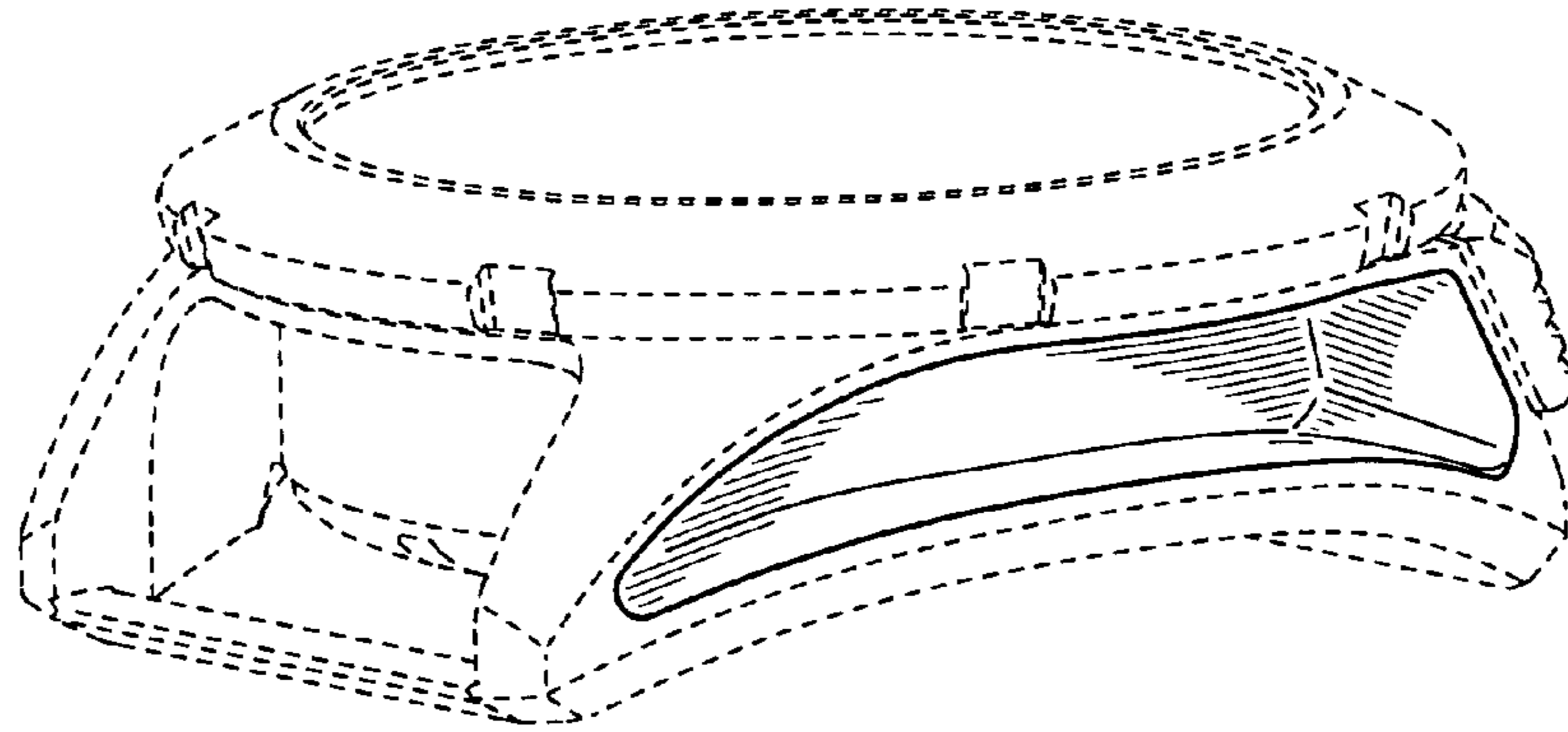
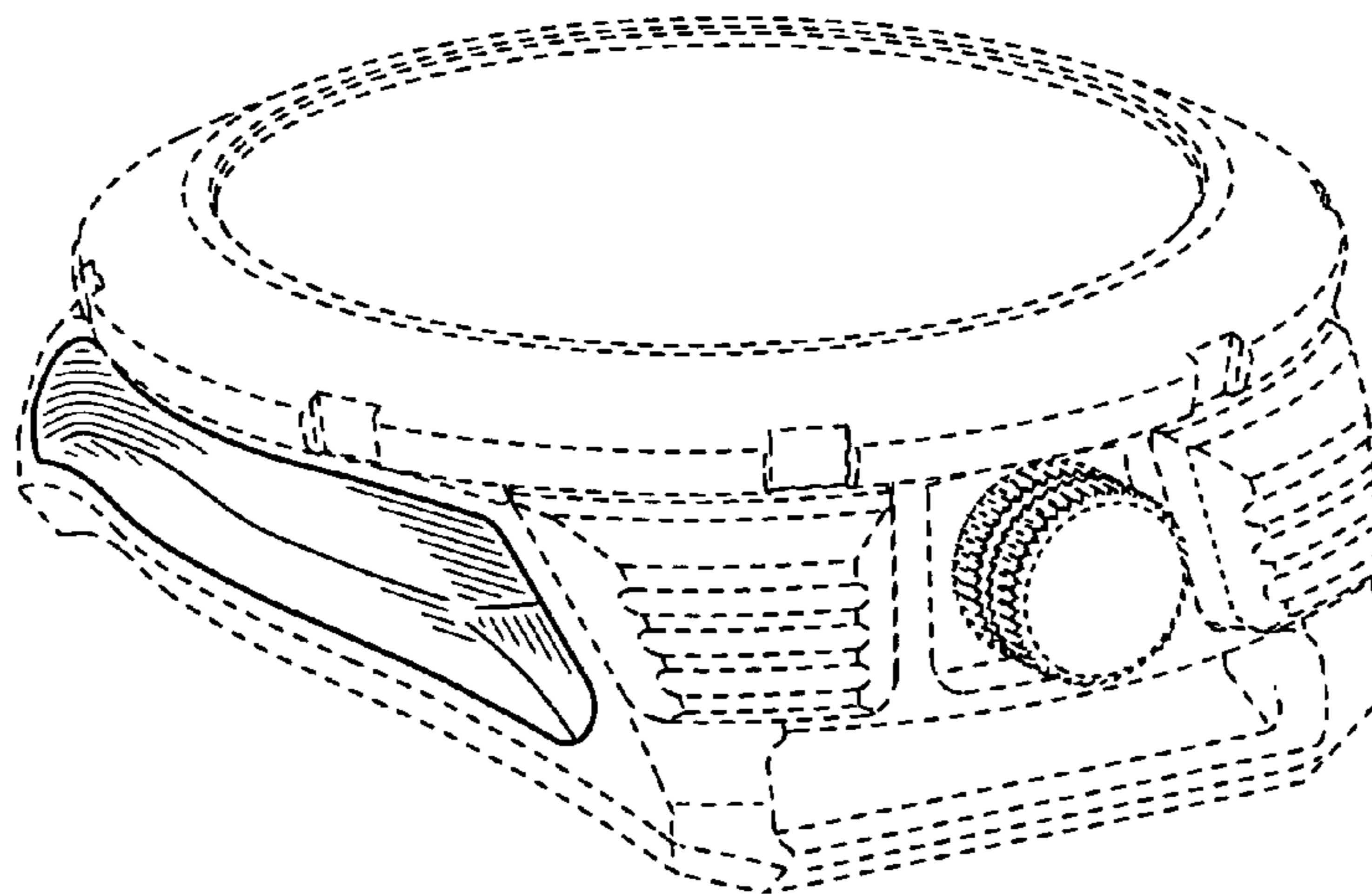


FIG. 2



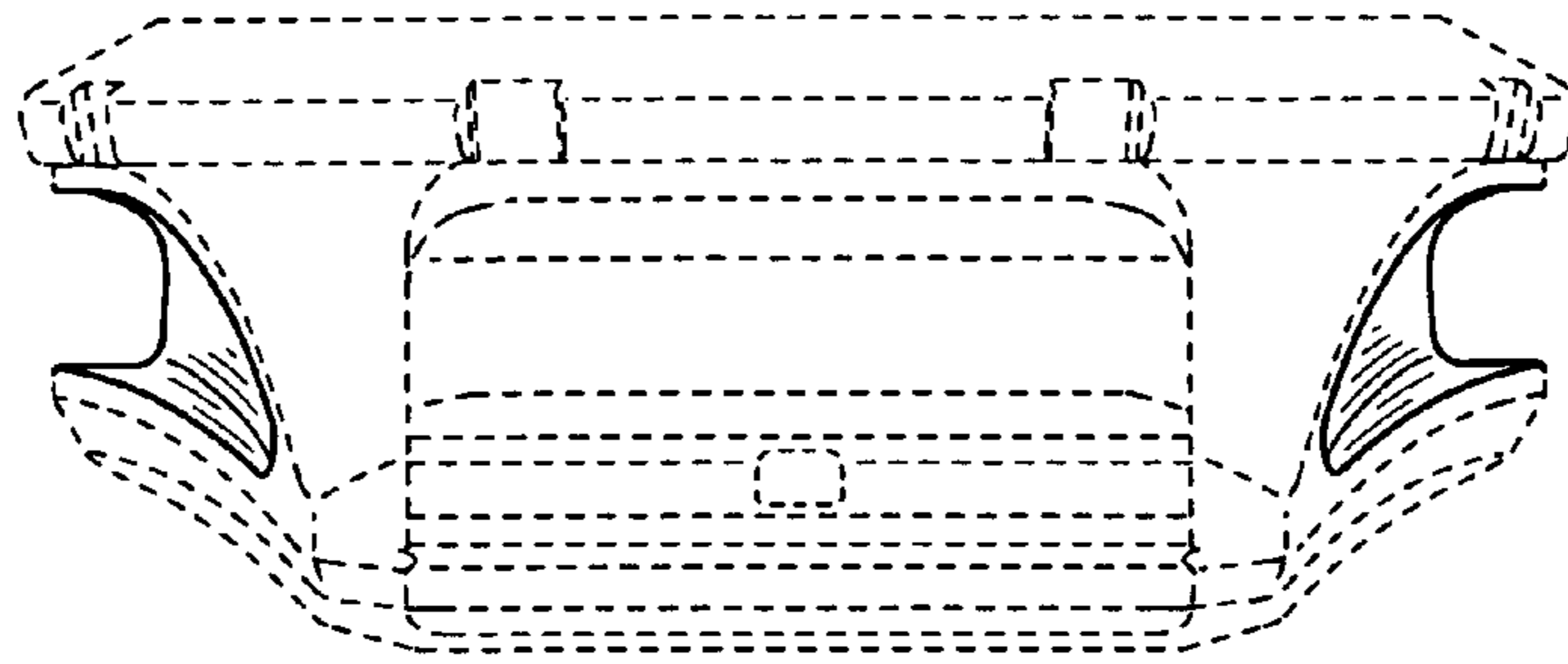


FIG. 3

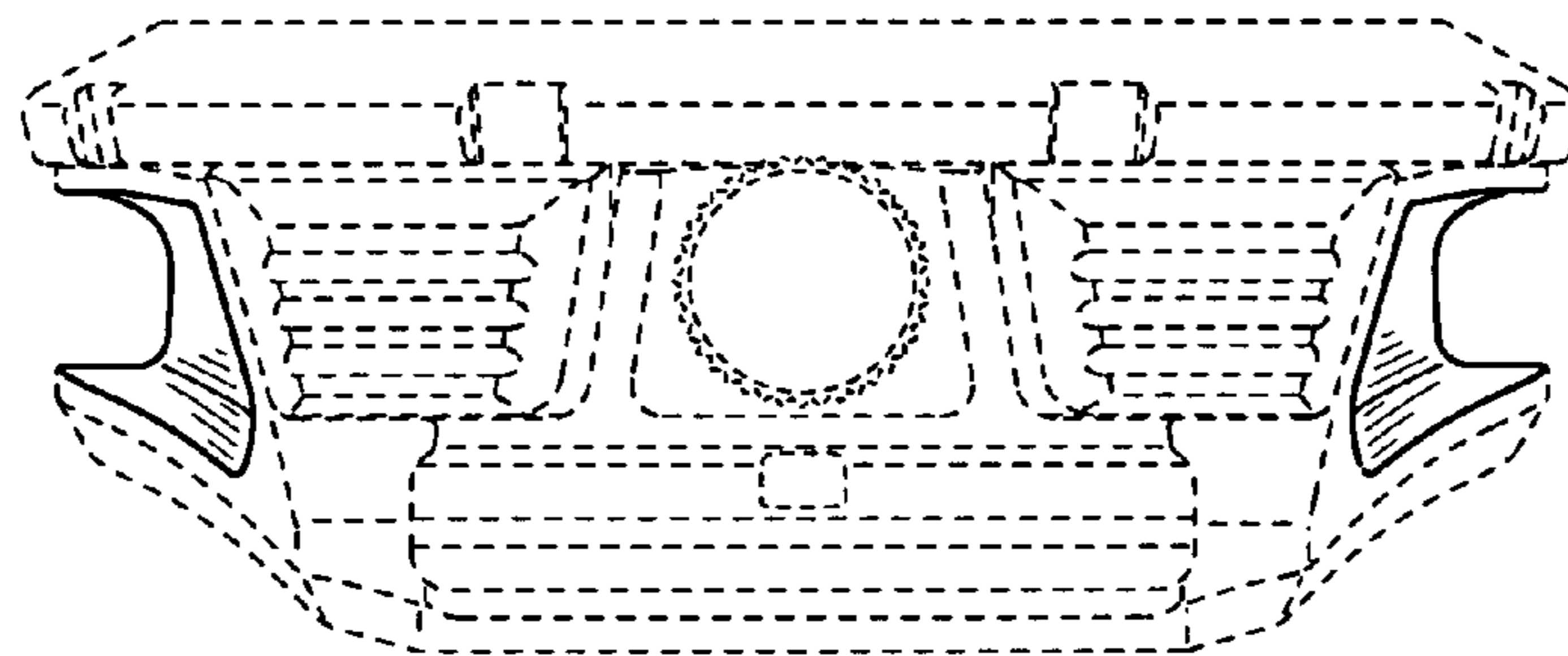


FIG. 4

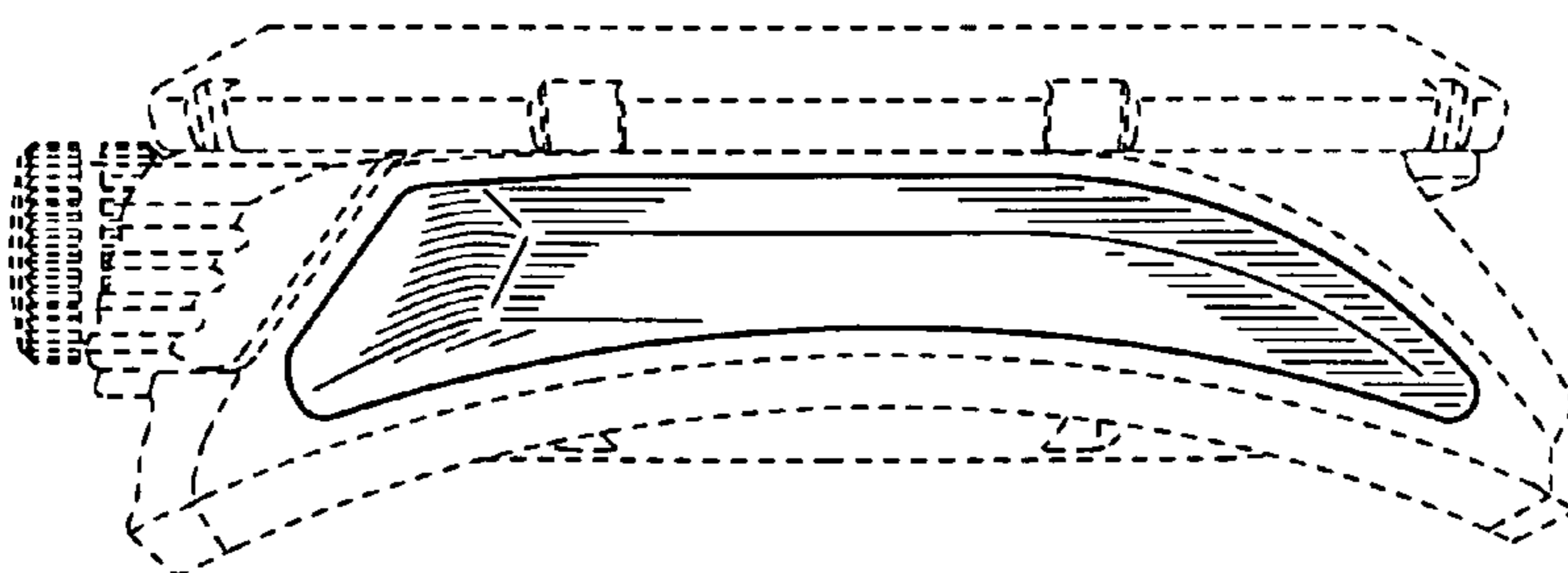


FIG. 5

FIG. 6

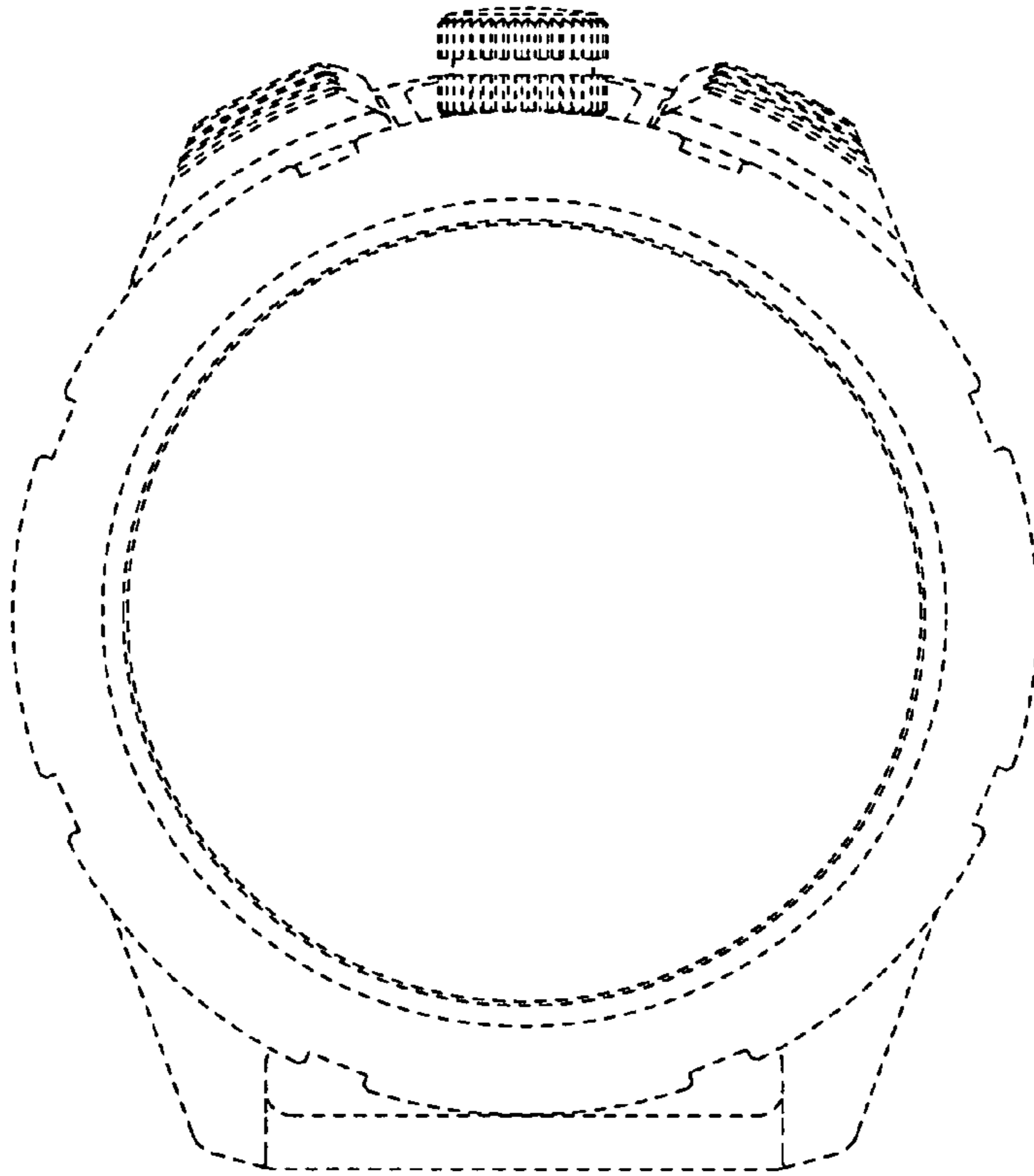
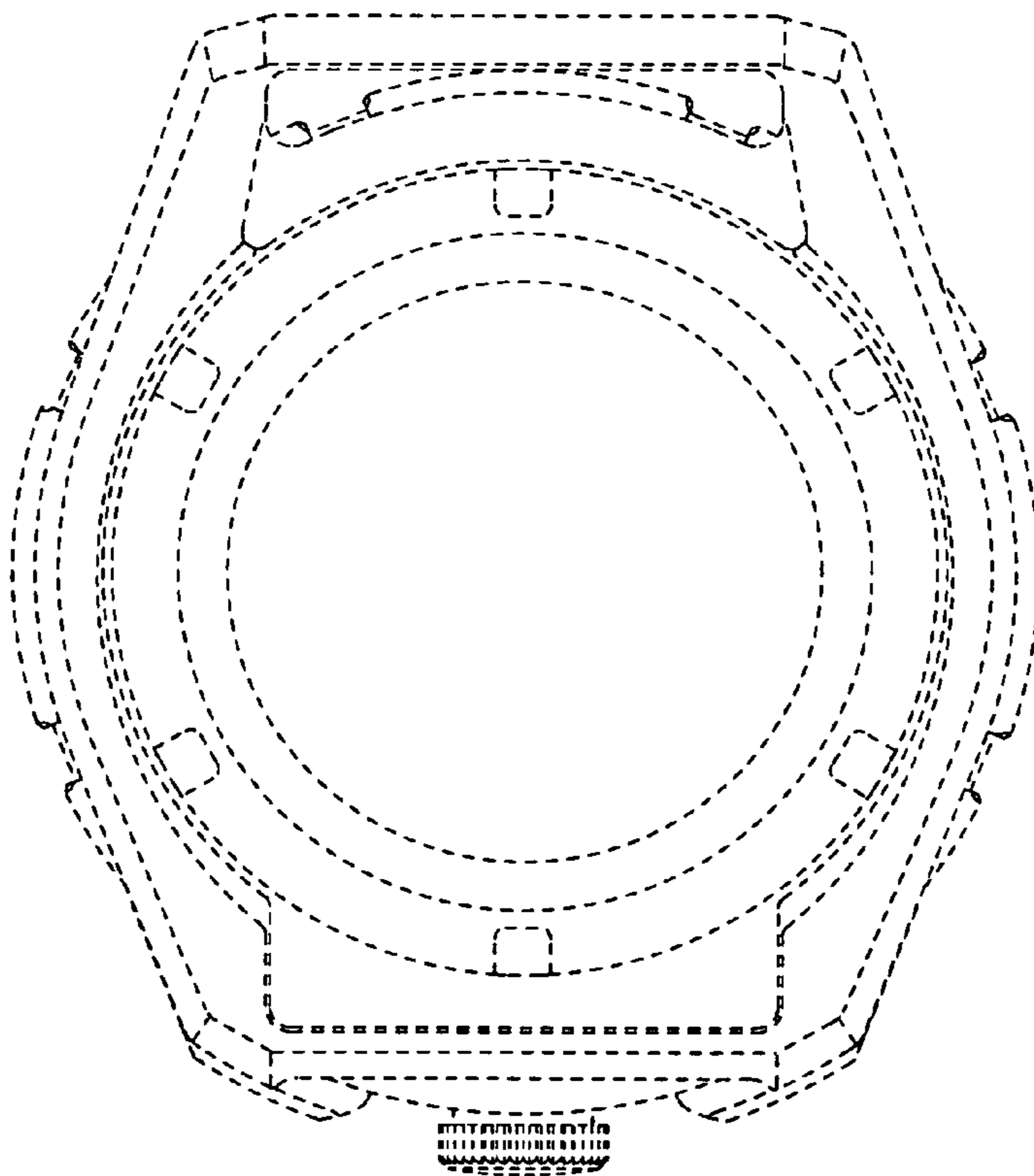


FIG. 7



UNITED STATES PATENT AND TRADEMARK OFFICE  
**CERTIFICATE OF CORRECTION**

PATENT NO. : Des. 578,922 S  
APPLICATION NO. : 29/301891  
DATED : October 21, 2008  
INVENTOR(S) : Kazunori Hoshino

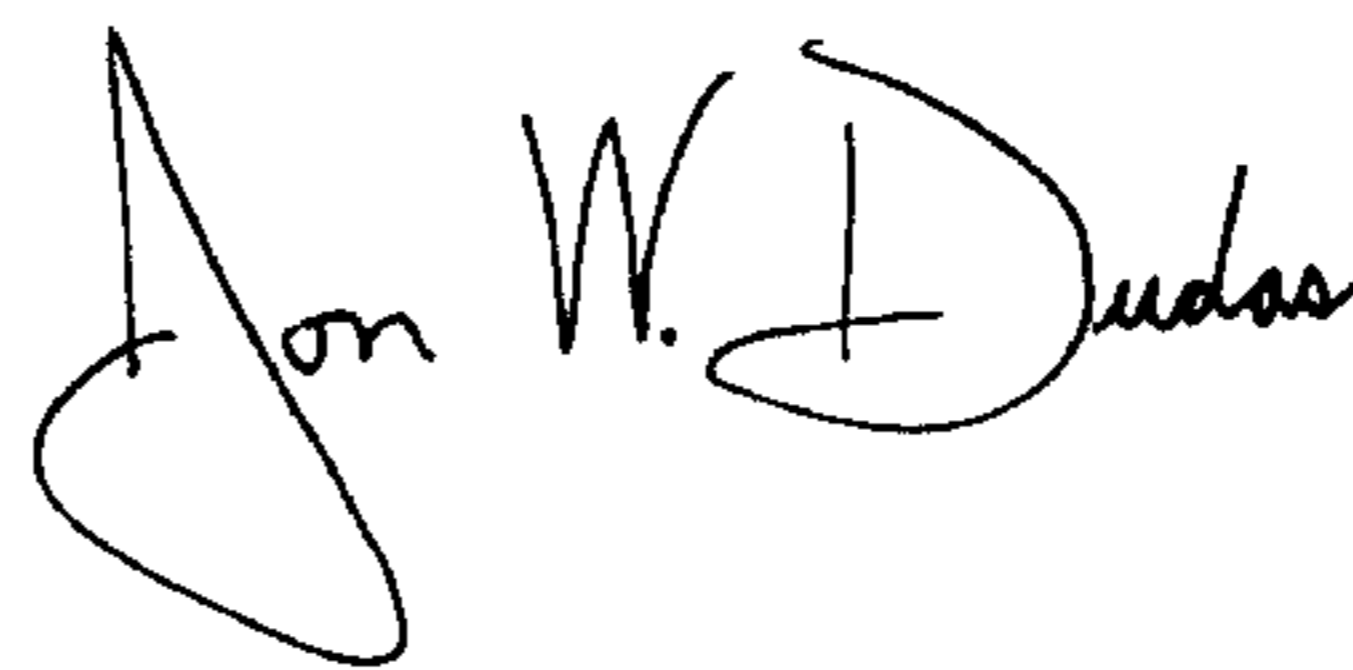
Page 1 of 1

It is certified that error appears in the above-identified patent and that said Letters Patent is hereby corrected as shown below:

On the Title Page, Item (56)  
Under the OTHER PUBLICATIONS section "29/201,889" should be --29/301,889--

Signed and Sealed this

Sixth Day of January, 2009

A handwritten signature in black ink that reads "Jon W. Dudas". The signature is written in a cursive style with a large, looped initial "J".

JON W. DUDAS  
*Director of the United States Patent and Trademark Office*