



US00D578917S

(12) **United States Design Patent**
Otsuka et al.

(10) **Patent No.:** **US D578,917 S**
(45) **Date of Patent:** **** Oct. 21, 2008**

(54) **DISPLAY PORTION FOR A BODY COMPOSITION METER**

(75) Inventors: **Takeshi Otsuka**, Kawagoe (JP); **Hiroshi Kajimoto**, Tokyo (JP)

(73) Assignee: **Tanita Corporation**, Tokyo (JP)

(**) Term: **14 Years**

(21) Appl. No.: **29/293,674**

(22) Filed: **Dec. 6, 2007**

(30) **Foreign Application Priority Data**

Jun. 8, 2007 (JP) 2007-15377

(51) **LOC (8) Cl.** **10-04**

(52) **U.S. Cl.** **D10/94**

(58) **Field of Classification Search** D10/93-94;
177/236-245, 25.13-25.18; 116/DIG. 32;
600/506, 547

See application file for complete search history.

(56) **References Cited**

U.S. PATENT DOCUMENTS

6,400,983 B1 * 6/2002 Cha 600/547
6,694,182 B1 * 2/2004 Yamazaki et al. 600/547
7,130,680 B2 * 10/2006 Kodama et al. 600/547
7,317,320 B2 * 1/2008 Park et al. 324/696

OTHER PUBLICATIONS

Related U.S. Appl. No. 29/293,671, filed Dec. 6, 2007; Inventor: H. Akahori et al.

Related U.S. Appl. No. 29/293,672, filed Dec. 6, 2007; Inventor: H. Akahori et al.

Related U.S. Appl. No. 29/293,673, filed Dec. 6, 2007; Inventor: T. Otsuka et al.

Related U.S. Appl. No. 29/293,675, filed Dec. 6, 2007; Inventor: T. Otsuka et al.

Related U.S. Appl. No. 29/293,677, filed Dec. 6, 2007; Inventor: T. Otsuka et al.

Related U.S. Appl. No. 29/293,678, filed Dec. 6, 2007; Inventor: T. Otsuka et al.

* cited by examiner

Primary Examiner—Antoine D Davis

(74) *Attorney, Agent, or Firm*—Frishauf, Holtz, Goodman & Chick, P.C.

(57) **CLAIM**

The ornamental design for a display portion for a body composition meter, as shown and described.

DESCRIPTION

FIG. 1 shows a front view of a display portion for a body composition meter, showing our new design;

FIG. 2 is a left side view thereof;

FIG. 3 is a right side view thereof;

FIG. 4 is a top plan view thereof;

FIG. 5 is a bottom plan view thereof;

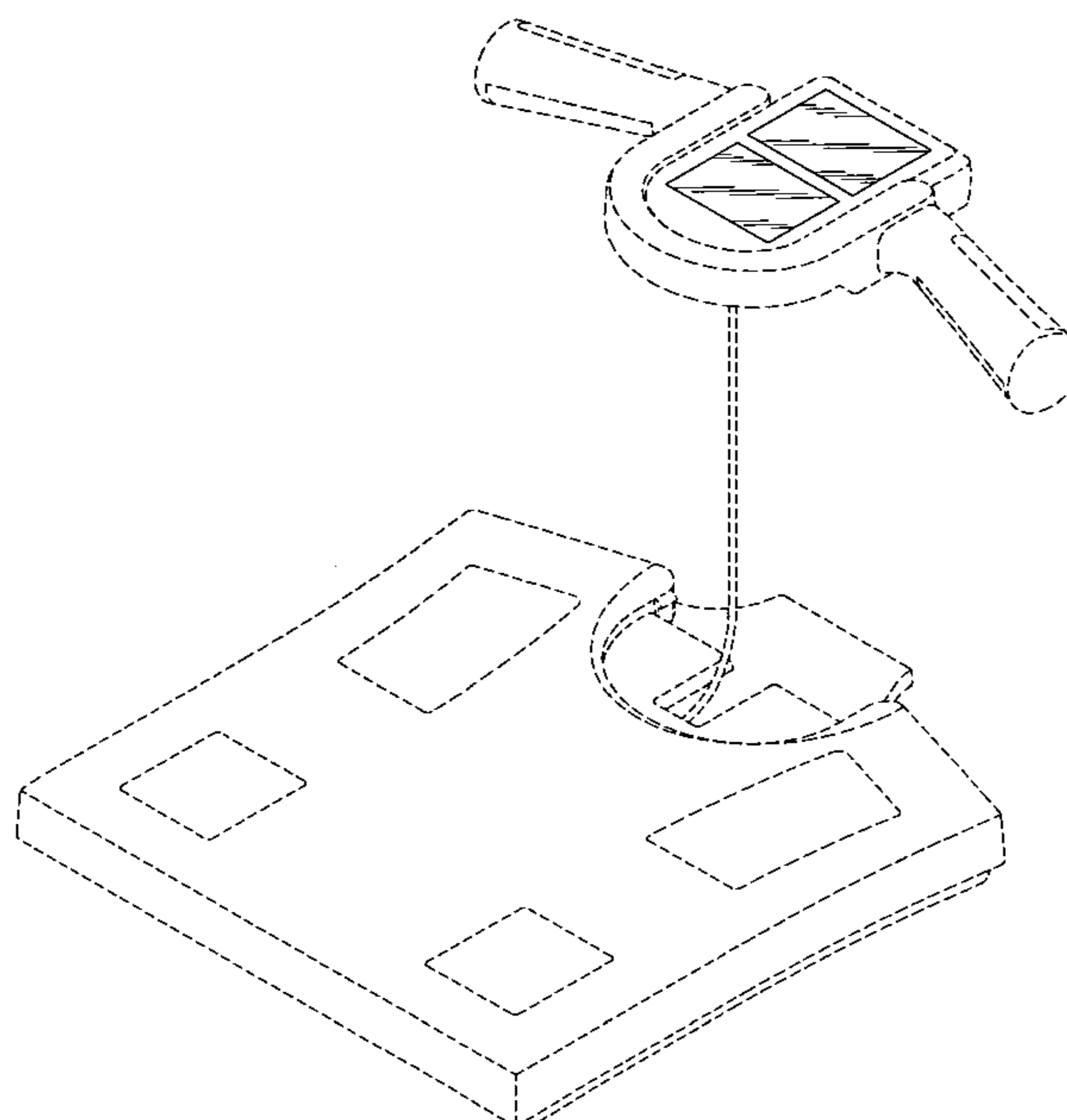
FIG. 6 is a perspective view thereof, shown mounted in a body portion of a scale; and,

FIG. 7 is a perspective view thereof, shown detached from the body portion of the scale.

The claimed display areas are shown in FIG. 1 encircled by a chain line. The areas outside the chain line are not claimed.

The portions shown by broken lines are shown for illustrative purposes only and form no part of the claimed design.

1 Claim, 4 Drawing Sheets



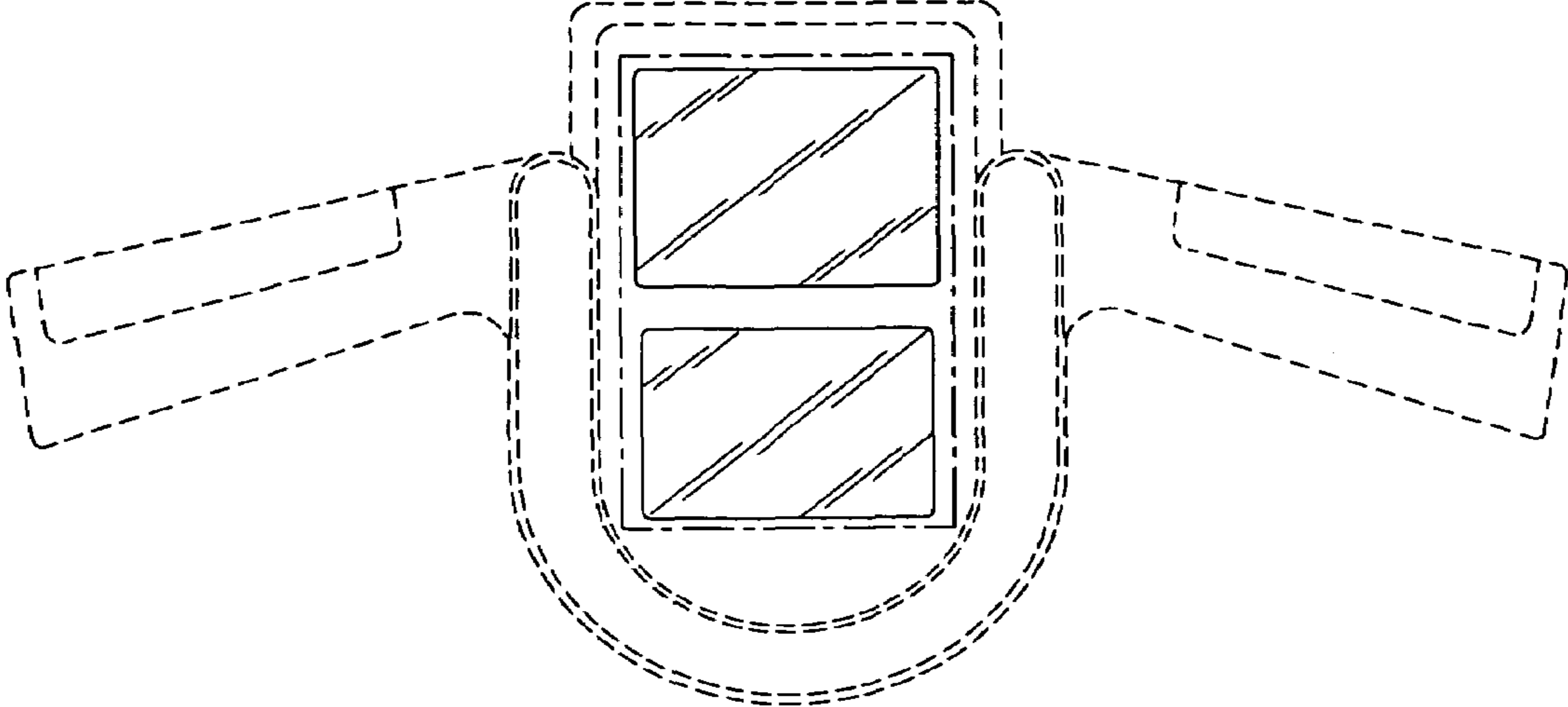


FIG. 1

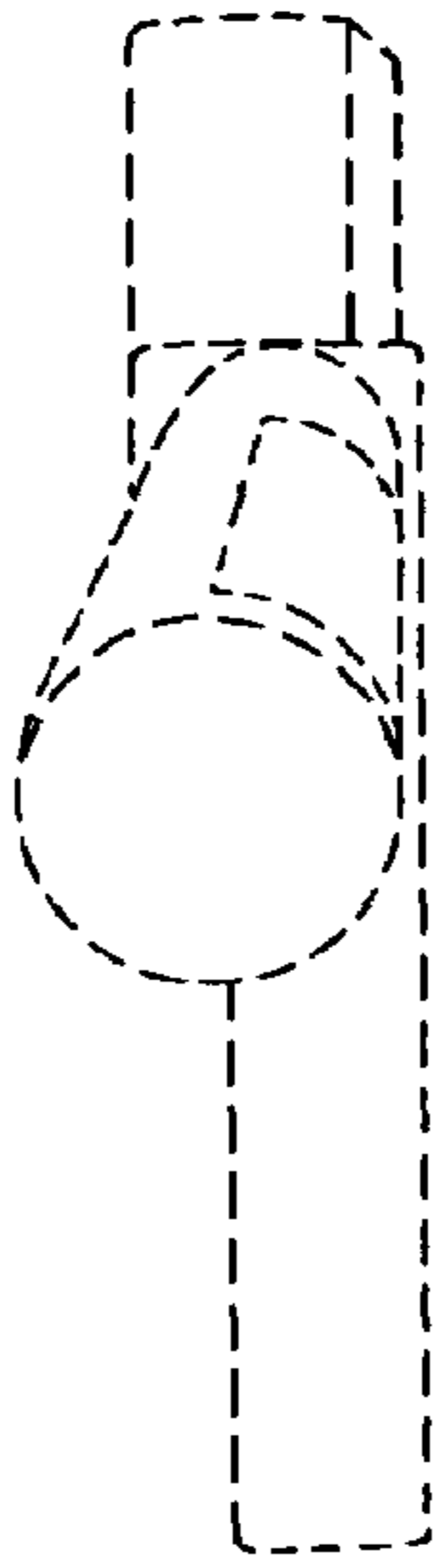


FIG. 2

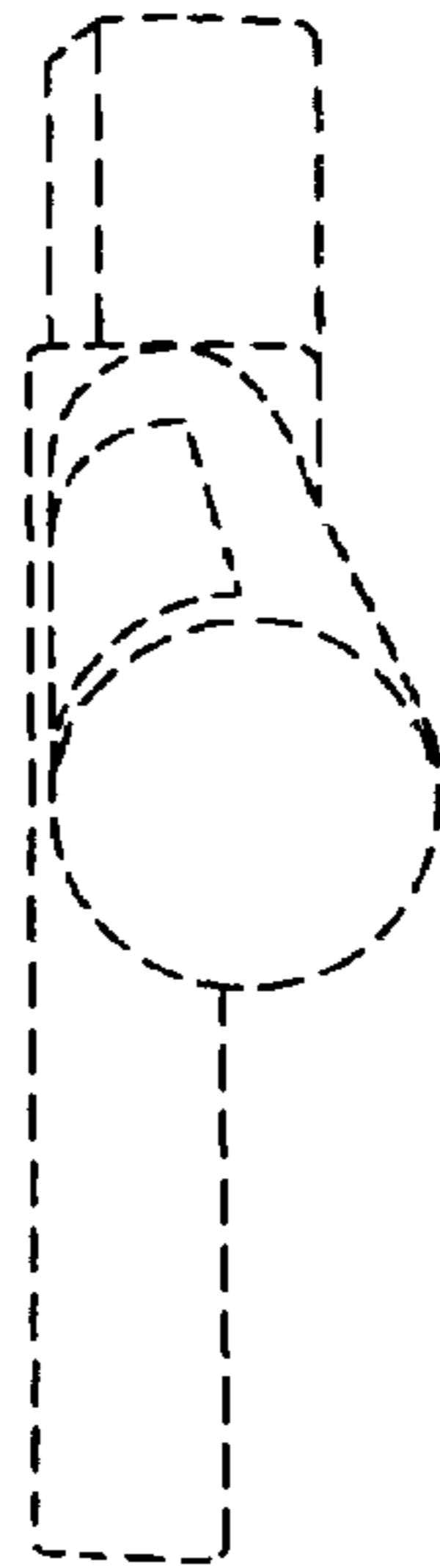


FIG. 3

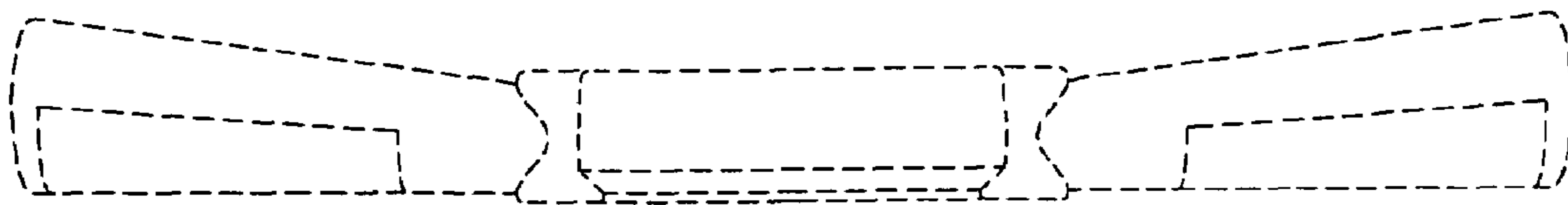


FIG. 4

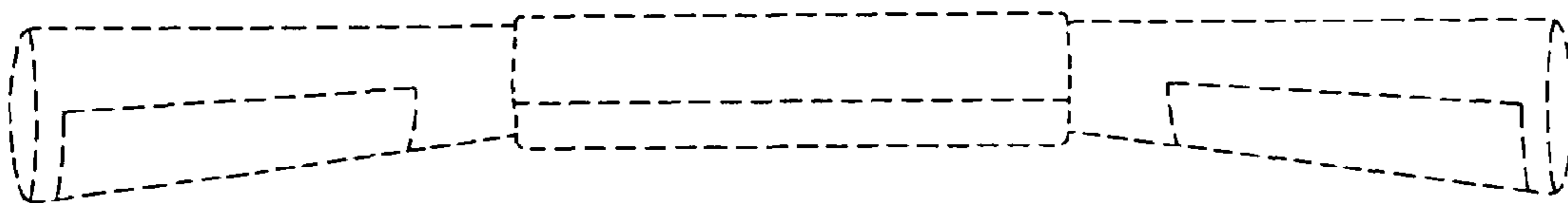


FIG. 5

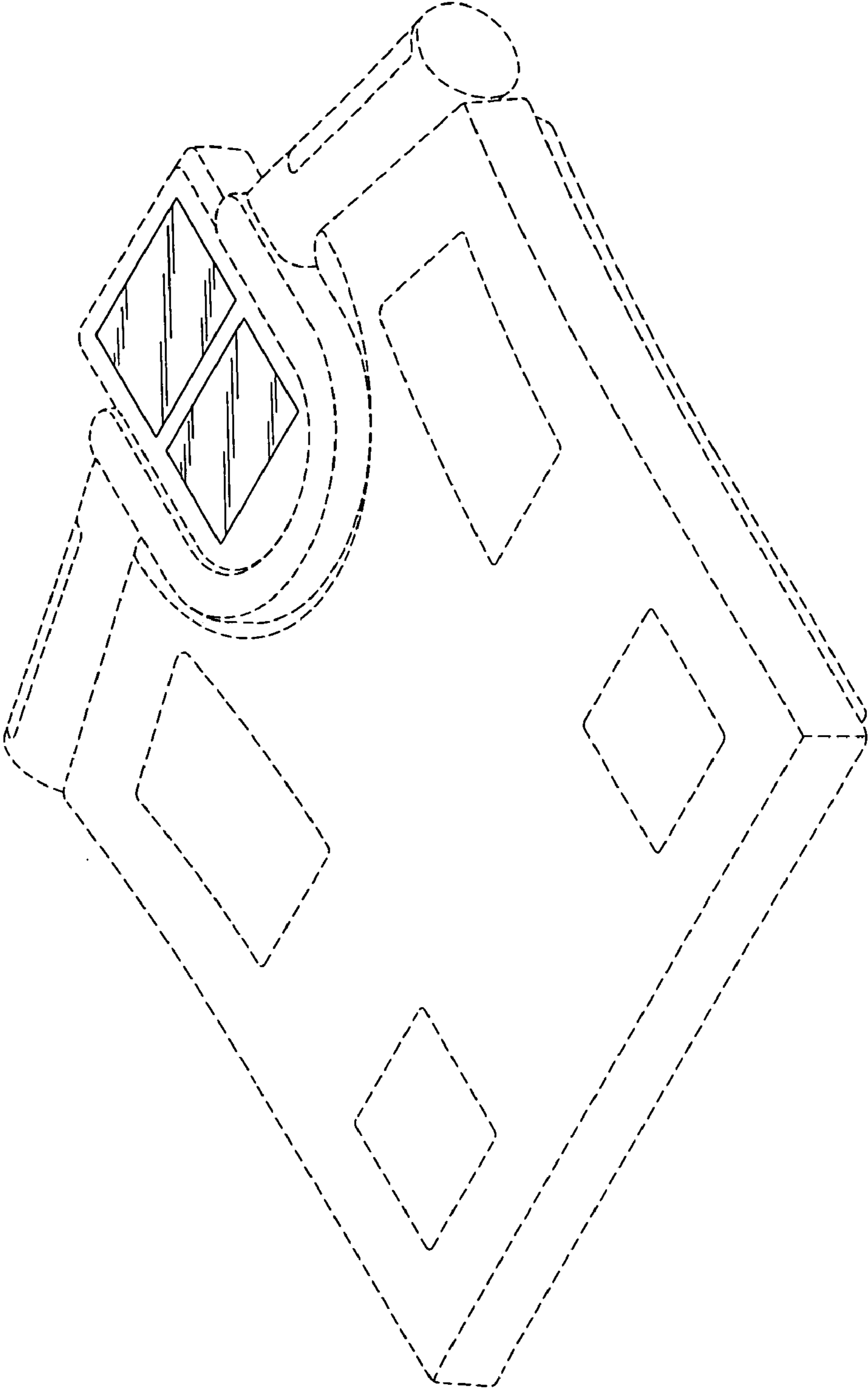


FIG. 6

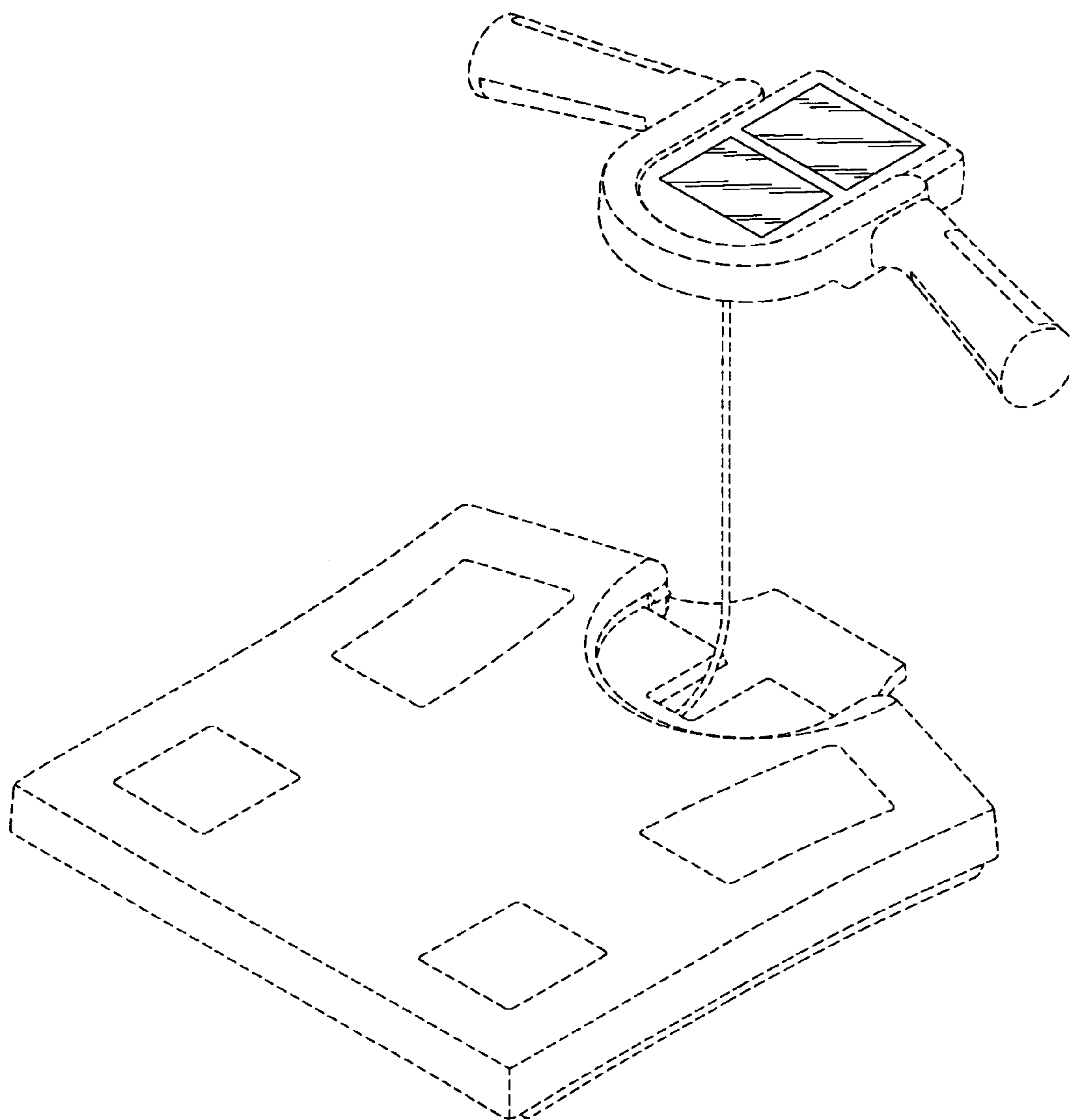


FIG. 7