



US00D578916S

(12) **United States Design Patent**
Kobayakawa et al.

(10) **Patent No.:** **US D578,916 S**
(45) **Date of Patent:** **** Oct. 21, 2008**

(54) **REMOTE CONTROLLER FOR SCALE**

7,275,000 B2 * 9/2007 Howell et al. 702/2

(75) Inventors: **Tatsutoshi Kobayakawa**, Tokyo (JP);
Hajime Matsumoto, Tokyo (JP)

* cited by examiner

Primary Examiner—Antoine D Davis

(73) Assignee: **Tanita Corporation**, Tokyo (JP)

(74) *Attorney, Agent, or Firm*—Frishauf, Holtz, Goodman & Chick, P.C.

(**) Term: **14 Years**

(57) **CLAIM**

(21) Appl. No.: **29/293,148**

The ornamental design for a remote controller for scale, as shown and described.

(22) Filed: **Nov. 7, 2007**

(30) **Foreign Application Priority Data**

DESCRIPTION

May 9, 2007 (JP) 2007-012130

FIG. 1 is a front, right side, bottom perspective view of a remote controller for scale showing our new design;

(51) **LOC (8) Cl.** **10-04**

FIG. 2 is a front elevational view thereof;

(52) **U.S. Cl.** **D10/94**

FIG. 3 is a rear elevational view thereof;

(58) **Field of Classification Search** D10/93–94;
177/236–245, 25.13–25.18; 116/DIG. 32;
600/506, 547

FIG. 4 is a left side view thereof;

FIG. 5 is a right side view thereof;

See application file for complete search history.

FIG. 6 is a top plan view thereof;

FIG. 7 is a bottom plan view thereof;

(56) **References Cited**

FIG. 8 is a front, right side, bottom perspective view thereof showing a state in which this article is closed;

U.S. PATENT DOCUMENTS

- D307,873 S * 5/1990 Hart et al. D10/94
- D308,346 S * 6/1990 Nakagawa et al. D10/94
- D313,565 S * 1/1991 Carnevale D10/94
- D317,134 S * 5/1991 Francis D10/94
- D350,075 S * 8/1994 Reeder D10/94
- D358,590 S * 5/1995 Weirsmann D10/94
- D395,020 S * 6/1998 Reichow et al. D10/94
- D408,308 S * 4/1999 De Breccourt D10/87
- D431,482 S * 10/2000 Marmier D10/94
- 6,665,561 B2 * 12/2003 Baba et al. 600/547
- 6,963,035 B2 * 11/2005 Honda et al. 177/25.19
- 7,146,207 B2 * 12/2006 Masuda et al. 600/547

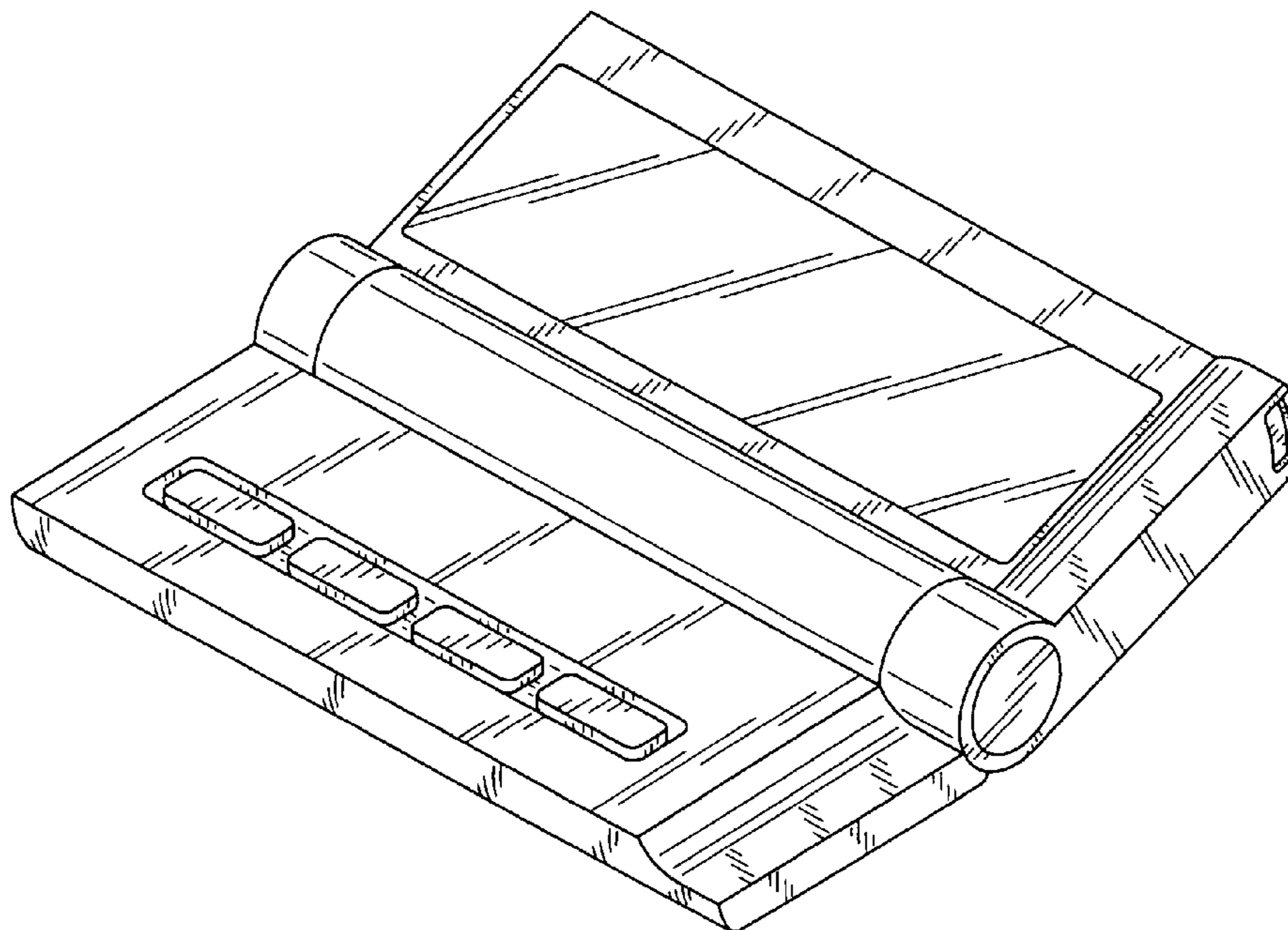
FIG. 9 is a front, left side, top perspective view thereof showing a state in which this article is closed;

FIG. 10 is a reference view thereof showing a state in which this article is used; and,

FIG. 11 is a reference front elevational view thereof showing a state in which this article is electrified.

The portions in broken lines are shown for illustrative purposes only and form no part of the claimed design.

1 Claim, 9 Drawing Sheets



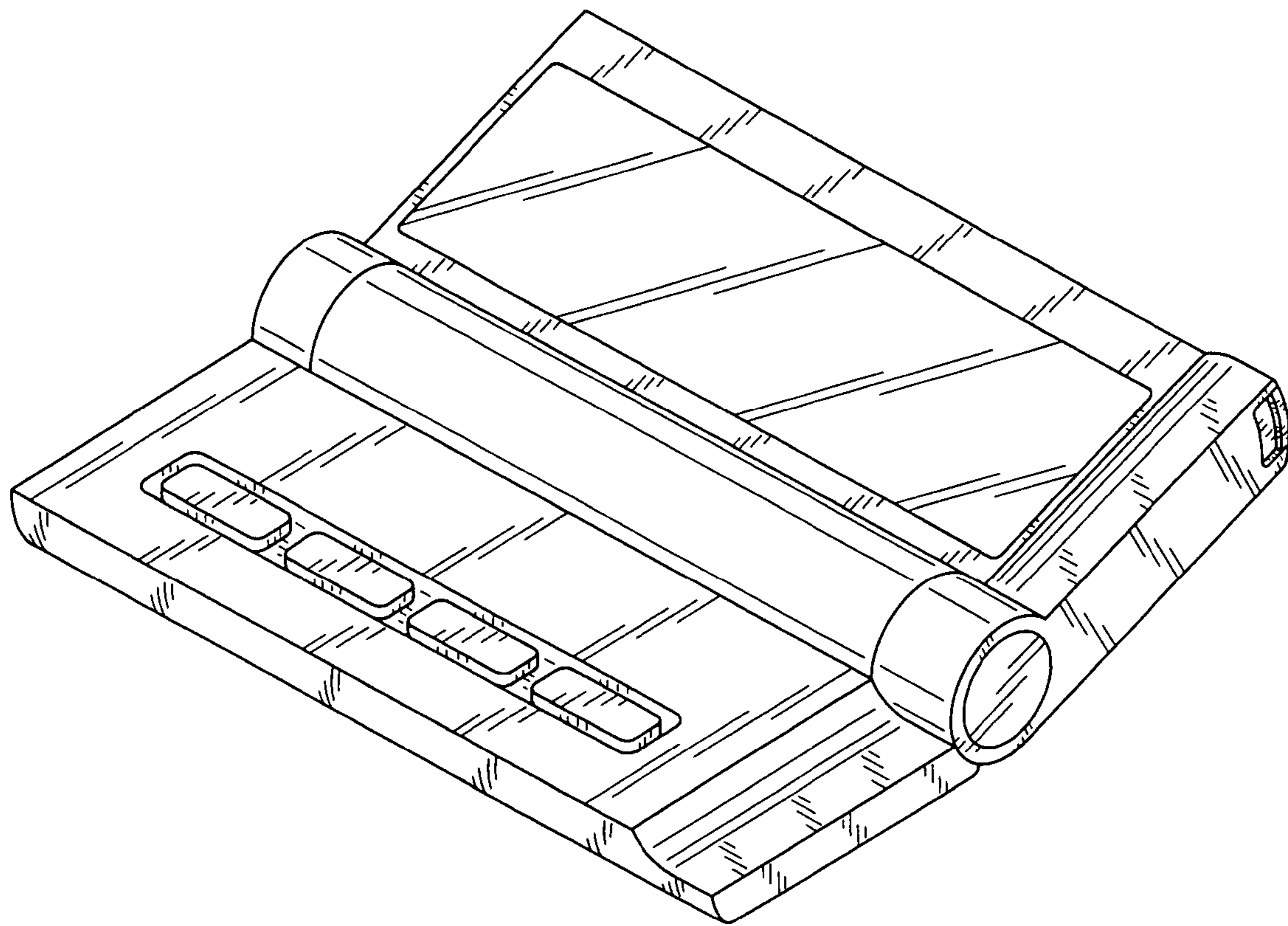


FIG. 1

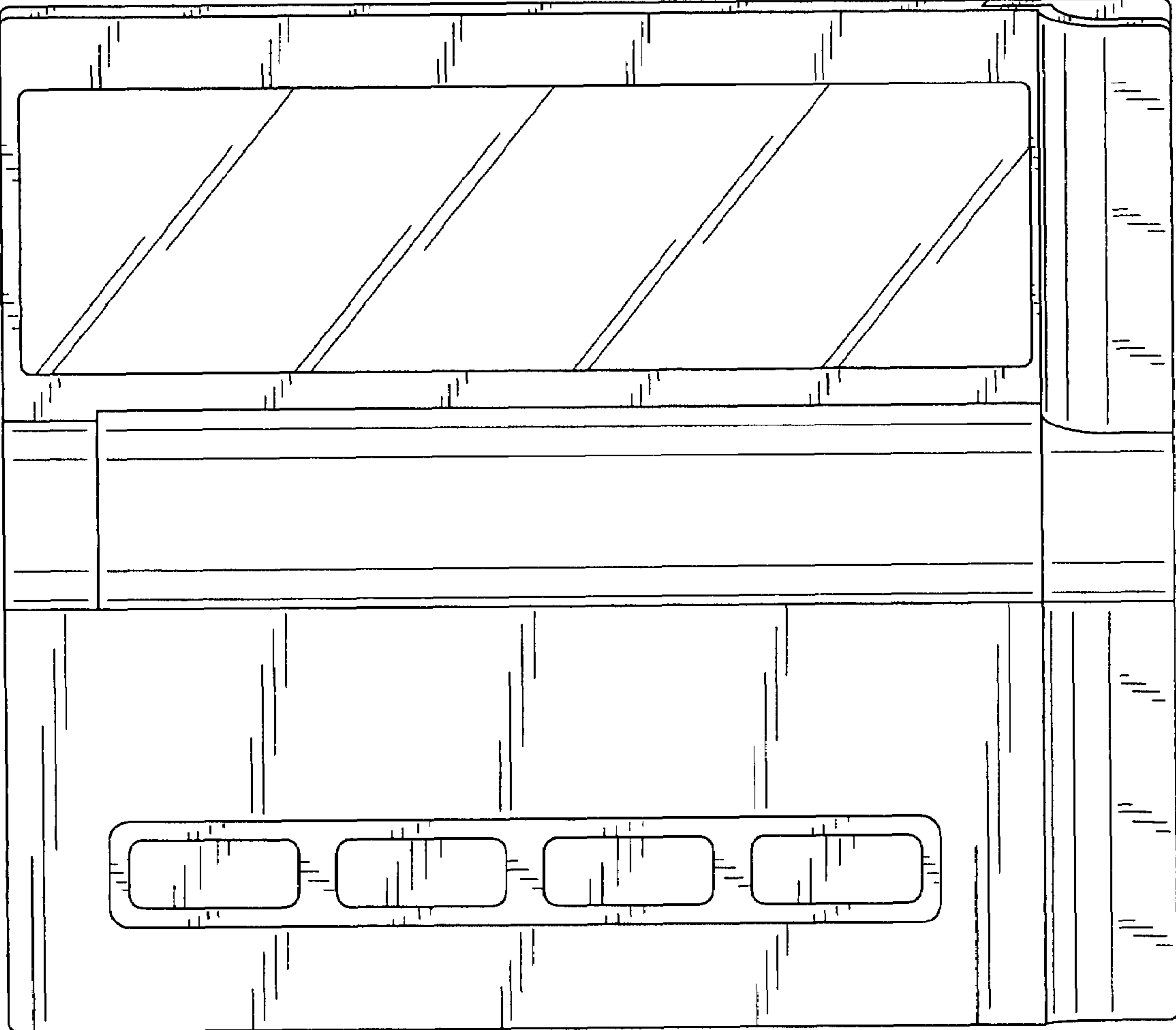


FIG. 2

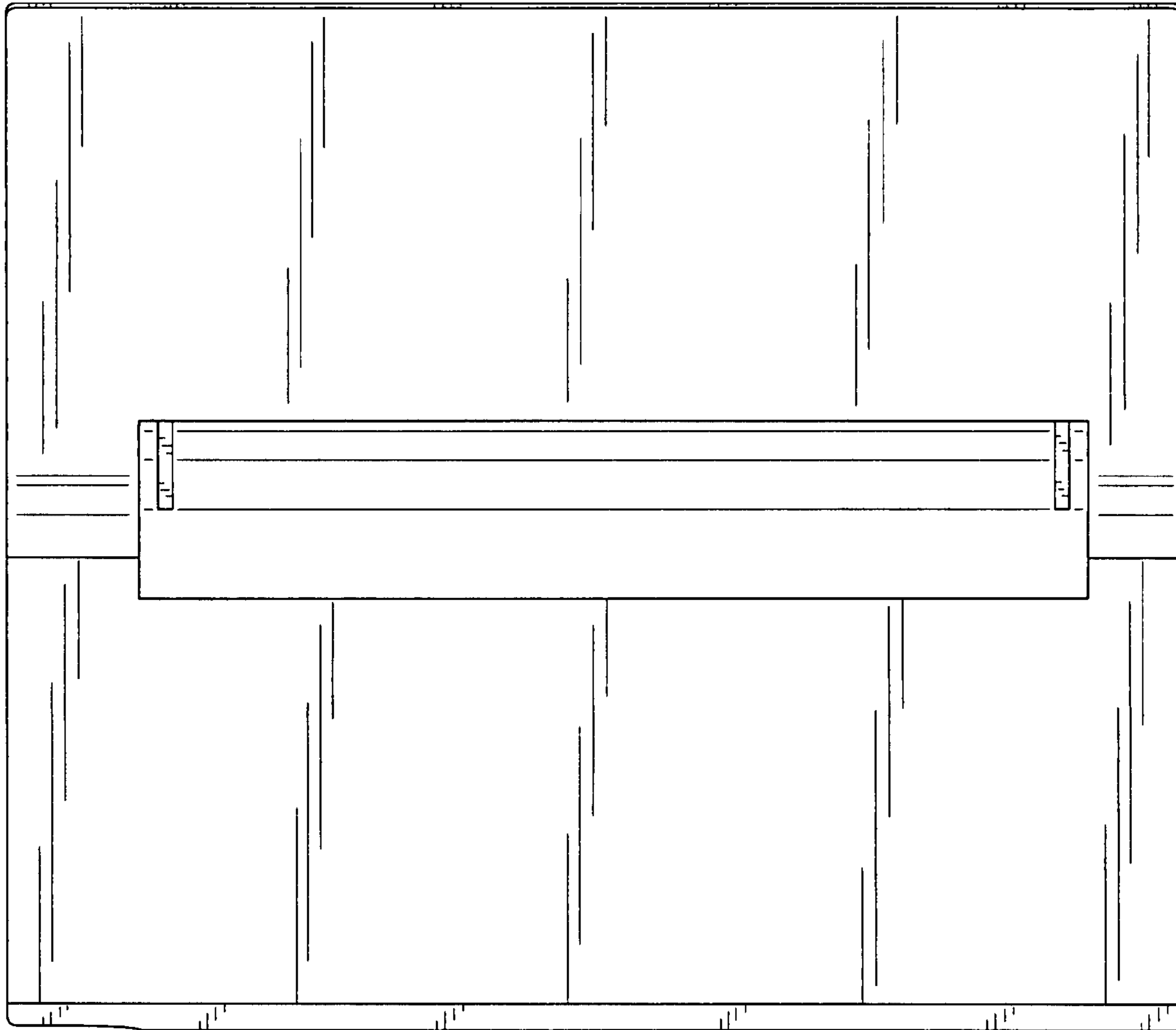


FIG. 3

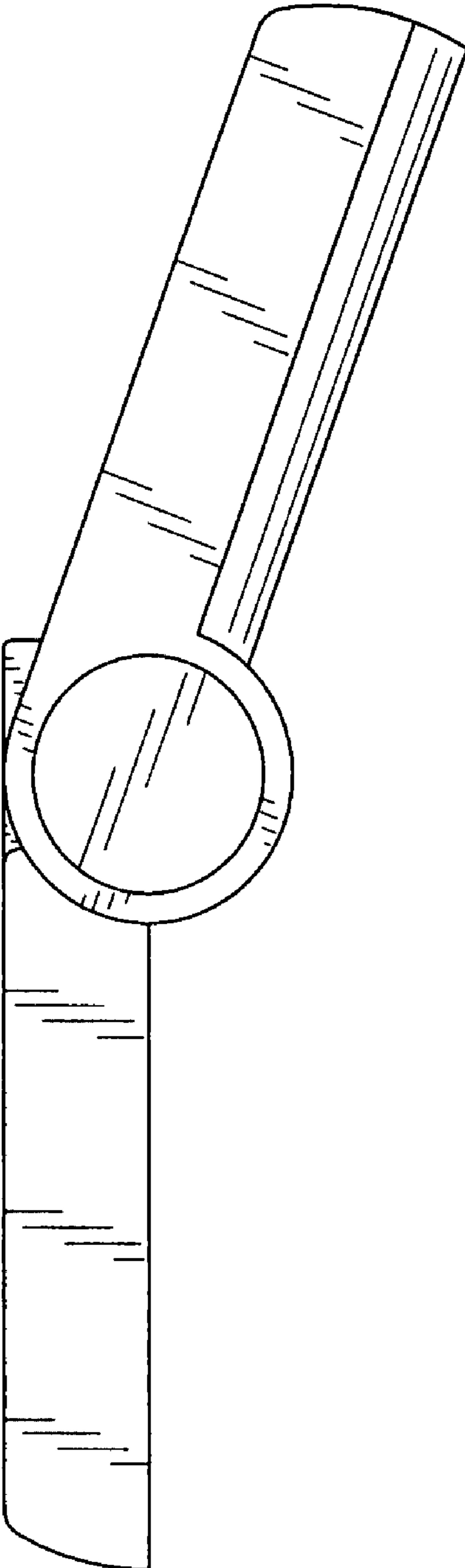


FIG. 4

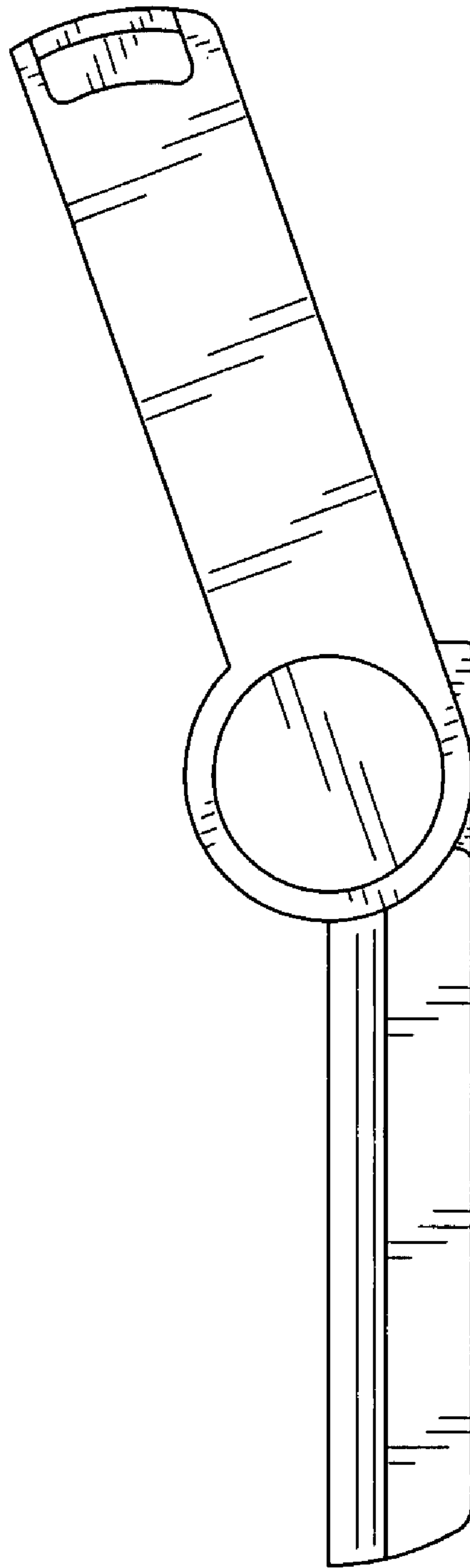


FIG. 5

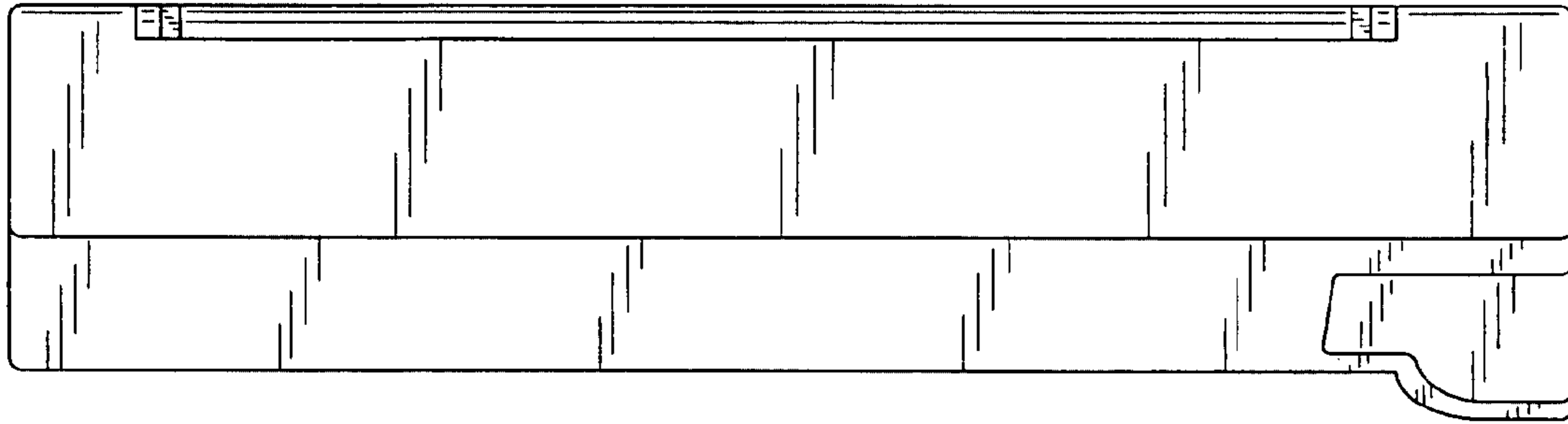


FIG. 6

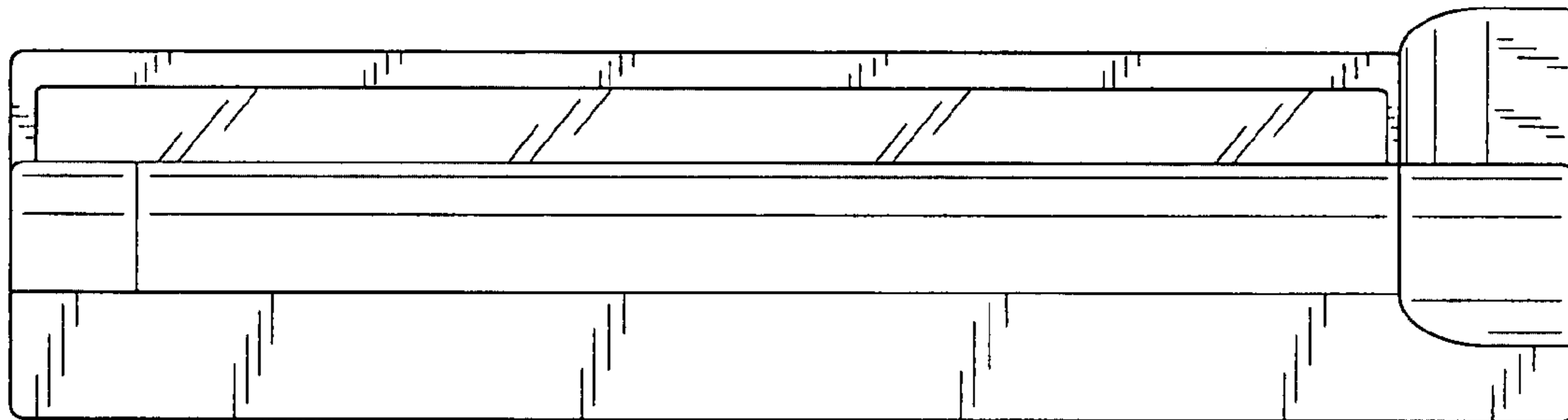


FIG. 7

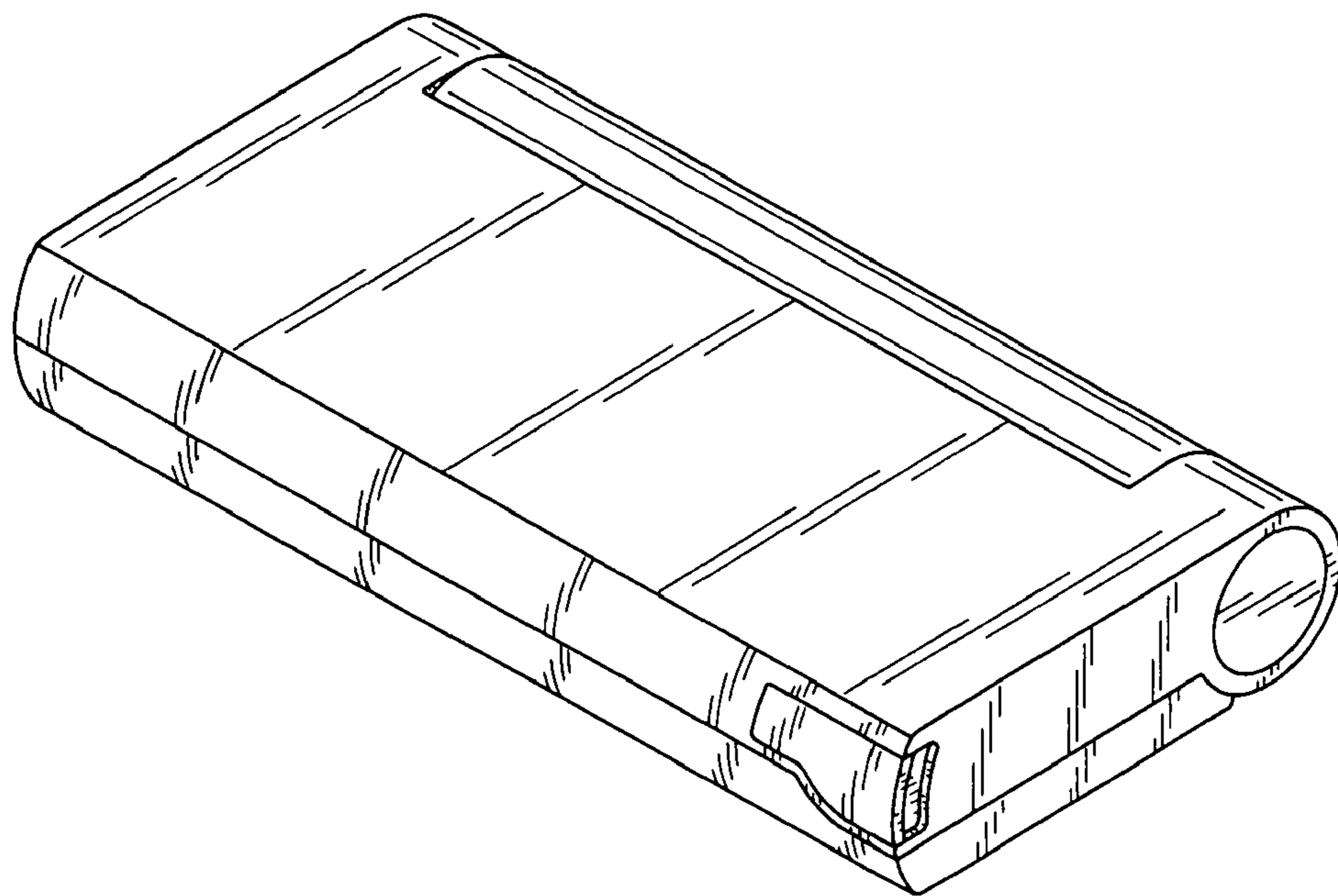


FIG. 8

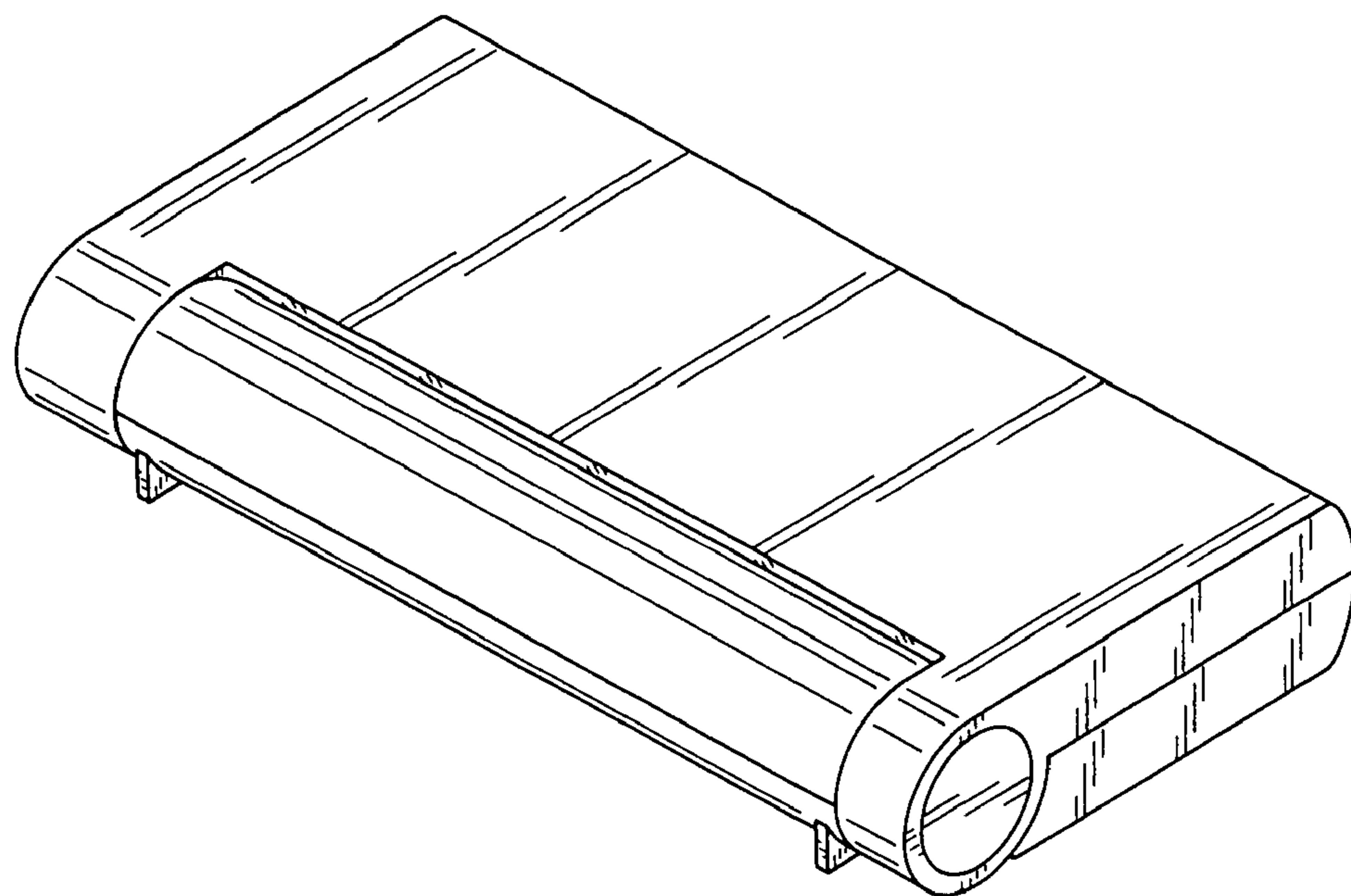


FIG. 9

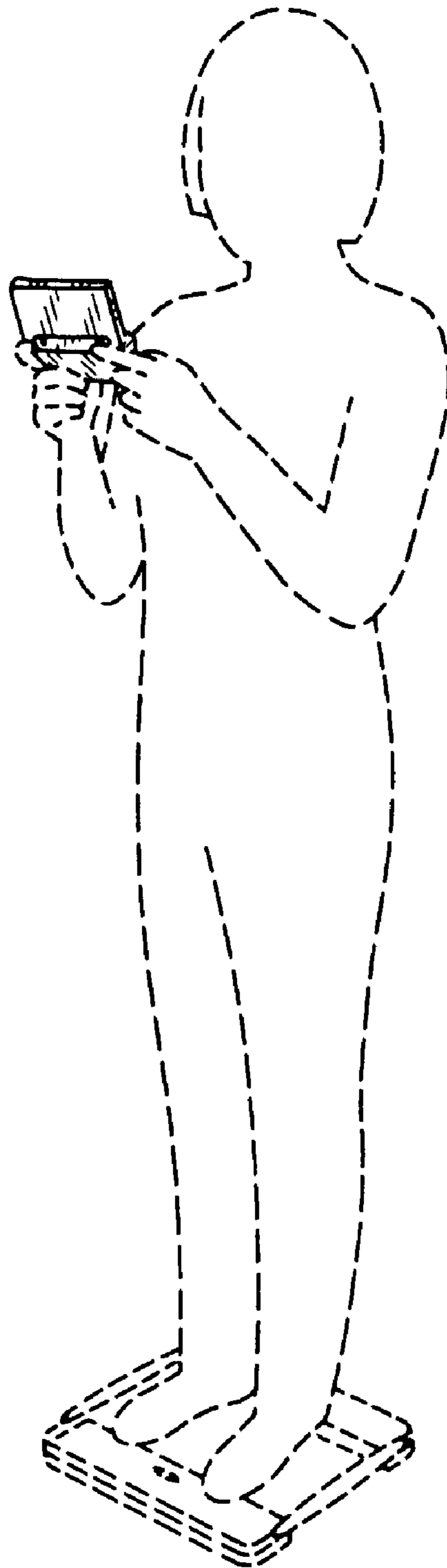


FIG. 10

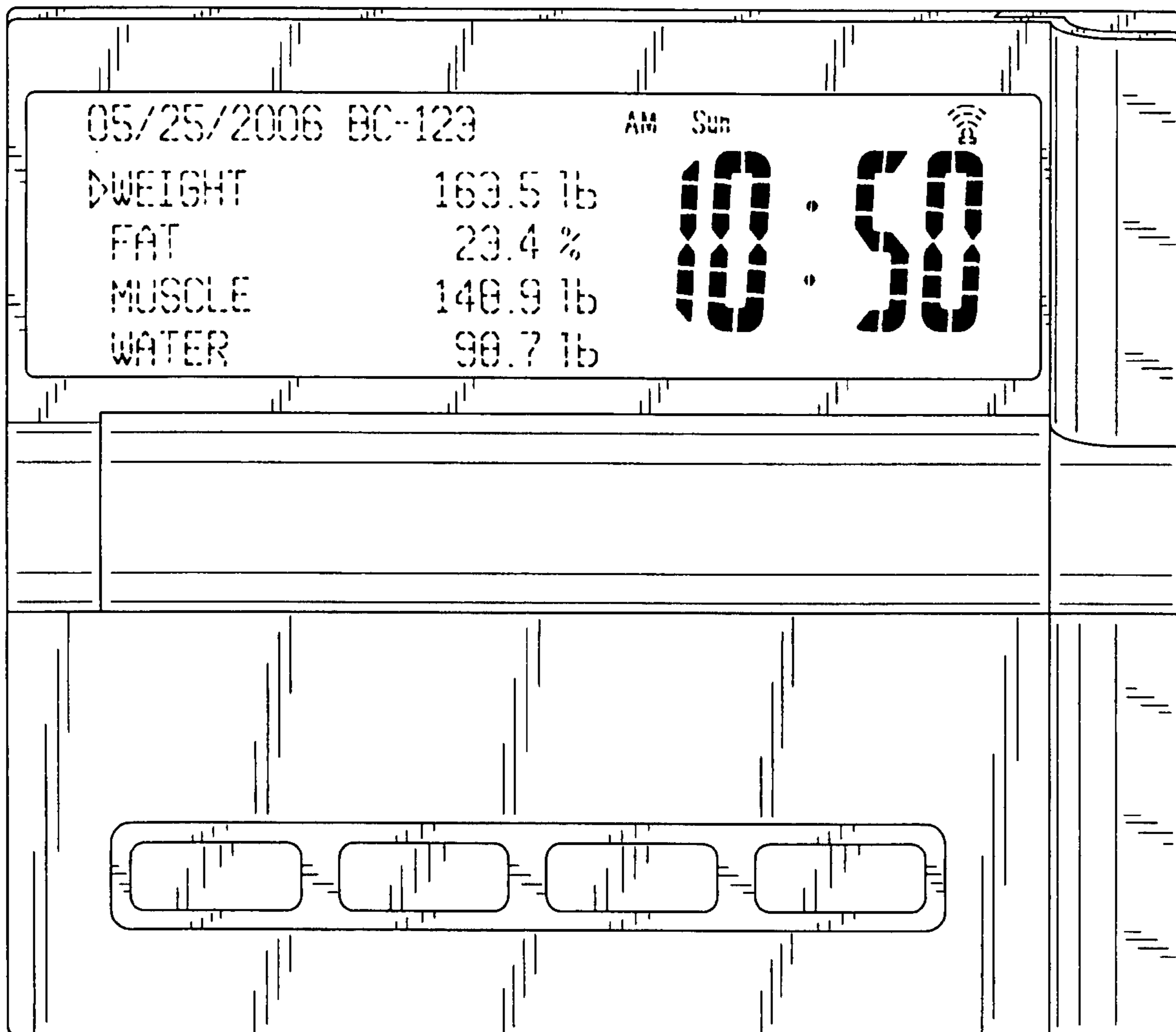


FIG. 11