



US00D578912S

(12) **United States Design Patent**
Kobayakawa et al.

(10) **Patent No.:** **US D578,912 S**

(45) **Date of Patent:** **** Oct. 21, 2008**

(54) **SCALE MAIN BODY**

(75) Inventors: **Tatsutoshi Kobayakawa**, Tokyo (JP);
Hajime Matsumoto, Tokyo (JP)

(73) Assignee: **Tanita Corporation**, Tokyo (JP)

(**) Term: **14 Years**

(21) Appl. No.: **29/293,149**

(22) Filed: **Nov. 7, 2007**

(30) **Foreign Application Priority Data**

May 9, 2007 (JP) 2007-012129

(51) **LOC (8) Cl.** **10-04**

(52) **U.S. Cl.** **D10/92**

(58) **Field of Classification Search** D10/92,
D10/94; 177/211, 239–245, 25.13–25.18,
177/177, 199, 210 C, 210 R, DIG. 3, 262,
177/4, 30, 126–127; 600/506, 547

See application file for complete search history.

(56) **References Cited**

U.S. PATENT DOCUMENTS

- D493,115 S * 7/2004 Juteau D10/92
- D498,159 S * 11/2004 Joss et al. D10/92
- D498,690 S * 11/2004 Joss et al. D10/92
- 7,022,920 B2 * 4/2006 Hulburt et al. 177/126
- D528,936 S * 9/2006 Kuskovsky et al. D10/92

- D546,222 S * 7/2007 Gutmann et al. D10/92
- D551,106 S * 9/2007 Petrucelli et al. D10/92
- 7,339,123 B2 * 3/2008 Yamashita 177/238

* cited by examiner

Primary Examiner—Antoine D Davis

(74) *Attorney, Agent, or Firm*—Frishauf, Holtz, Goodman & Chick, P.C.

(57) **CLAIM**

The ornamental design for a scale main body, as shown and described.

DESCRIPTION

FIG. 1 is a front, right side, bottom perspective view of a scale main body showing our new design;

FIG. 2 is a front elevational view thereof;

FIG. 3 is a rear elevational view thereof;

FIG. 4 is a left side view thereof;

FIG. 5 is a right side view thereof;

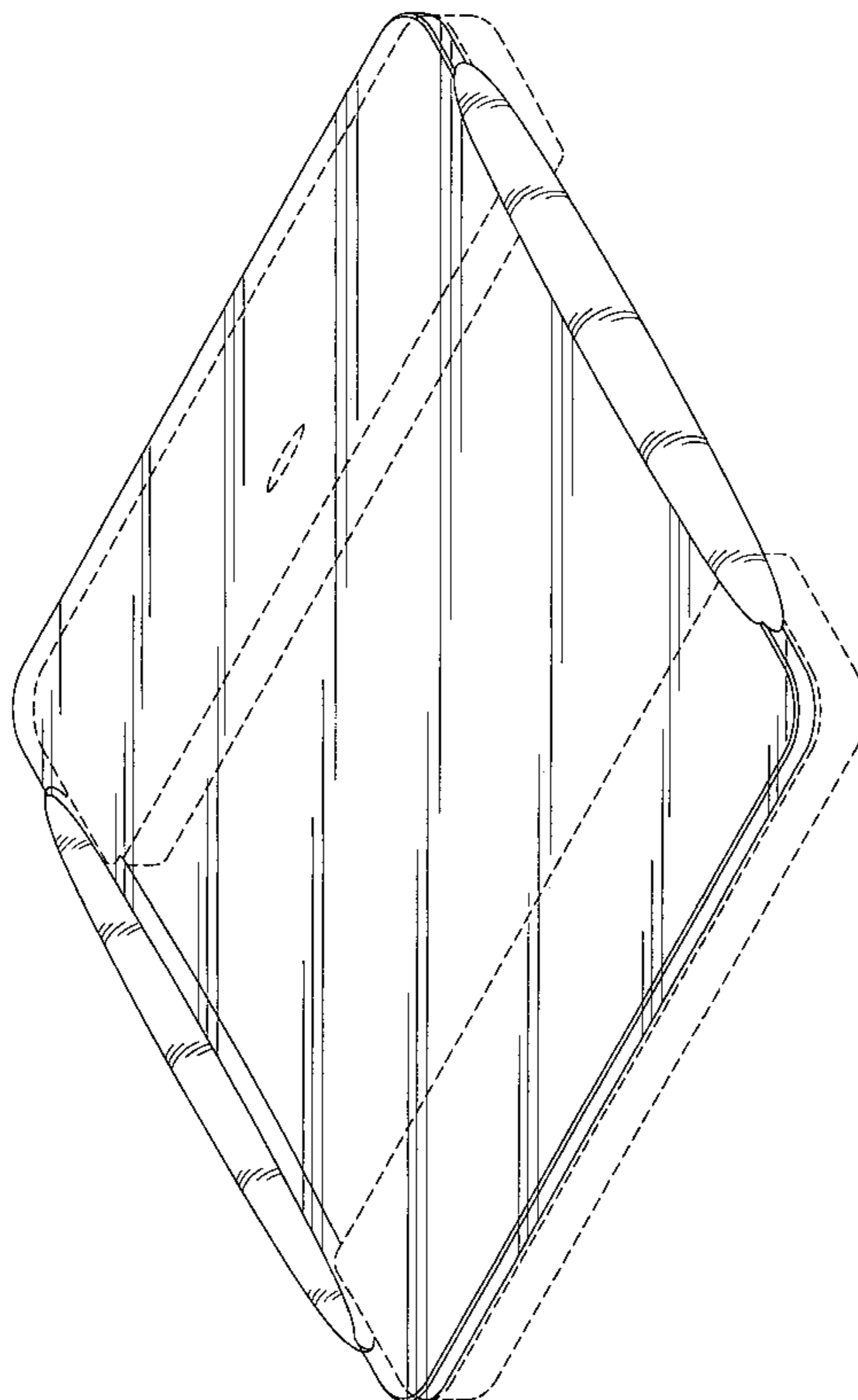
FIG. 6 is a top plan view thereof;

FIG. 7 is a bottom plan view thereof; and,

FIG. 8 is a reference view thereof showing a state in which this article is used.

The portions in broken lines are shown for illustrative purposes only and form no part of the claimed design.

1 Claim, 7 Drawing Sheets



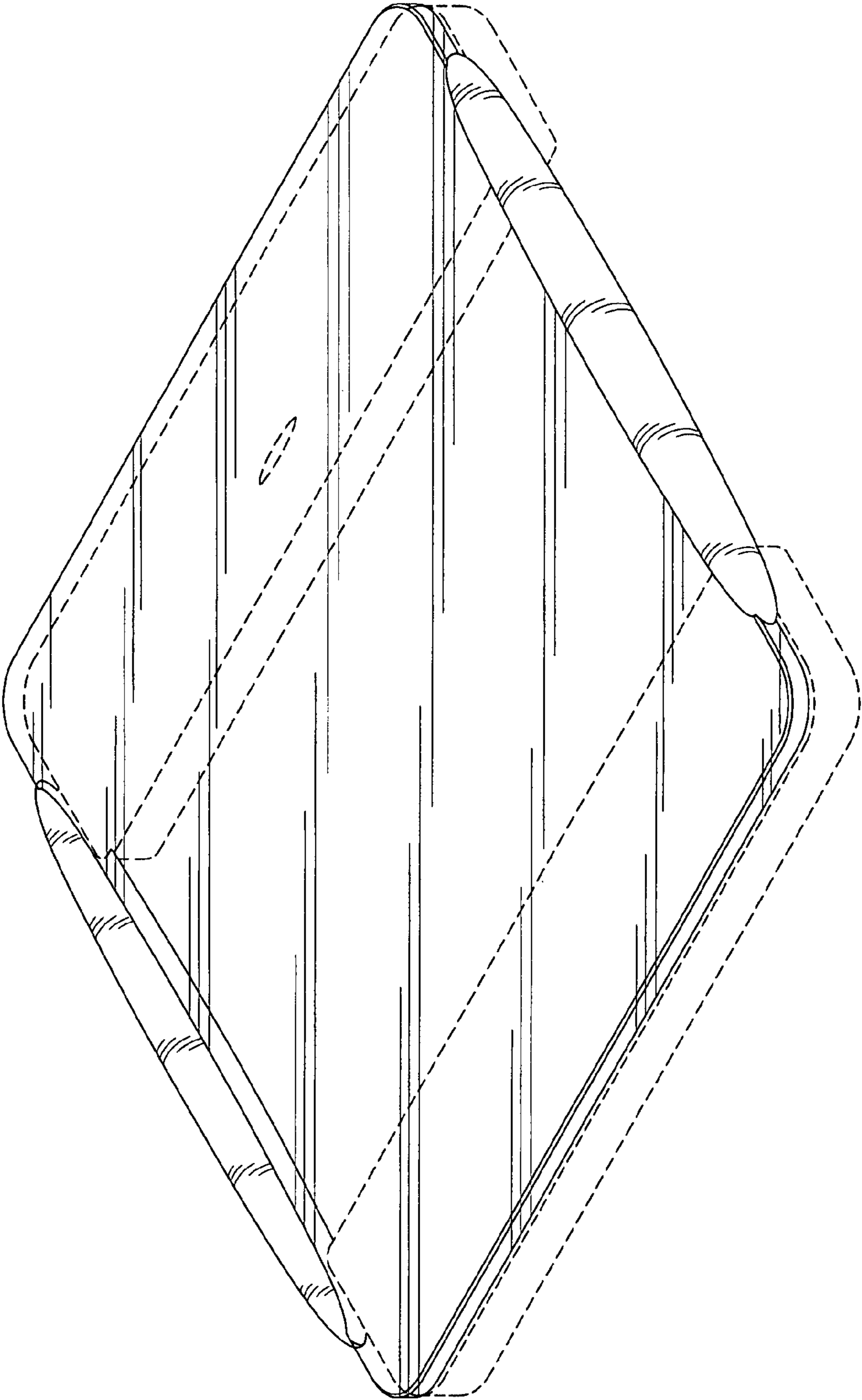


FIG. 1

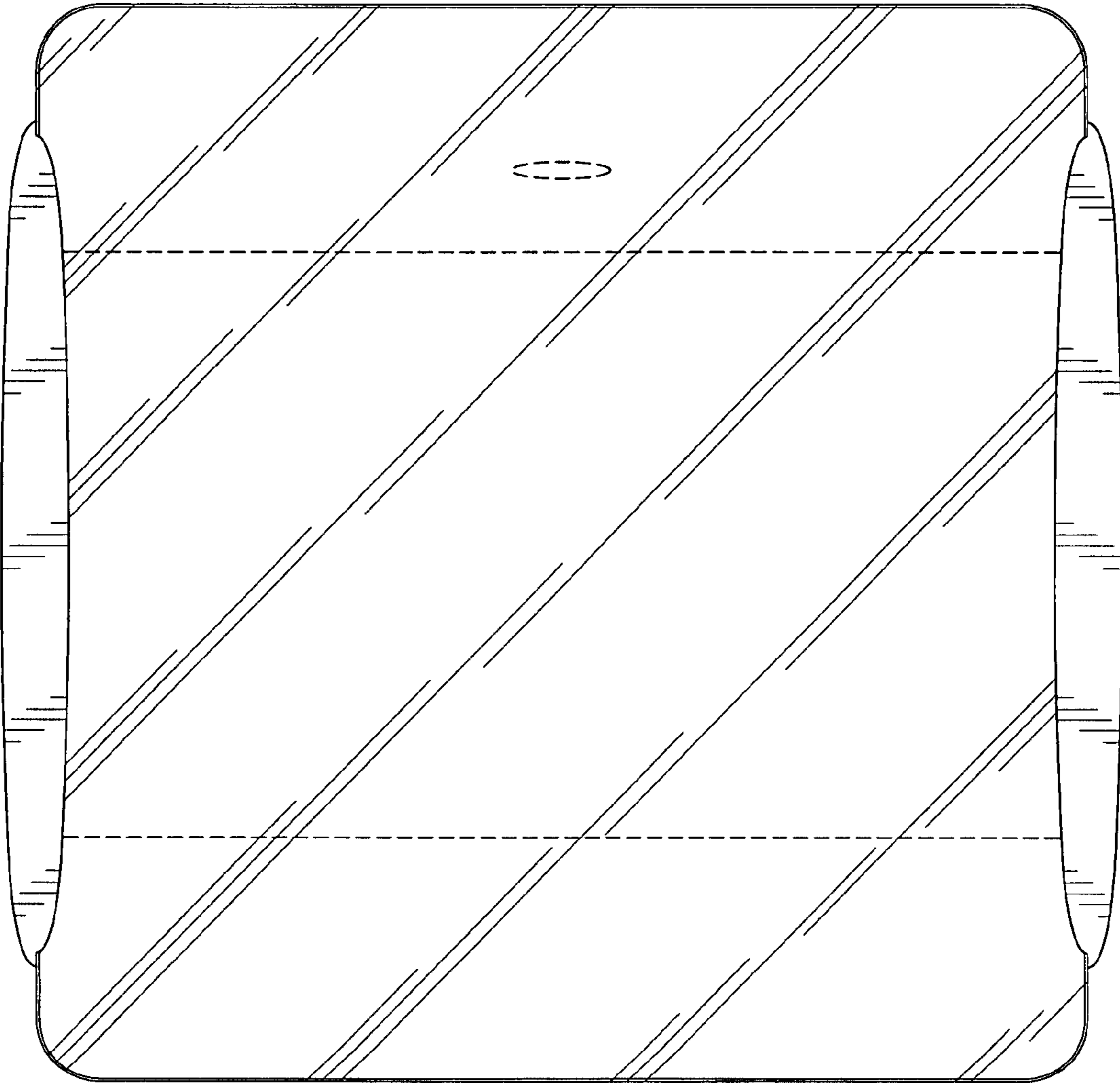


FIG. 2

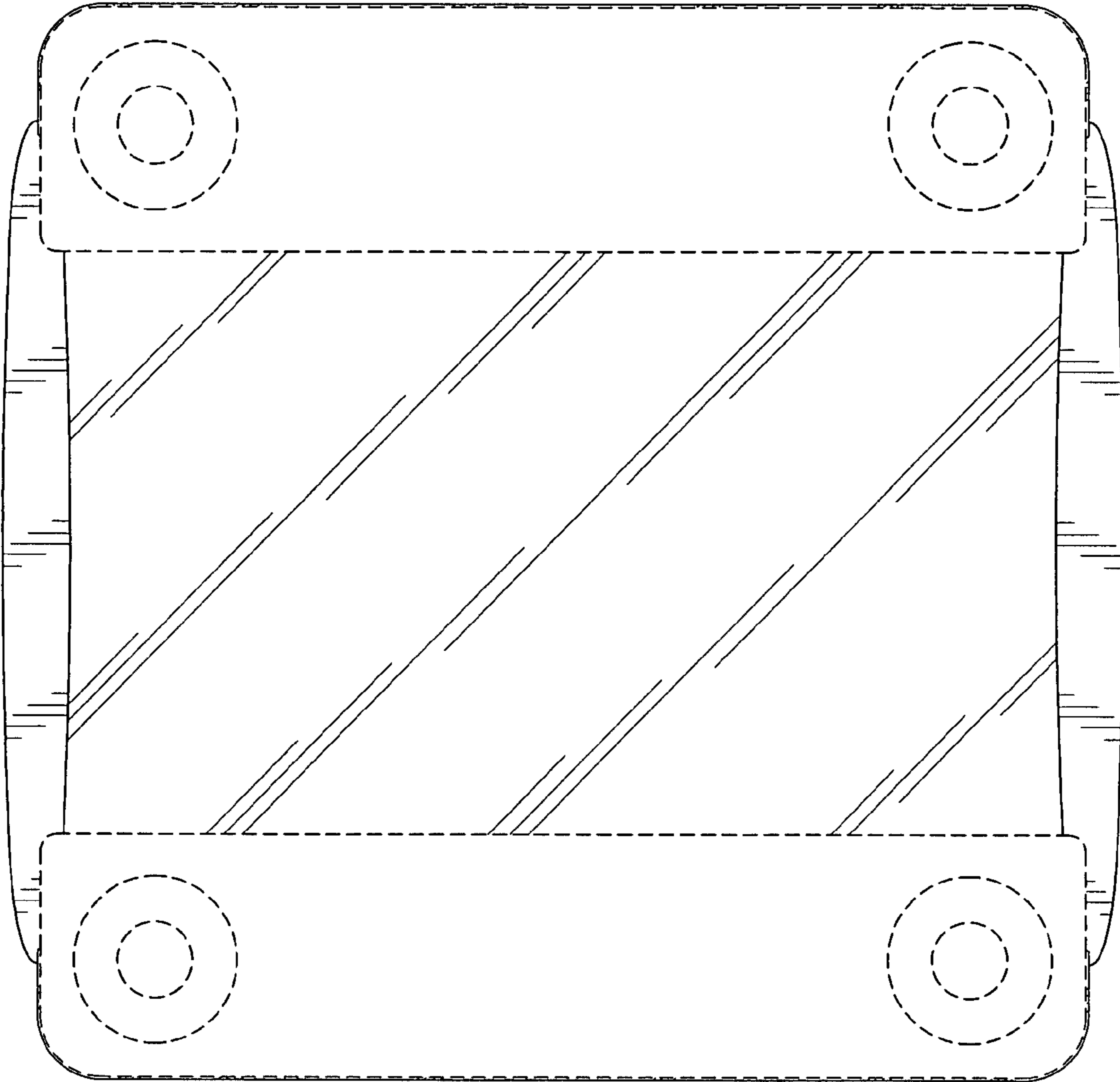


FIG. 3

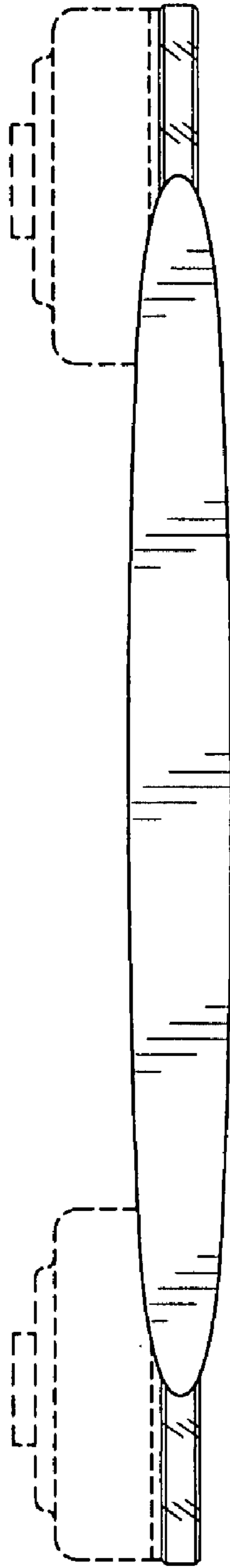


FIG. 4

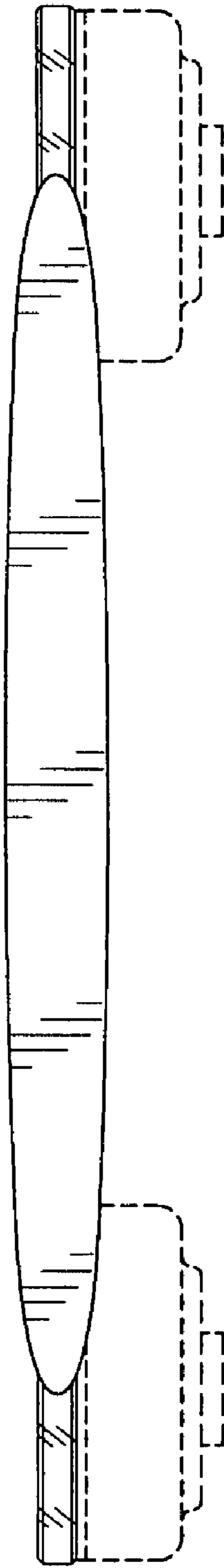


FIG. 5

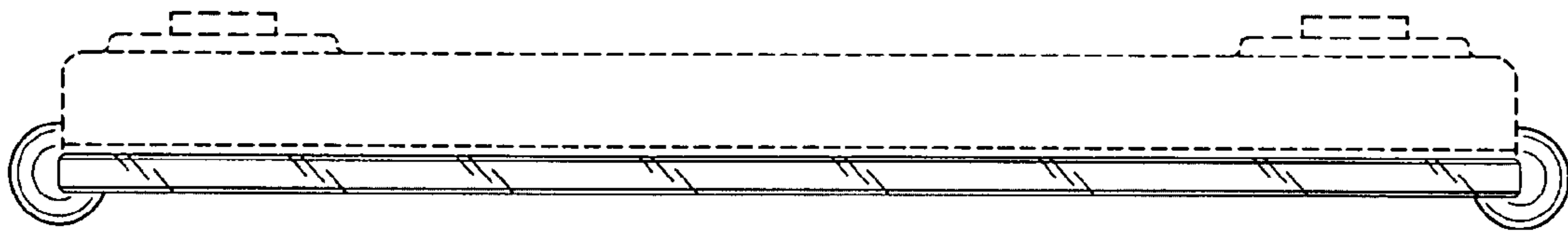


FIG. 6

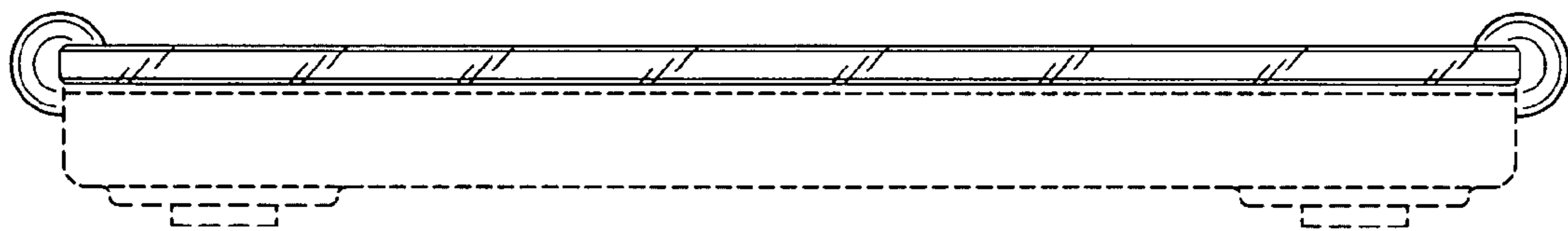


FIG. 7

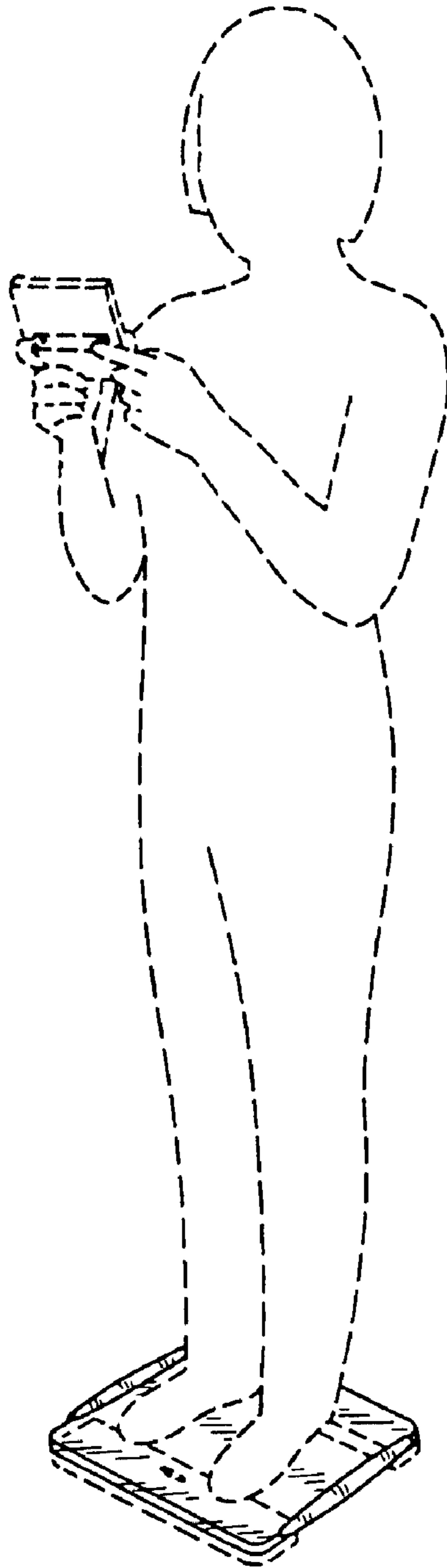


FIG. 8