

US00D578910S

(12) **United States Design Patent**
Deguglimo et al.

(10) **Patent No.:** **US D578,910 S**

(45) **Date of Patent:** **** Oct. 21, 2008**

(54) **TAPE MEASURE**

D568,188 S * 5/2008 Chen D10/72

(75) Inventors: **Joe Deguglimo**, Boca Raton, FL (US);
Michael Garcia, Oakland Park, FL
(US); **Glenn Robinson**, Coral Springs,
FL (US)

* cited by examiner

Primary Examiner—Antoine D Davis
(74) *Attorney, Agent, or Firm*—Steven M. Greenberg, Esq.;
Scott D. Paul, Esq.; Carey Rodriguez Greenberg & Paul LLP

(73) Assignee: **IBT Holdings, LLC**, Coral Springs, FL
(US)

(57) **CLAIM**

(**) Term: **14 Years**

The ornamental design for a tape measure, as shown and described.

(21) Appl. No.: **29/305,744**

DESCRIPTION

(22) Filed: **Mar. 27, 2008**

FIG. 1 is a front view of a tape measure according to my new design.

(51) **LOC (8) Cl.** **10-04**

FIG. 2 is a rear view of the tape measure thereof.

(52) **U.S. Cl.** **D10/72**

FIG. 3 is a right side view of the tape measure thereof.

(58) **Field of Classification Search** D10/72;

FIG. 4 is a left side view of the tape measure thereof.

33/788-771; 242/292, 381.1, 381.2, 381.3,

FIG. 5 is a top view of the tape measure thereof.

242/381.4, 381.5, 381.6

FIG. 6 is a bottom view of the tape measure thereof.

See application file for complete search history.

FIG. 7 is a front view perspective of the tape measure thereof; and,

(56) **References Cited**

U.S. PATENT DOCUMENTS

D507,197 S * 7/2005 Sun D10/72

7,065,896 B1 * 6/2006 Lin 33/767

D533,796 S * 12/2006 Radivojevic et al. D10/72

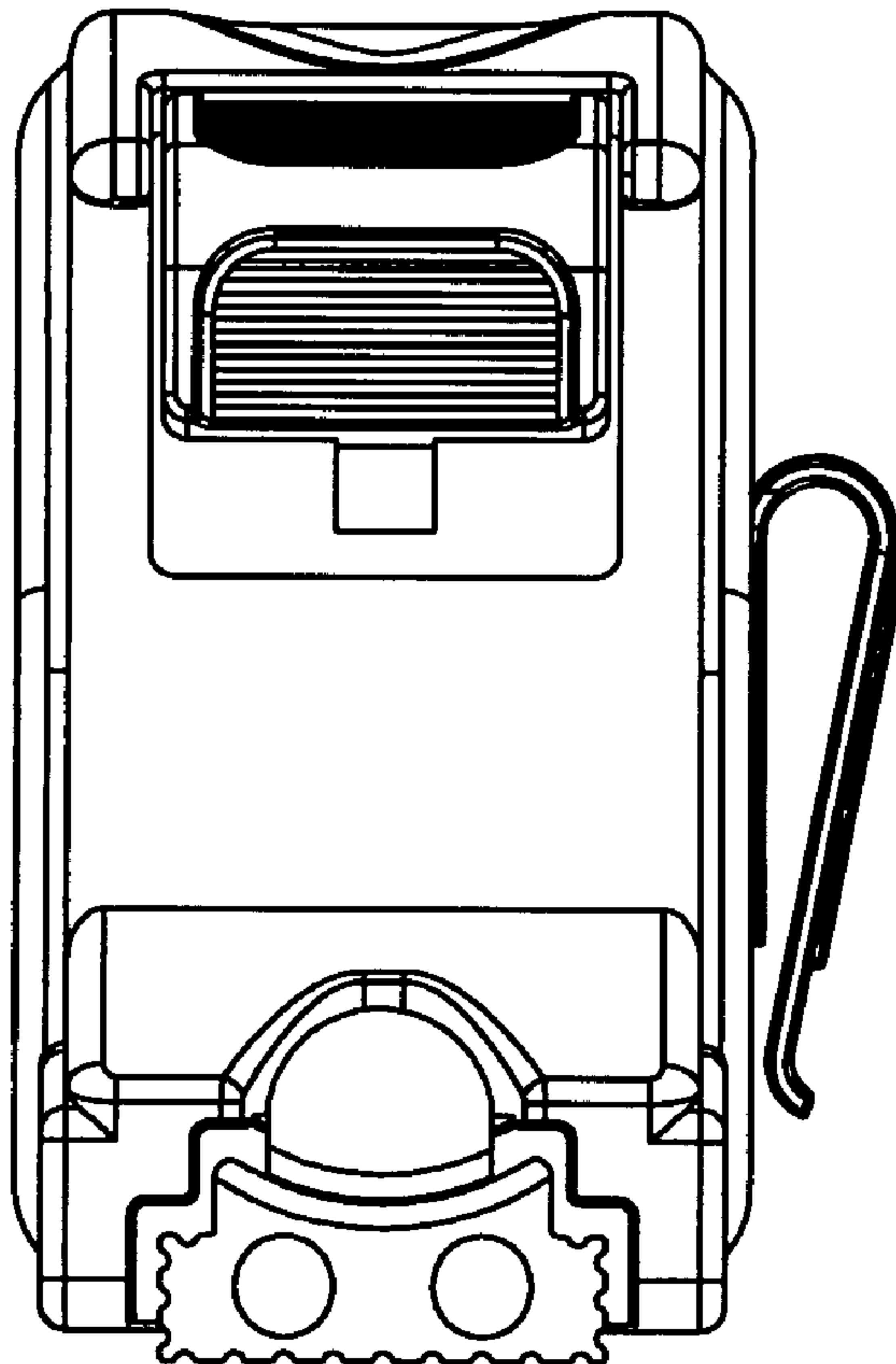
D554,011 S * 10/2007 Levick D10/72

D560,522 S * 1/2008 Farnworth et al. D10/72

FIG. 8 is a rear view perspective of the tape measure thereof.

The broken lines are for illustrative purposes only and form no part of the claimed design.

1 Claim, 8 Drawing Sheets



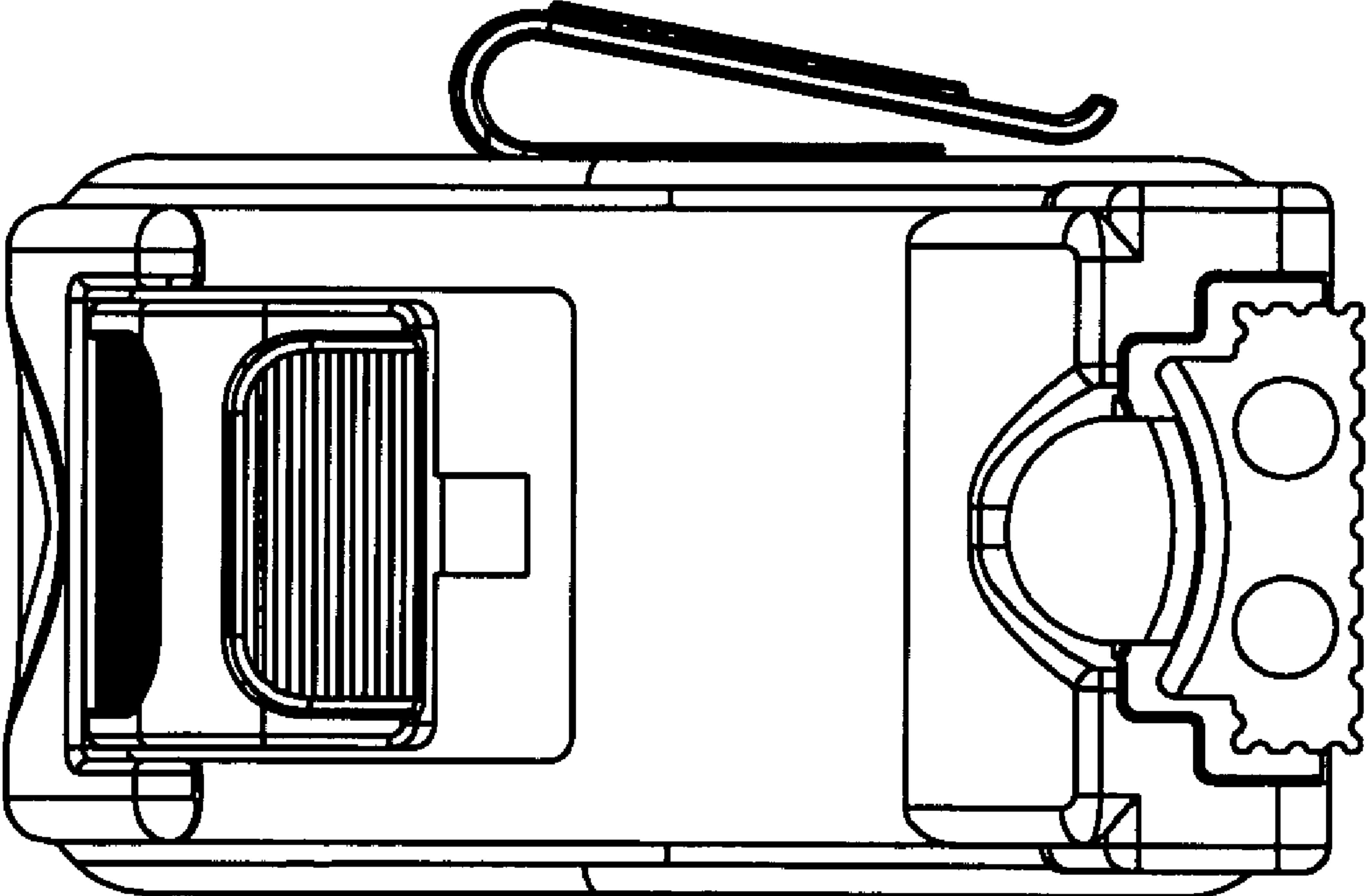


Fig. 1

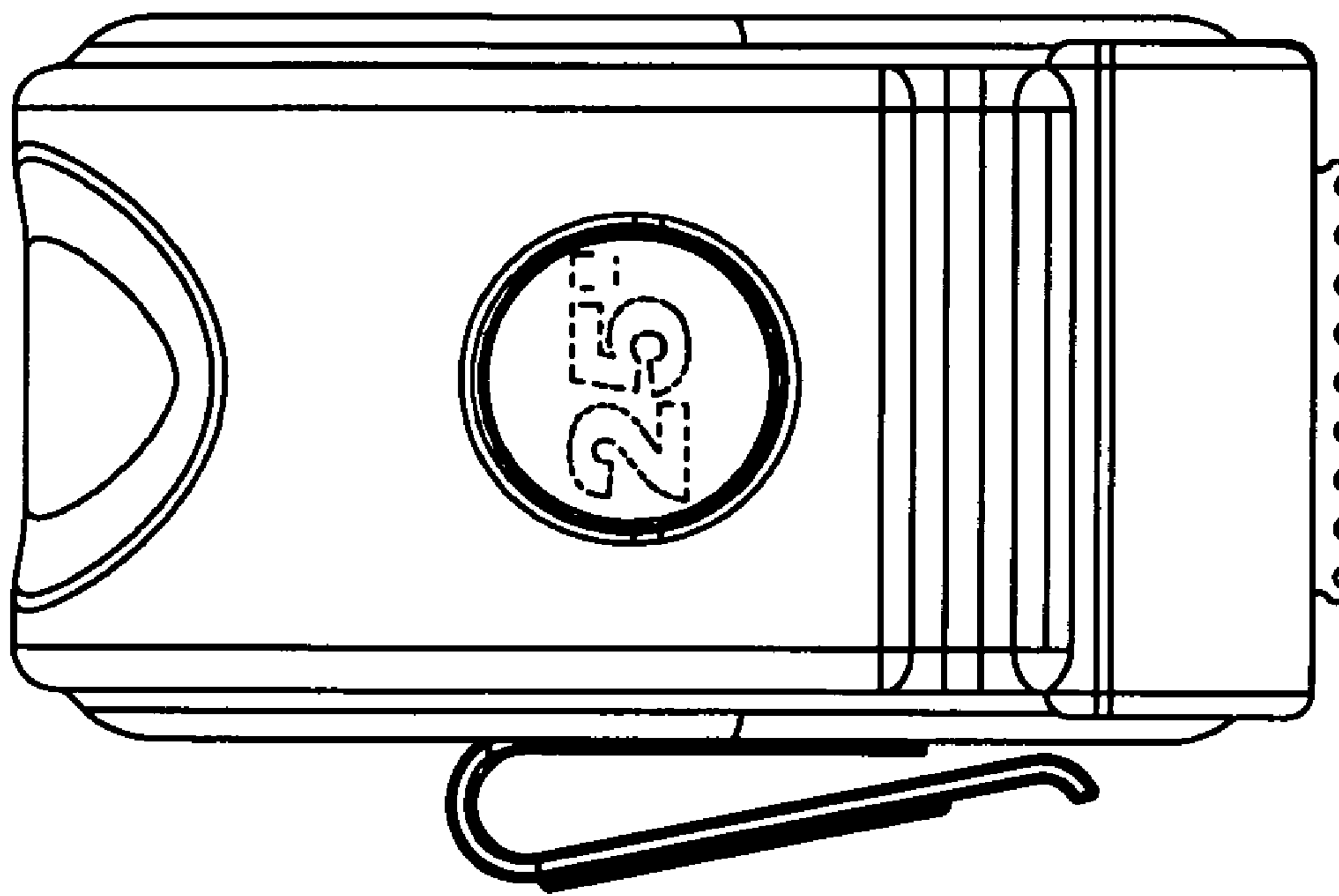


Fig. 2

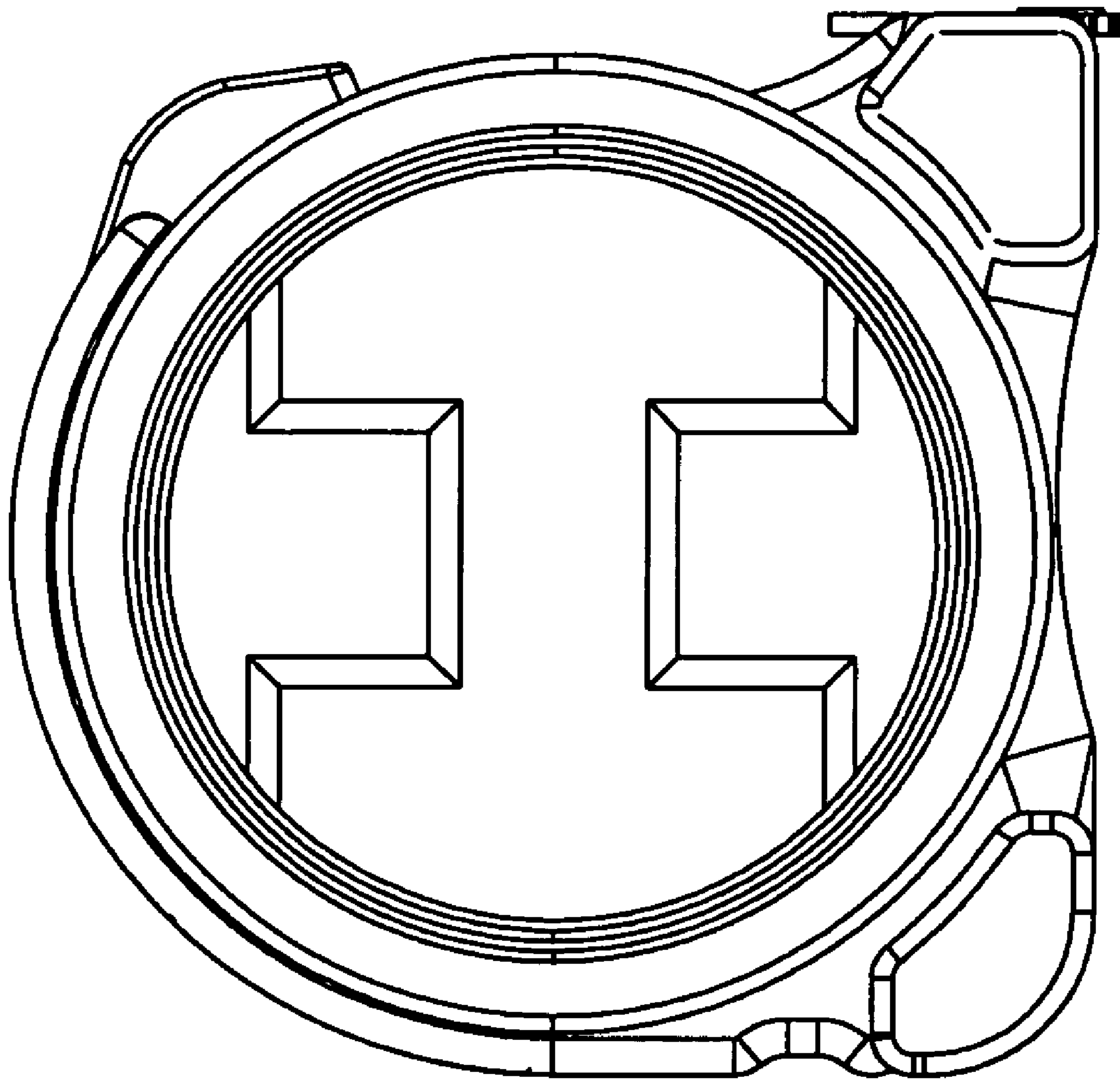


Fig. 3

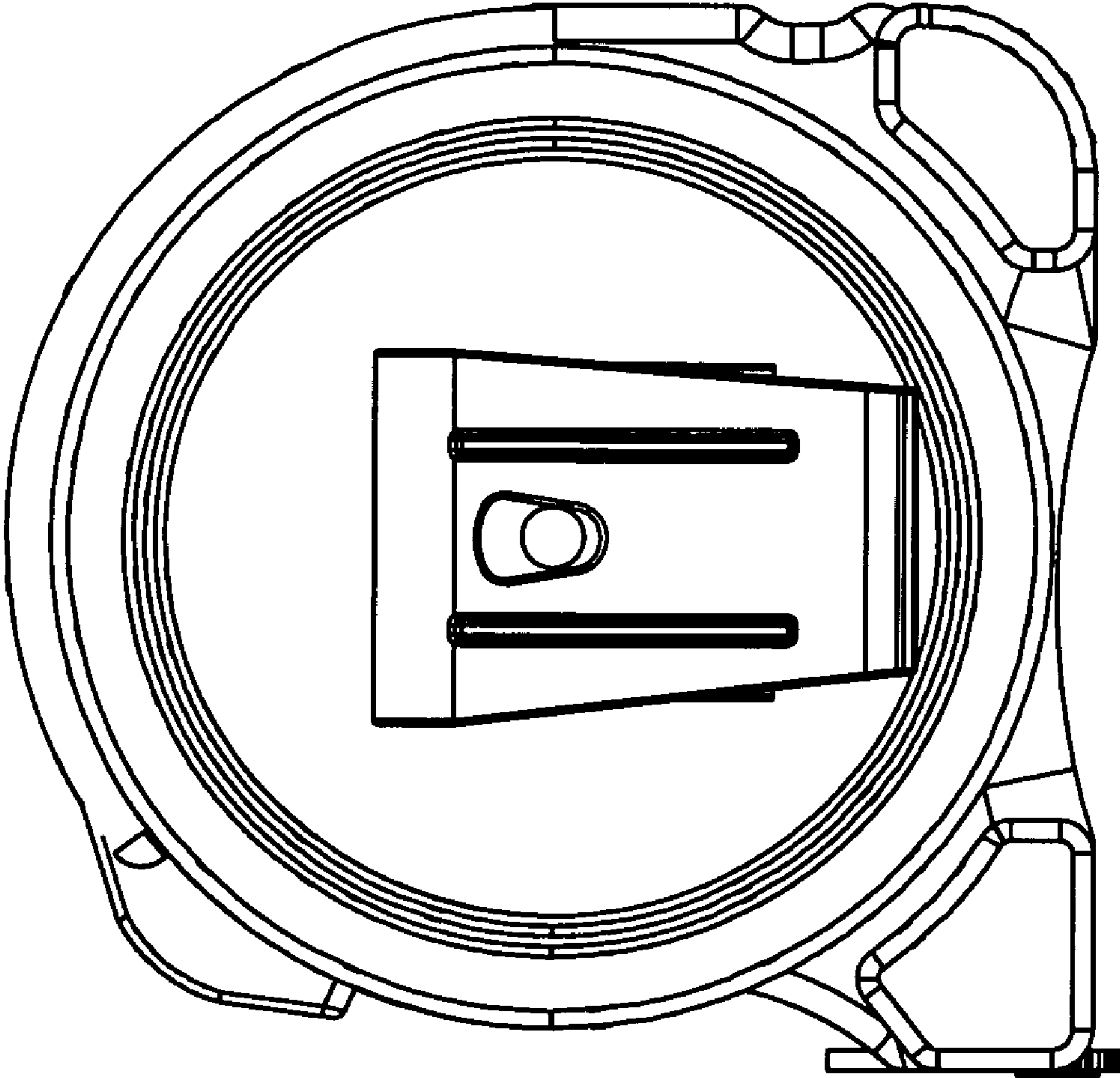


Fig. 4

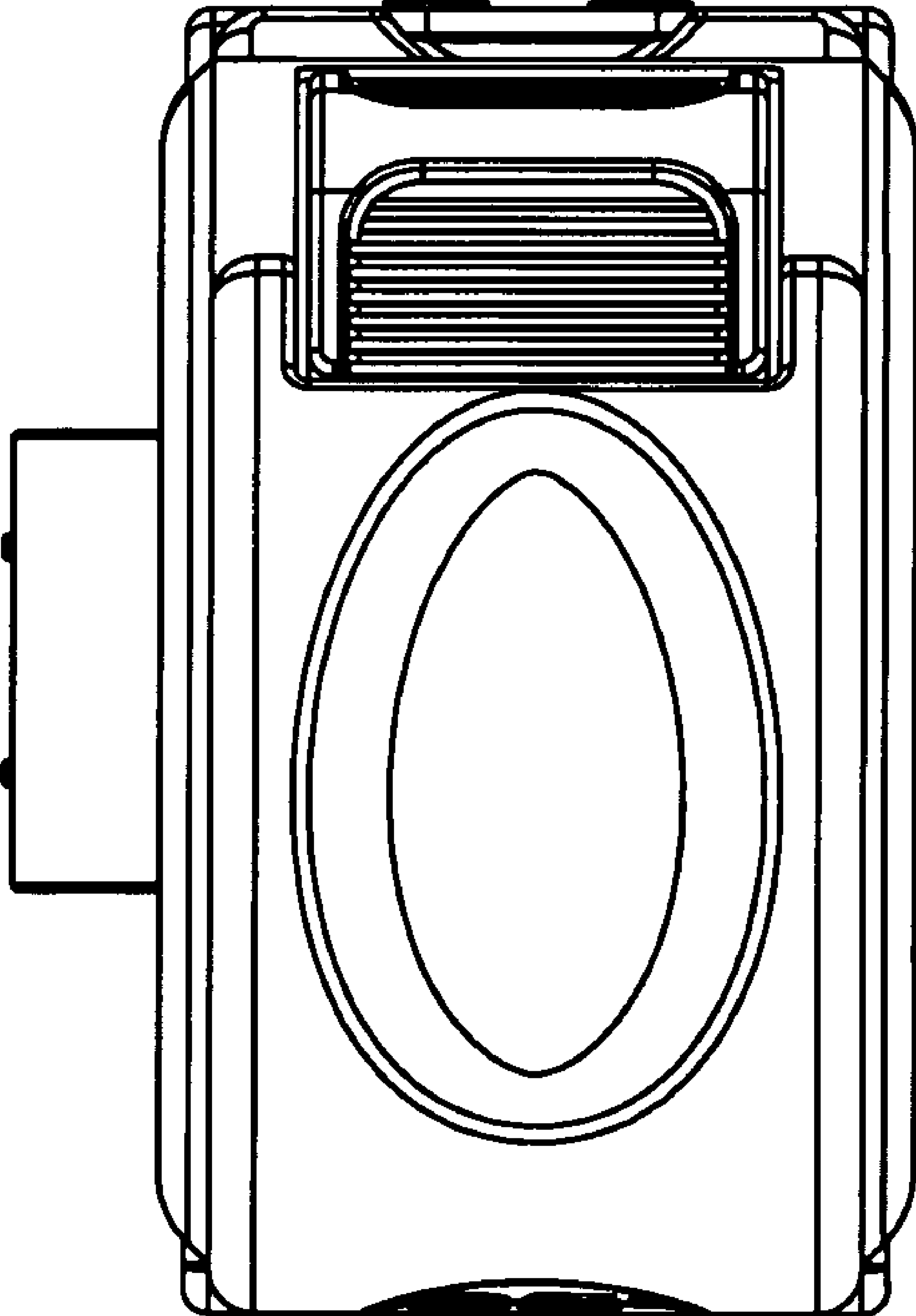


Fig. 5

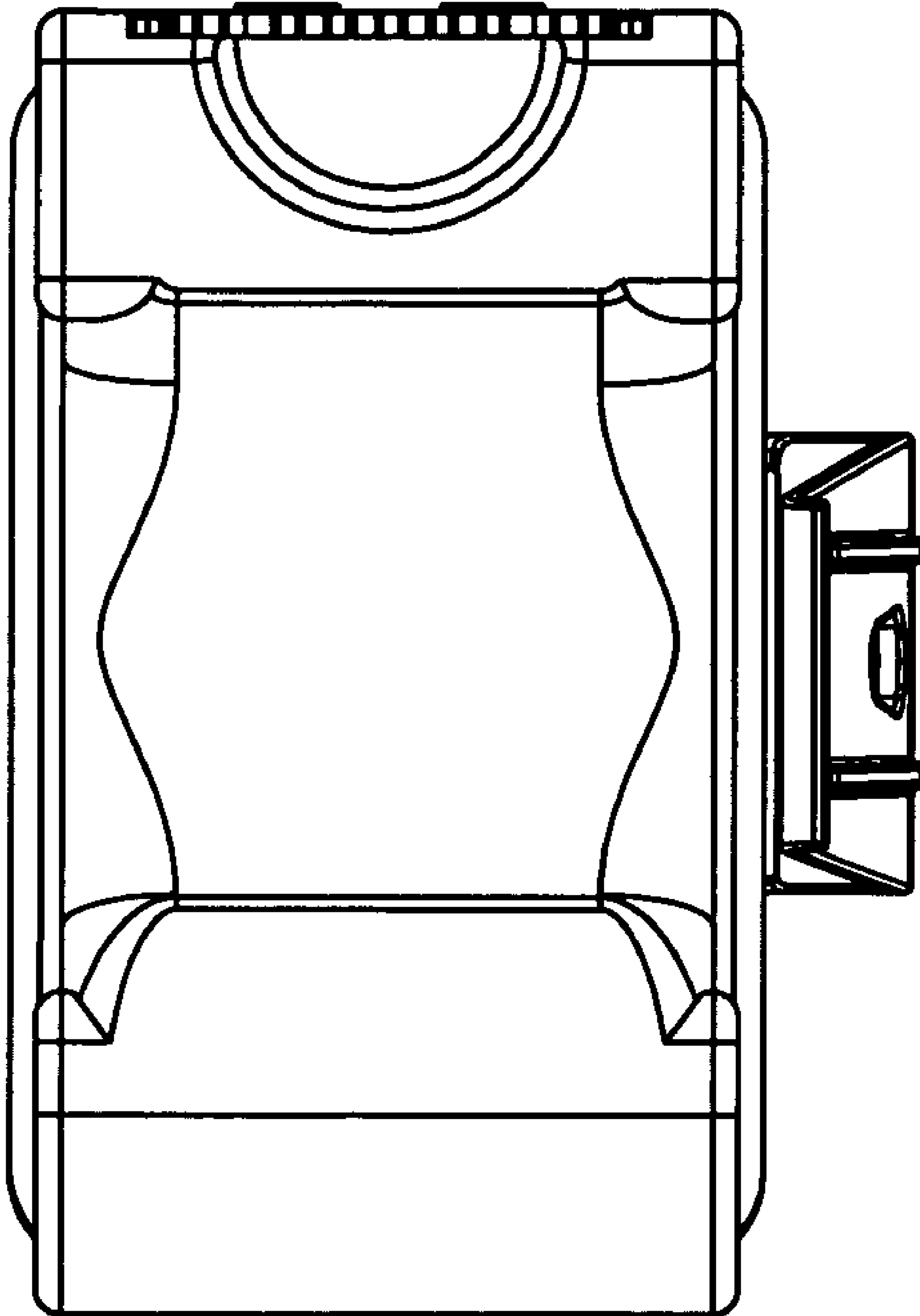


Fig. 6

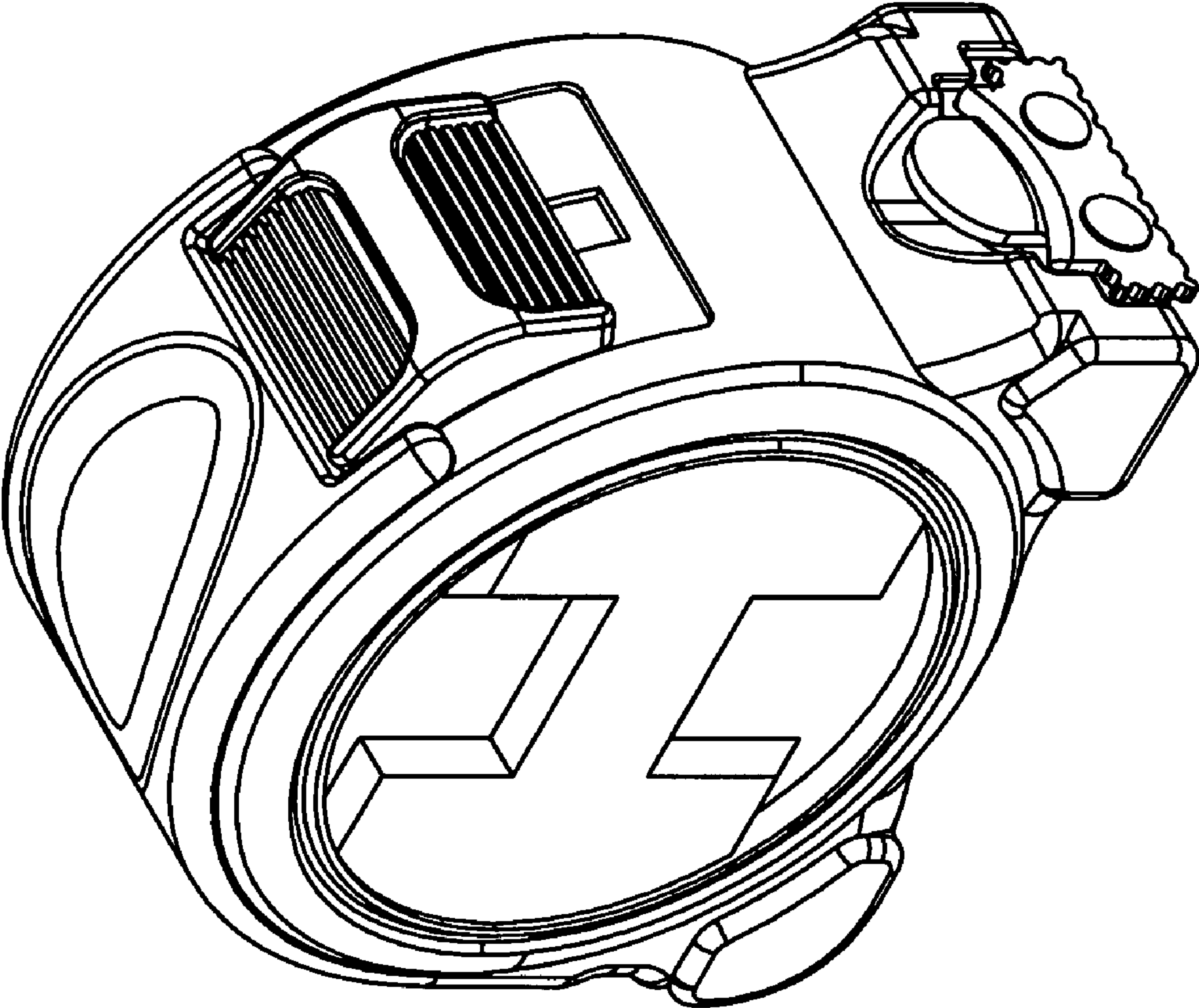


Fig. 7

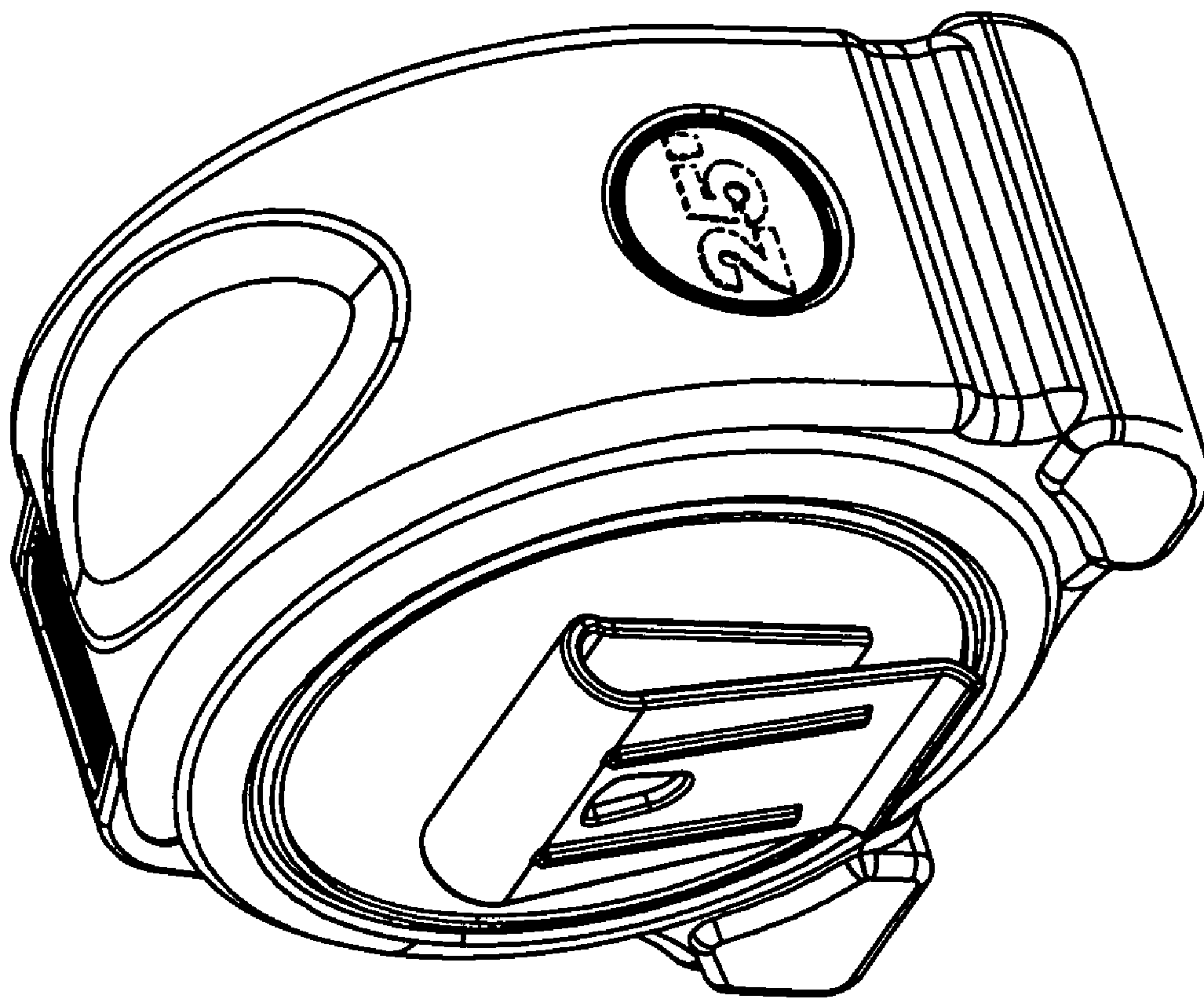


Fig. 8