



US00D578906S

(12) **United States Design Patent**
Gatz et al.

(10) **Patent No.:** **US D578,906 S**
(45) **Date of Patent:** **** Oct. 21, 2008**

(54) **DISPLAY HOUSING FOR A REMOTE VISUAL INSPECTION DEVICE**

(75) Inventors: **Jay P. Gatz**, Avon Lake, OH (US); **Scott Aiello**, Avon Lake, OH (US); **Timothy Montbach**, Richfield, OH (US); **Clifford Duff**, Sheffield Village, OH (US); **Larry Babb**, Grafton, OH (US)

(73) Assignee: **Emerson Electric Co.**, St. Louis, MO (US)

(**) Term: **14 Years**

(21) Appl. No.: **29/302,671**

(22) Filed: **Jan. 22, 2008**

Related U.S. Application Data

(62) Division of application No. 29/272,079, filed on Jan. 31, 2007, now Pat. No. Des. 573,042.

(51) **LOC (8) Cl.** **10-04**

(52) **U.S. Cl.** **D10/46**

(58) **Field of Classification Search** D10/46;
73/865.8, 623; 324/326, 67, 329; 348/84
See application file for complete search history.

(56) **References Cited**

U.S. PATENT DOCUMENTS

| | | | | |
|-----------|------|--------|------------------------------|----------|
| 6,338,283 | B1 * | 1/2002 | Blazquez Navarro et al. | 73/865.8 |
| 7,246,036 | B2 * | 7/2007 | Cheskaty et al. | 73/865.8 |
| D559,386 | S | 1/2008 | Pease et al. | |
| D560,804 | S | 1/2008 | Pease et al. | |

OTHER PUBLICATIONS

<http://www.ridgid.com/Tools/SeeSnake-micro>.

* cited by examiner

Primary Examiner—Antoine D Davis

(57) **CLAIM**

The ornamental design for a display housing for a remote visual inspection device, as shown and described.

DESCRIPTION

FIG. 1 is a perspective view of a display housing for a remote visual inspection device. The items shown in phantom lines are for illustrative purposes only and form no part of the subject invention;

FIG. 2 is a plan view of the display housing for a remote visual inspection device of FIG. 1. The items shown in phantom lines are for illustrative purposes only and form no part of the subject invention;

FIG. 3 is a front view of the display housing for a remote visual inspection device of FIG. 1. The items shown in phantom lines are for illustrative purposes only and form no part of the subject invention;

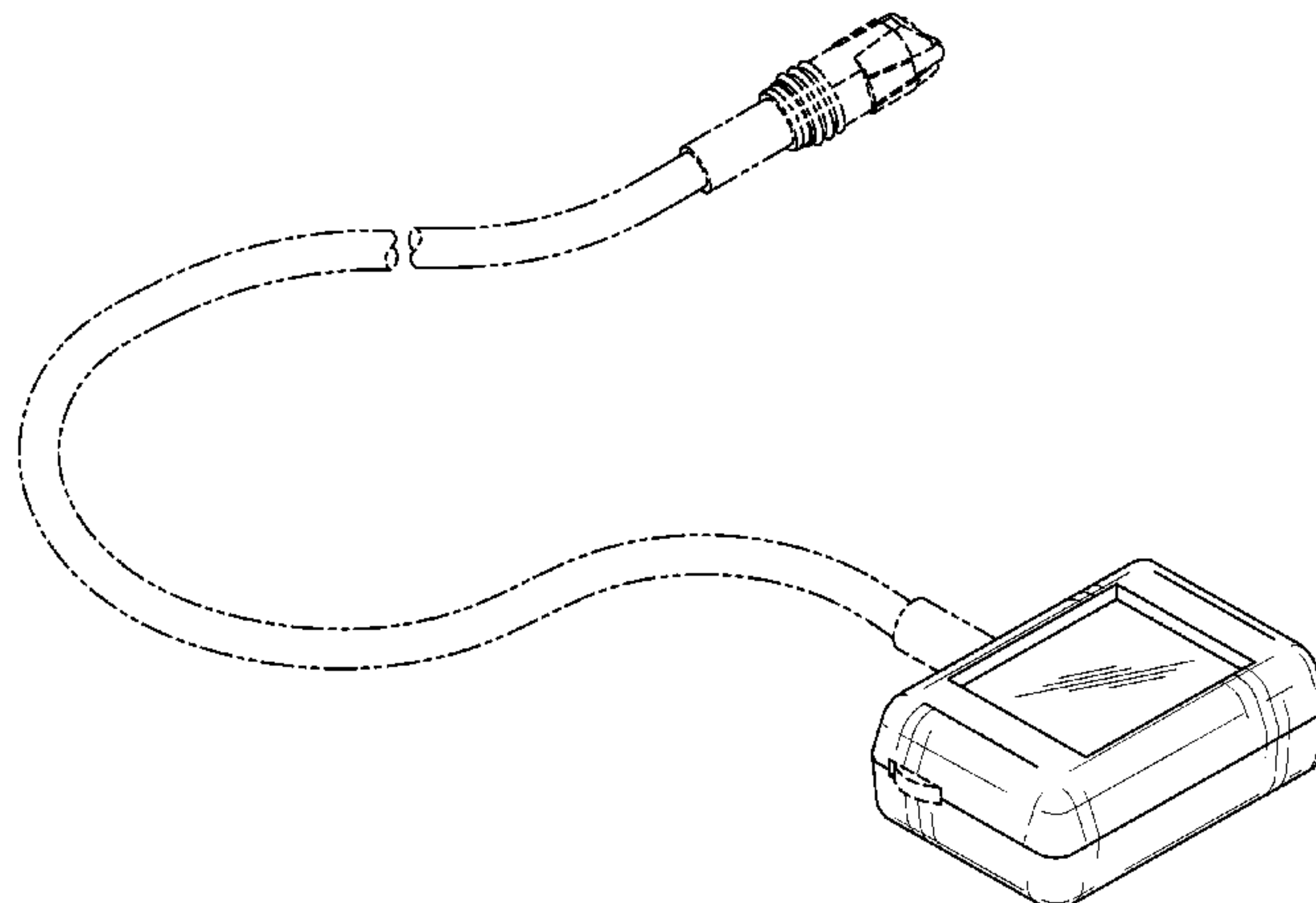
FIG. 4 is a back view of the display housing for a remote visual inspection device of FIG. 1. The items shown in phantom lines are for illustrative purposes only and form no part of the subject invention;

FIG. 5 is a left side view of the display housing for a remote visual inspection device of FIG. 1. The items shown in phantom lines are for illustrative purposes only and form no part of the subject invention;

FIG. 6 is a right side view of the display housing for a remote visual inspection device of FIG. 1. The items shown in phantom lines are for illustrative purposes only and form no part of the subject invention;

FIG. 7 is a perspective view of another display housing for a remote visual inspection device. The items shown in phantom lines are for illustrative purposes only and form no part of the subject invention;

FIG. 8 is a plan view of the display housing for a remote visual inspection device of FIG. 7. The items shown in phantom



lines are for illustrative purposes only and form no part of the subject invention;

FIG. 9 is a back view of the display housing for a remote visual inspection device of FIG. 7. The items shown in phantom lines are for illustrative purposes only and form no part of the subject invention;

FIG. 10 is a front view of the display housing for a remote visual inspection device of FIG. 7. The items shown in phantom lines are for illustrative purposes only and form no part of the subject invention;

FIG. 11 is a left side view of the display housing for a remote visual inspection device of FIG. 7. The items shown in phantom lines are for illustrative purposes only and form no part of the subject invention; and,

FIG. 12 is a right side view of the display housing for a remote visual inspection device of FIG. 7. The items shown in phantom lines are for illustrative purposes only and form no part of the subject invention.

1 Claim, 4 Drawing Sheets

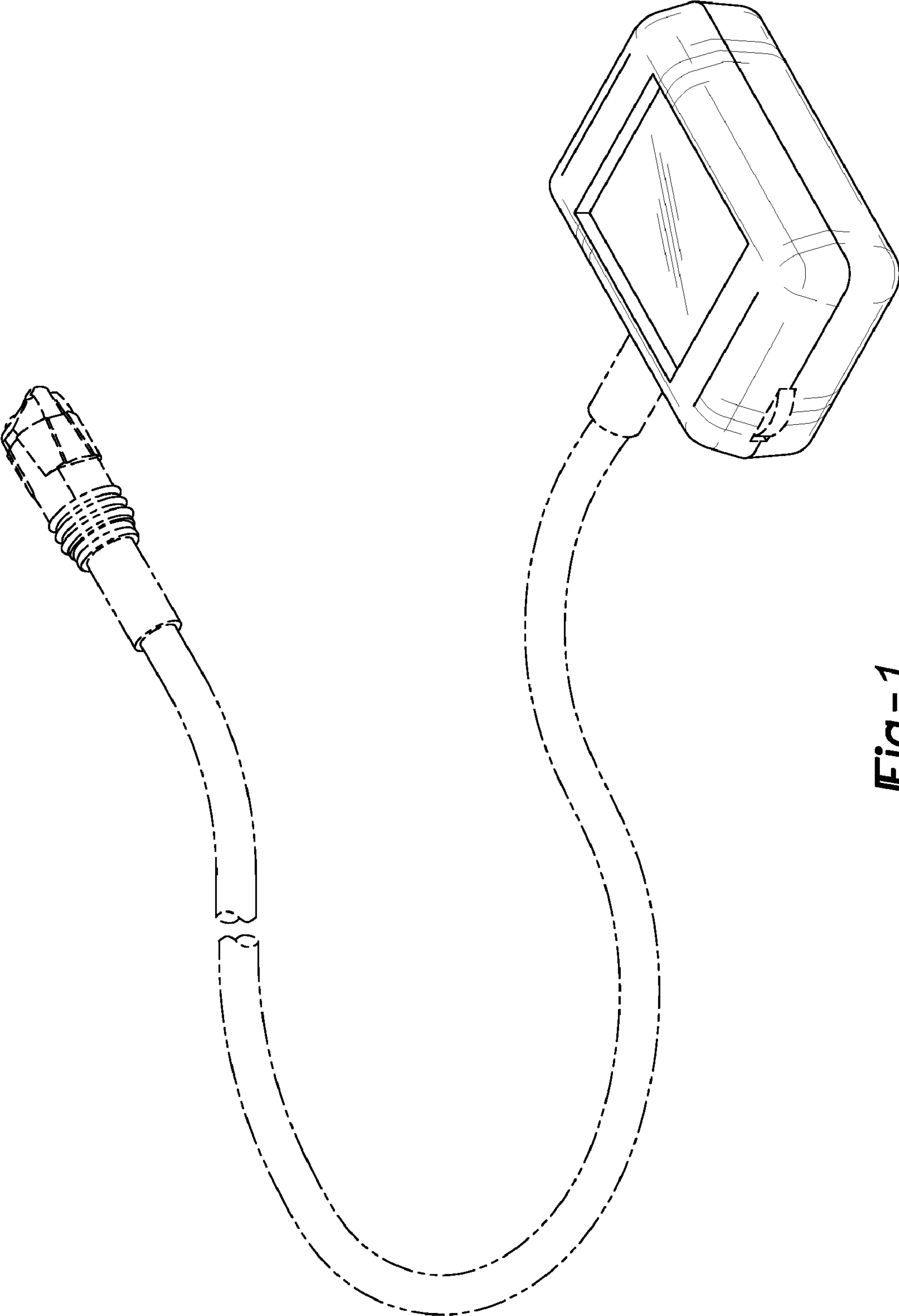


Fig-1

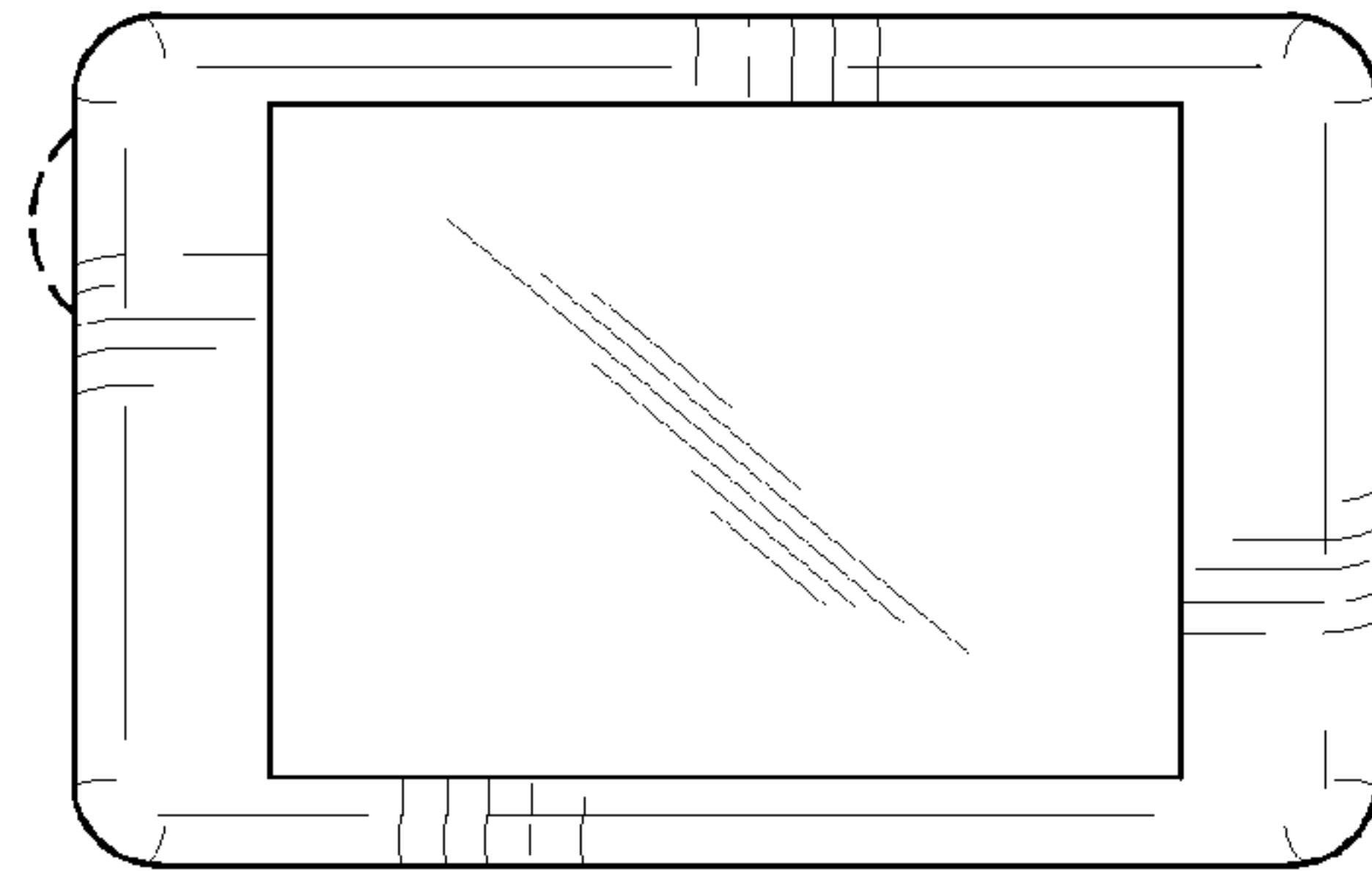


Fig-2

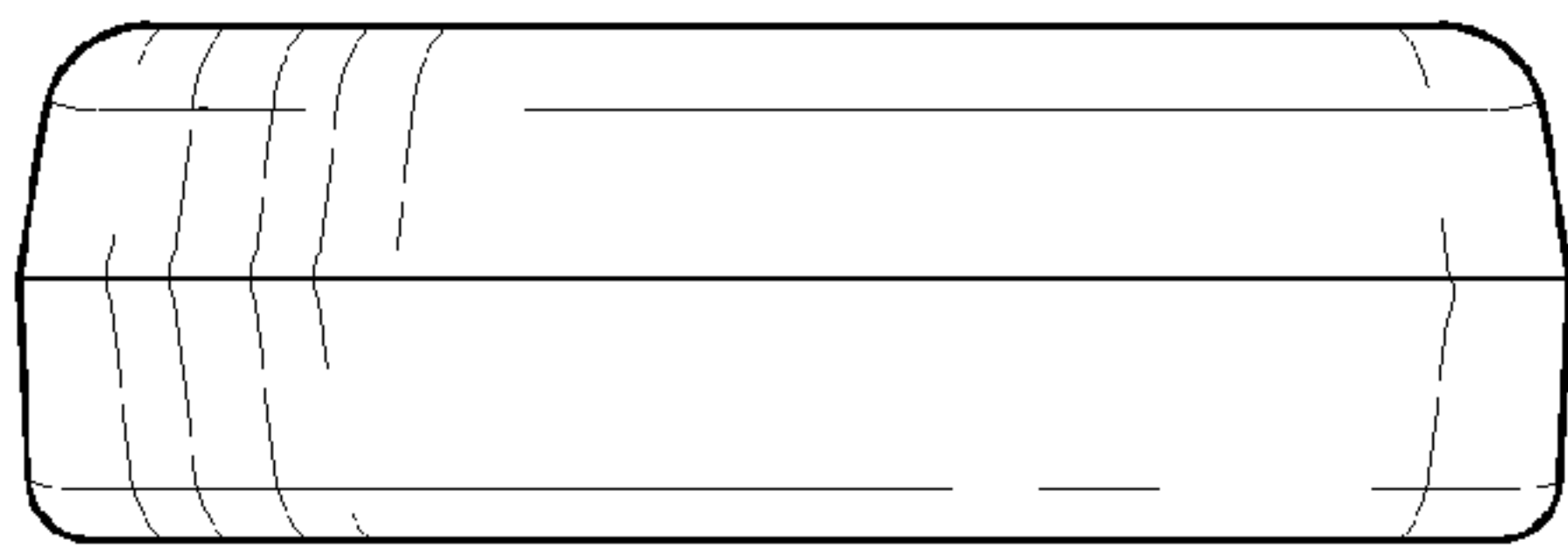


Fig-3

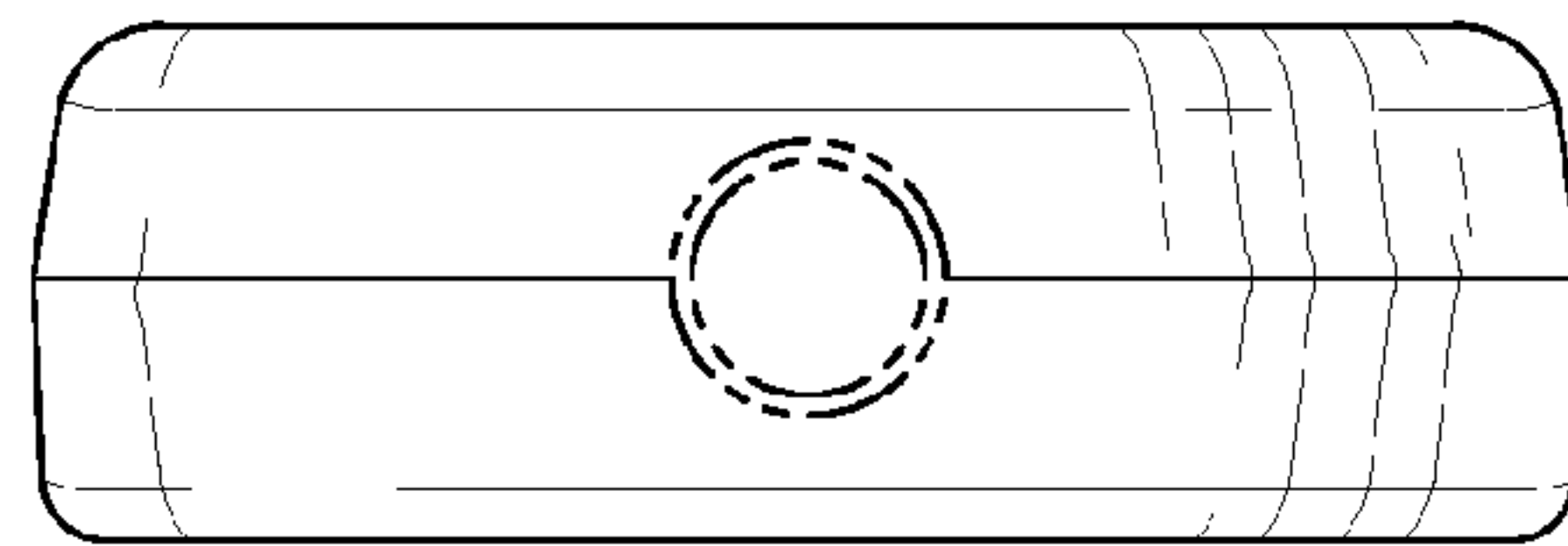


Fig-4

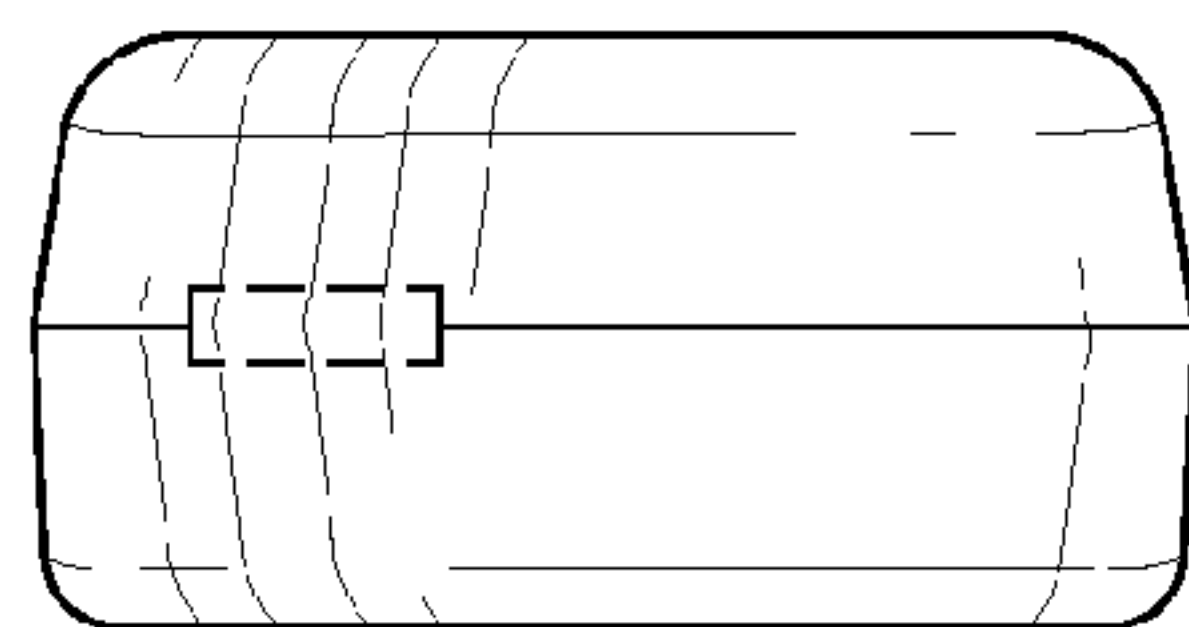


Fig-5

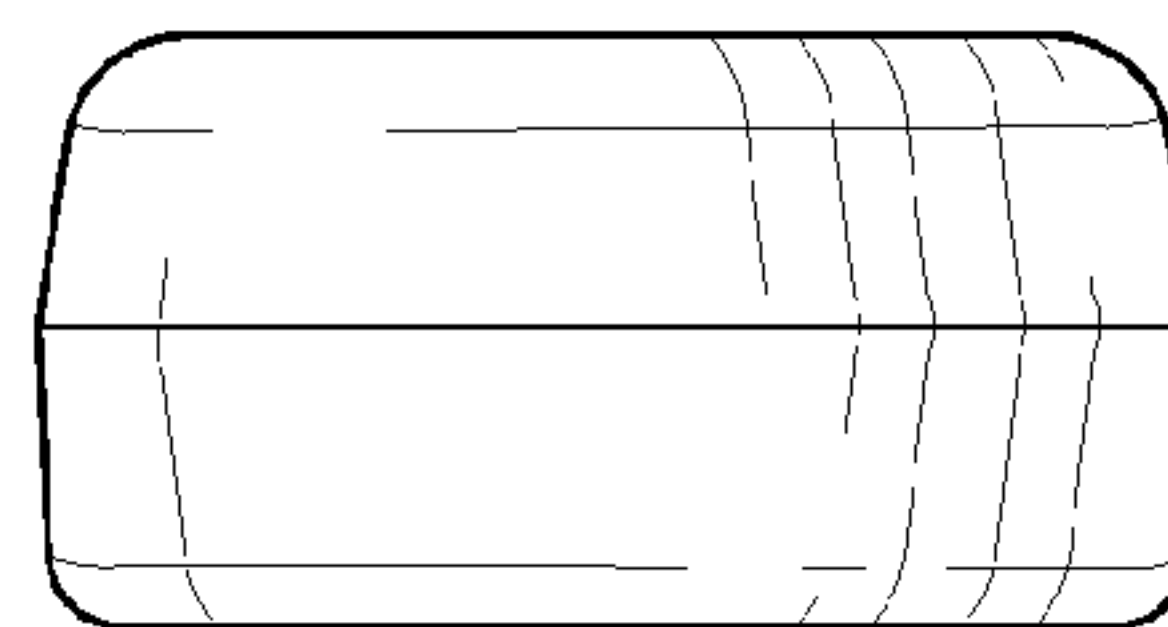


Fig-6

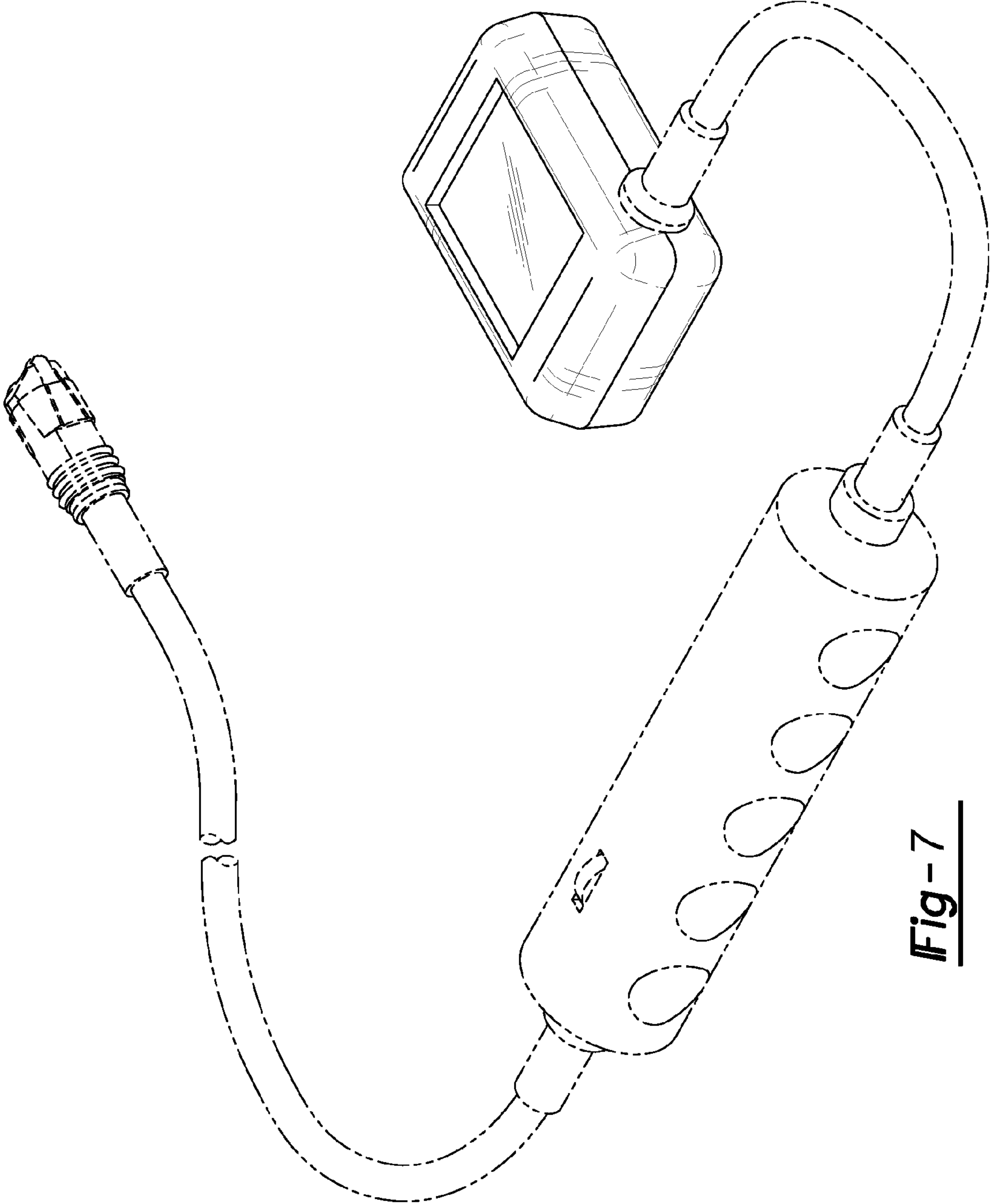


Fig - 7

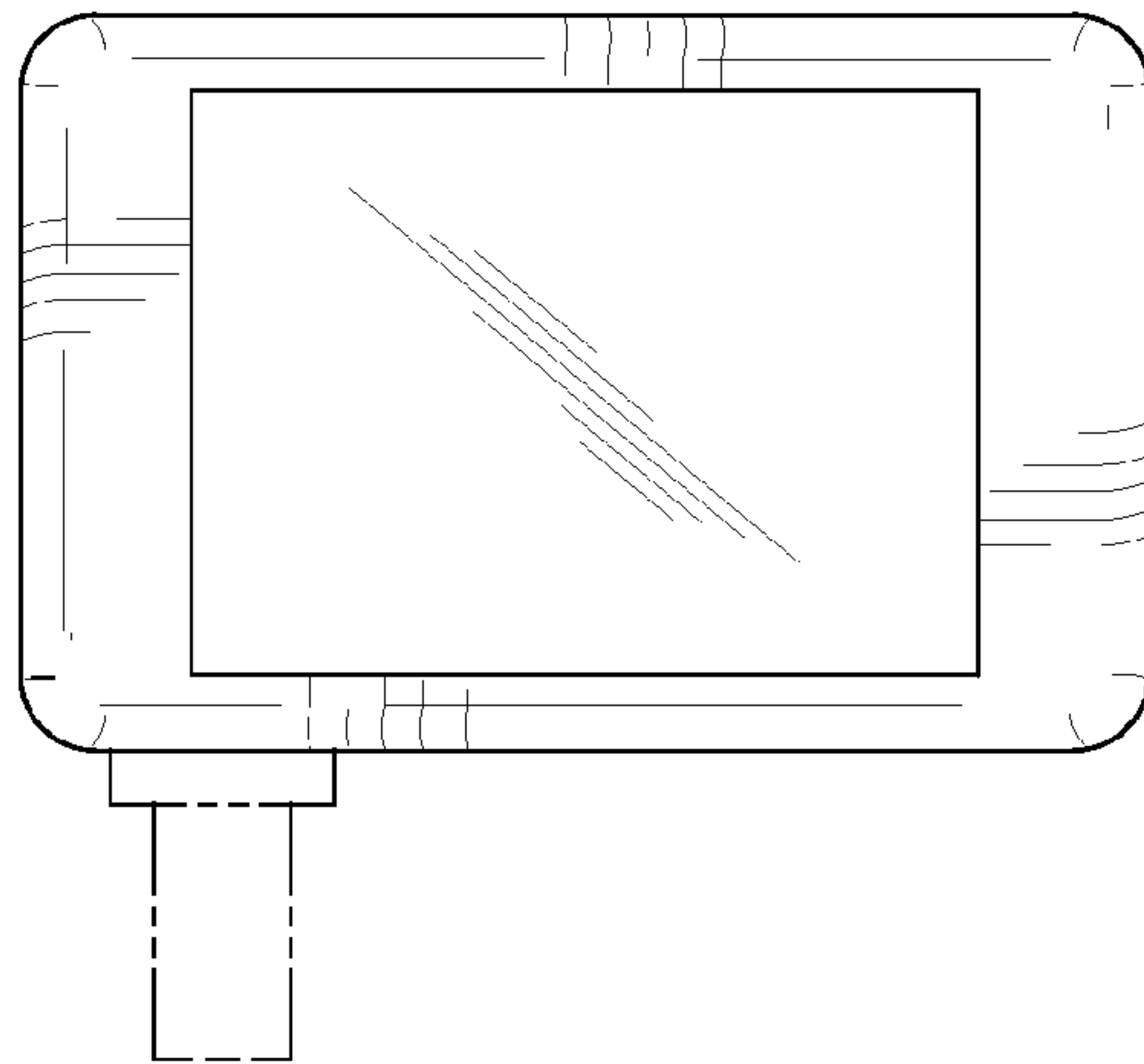


Fig-8

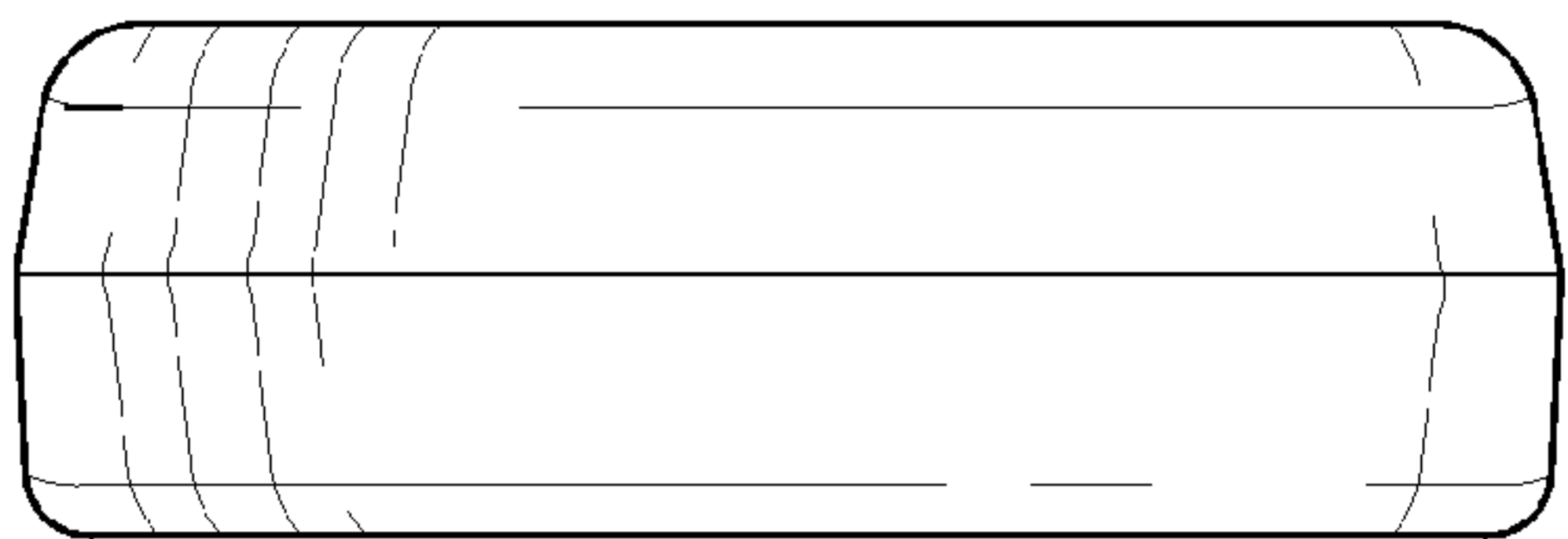


Fig-9

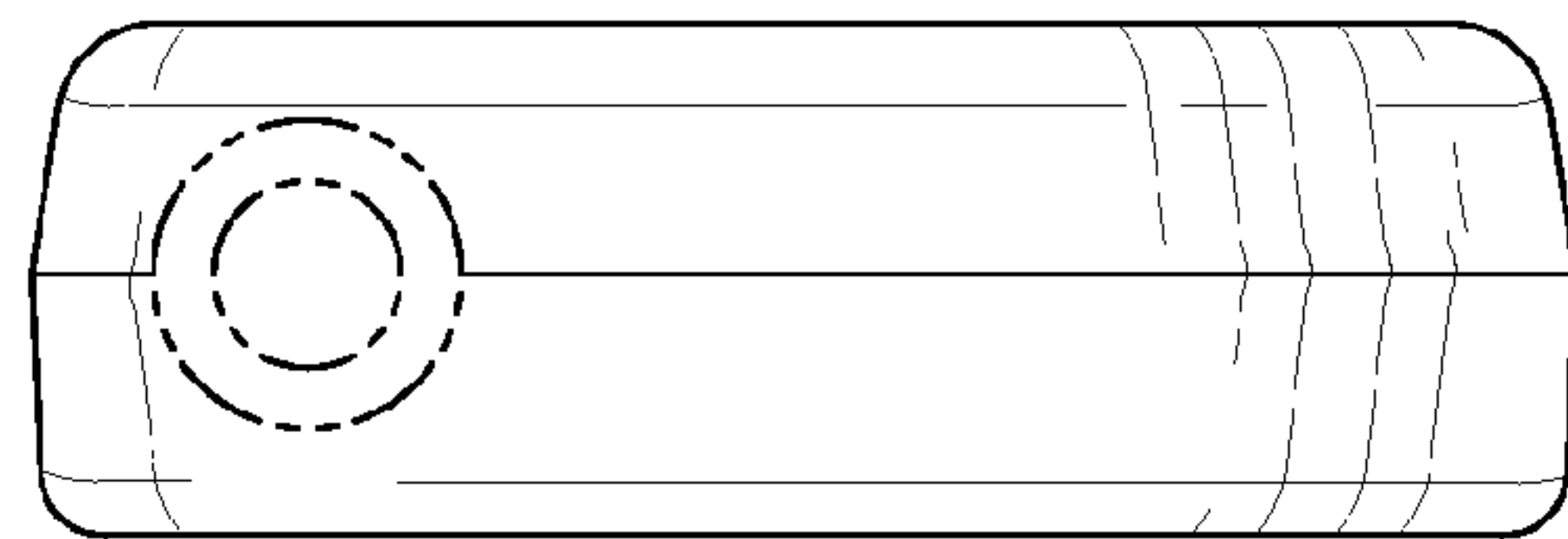


Fig-10

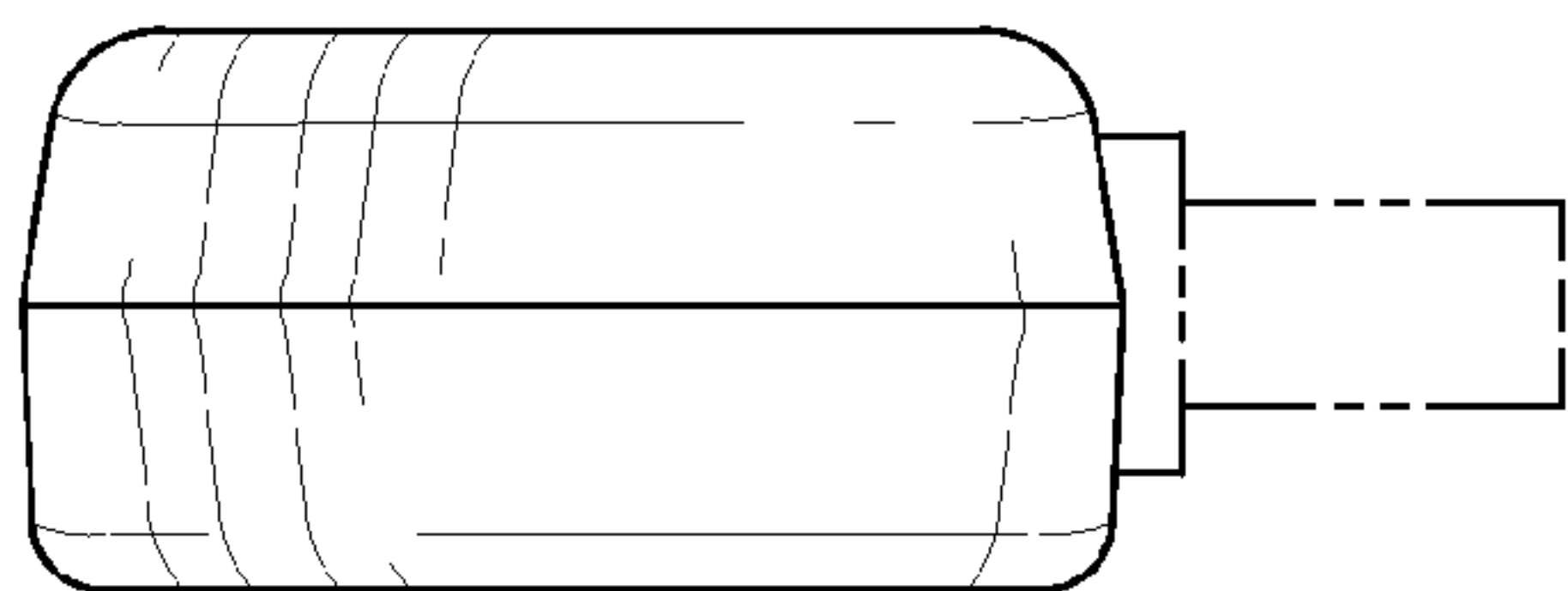


Fig-11

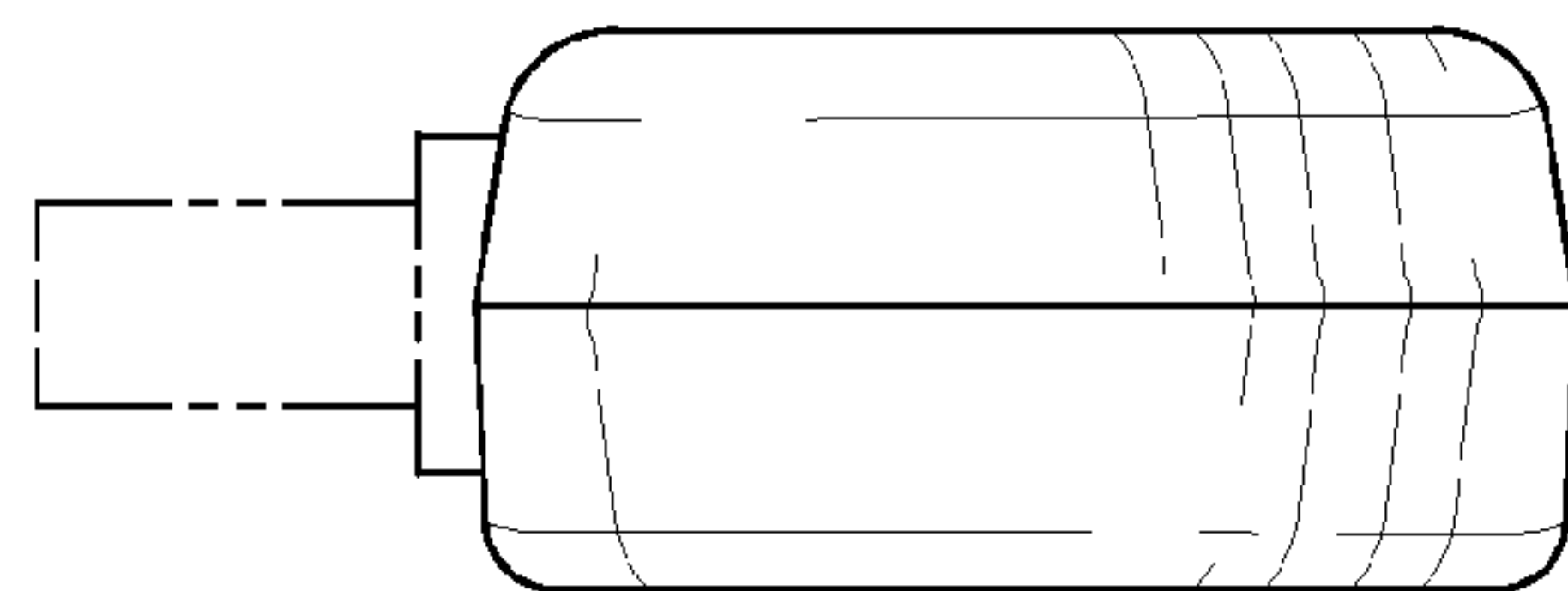


Fig-12