



US00D578902S

(12) **United States Design Patent**  
**Hoshino**

(10) **Patent No.:** **US D578,902 S**  
(45) **Date of Patent:** **\*\* Oct. 21, 2008**

- (54) **WATCH CASE**
- (75) Inventor: **Kazunori Hoshino**, Matsumoto (JP)
- (73) Assignee: **Seiko Epson Corporation** (JP)
- (\*\*) Term: **14 Years**
- (21) Appl. No.: **29/301,889**
- (22) Filed: **Mar. 20, 2008**
- (30) **Foreign Application Priority Data**  
Dec. 25, 2007 (JP) ..... 2007-035313
- (51) **LOC (8) Cl.** ..... **10-02**
- (52) **U.S. Cl.** ..... **D10/38; D10/128**
- (58) **Field of Classification Search** ..... D10/30-39,  
D10/122-132; 368/276, 281, 282, 285, 316,  
368/317, 319, 288, 306, 308  
See application file for complete search history.

D544,372 S \* 6/2007 Seyr et al. .... D10/32  
D551,100 S \* 9/2007 Okaya ..... D10/38

**OTHER PUBLICATIONS**

Watch Case, Kazunori Hoshino, U.S. Appl. No. 29/301,891, filed Mar. 2008.  
Watch Case, Kazunori Hoshino, U.S. Appl. No. 29/301,890, filed Mar. 2008.

\* cited by examiner

*Primary Examiner*—Lucy Lieberman  
(74) *Attorney, Agent, or Firm*—Harness, Dickey & Pierce, P.L.C.

(57) **CLAIM**

The ornamental design for a watch case, as shown and described.

**DESCRIPTION**

FIG. 1 is a perspective view of a watch case, as viewed from the top, front and left side embodying my new design;  
FIG. 2 is a perspective view thereof, as viewed from the top, front and right side;  
FIG. 3 is a perspective view thereof, as viewed from the bottom, front and left side;  
FIG. 4 is a left side view thereof;  
FIG. 5 is a right side view thereof;  
FIG. 6 is a rear view thereof;  
FIG. 7 is a top view thereof; and,  
FIG. 8 is a bottom view thereof.

The broken lines are shown for illustrative purposes only and form no part of the claimed design.

**1 Claim, 3 Drawing Sheets**

- (56) **References Cited**
- U.S. PATENT DOCUMENTS
- 2,342,804 A \* 2/1944 Hiller ..... 368/316
- 3,162,007 A \* 12/1964 Parmentier ..... 368/281
- 3,270,928 A \* 9/1966 Brunet ..... 224/164
- 3,475,902 A \* 11/1969 Wessel ..... 368/10
- D327,851 S \* 7/1992 Besson ..... D10/39
- D386,094 S \* 11/1997 Ventrella ..... D10/30
- D399,757 S \* 10/1998 Riley et al. .... D10/30
- D399,758 S \* 10/1998 Mendoza ..... D10/30
- D427,915 S \* 7/2000 Erediano ..... D10/30
- D465,738 S \* 11/2002 Streltsov ..... D10/30
- D500,682 S \* 1/2005 Lalo ..... D10/30
- D527,283 S \* 8/2006 De Witt ..... D10/38
- D540,196 S \* 4/2007 Ruchonnet ..... D10/32
- D541,675 S \* 5/2007 Ruchonnet ..... D10/38

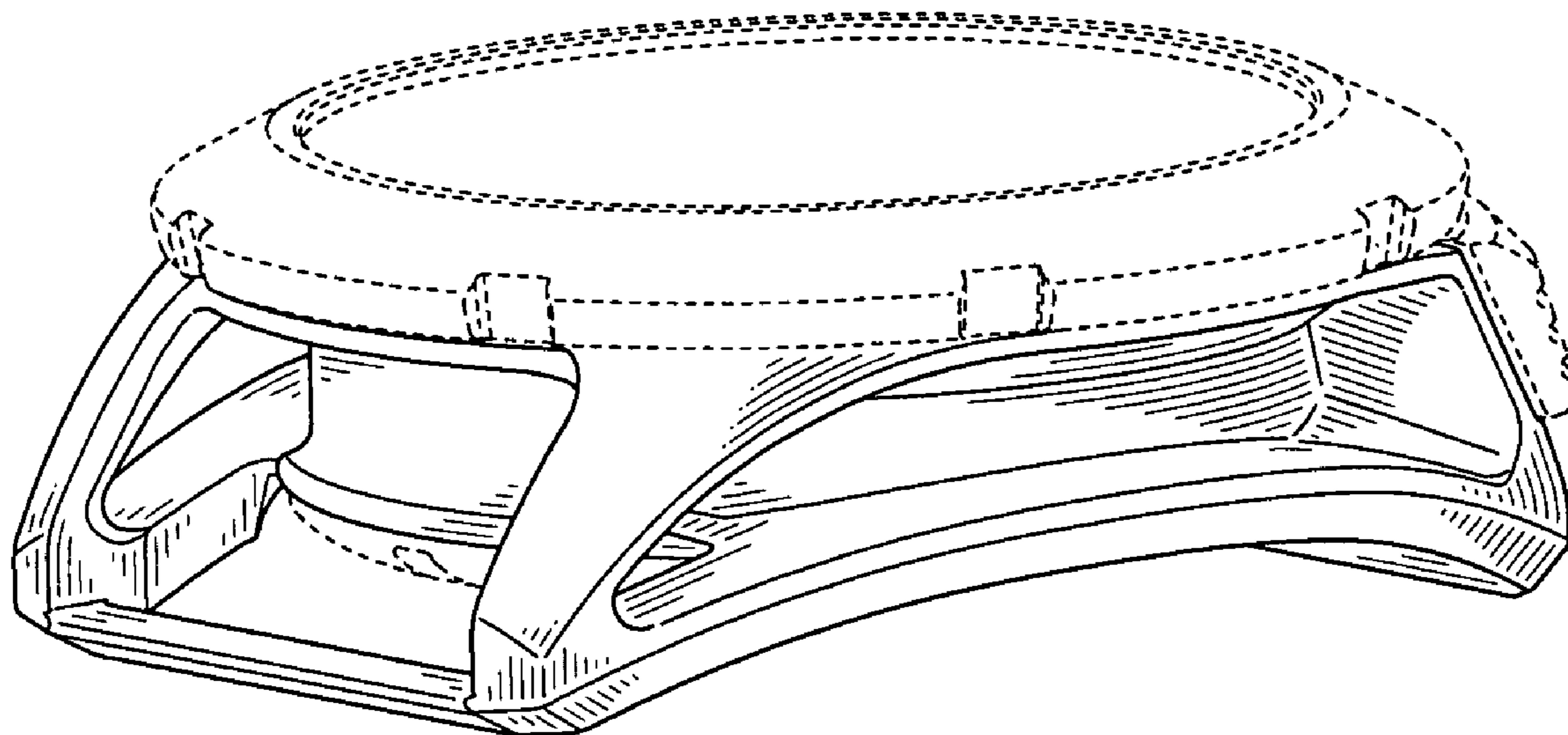


FIG. 1

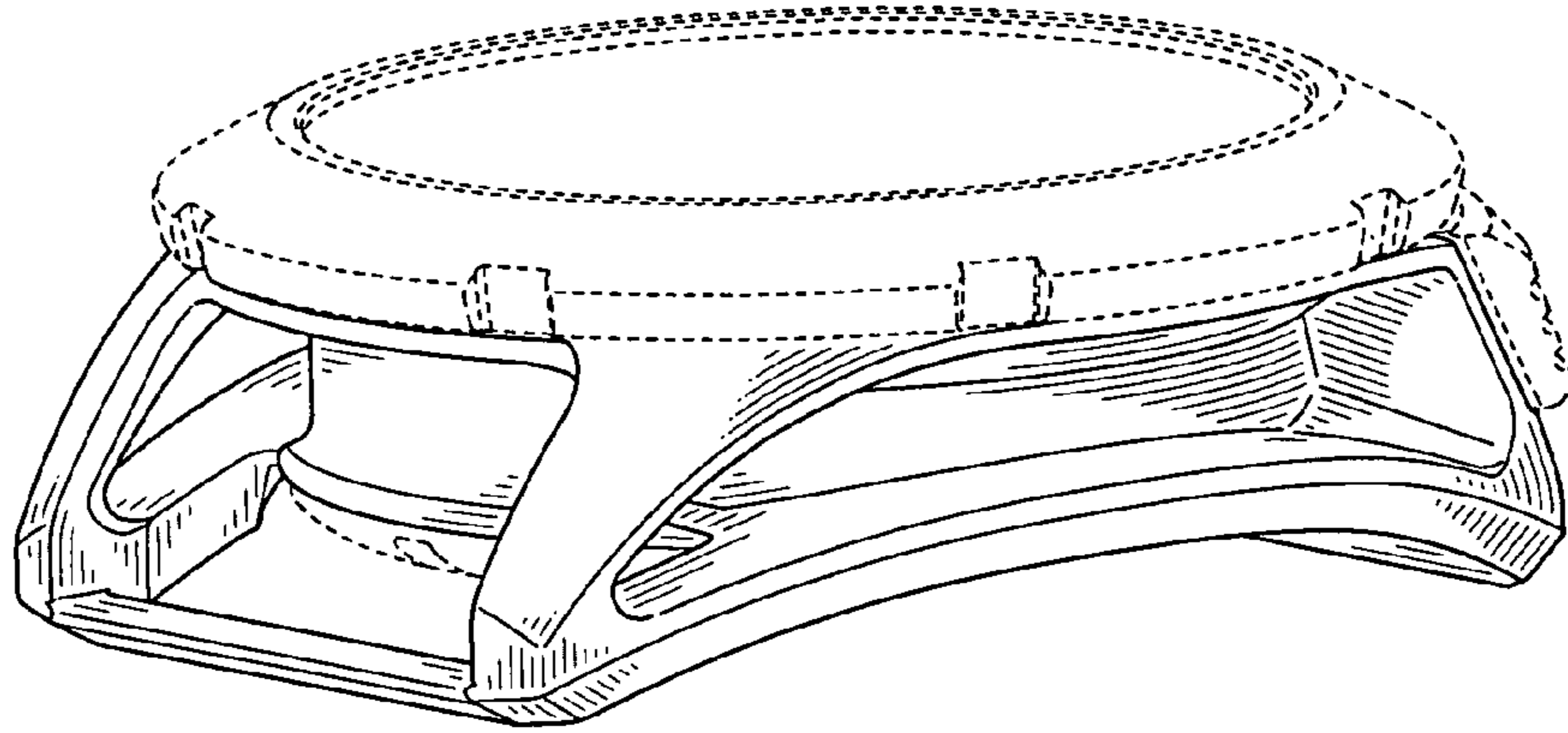


FIG. 2

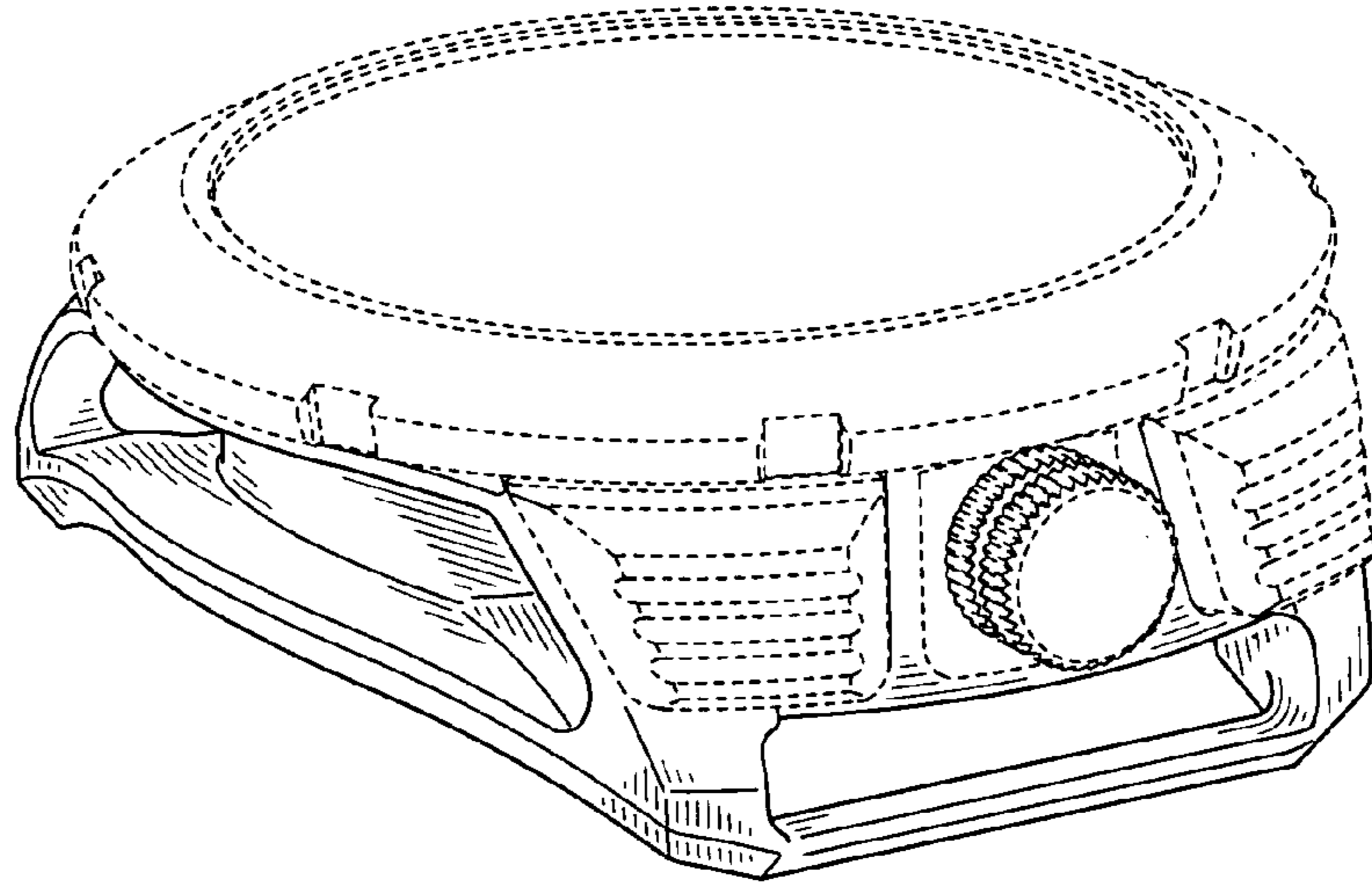
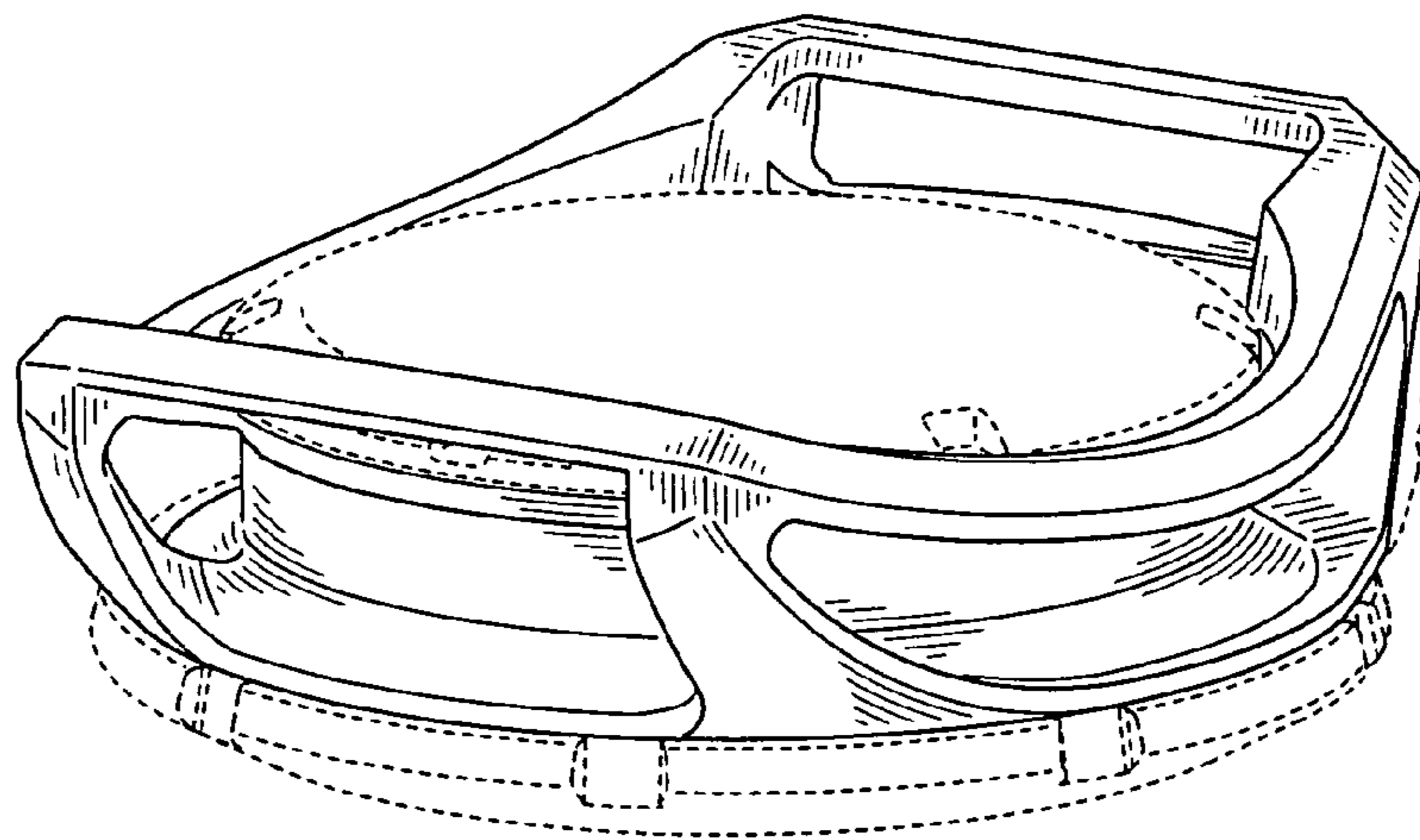


FIG. 3



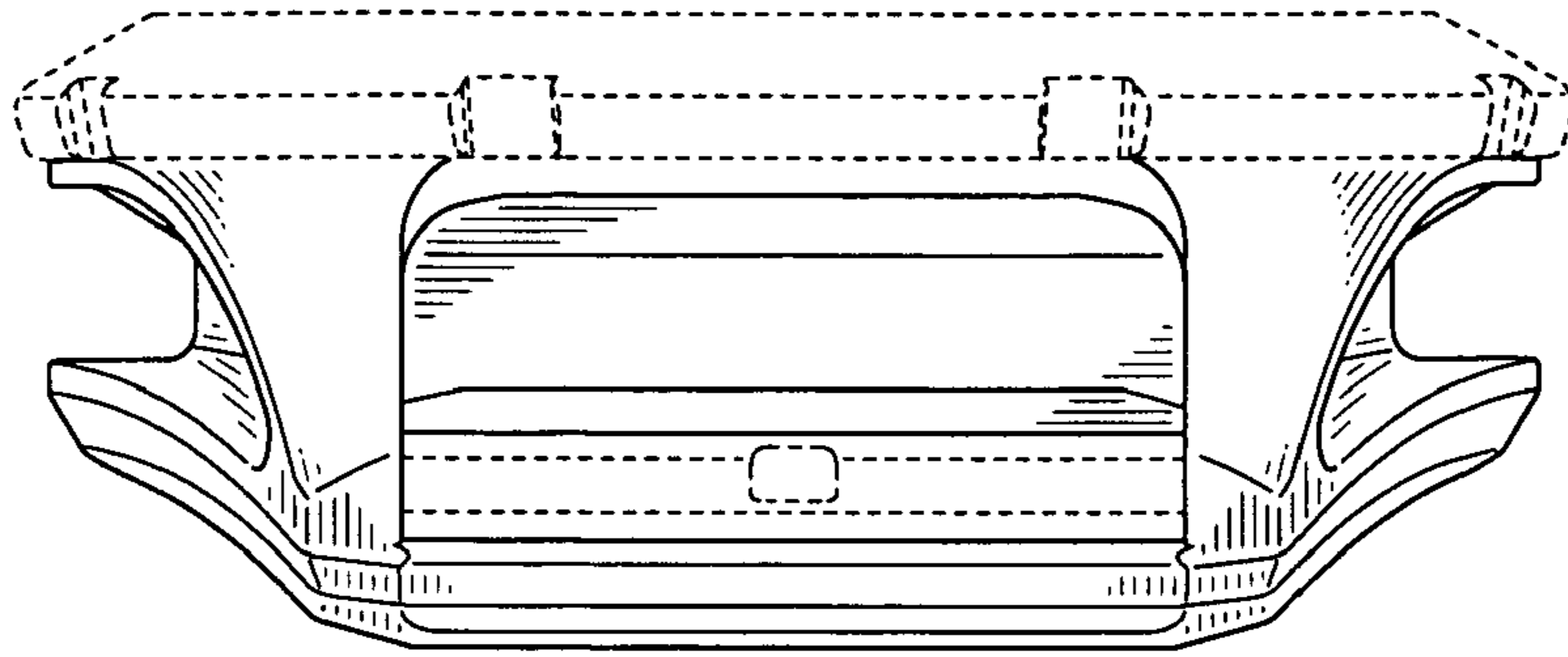


FIG. 4

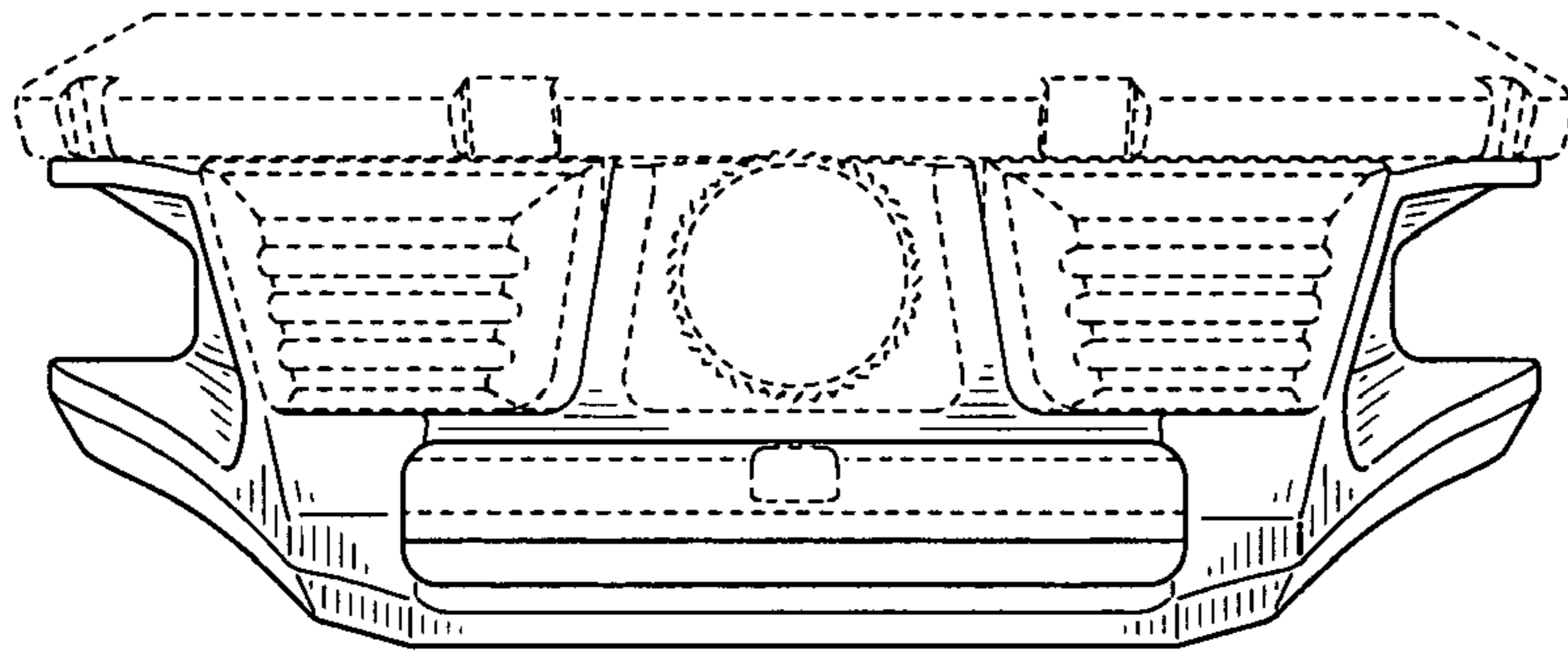


FIG. 5

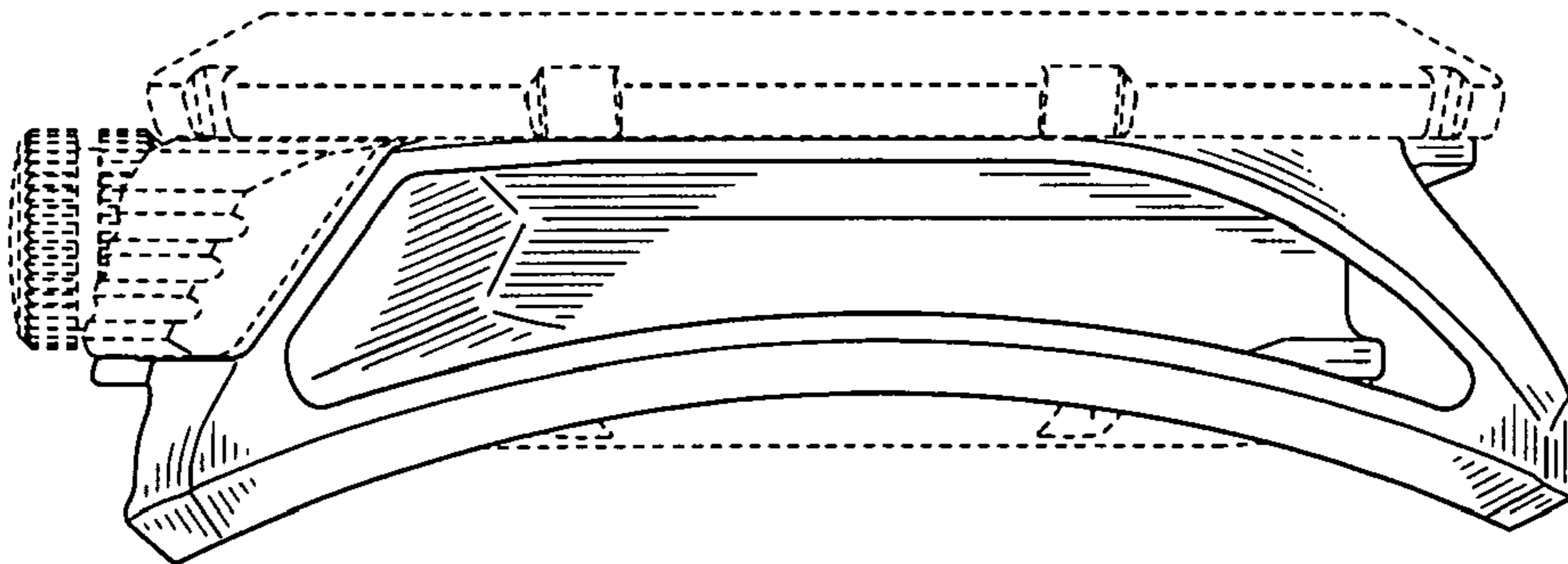


FIG. 6

FIG. 7

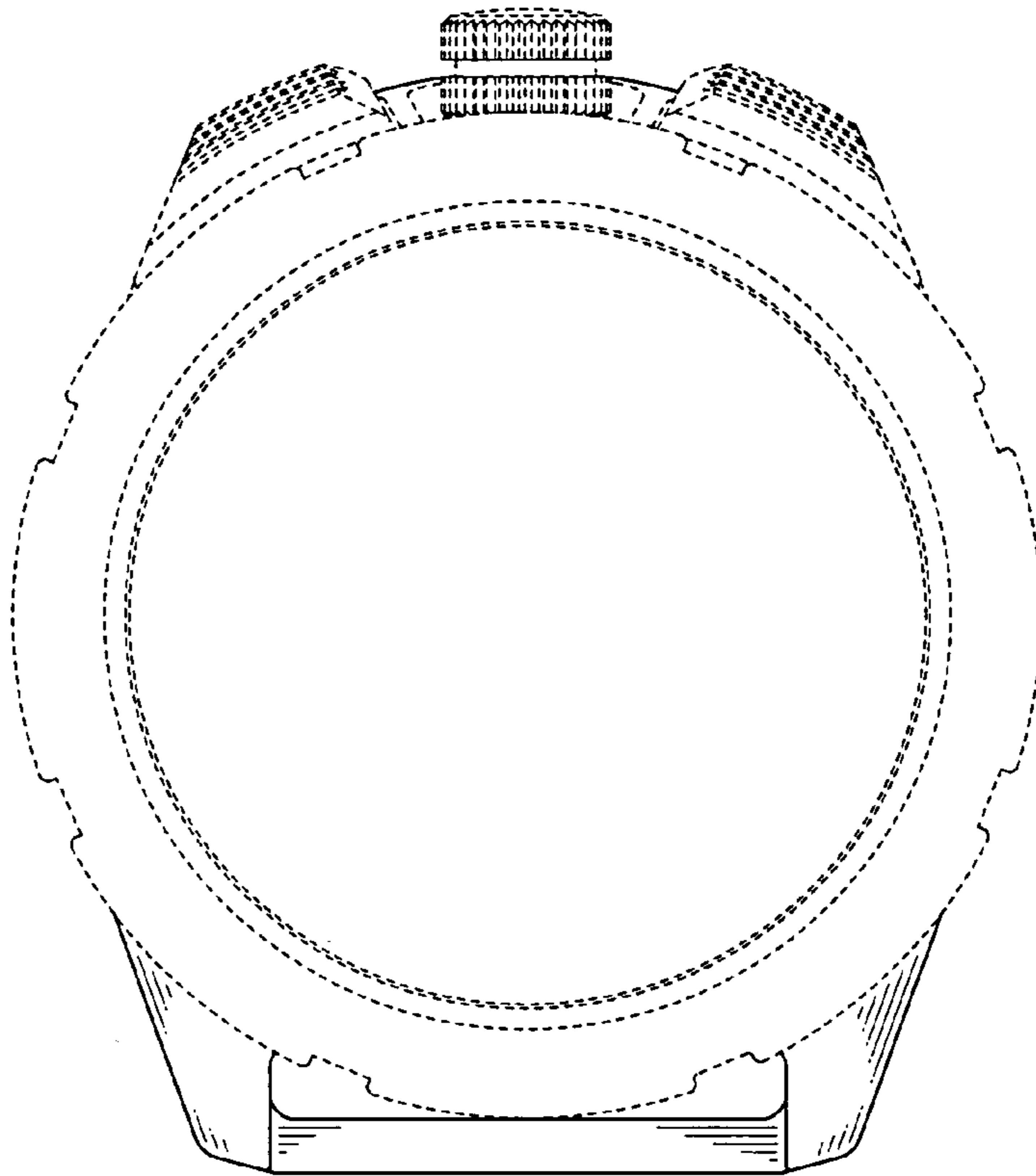


FIG. 8

