



US00D578900S

(12) **United States Design Patent**  
**Nisembaum**

(10) **Patent No.:** **US D578,900 S**

(45) **Date of Patent:** **\*\* Oct. 21, 2008**

(54) **WATCH**

(75) **Inventor:** **Didier Nisembaum, Brugg (CH)**

(73) **Assignee:** **La Montre Hermes S.A., Brugg (CH)**

(\*\*) **Term:** **14 Years**

(21) **Appl. No.:** **29/302,704**

(22) **Filed:** **Jan. 23, 2008**

(30) **Foreign Application Priority Data**

Jul. 25, 2007 (WO) ..... DM/069 271

(51) **LOC (8) Cl.** ..... **10-02**

(52) **U.S. Cl.** ..... **D10/32**

(58) **Field of Classification Search** ..... D10/30-39;  
368/276, 281, 282, 285; D11/3, 12  
See application file for complete search history.

(56) **References Cited**

**U.S. PATENT DOCUMENTS**

D60,533	S	*	3/1922	Gruen	.....	D10/39
1,831,951	A	*	11/1931	Fassnacht et al.	.....	59/80
2,230,330	A	*	2/1941	Marti	.....	368/291
D150,324	S	*	7/1948	Tall	.....	D11/12
D274,504	S	*	7/1984	Bulgari	.....	D10/32
D314,918	S	*	2/1991	Dumas	.....	D10/32
D326,624	S	*	6/1992	Cowan	.....	D11/19
D403,248	S	*	12/1998	Magninat	.....	D10/30
D403,599	S	*	1/1999	Emmenegger	.....	D10/39
D411,340	S	*	6/1999	Strasser	.....	D3/3
D413,818	S	*	9/1999	Baumann	.....	D10/32
D434,335	S	*	11/2000	Amstutz	.....	D10/32

D436,047	S	*	1/2001	Giardiello	.....	D10/32
D440,886	S	*	4/2001	Burgener	.....	D10/32
D441,668	S	*	5/2001	Dumas	.....	D10/39
D452,171	S	*	12/2001	Bodino	.....	D10/32
D462,280	S	*	9/2002	Cheng	.....	D10/39
D478,515	S	*	8/2003	Sugiura et al.	.....	D10/32
D507,497	S	*	7/2005	Liao	.....	D10/30
D526,215	S	*	8/2006	Calvani	.....	D10/38
D534,437	S	*	1/2007	Modolo	.....	D10/32
D544,801	S	*	6/2007	Hardy	.....	D10/32
D565,970	S	*	4/2008	Ratajski et al.	.....	D10/39
D568,177	S	*	5/2008	Lassigne	.....	D10/32

\* cited by examiner

*Primary Examiner*—Lucy Lieberman

(74) *Attorney, Agent, or Firm*—Foley & Lardner LLP

(57) **CLAIM**

The ornamental design for a watch, as shown and described.

**DESCRIPTION**

FIG. 1 is a front, top perspective view of a watch showing my new design;

FIG. 2 is a rear perspective view thereof;

FIG. 3 is a front elevation view thereof;

FIG. 4 is a rear elevation view thereof;

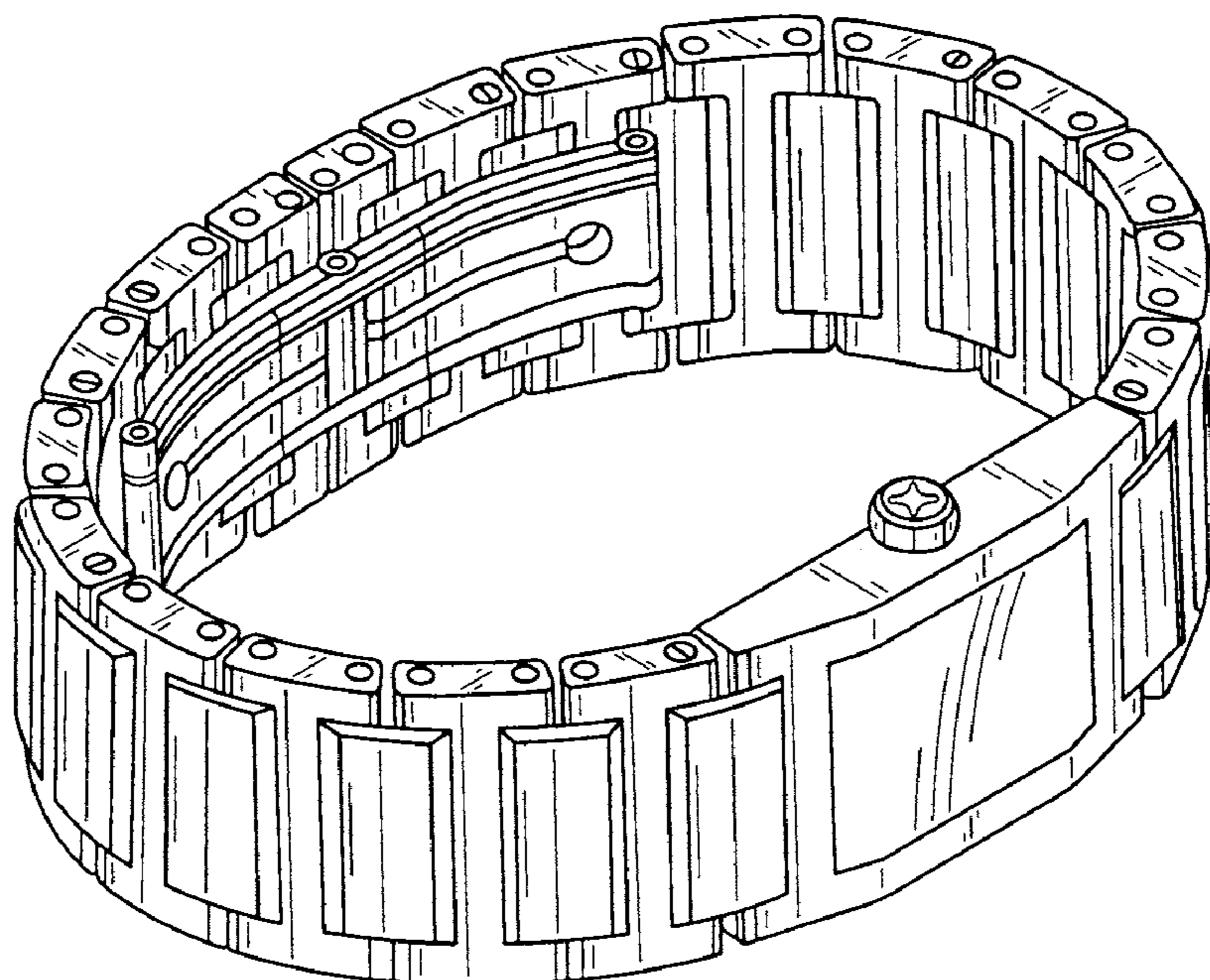
FIG. 5 is a left side view thereof;

FIG. 6 is a right side view thereof;

FIG. 7 is a top plan view thereof; and,

FIG. 8 is a bottom plan view thereof.

**1 Claim, 4 Drawing Sheets**



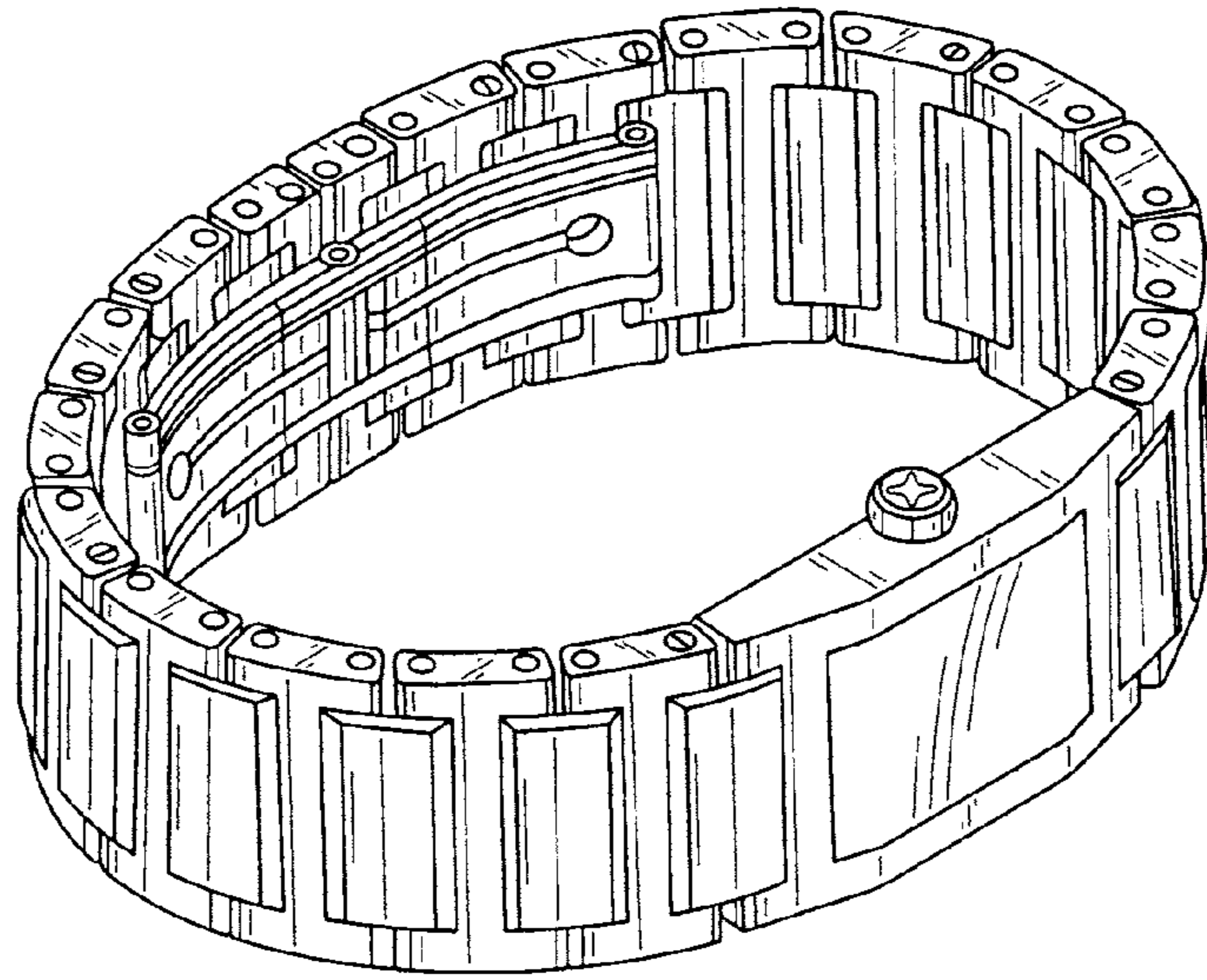


FIG. 1

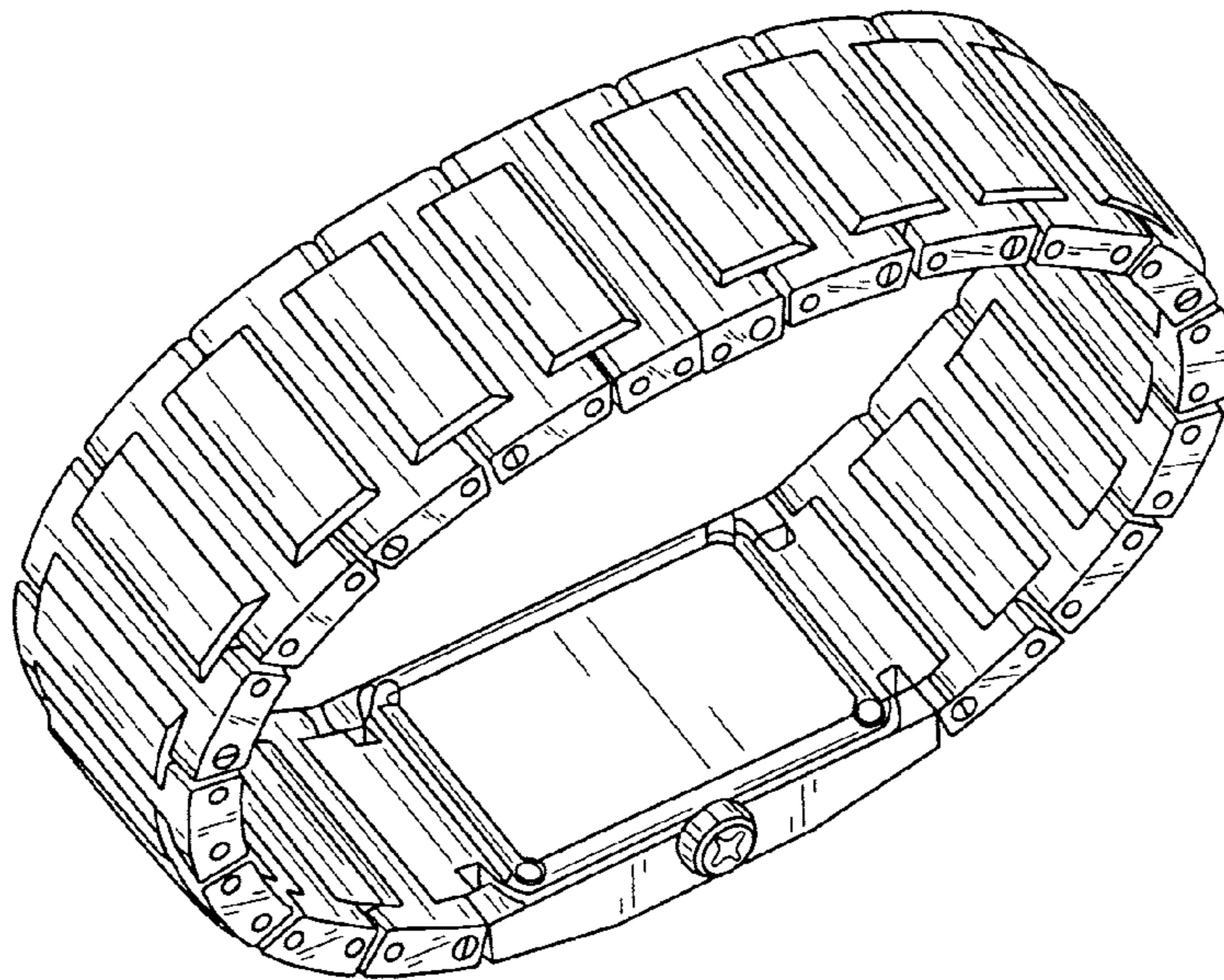


FIG. 2

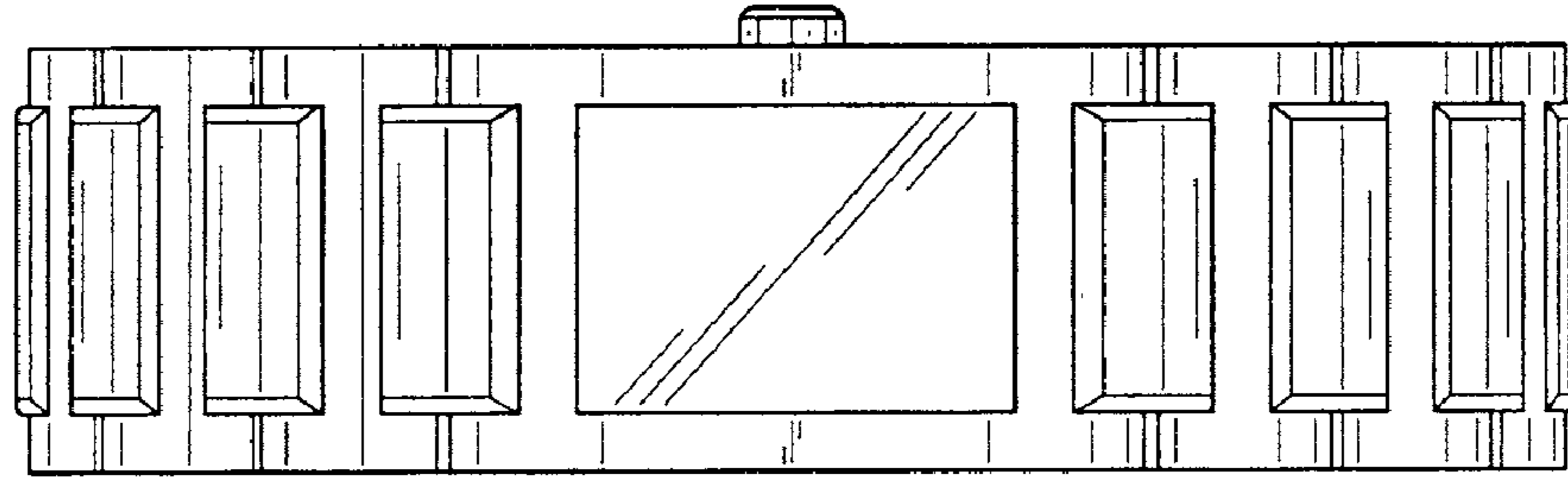


FIG. 3

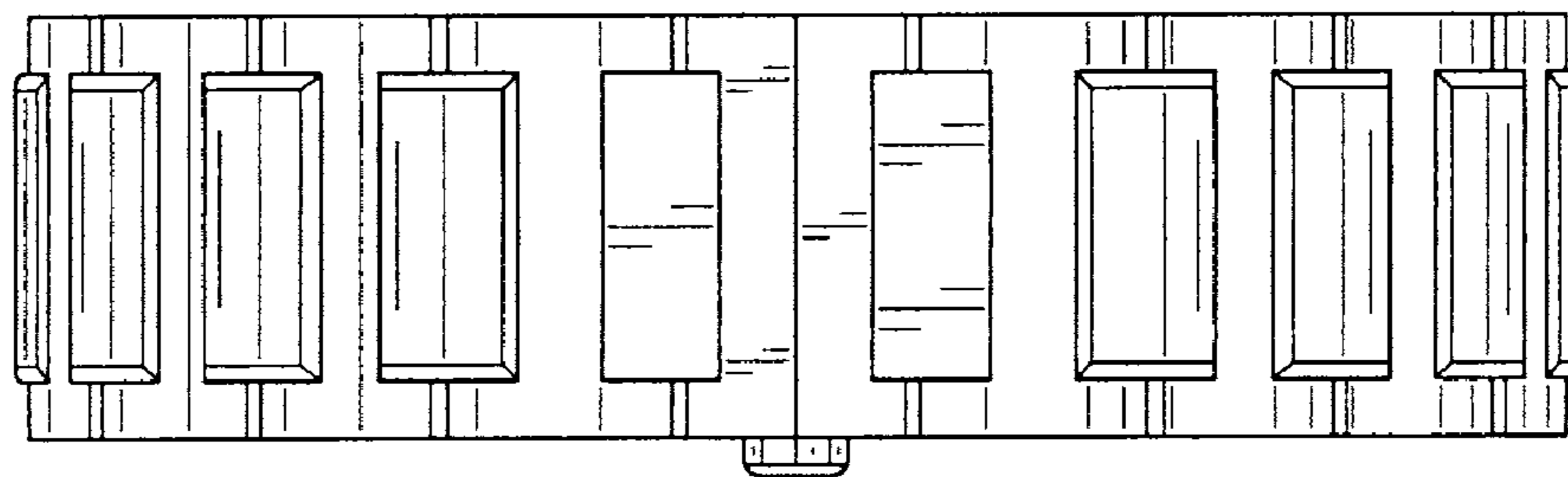


FIG. 4

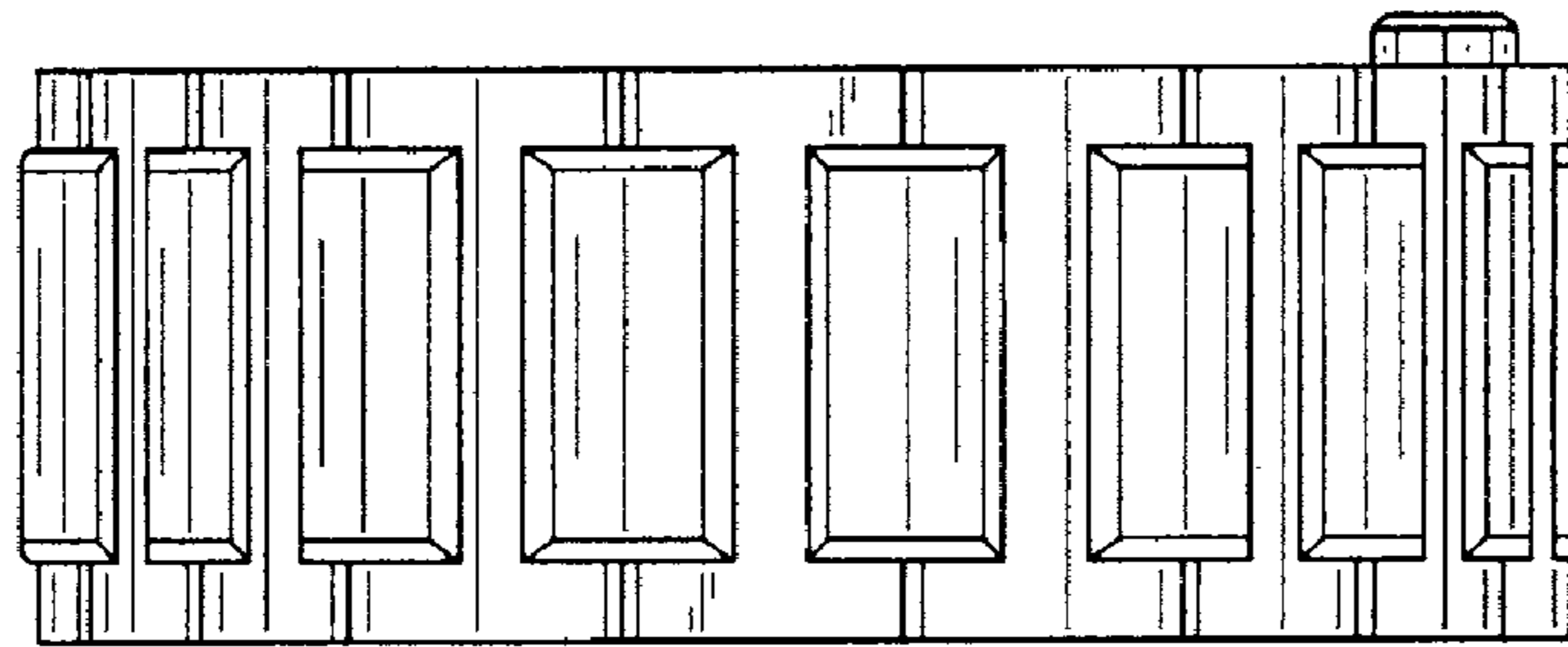


FIG. 5

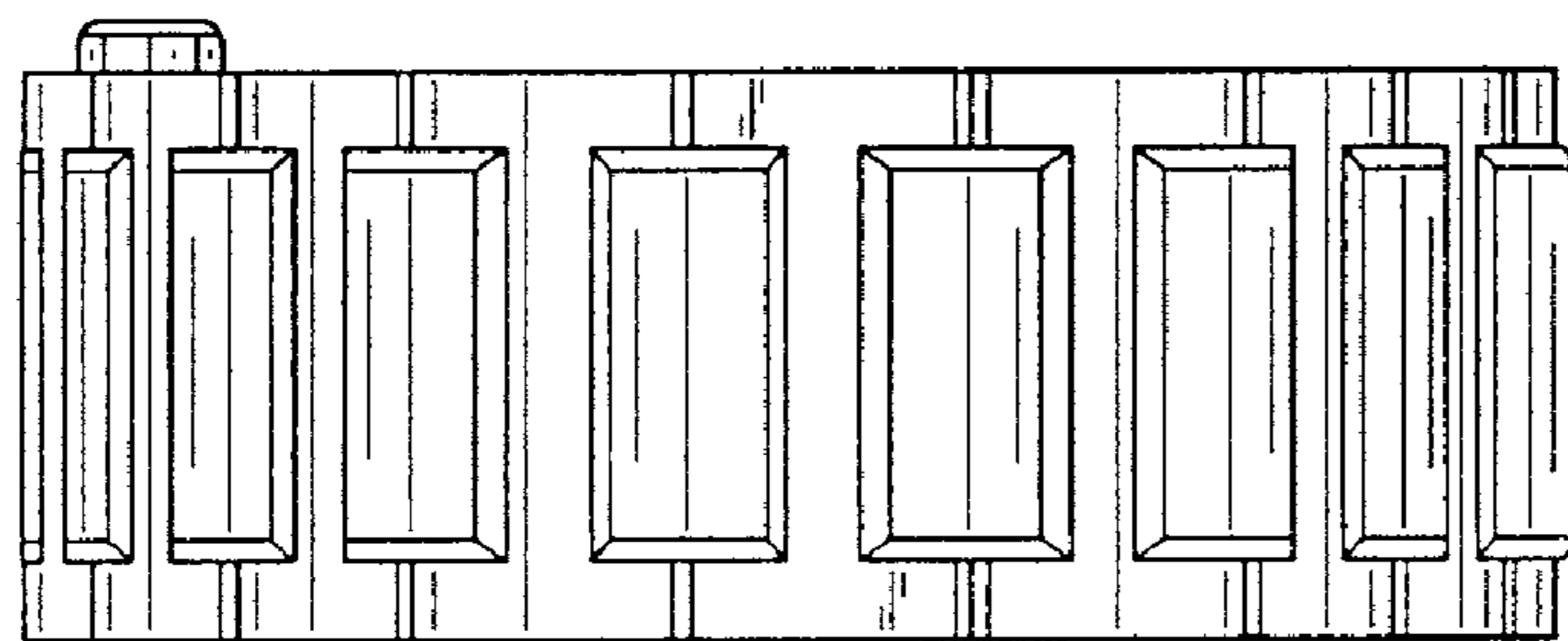


FIG. 6



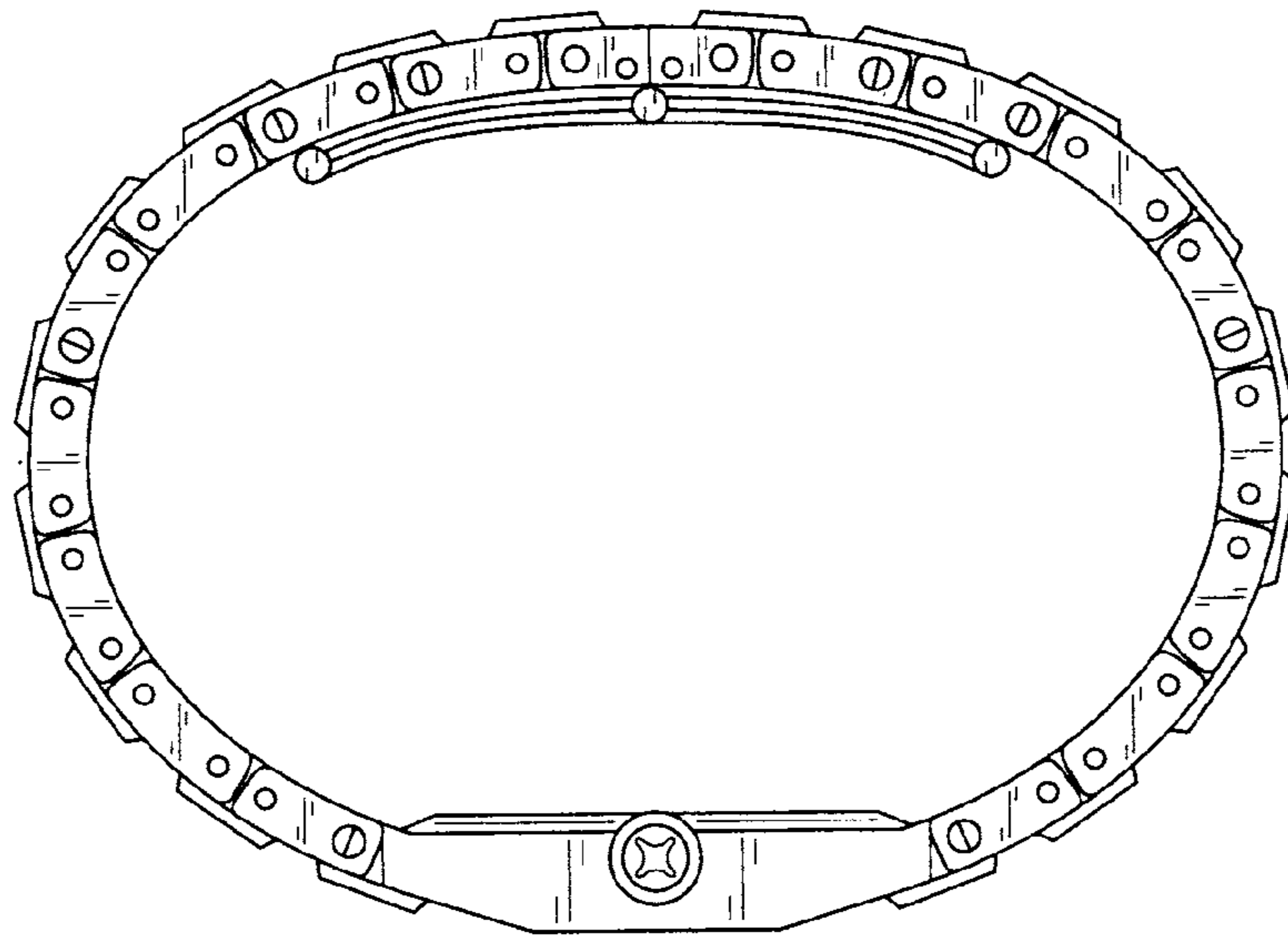


FIG. 7

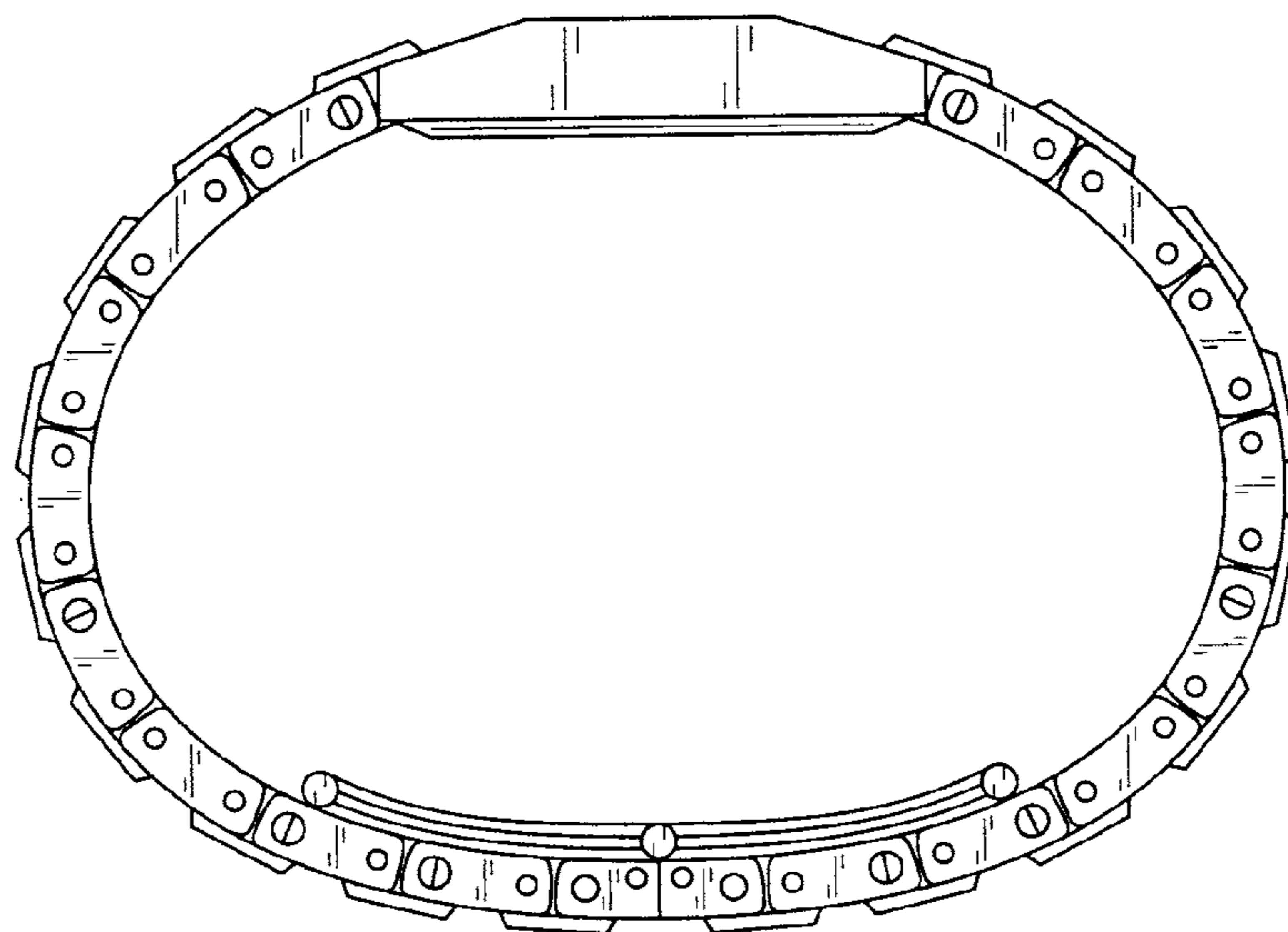


FIG. 8