



US00D578899S

(12) **United States Design Patent**
Mandel et al.

(10) **Patent No.:** **US D578,899 S**
(45) **Date of Patent:** **** Oct. 21, 2008**

(54) **CLOCK FOR STETHOSCOPE**

(75) Inventors: **Logan Flash Mandel**, Los Angeles, CA (US); **Won Y. Jung**, Los Angeles, CA (US)

(73) Assignee: **GMPC, LLC**, Santa Monica, CA (US)

(**) Term: **14 Years**

(21) Appl. No.: **29/282,790**

(22) Filed: **Jul. 30, 2007**

(51) **LOC (8) Cl.** **10-01**

(52) **U.S. Cl.** **D10/15; D10/40**

(58) **Field of Classification Search** D10/1, D10/2-4, 15, 21, 40; 368/276, 277, 278, 368/285, 316, 10

See application file for complete search history.

(56) **References Cited**

U.S. PATENT DOCUMENTS

D285,964 S *	9/1986	Ziebol	D24/134
D294,228 S *	2/1988	Palazzo	D10/38
4,802,550 A *	2/1989	Poore	181/131
D337,952 S *	8/1993	Wolff	D10/30
D346,973 S *	5/1994	Moore et al.	D10/31
D379,935 S *	6/1997	Jornacion	D10/31
D381,589 S *	7/1997	Chan	D10/40
D381,919 S *	8/1997	Stecher	D10/24
D390,133 S *	2/1998	Jordan	D10/40
D391,178 S *	2/1998	Wolff	D10/40
D416,816 S *	11/1999	Wolff	D10/40

D490,717 S *	6/2004	Cetera	D10/31
7,217,031 B2 *	5/2007	Bhavnani	368/316
D551,348 S *	9/2007	Lee	D24/165
7,322,135 B2 *	1/2008	Gulati	40/316

* cited by examiner

Primary Examiner—Lucy Lieberman

(74) *Attorney, Agent, or Firm*—Christie, Parker & Hale, LLP.

(57) **CLAIM**

The ornamental design for a clock for stethoscope, as shown.

DESCRIPTION

FIG. 1 is top plan view of the clock for stethoscope of the invention.

FIG. 2 is bottom view of the clock for stethoscope of the invention.

FIG. 3 is left side view of the clock for stethoscope of the invention.

FIG. 4 is right side view of the clock for stethoscope of the invention.

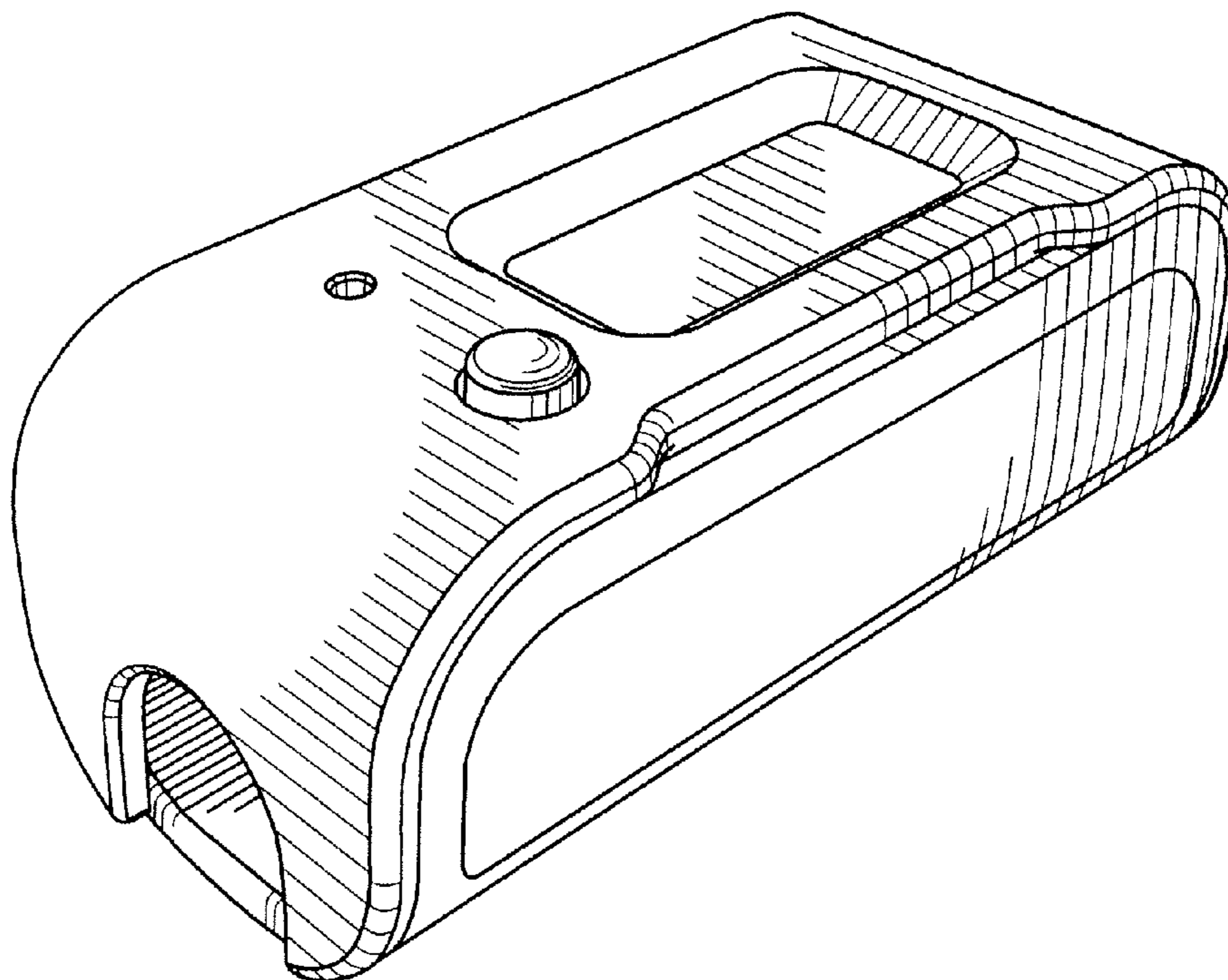
FIG. 5 is rear view of the clock for stethoscope of the invention.

FIG. 6 is front view of the clock for stethoscope of the invention.

FIG. 7 is a top front perspective view of the clock for stethoscope of the invention; and,

FIG. 8 is a rear front perspective view of the clock for stethoscope of the invention.

1 Claim, 5 Drawing Sheets



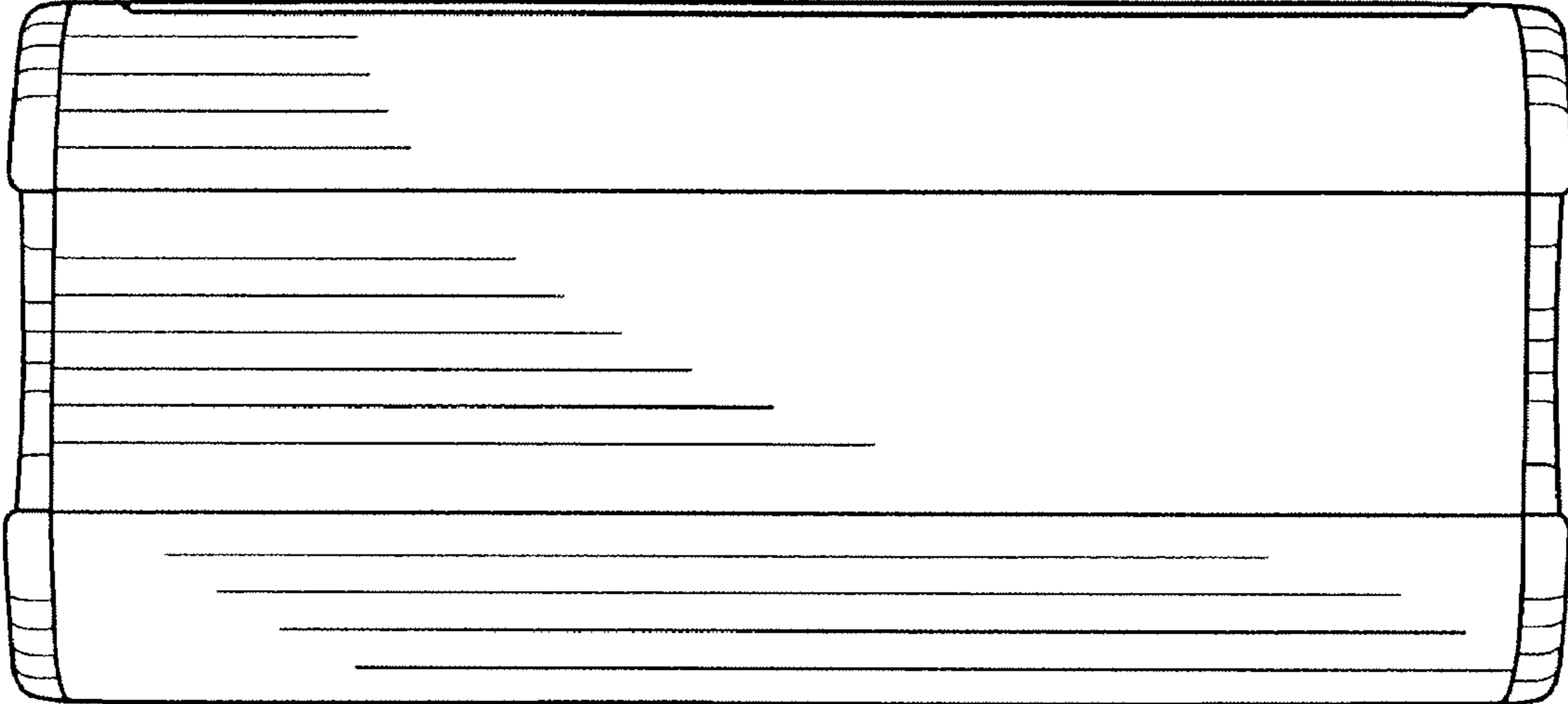


FIG-2

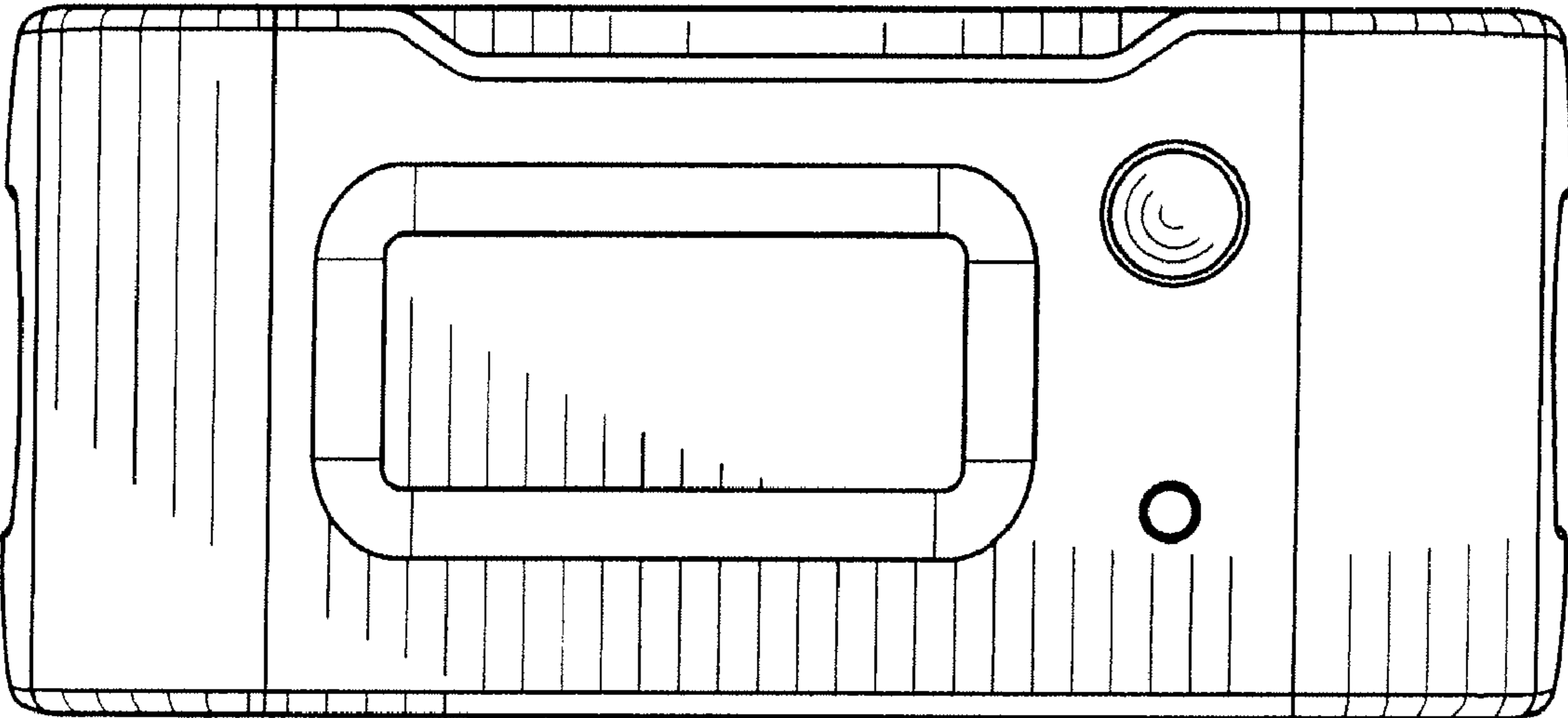


FIG-1

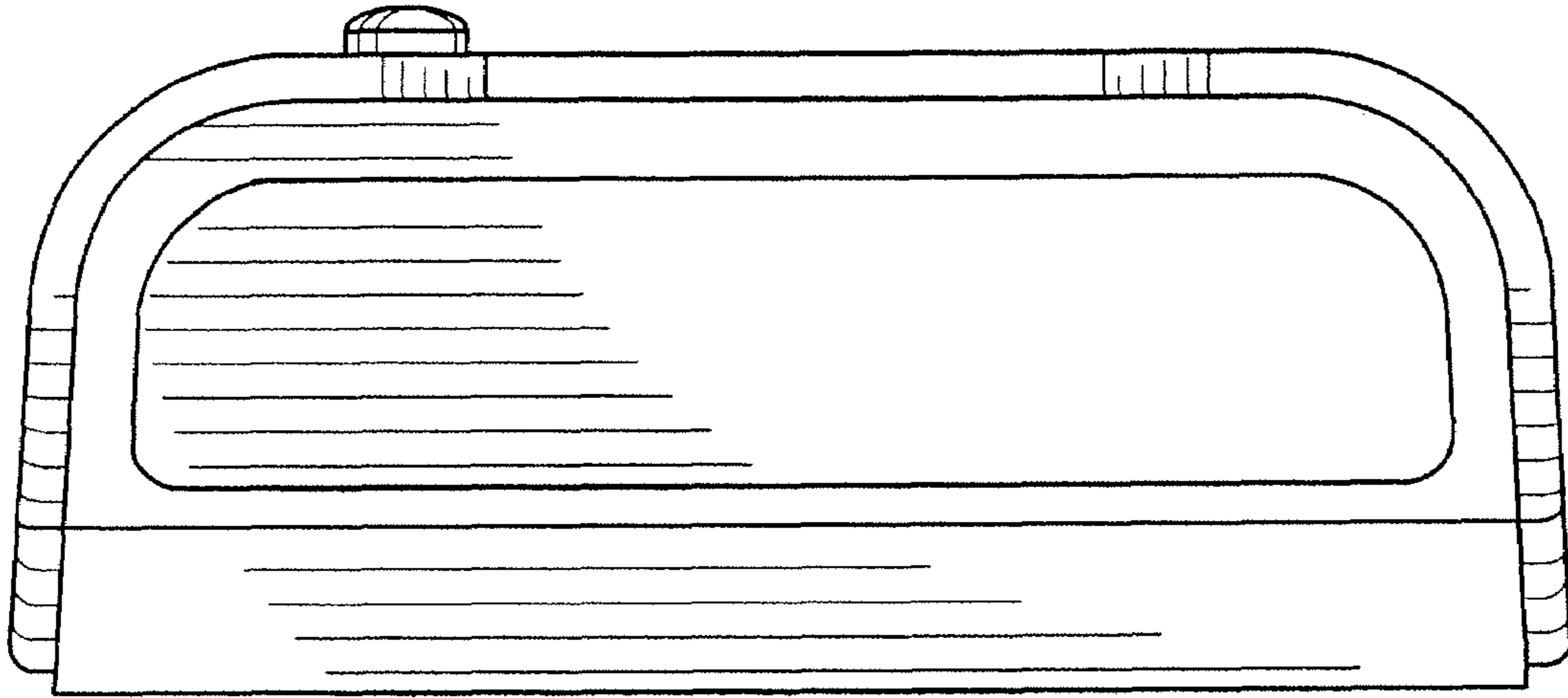


FIG-4

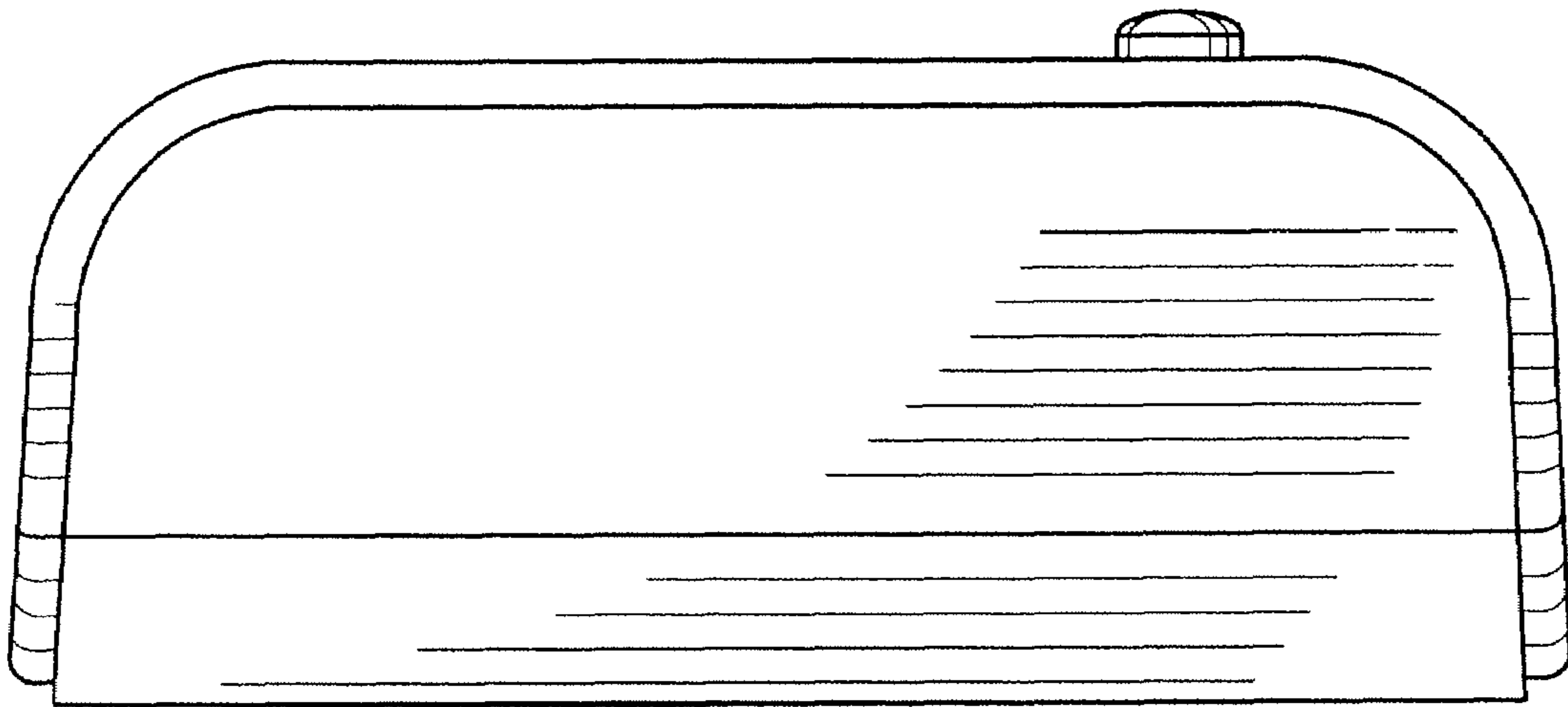


FIG-3

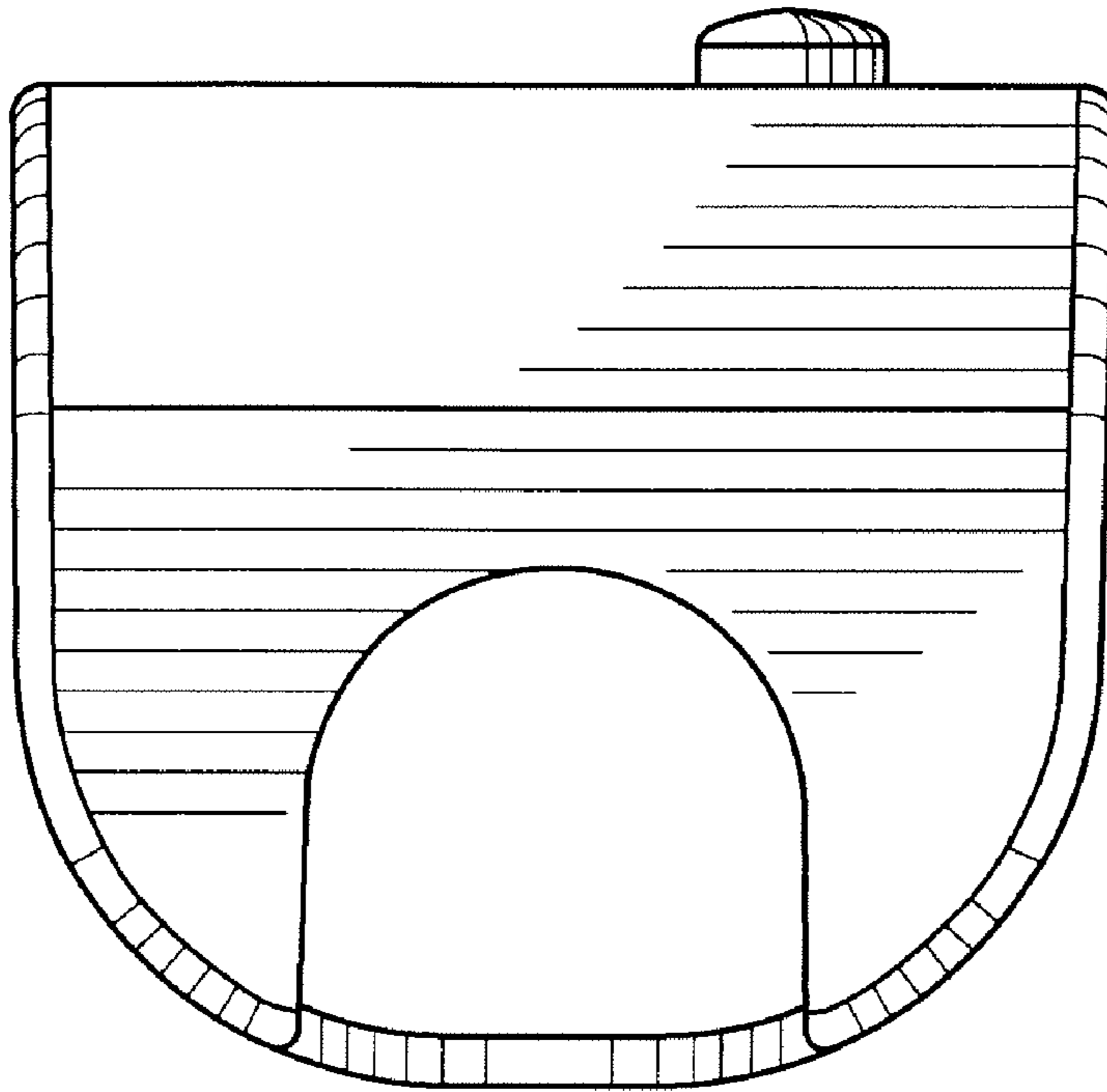


FIG-6

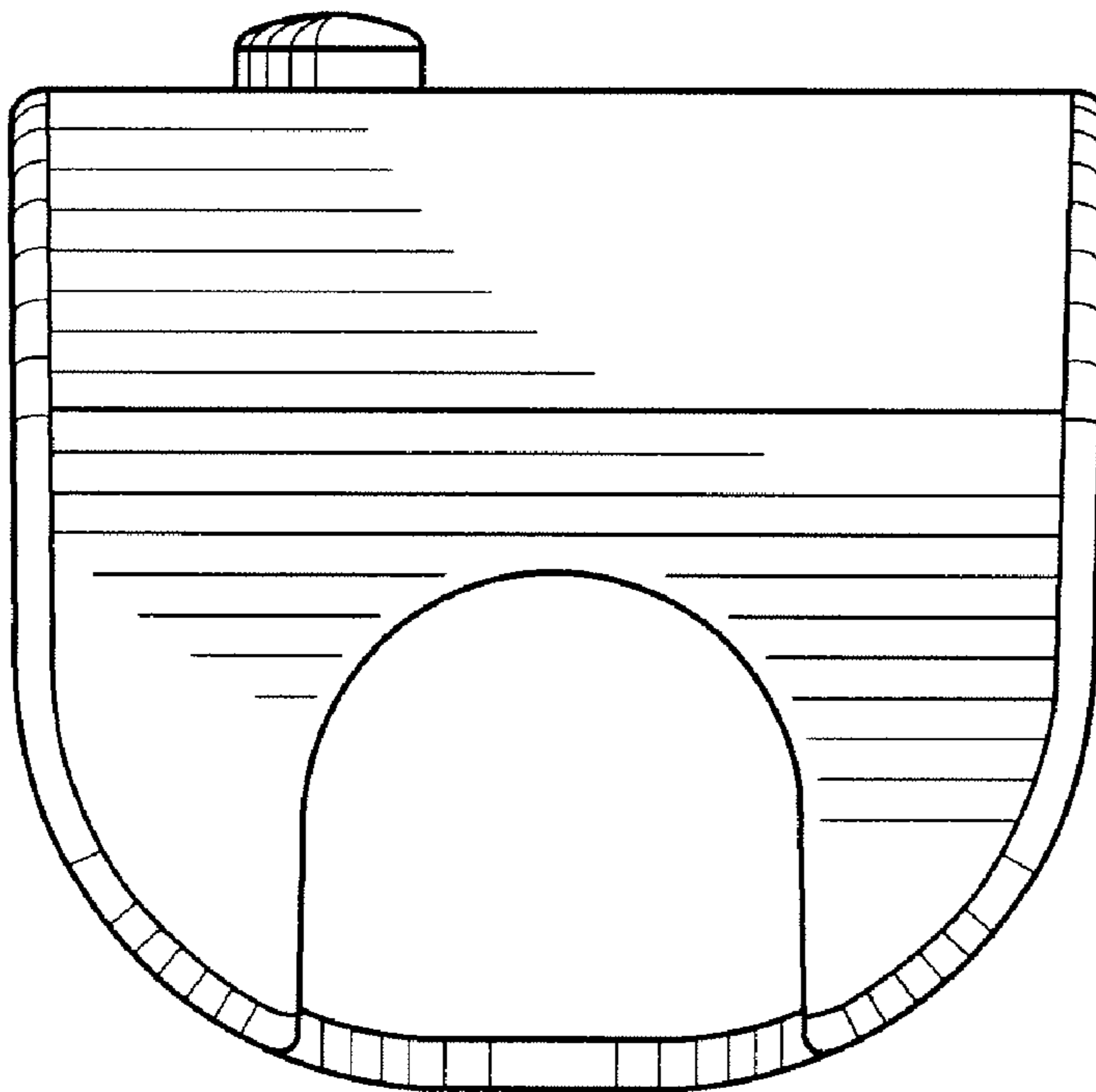


FIG-5

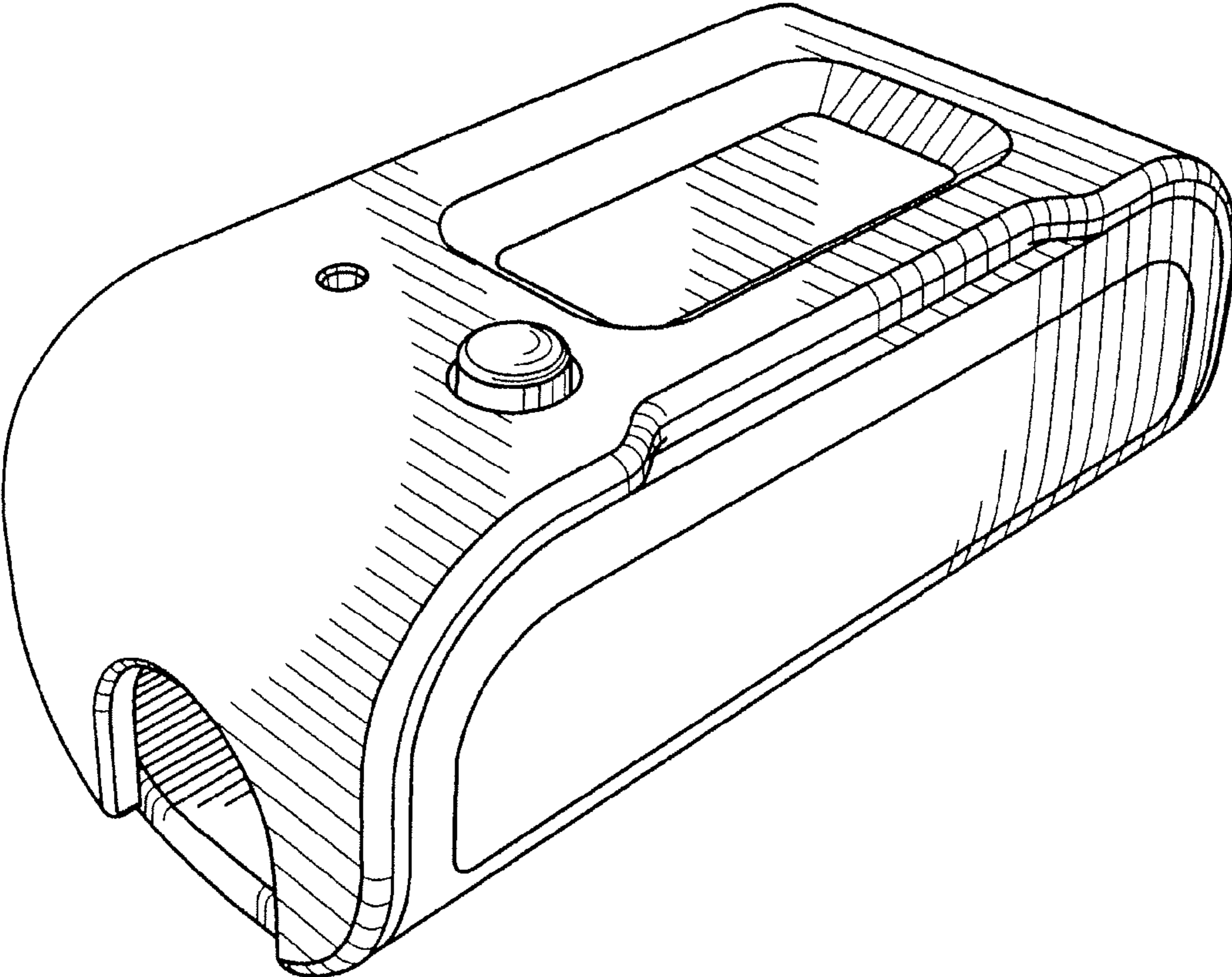


FIG-7

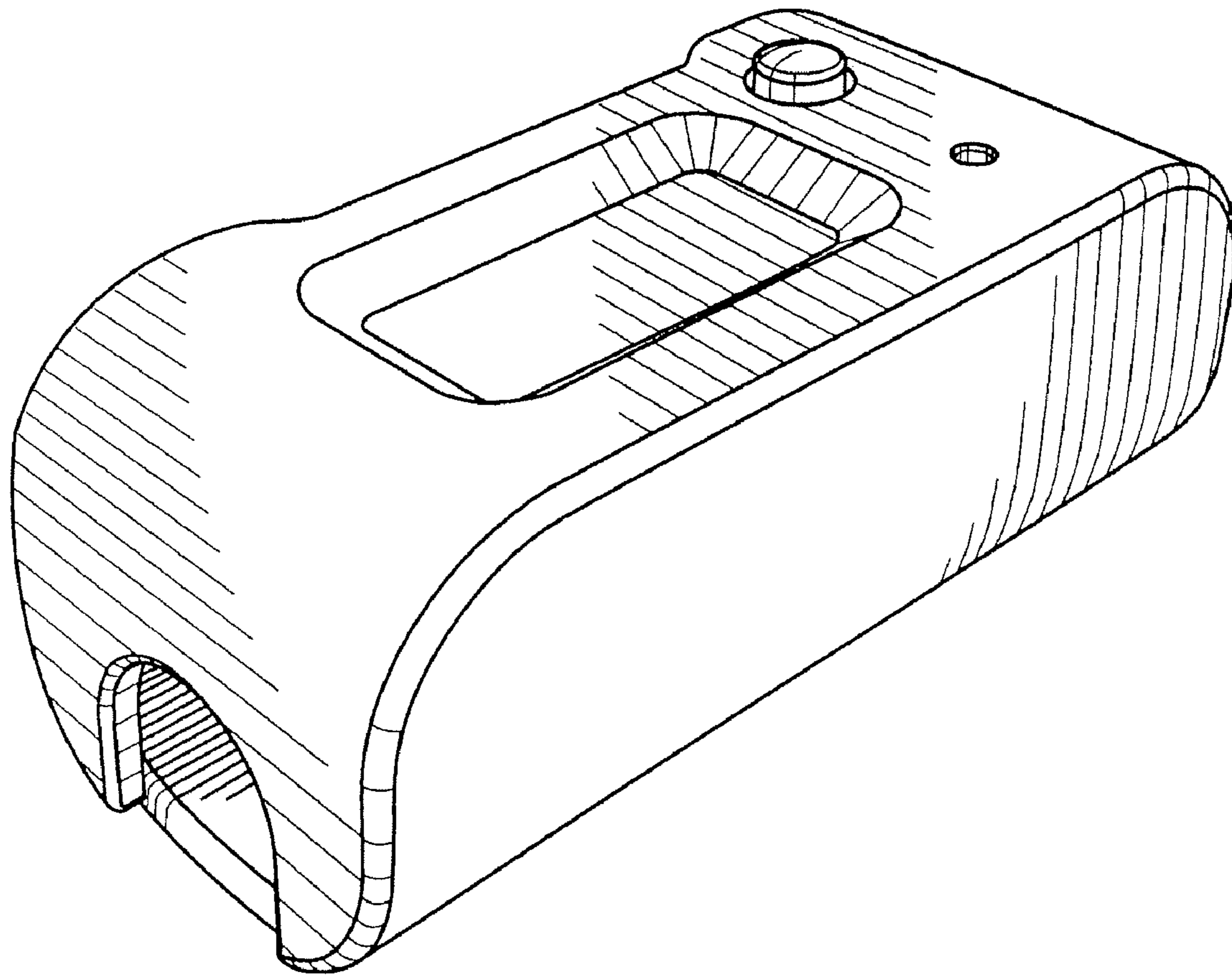


FIG-8