



US00D578891S

(12) **United States Design Patent**
Canamasas Puigbo

(10) **Patent No.:** **US D578,891 S**
(45) **Date of Patent:** **** Oct. 21, 2008**

(54) **BOTTLE**

(76) **Inventor:** **Aniceto Canamasas Puigbo**, Avenida De La Fama, 129, Cornellà De Llobregat, Barcelona (ES) 08940

(**) **Term:** **14 Years**

(21) **Appl. No.:** **29/298,626**

(22) **Filed:** **Dec. 10, 2007**

(30) **Foreign Application Priority Data**

Jun. 14, 2007 (EM) 000739966-0003

(51) **LOC (8) Cl.** **09-01**

(52) **U.S. Cl.** **D9/500**

(58) **Field of Classification Search** D9/500,
D9/502-505, 516, 529, 549, 558, 682, 686,
D9/688-692, 905; D3/203.2, 203.3; D28/7-8,
D28/76, 78, 82, 91; 215/379-385; 220/660,
220/662, 669, 675

See application file for complete search history.

(56) **References Cited**

U.S. PATENT DOCUMENTS

D98,055 S * 1/1936 Conner D9/502
2,076,549 A * 4/1937 Conner 215/6

2,711,766 A * 6/1955 Archer et al. 220/62.18
3,244,313 A * 4/1966 Miles 220/288
3,550,803 A * 12/1970 Pierre 215/12.1
D243,065 S * 1/1977 Picker D9/503
D377,757 S * 2/1997 Bertolini et al. D9/503
D444,702 S * 7/2001 Castleberry, II D9/746
D532,937 S * 11/2006 Noh D28/76
D555,835 S * 11/2007 Song D28/76
2005/0011895 A1 * 1/2005 Lin 220/300

* cited by examiner

Primary Examiner—Ian Simmons

Assistant Examiner—Dana L Sipos

(74) *Attorney, Agent, or Firm*—Sturm & Fix LLP

(57) **CLAIM**

The ornamental design for a bottle, as shown and described.

DESCRIPTION

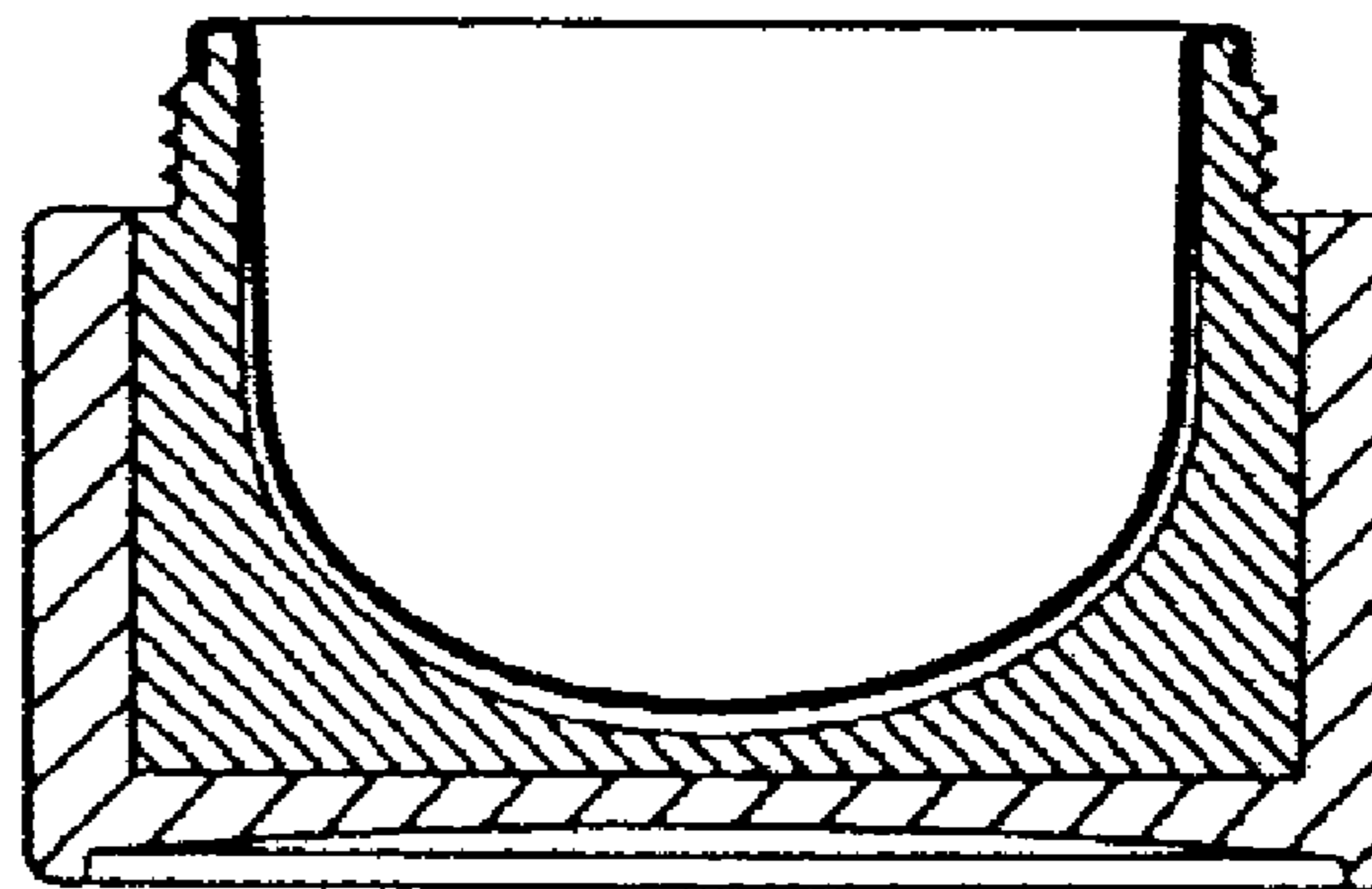
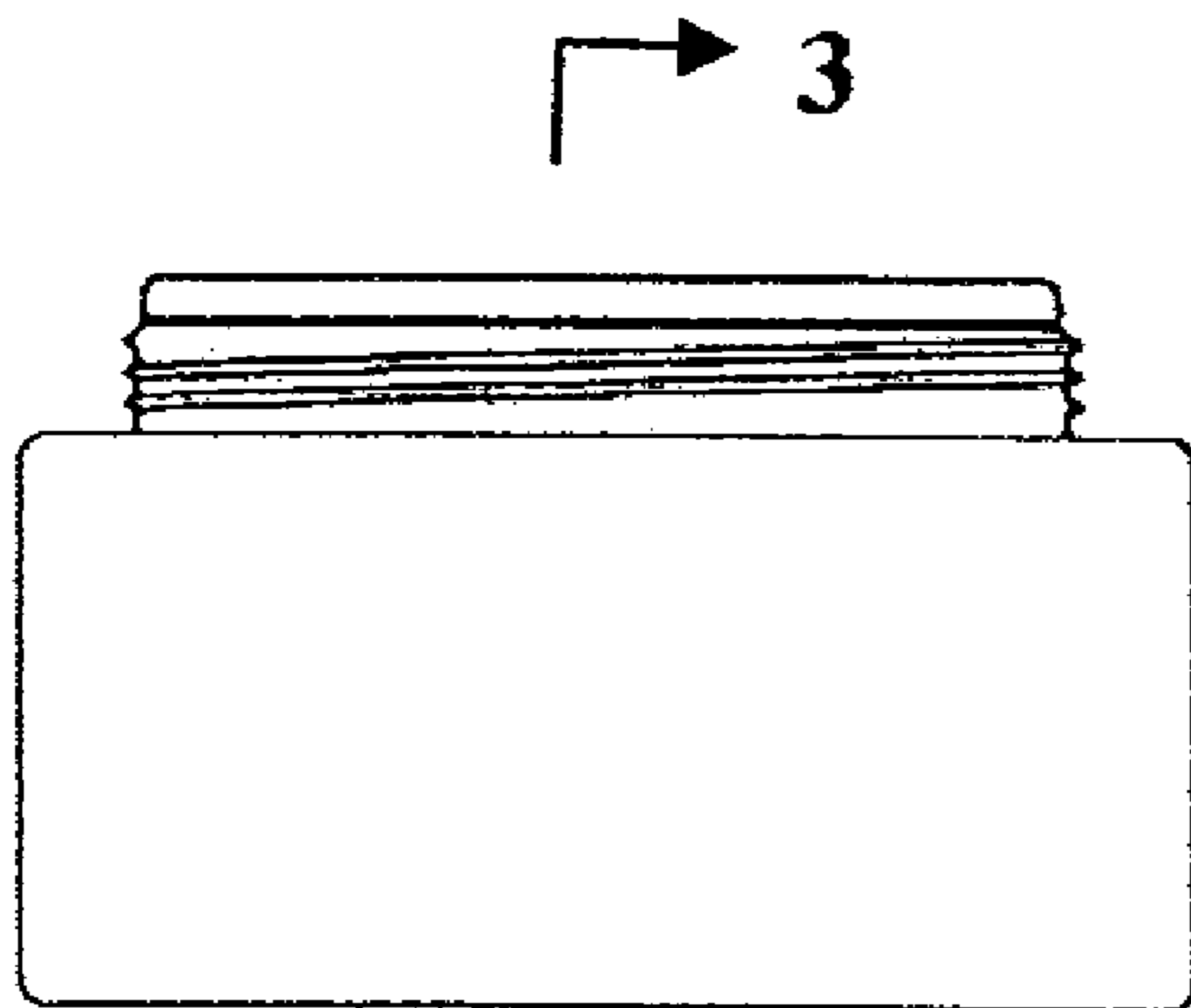
FIG. 1 is a bottom plan view of a bottle showing my new design;

FIG. 2 is a front elevation view thereof, the rear elevation view being identical;

FIG. 3 is a cross-section view taken along the line 3—3 in FIG. 2; and,

FIG. 4 is a top plan view thereof.

1 Claim, 1 Drawing Sheet



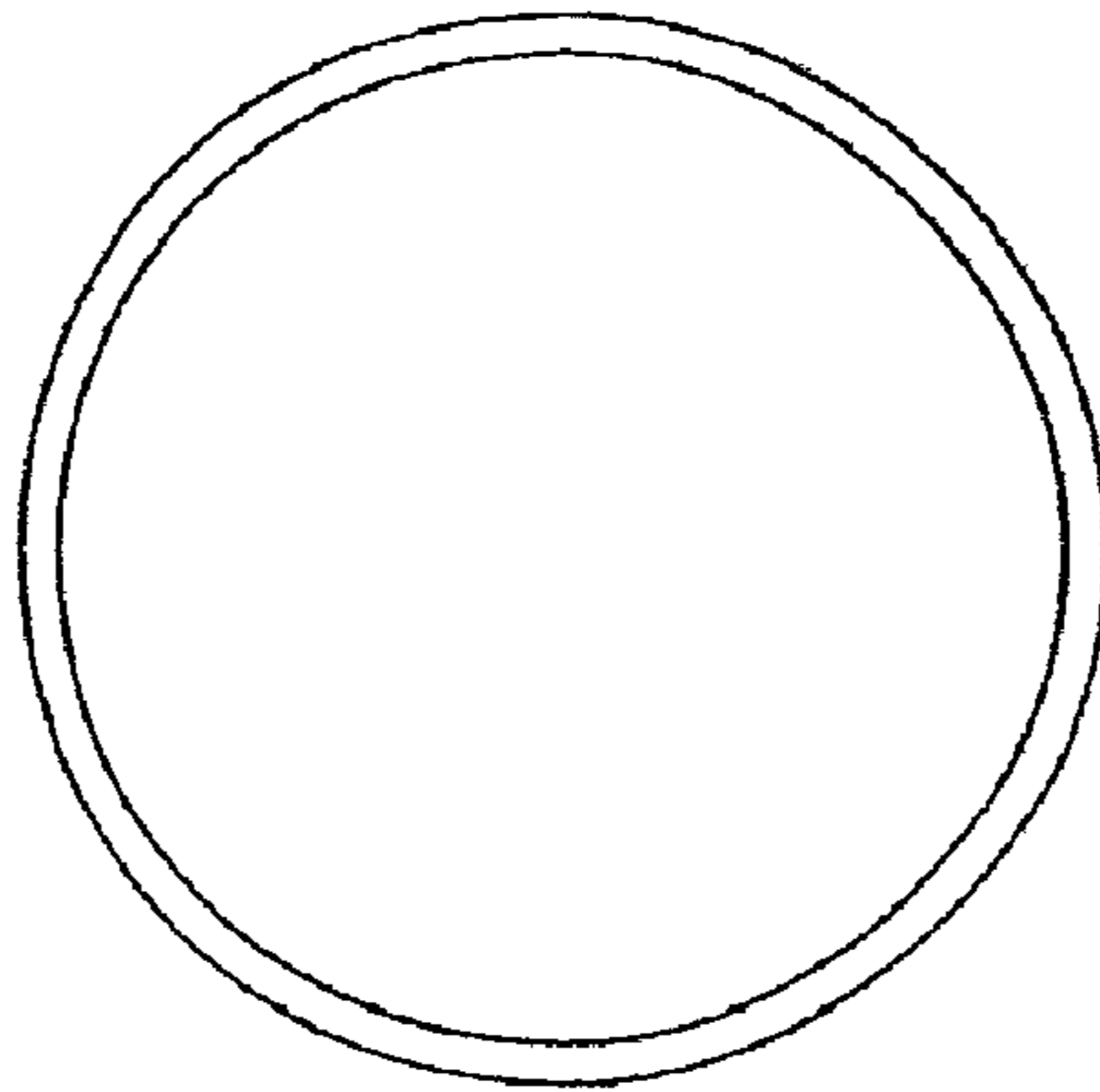


FIG. 1

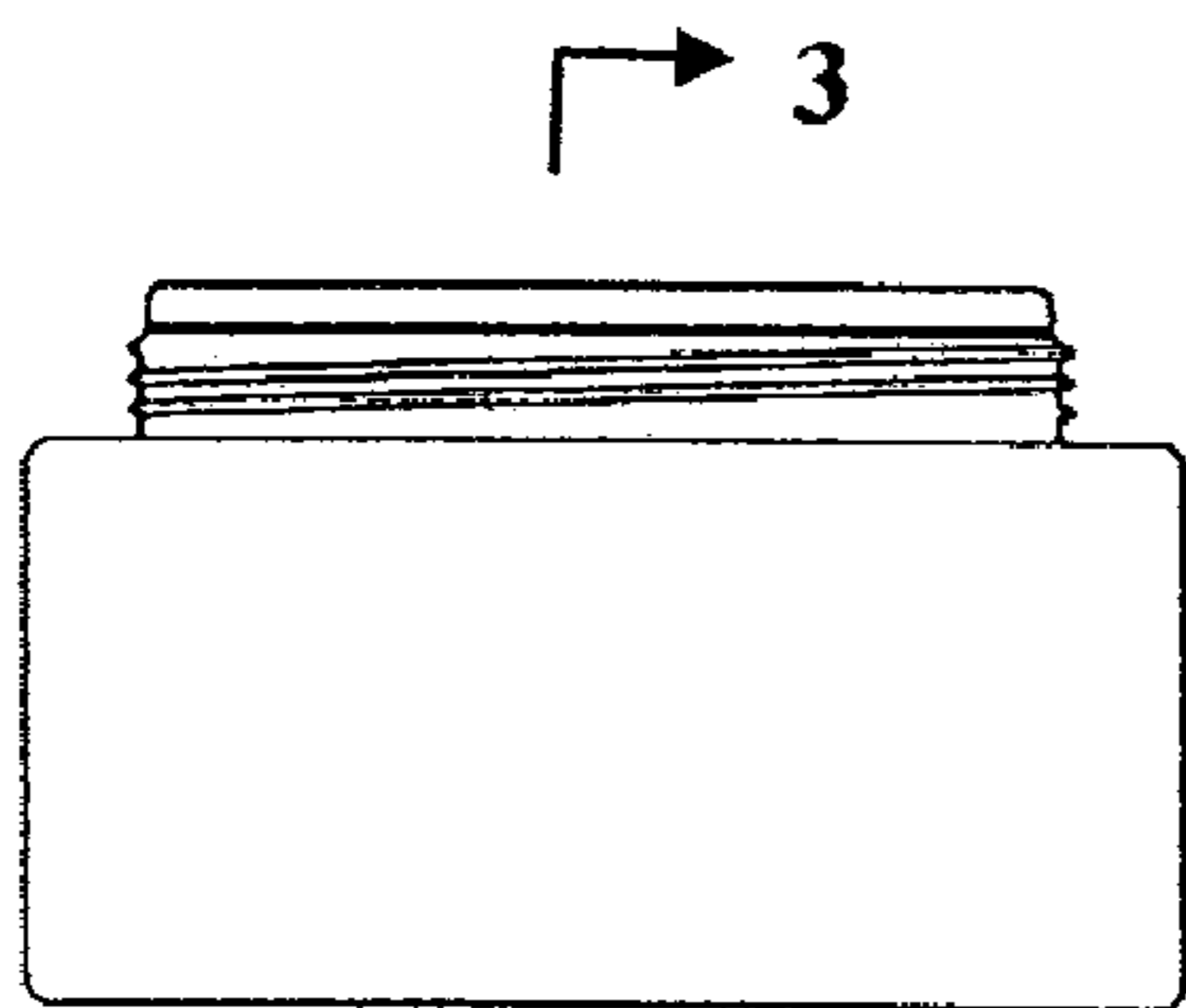


FIG. 2

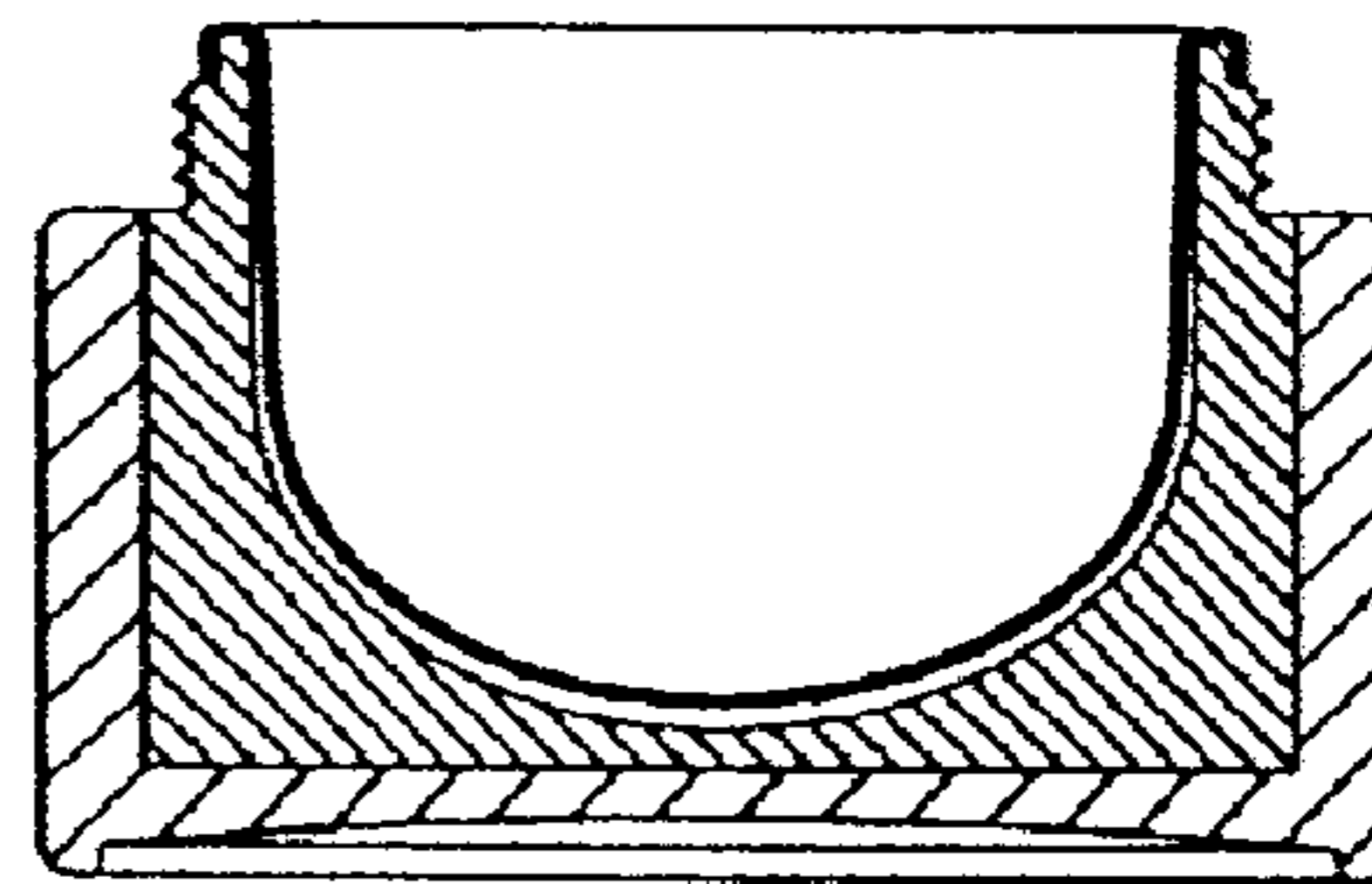


FIG. 3

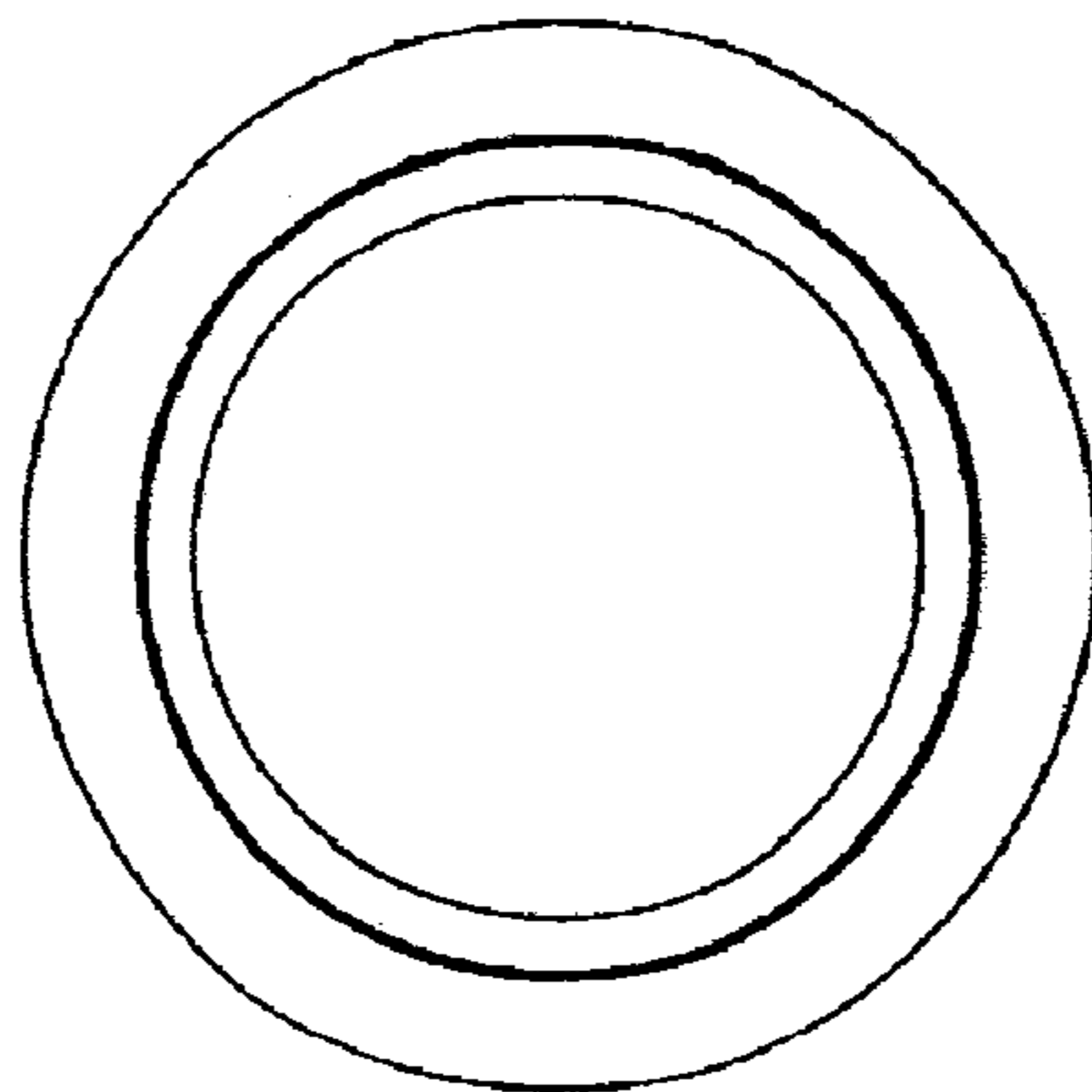


FIG. 4