



US00D578890S

(12) **United States Design Patent**
Swanson et al.

(10) **Patent No.:** **US D578,890 S**
(45) **Date of Patent:** **** Oct. 21, 2008**

(54) **LID FOR JAR**

(75) Inventors: **Ian Josiah Swanson**, New York, NY (US); **Douglas Scott Miller**, Lebanon, OH (US)

(73) Assignee: **The Procter & Gamble Company**, Cincinnati, OH (US)

(**) Term: **14 Years**

(21) Appl. No.: **29/288,511**

(22) Filed: **Jun. 13, 2007**

(51) **LOC (8) Cl.** **09-07**

(52) **U.S. Cl.** **D9/453; D9/454; D9/435**

(58) **Field of Classification Search** D9/454,
D9/453, 452, 451, 447, 443, 441, 438, 435;
D7/396.4, 391; D23/250; 215/329, 305,
215/295, 256, 252, 246

See application file for complete search history.

(56) **References Cited**

U.S. PATENT DOCUMENTS

D96,766 S *	9/1935	Kronman	D9/453
D153,956 S *	5/1949	Lay	D9/453
D202,938 S *	11/1965	Danks	D9/453
D291,868 S *	9/1987	Hindle	D9/453
D316,293 S *	4/1991	Ragonot	D23/250
D375,264 S *	11/1996	Galarza et al.	D9/453
D441,432 S *	5/2001	Fleischmann	D23/252

* cited by examiner

Primary Examiner—Gary D. Watson

Assistant Examiner—Susan Bennett Hattan

(74) *Attorney, Agent, or Firm*—Jason J. Camp; Brian M. Bolam; Linda M. Sivik

(57) **CLAIM**

The ornamental design for a lid for jar, as shown and described.

DESCRIPTION

FIG. 1 is a perspective view of a first embodiment of a lid for jar showing our new design;

FIG. 2 is a front side view of the lid for jar as shown in FIG. 1;

FIG. 3 is a back side view of the lid for jar as shown in FIG. 1;

FIG. 4 is a right side view of the lid for jar as shown in FIG. 1;

FIG. 5 is a left side view of the lid for jar as shown in FIG. 1;

FIG. 6 is a top view of the lid for jar as shown in FIG. 1;

FIG. 7 is a bottom view of the lid for jar as shown in FIG. 1;

FIG. 8 is a perspective view of a second embodiment of a lid for jar showing our new design;

FIG. 9 is a front side view of the lid for jar as shown in FIG. 8;

FIG. 10 is a back side view of the lid for jar as shown in FIG. 8;

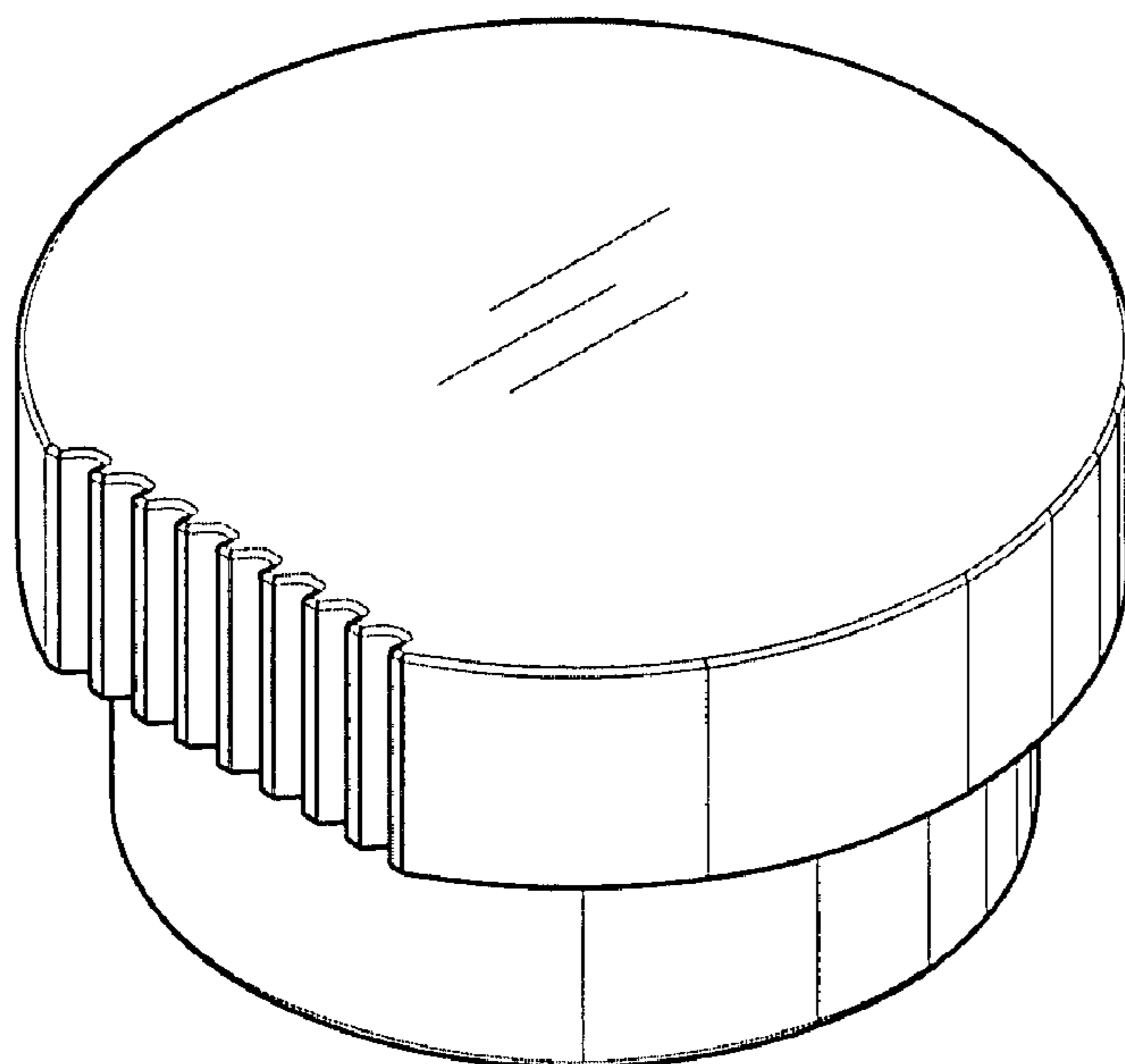
FIG. 11 is a right side view of the lid for jar as shown in FIG. 8;

FIG. 12 is a left side view of the lid for jar as shown in FIG. 8;

FIG. 13 is a top view of the lid for jar as shown in FIG. 8; and, FIG. 14 is a bottom view of the lid for jar as shown in FIG. 8.

The broken lines shown are for illustrative purposes only and form no part of the claimed design.

1 Claim, 8 Drawing Sheets



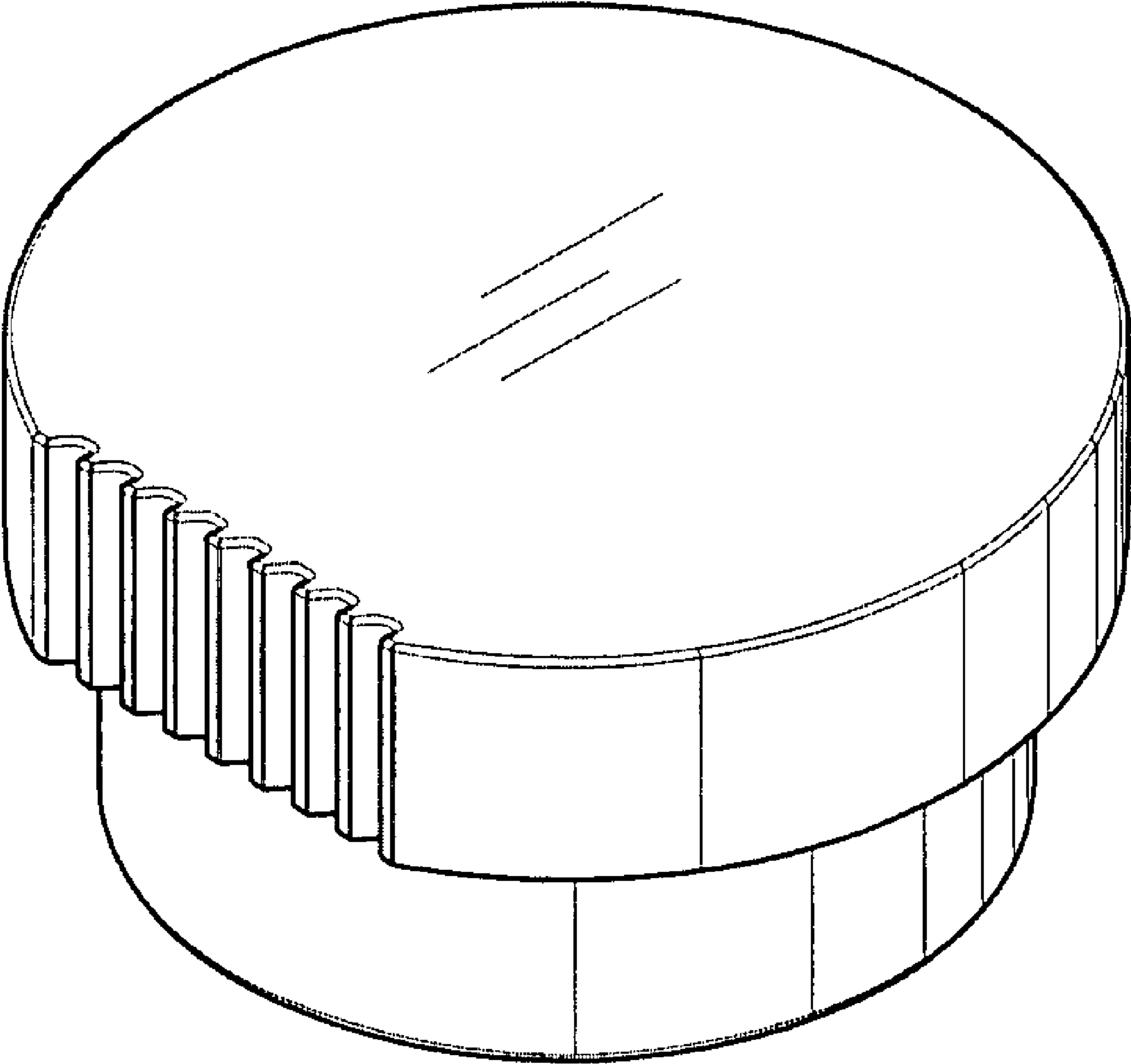


Fig. 1

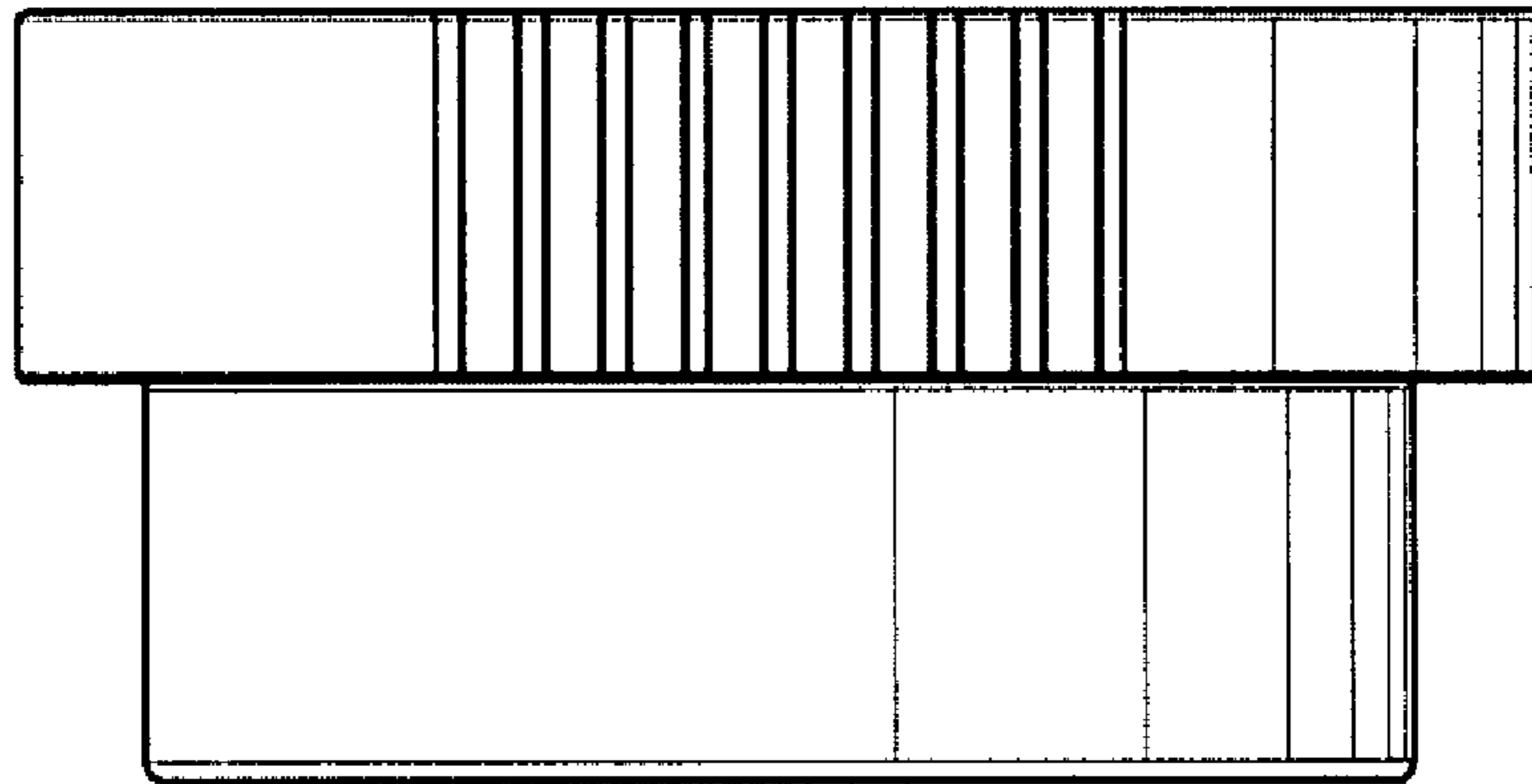


Fig. 2

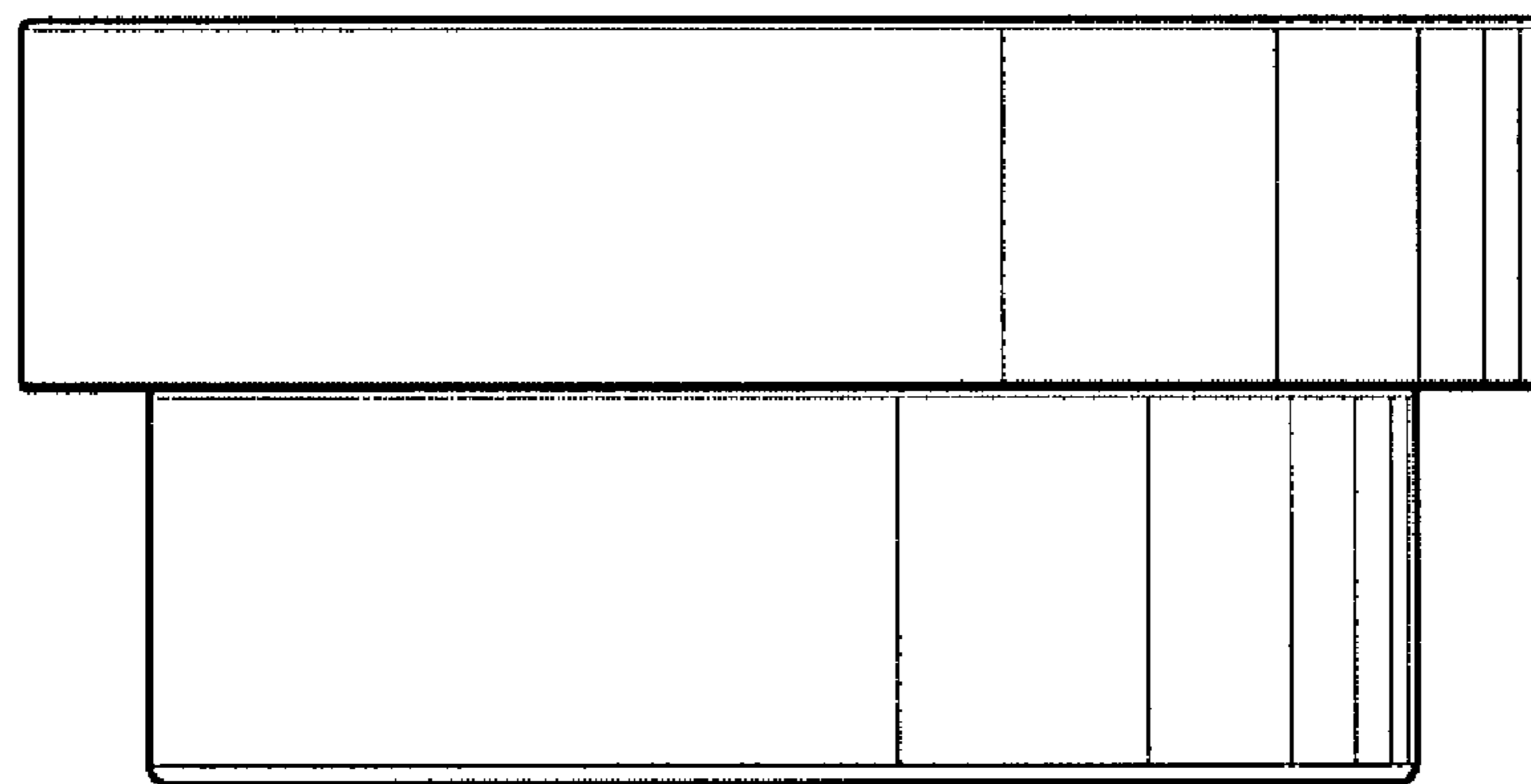


Fig. 3

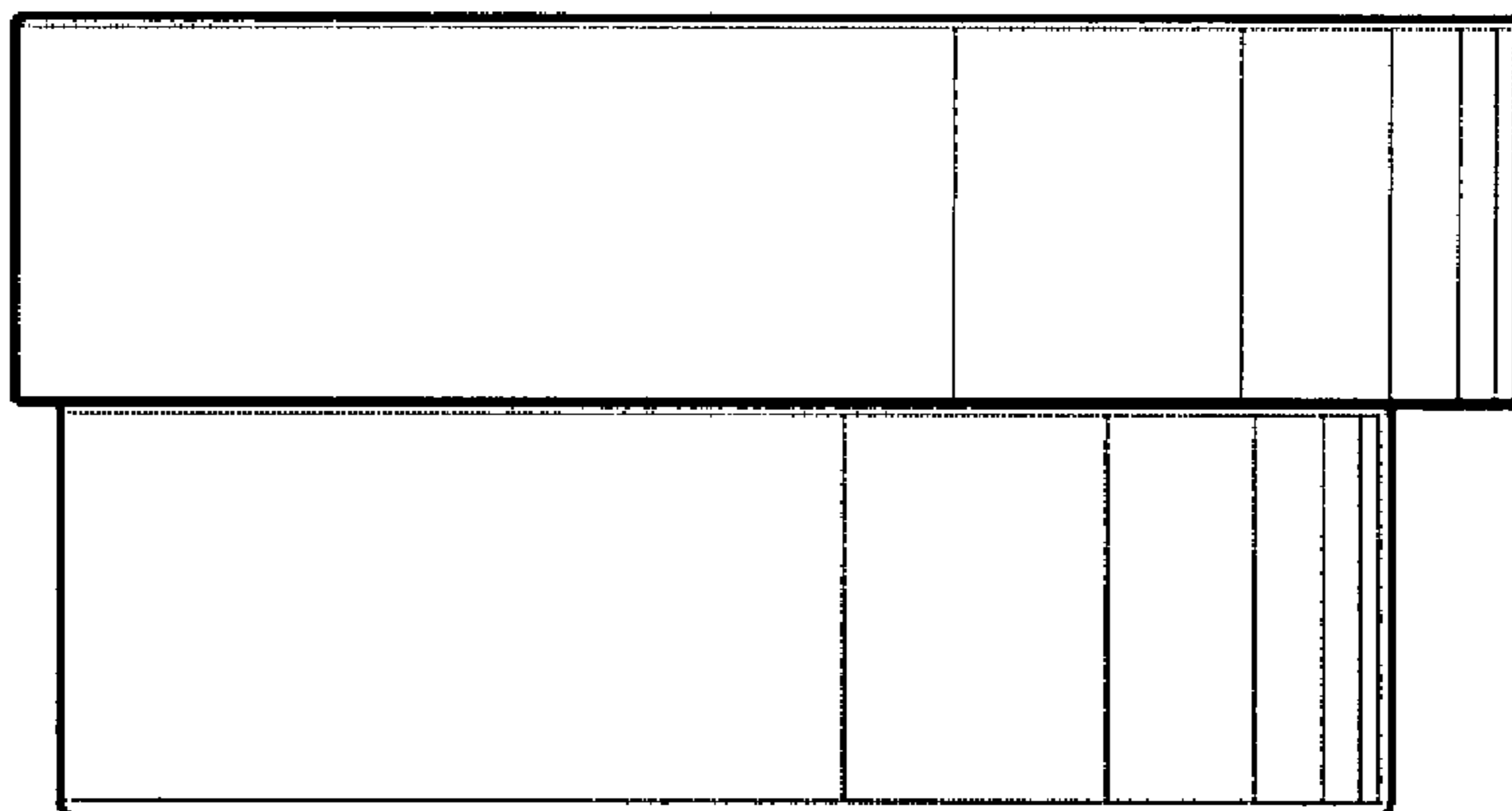


Fig. 4

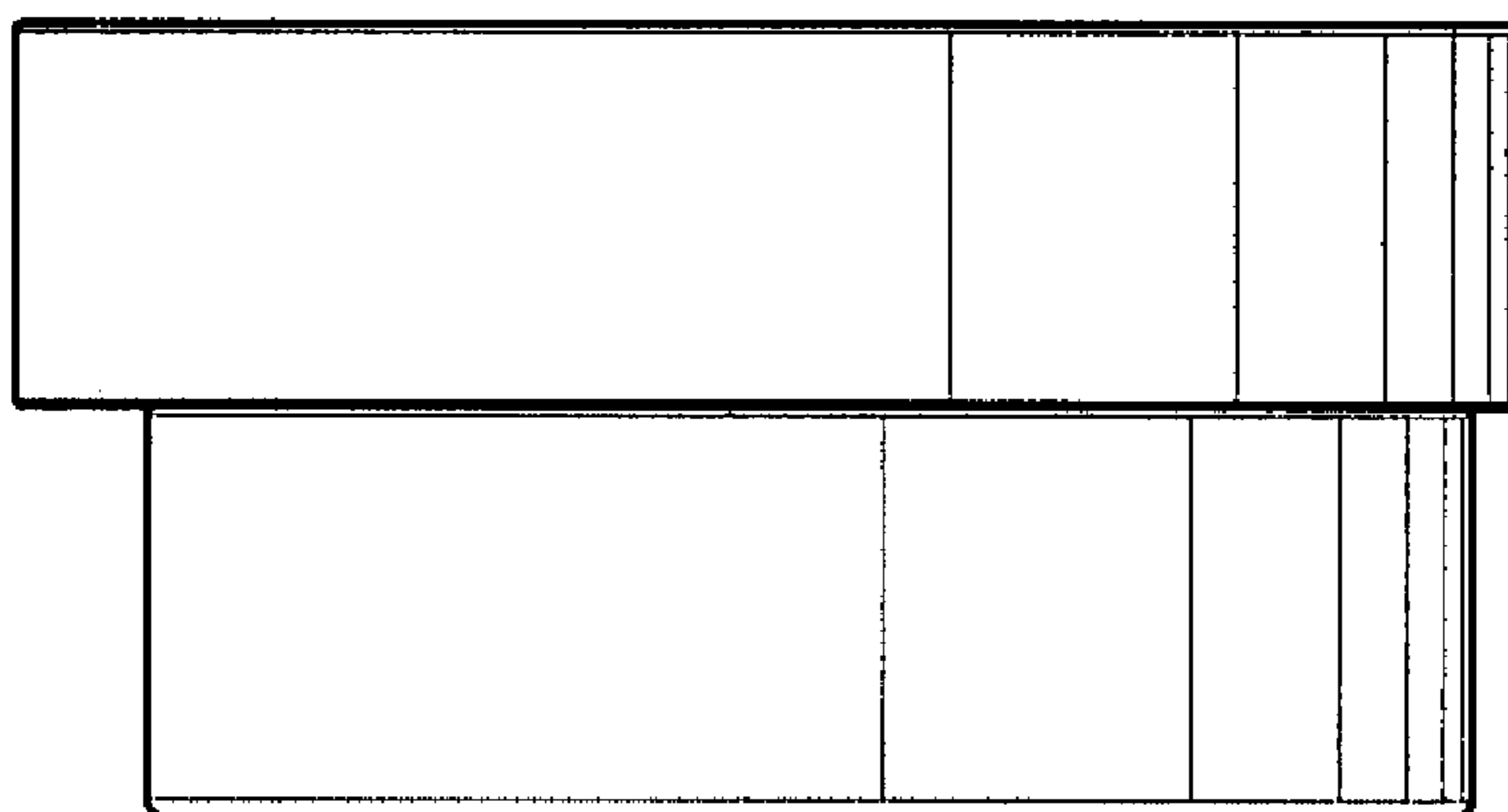


Fig. 5

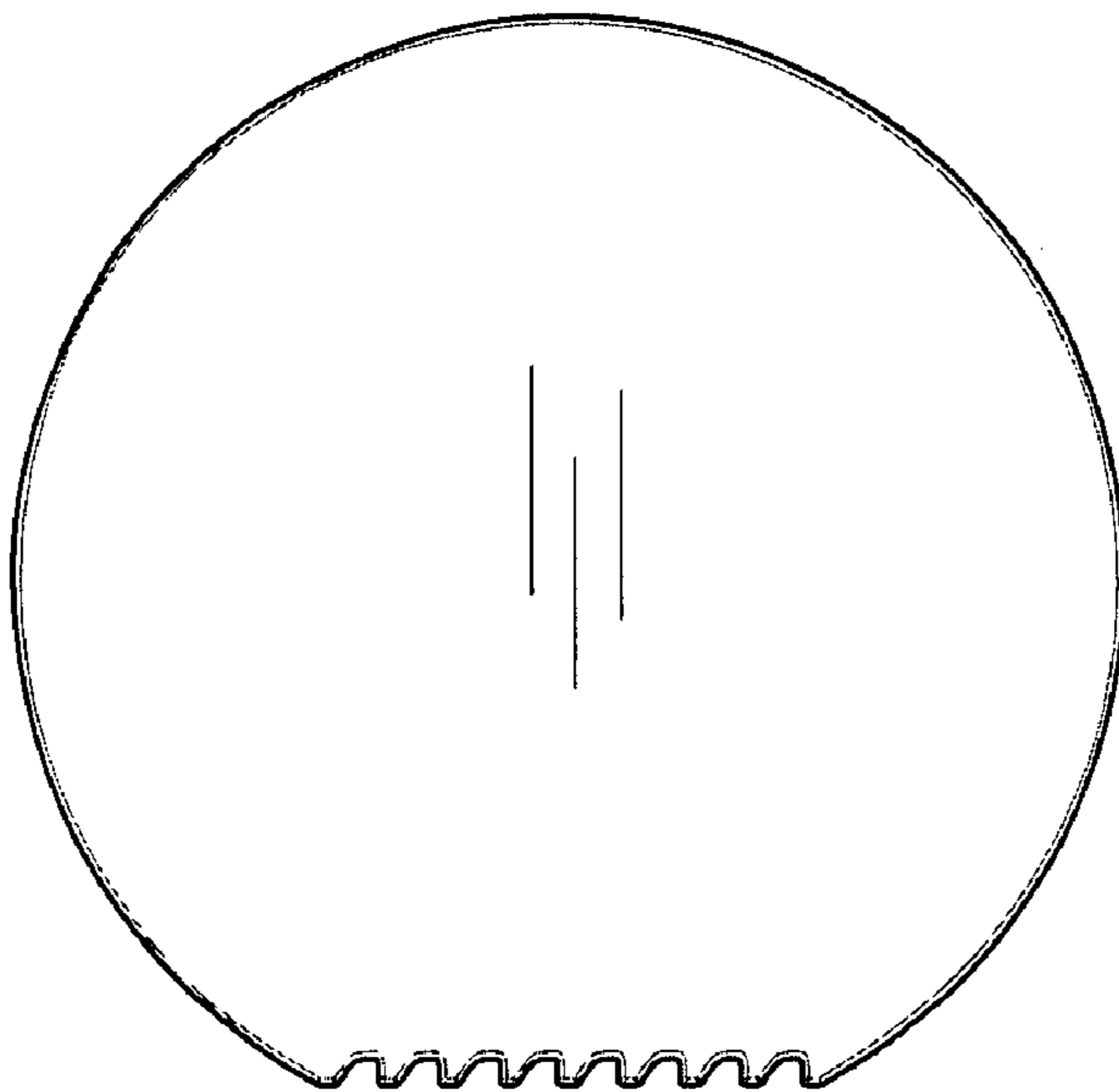


Fig. 6

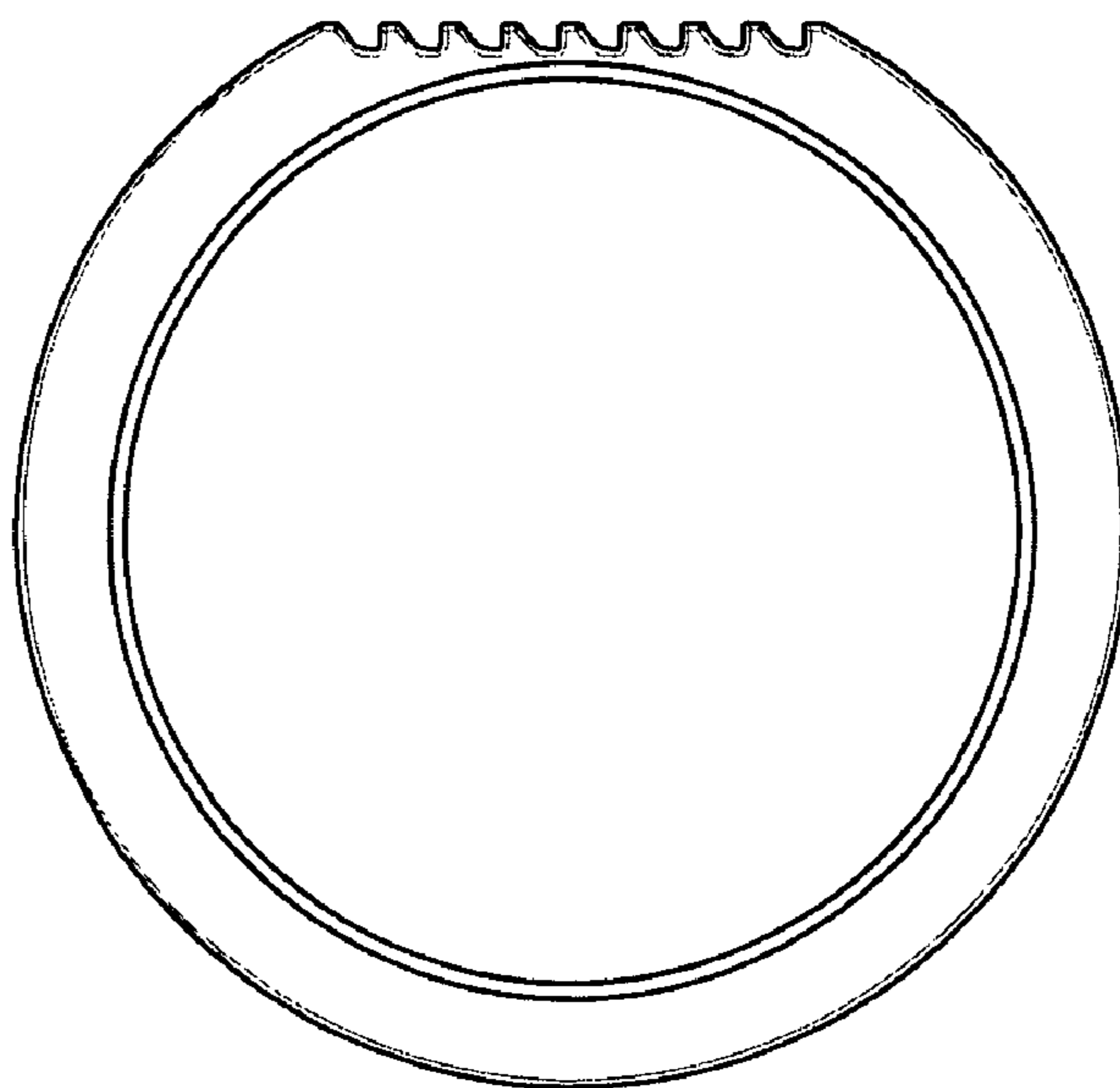


Fig. 7

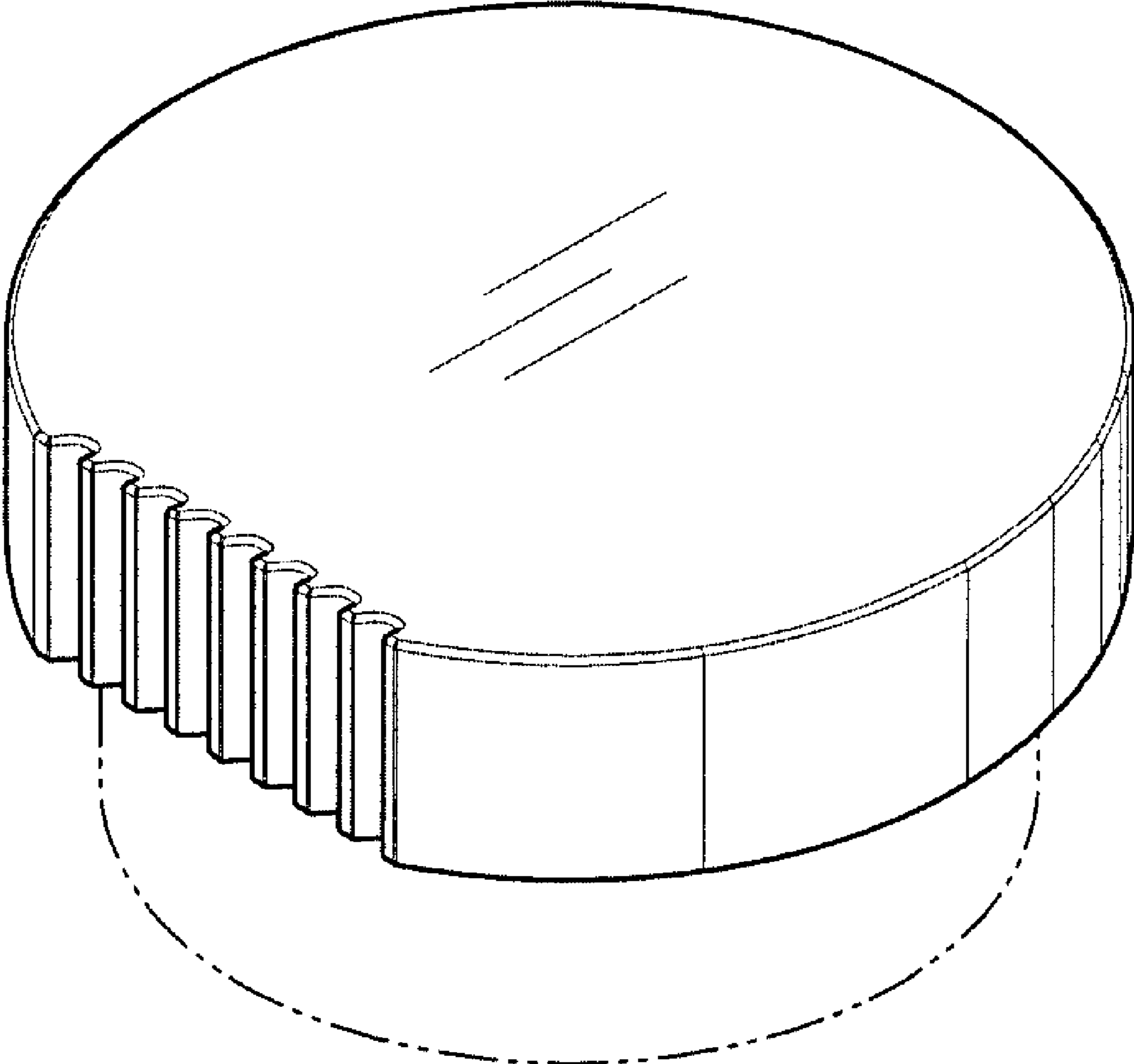


Fig. 8

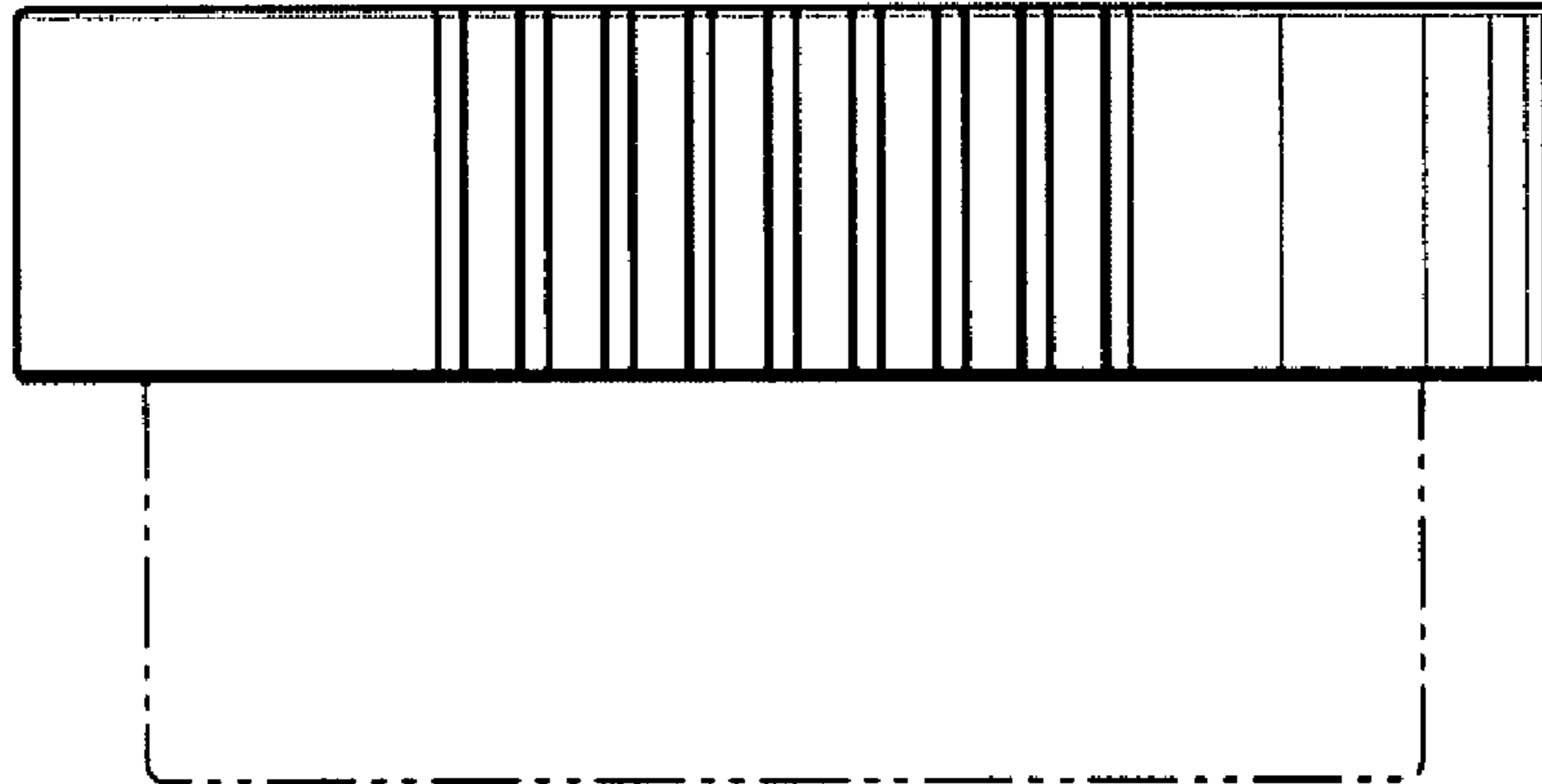


Fig. 9

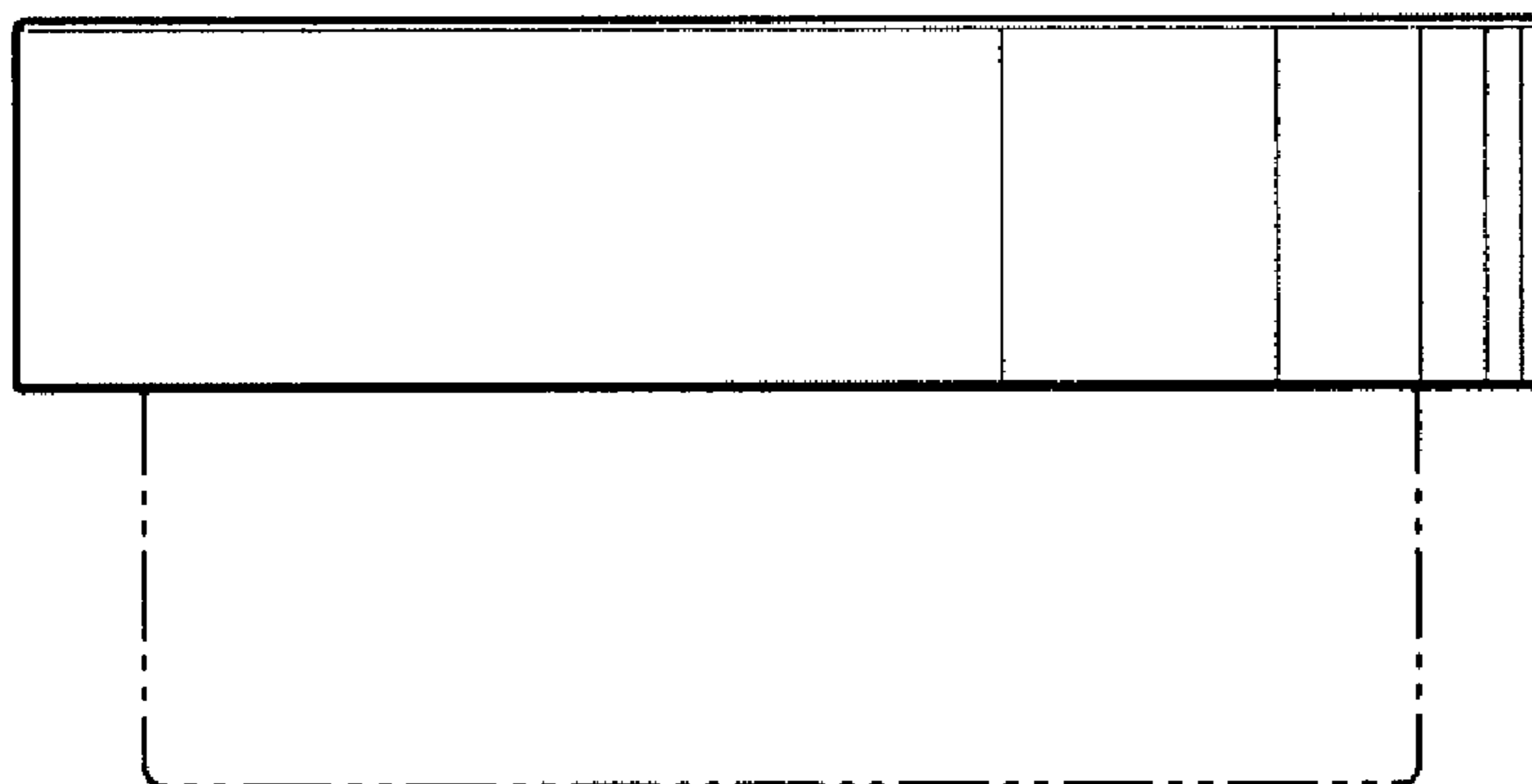


Fig. 10

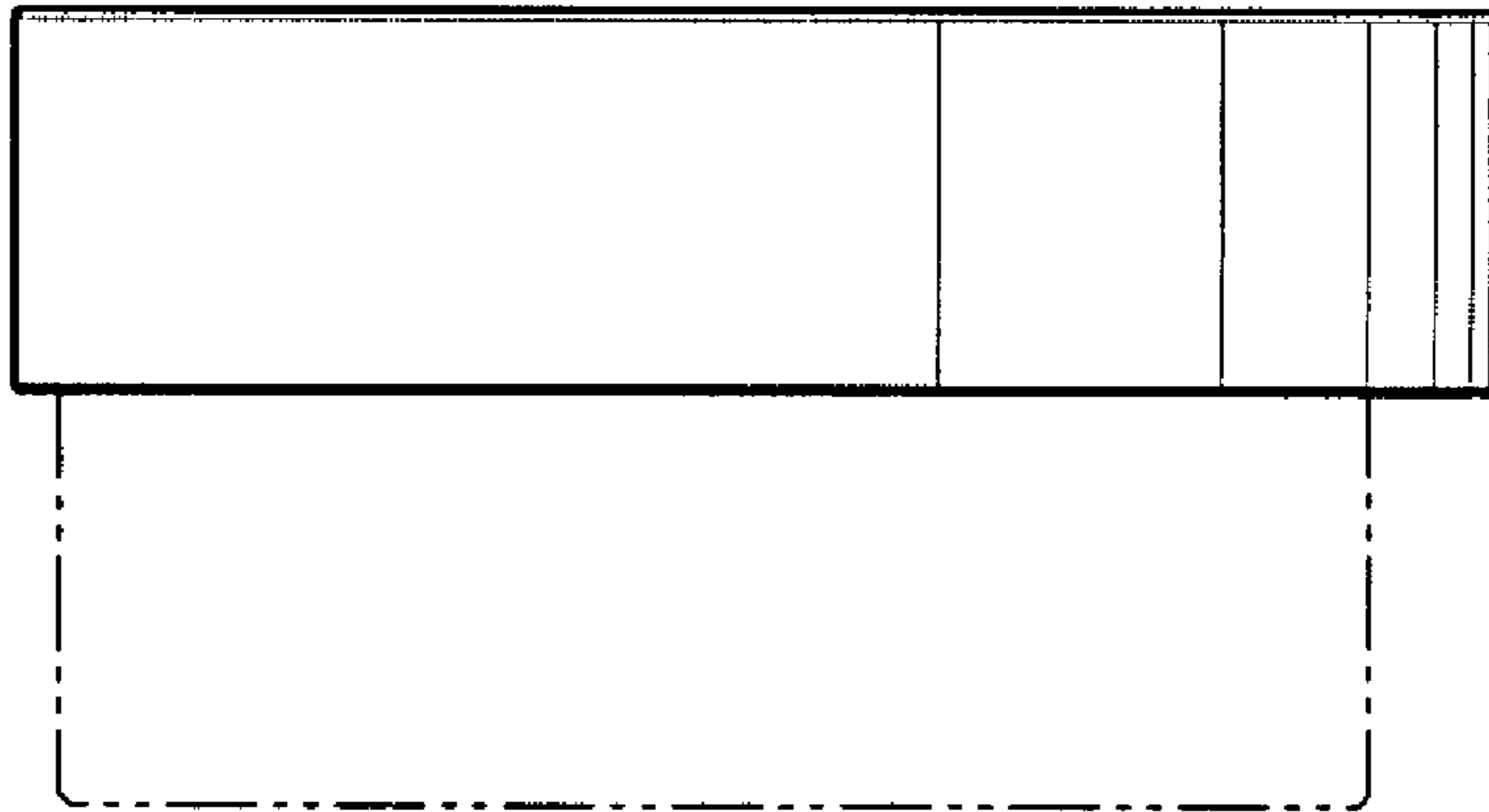


Fig. 11

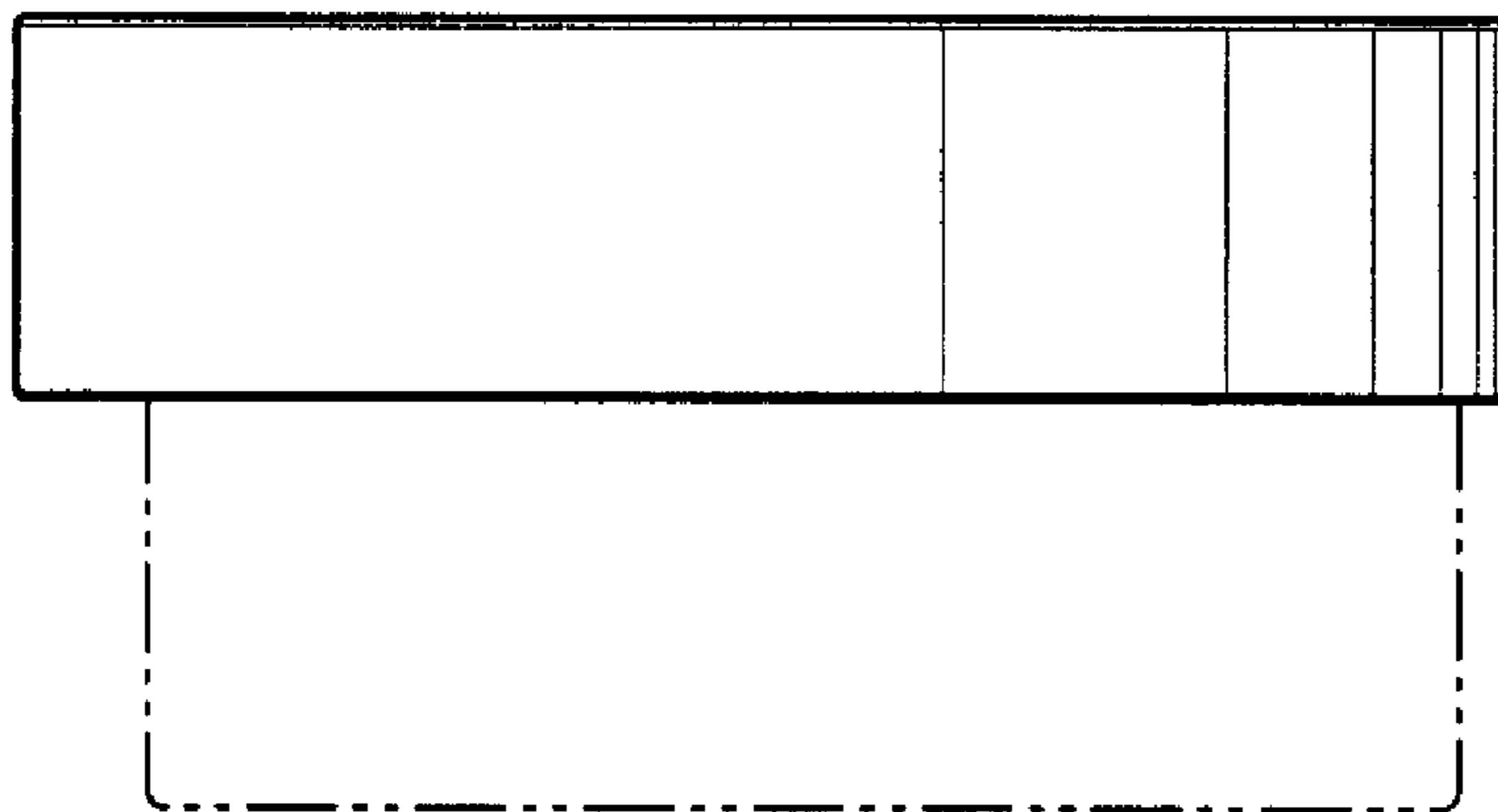


Fig. 12

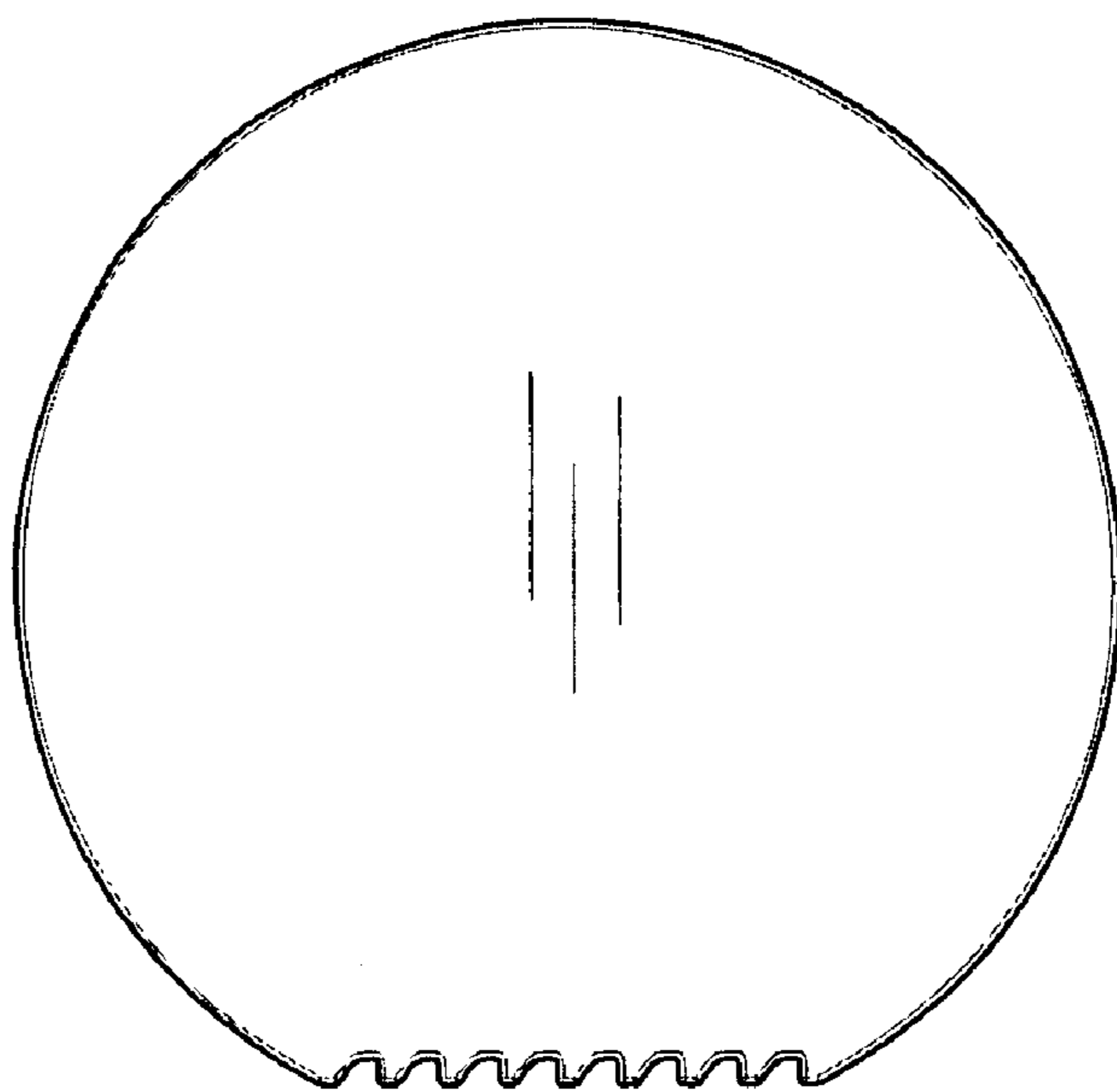


Fig. 13

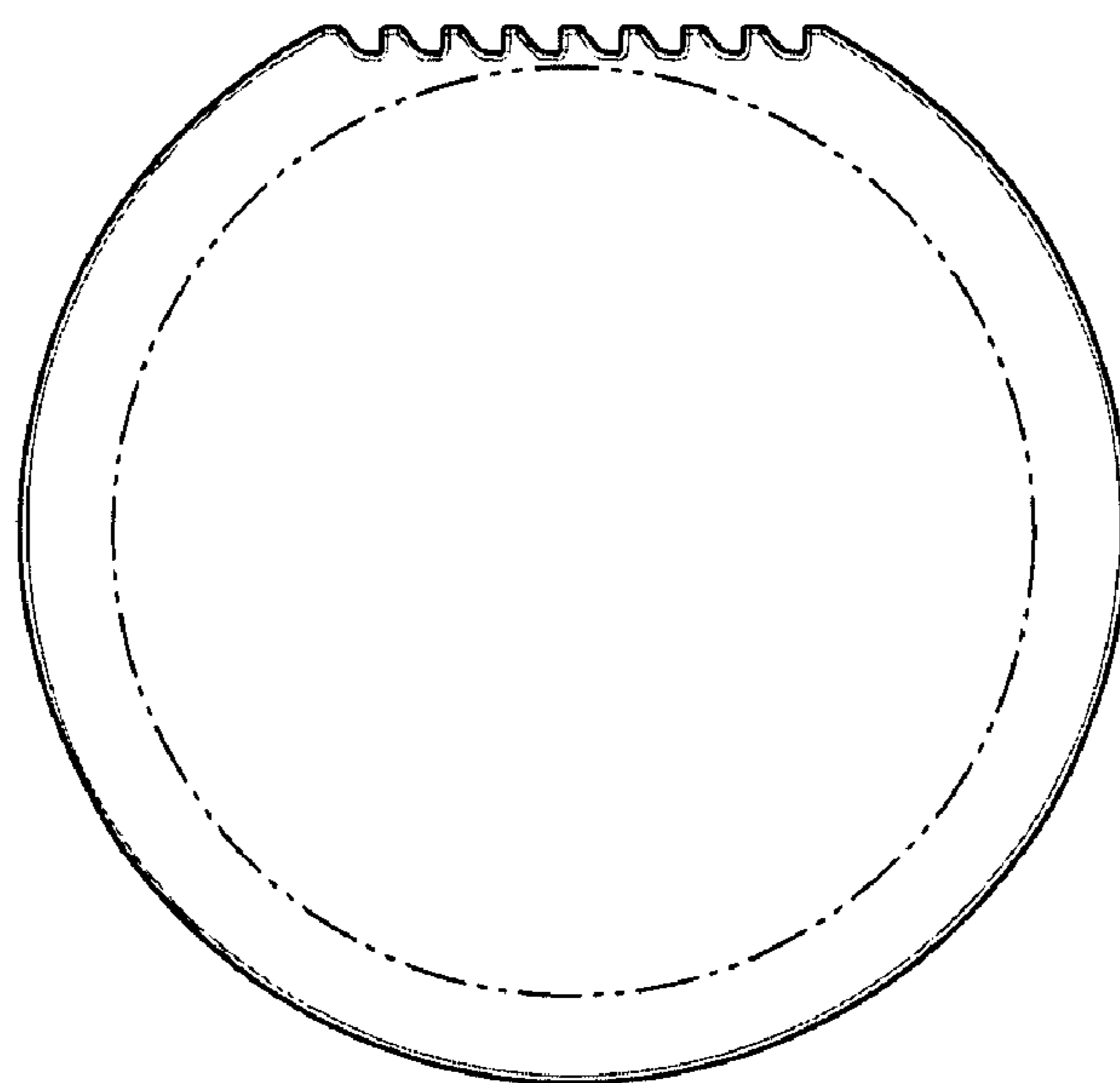


Fig. 14