

US00D578889S

(12) **United States Design Patent**
Sadiq

(10) **Patent No.:** **US D578,889 S**

(45) **Date of Patent:** **** Oct. 21, 2008**

(54) **CONTAINER CLOSURE**

(75) Inventor: **Sohail Sadiq**, Crawfordsville, IN (US)

(73) Assignee: **Alcoa Closure Systems International, Inc.**, Crawfordsville, IN (US)

(**) Term: **14 Years**

(21) Appl. No.: **29/271,212**

(22) Filed: **Jan. 12, 2007**

(51) **LOC (8) Cl.** **09-07**

(52) **U.S. Cl.** **D9/453; D9/454**

(58) **Field of Classification Search** D9/454,
D9/453, 452, 451, 447, 443, 441, 438, 435,
D9/44, 4; D7/396.4, 391; D23/250; 215/329,
215/305, 295, 256, 252, 246
See application file for complete search history.

(56) **References Cited**

U.S. PATENT DOCUMENTS

- D88,404 S * 11/1932 Conner D9/453
- 4,984,703 A * 1/1991 Burzynski 215/350
- D415,962 S * 11/1999 Garcia D9/453

- D424,440 S * 5/2000 Wilkinson et al. D9/446
- D427,068 S * 6/2000 Hierzer et al. D9/436
- D451,393 S * 12/2001 Gerhart et al. D9/453
- D465,731 S * 11/2002 Brant et al. D9/453
- D518,716 S * 4/2006 Mallet D9/449

* cited by examiner

Primary Examiner—Gary D. Watson

Assistant Examiner—Susan Bennett Hattan

(74) *Attorney, Agent, or Firm*—Wood, Phillips, Katz, Clark & Mortimer

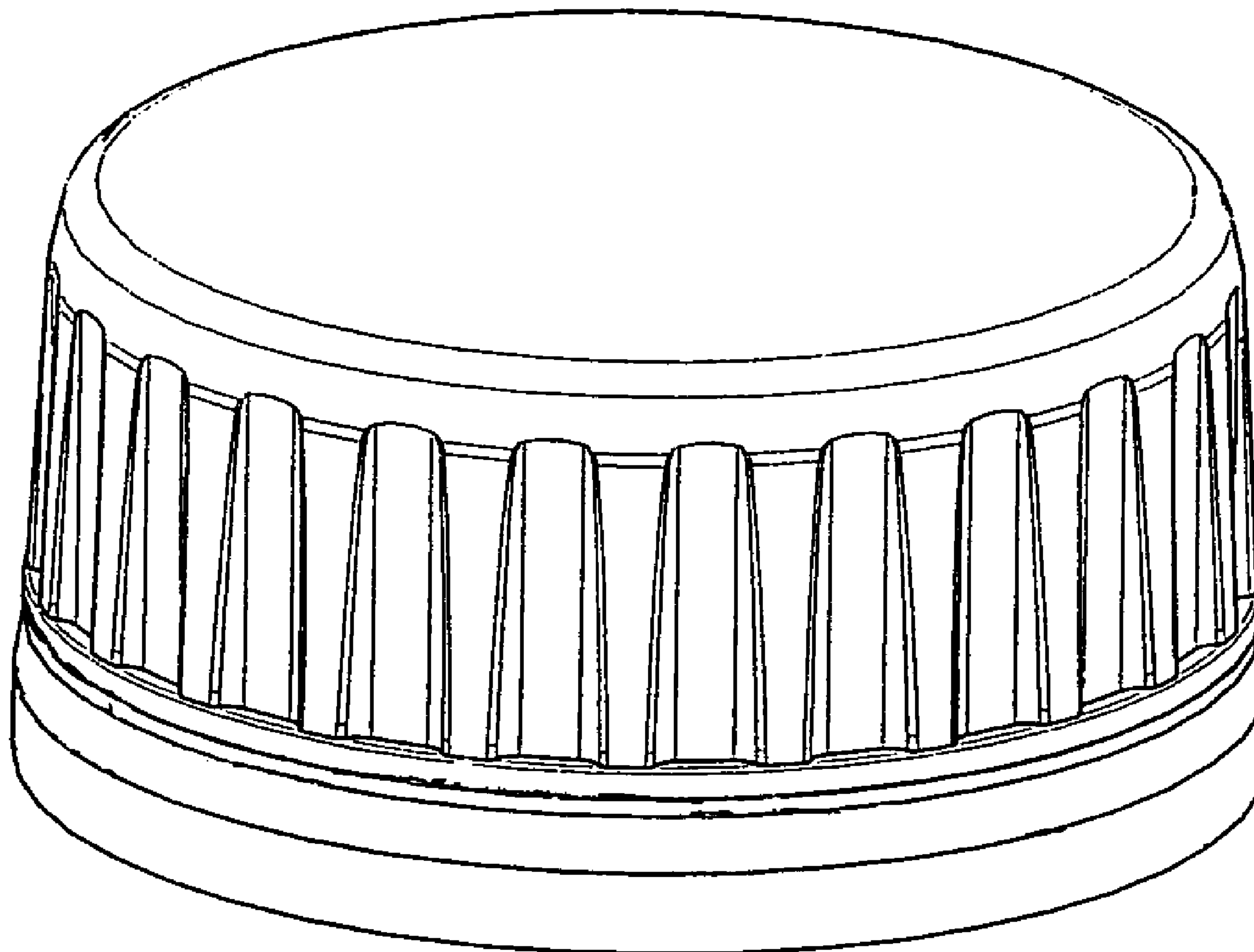
(57) **CLAIM**

The ornamental design for a container closure, substantially as shown and described.

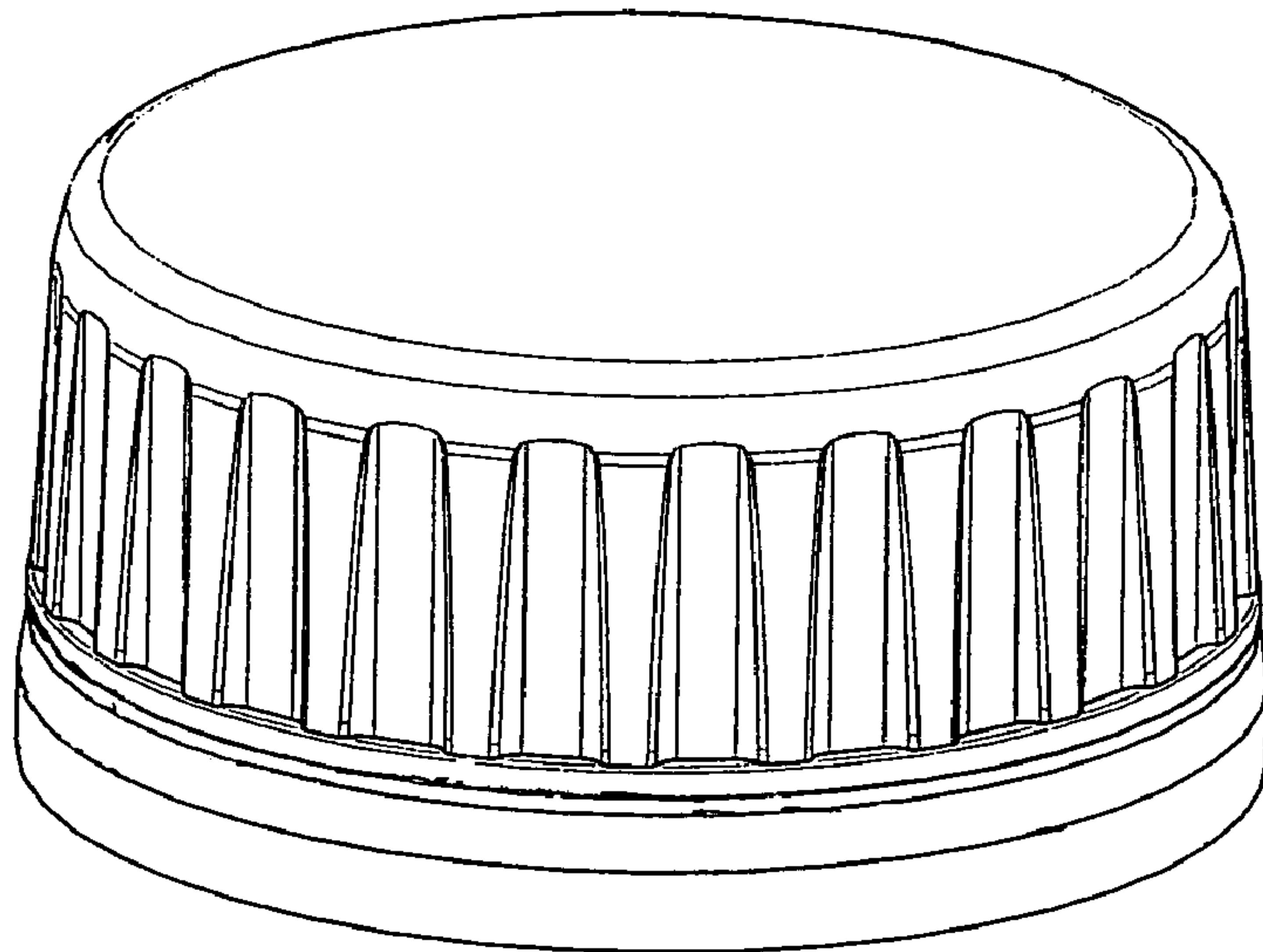
DESCRIPTION

FIG. 1 is a top perspective view of the present design;
FIG. 2 is a bottom perspective view of the present design;
FIG. 3 is a side elevational view thereof;
FIG. 4 is a top plan view thereof; and,
FIG. 5 is a bottom plan view thereof.

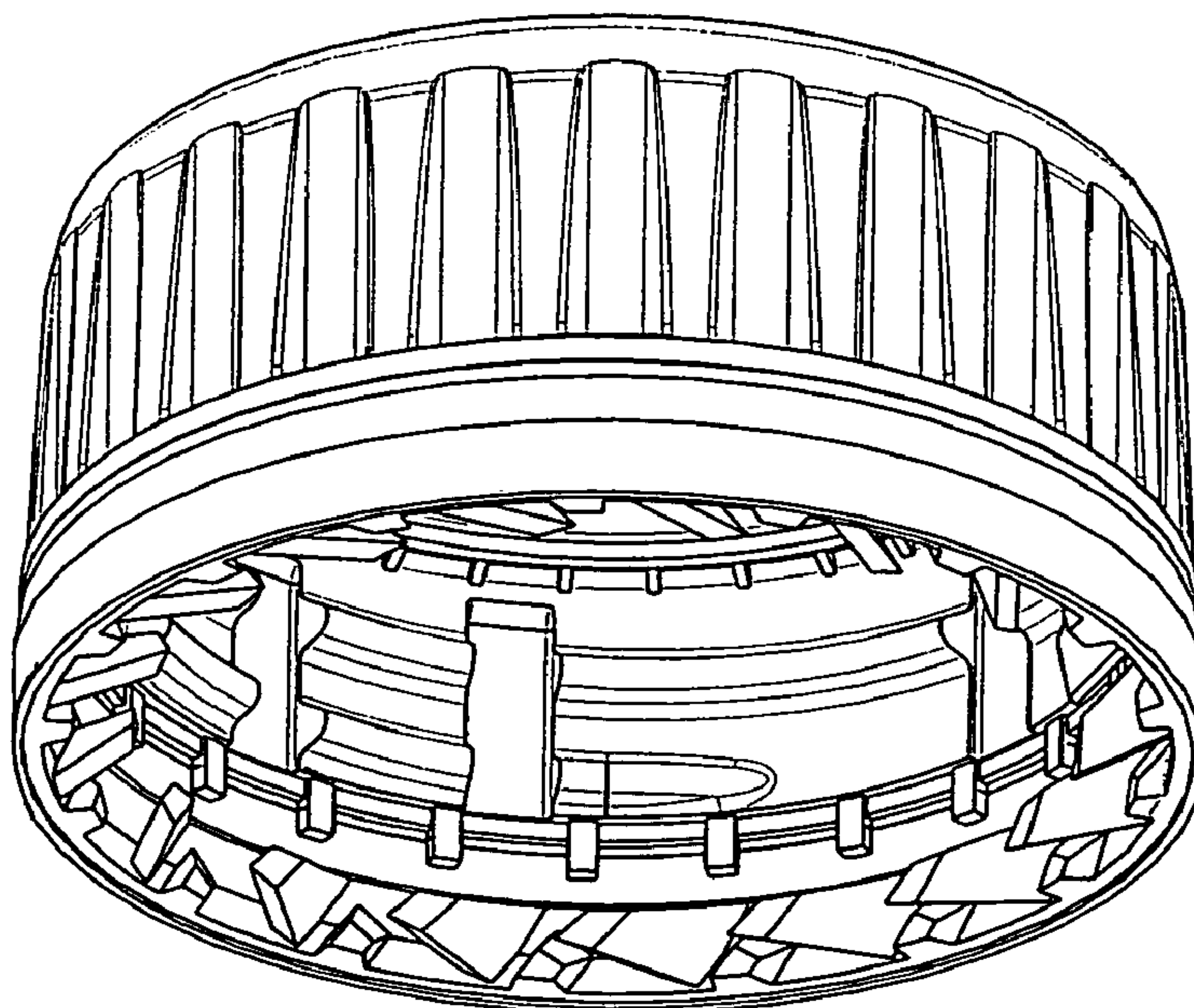
1 Claim, 2 Drawing Sheets



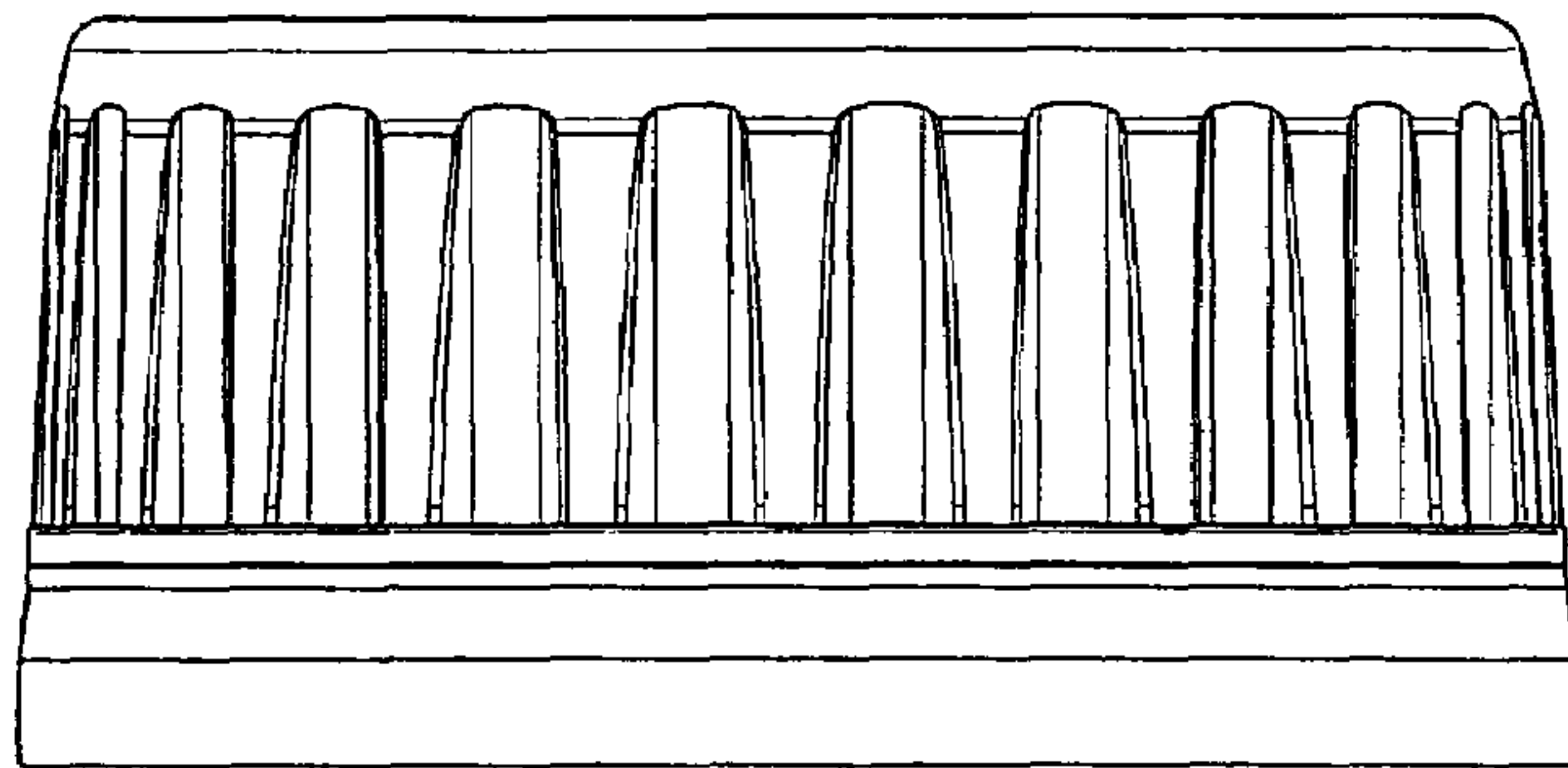
FIG_1



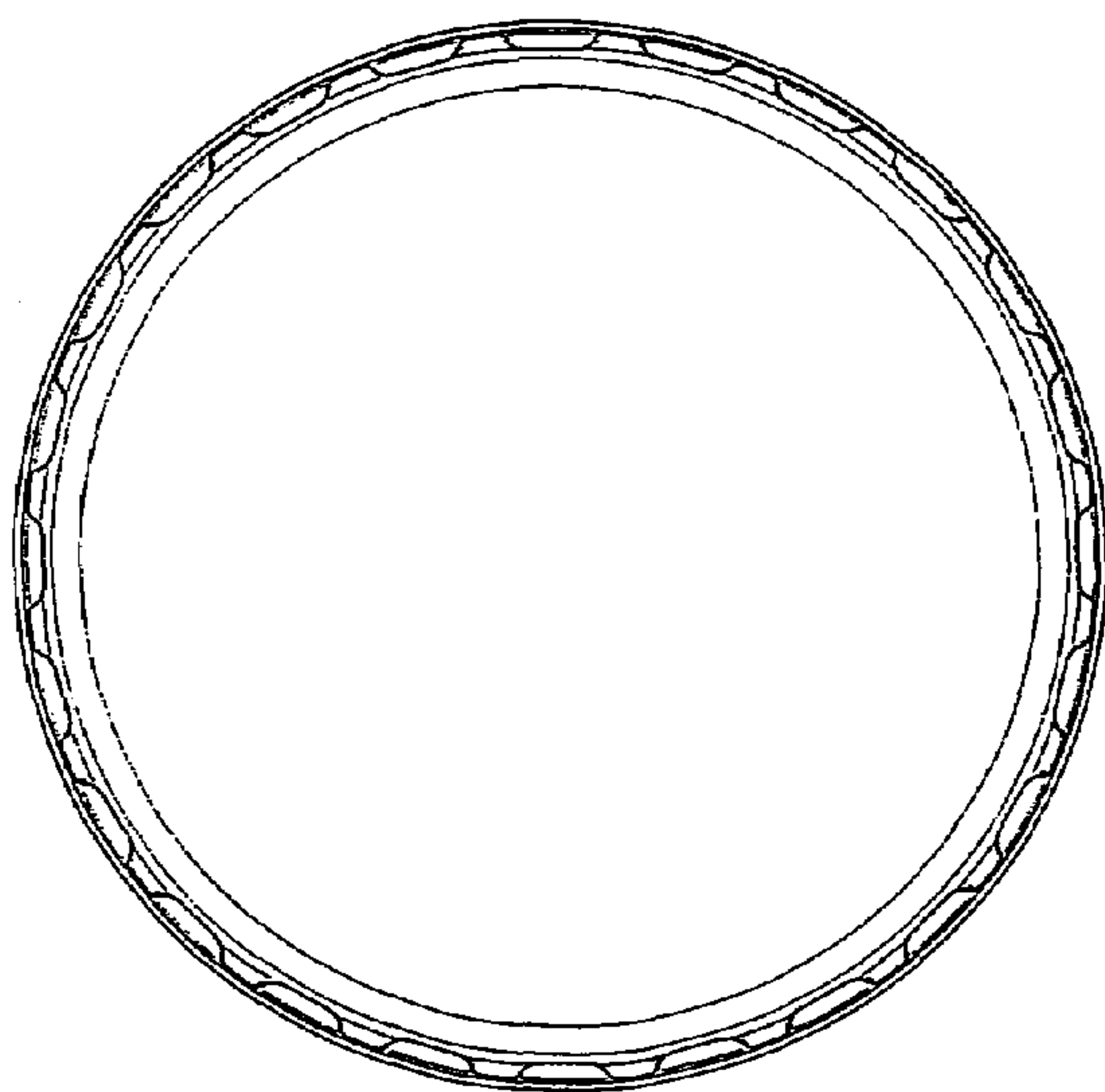
FIG_2



FIG_3



FIG_4



FIG_5

