



US00D578887S

(12) **United States Design Patent**
Sweeton et al.

(10) **Patent No.:** **US D578,887 S**

(45) **Date of Patent:** **** Oct. 21, 2008**

(54) **SPRAYER SHROUD**

(75) Inventors: **Steve L. Sweeton**, Lake Winnebago, MO (US); **David L. Dejong**, Ogden, UT (US)

(73) Assignee: **MeadWestVaco Calmar, Inc.**, Grandview, MO (US)

(**) Term: **14 Years**

(21) Appl. No.: **29/275,442**

(22) Filed: **Dec. 27, 2006**

(51) **LOC (8) Cl.** **09-07**

(52) **U.S. Cl.** **D9/448**

(58) **Field of Classification Search** D9/682,
D9/448, 447, 435, 434; D6/542; D23/227,
D23/226, 213; 222/255, 251, 383.3, 383.1,
222/382

See application file for complete search history.

(56) **References Cited**

U.S. PATENT DOCUMENTS

D256,946 S *	9/1980	Campbell et al.	D23/226
D326,707 S *	6/1992	Silvenis et al.	D23/226
D327,222 S *	6/1992	Fuchs	D9/435
D332,652 S *	1/1993	Foster et al.	D23/226
D352,546 S *	11/1994	Silvenis et al.	D23/226
D354,226 S *	1/1995	Foster et al.	D9/448
D357,408 S *	4/1995	Silvenis et al.	D9/448
D358,198 S *	5/1995	Wadsworth	D23/226
D366,692 S *	1/1996	Wadsworth	D23/213
D377,602 S *	1/1997	Wadsworth	D9/448
D381,581 S *	7/1997	Wadsworth	D9/448
D385,492 S *	10/1997	Foster et al.	D9/448
D394,007 S *	5/1998	Foster et al.	D9/448
D394,009 S *	5/1998	Foster et al.	D9/448
D396,265 S *	7/1998	Alvern	D23/227
D400,102 S *	10/1998	Tada	D9/448
D406,762 S *	3/1999	Durliat	D9/448
D409,487 S *	5/1999	Wadsworth et al.	D9/448
D409,915 S *	5/1999	Durliat et al.	D9/448
D409,917 S *	5/1999	Wadsworth et al.	D9/448

D419,875 S * 2/2000 Wadsworth et al. D9/448
D419,876 S * 2/2000 Keung D9/448
D421,388 S 3/2000 Cummings

(Continued)

Primary Examiner—Robert M. Spear

Assistant Examiner—Susan B Hattan

(74) *Attorney, Agent, or Firm*—Gordon & Jacobson, PC

(57) **CLAIM**

The ornamental design for a sprayer shroud, as shown and described.

DESCRIPTION

FIG. 1 is a top perspective view of the indicator portion of our design for a sprayer shroud, shown without the shroud for clarity of illustration;

FIG. 2 is a bottom perspective view thereof;

FIG. 3 is a top view thereof;

FIG. 4 is a front side perspective view of the sprayer shroud, with the indicator removed for clarity of illustration;

FIG. 5 is a back side perspective view thereof;

FIG. 6 is a top view thereof;

FIG. 7 is a side view thereof, the other side being a mirror image;

FIG. 8 is a front view thereof;

FIG. 9 is a rear view thereof;

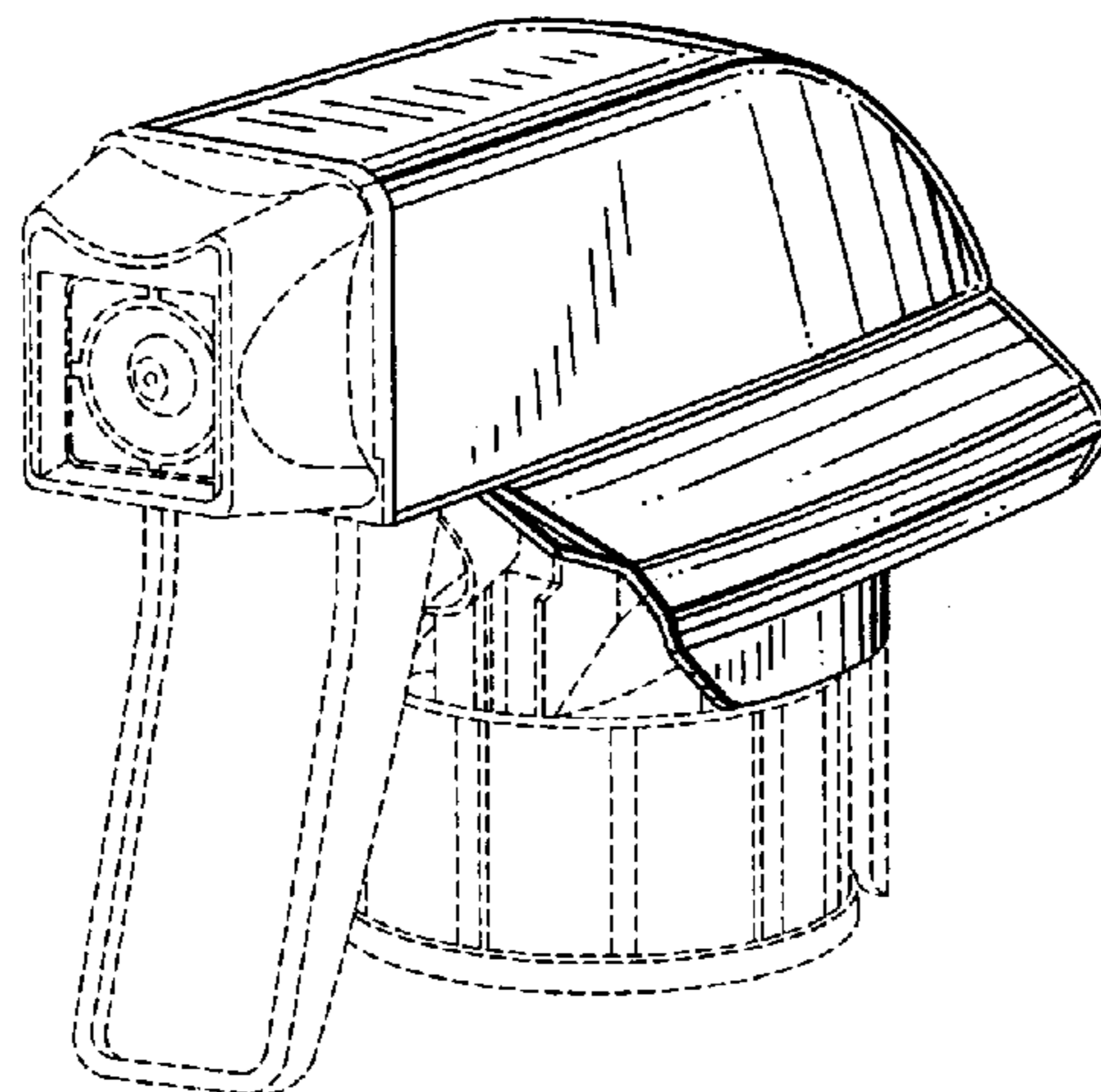
FIG. 10 is a front side perspective view of the sprayer shroud, shown with the shroud and indicator assembled;

FIG. 11 is a back side perspective view thereof; and,

FIG. 12 is a side view thereof, the other side being a mirror image.

The broken lines immediately adjacent to the shaded areas represent the bounds of the claim and all other broken lines depict environmental subject matter only. None of the broken lines forms a part of the claimed design.

1 Claim, 5 Drawing Sheets



U.S. PATENT DOCUMENTS

D422,216 S *	4/2000	Brozell	D9/448	D519,371 S *	4/2006	Hornsby et al.	D9/448
D422,913 S *	4/2000	Brozell	D9/448	7,032,777 B2 *	4/2006	Good et al.	222/1
D423,934 S *	5/2000	Brozell	D9/448	D520,872 S *	5/2006	Paas et al.	D9/448
D424,939 S	5/2000	Fan et al.		D525,124 S *	7/2006	Sweeton	D9/448
D435,448 S *	12/2000	Trepina et al.	D9/448	D525,524 S *	7/2006	Sweeton	D9/448
D442,088 S *	5/2001	Trepina et al.	D9/448	D530,201 S *	10/2006	Sweeton	D9/448
D454,306 S *	3/2002	Sweeton et al.	D9/434	D535,560 S *	1/2007	Sweeton	D9/448
6,367,665 B1 *	4/2002	Barriac et al.	222/383.3	D541,652 S *	5/2007	Arminak	D9/448
D479,305 S	9/2003	Zittel et al.		7,219,848 B2 *	5/2007	Sweeton	239/102.2
6,669,058 B1 *	12/2003	Sweeton	222/153.13	2002/0070245 A1 *	6/2002	Barriac et al.	222/382
D488,536 S *	4/2004	Yean	D23/226	2002/0070246 A1 *	6/2002	Barriac et al.	222/382
D494,866 S *	8/2004	Guala	D9/448	2002/0092872 A1 *	7/2002	Barriac et al.	222/383.3
D495,399 S *	8/2004	Guala	D23/213	2005/0082311 A1 *	4/2005	Good et al.	222/1
D499,024 S *	11/2004	Sweeton	D9/448	2006/0091160 A1 *	5/2006	Sweeton	222/333
D506,808 S	6/2005	Huang		2006/0153707 A1 *	7/2006	Sweeton et al.	417/411
D508,852 S *	8/2005	Arminak	D9/448	2007/0215724 A1 *	9/2007	Sweeton	239/525

* cited by examiner

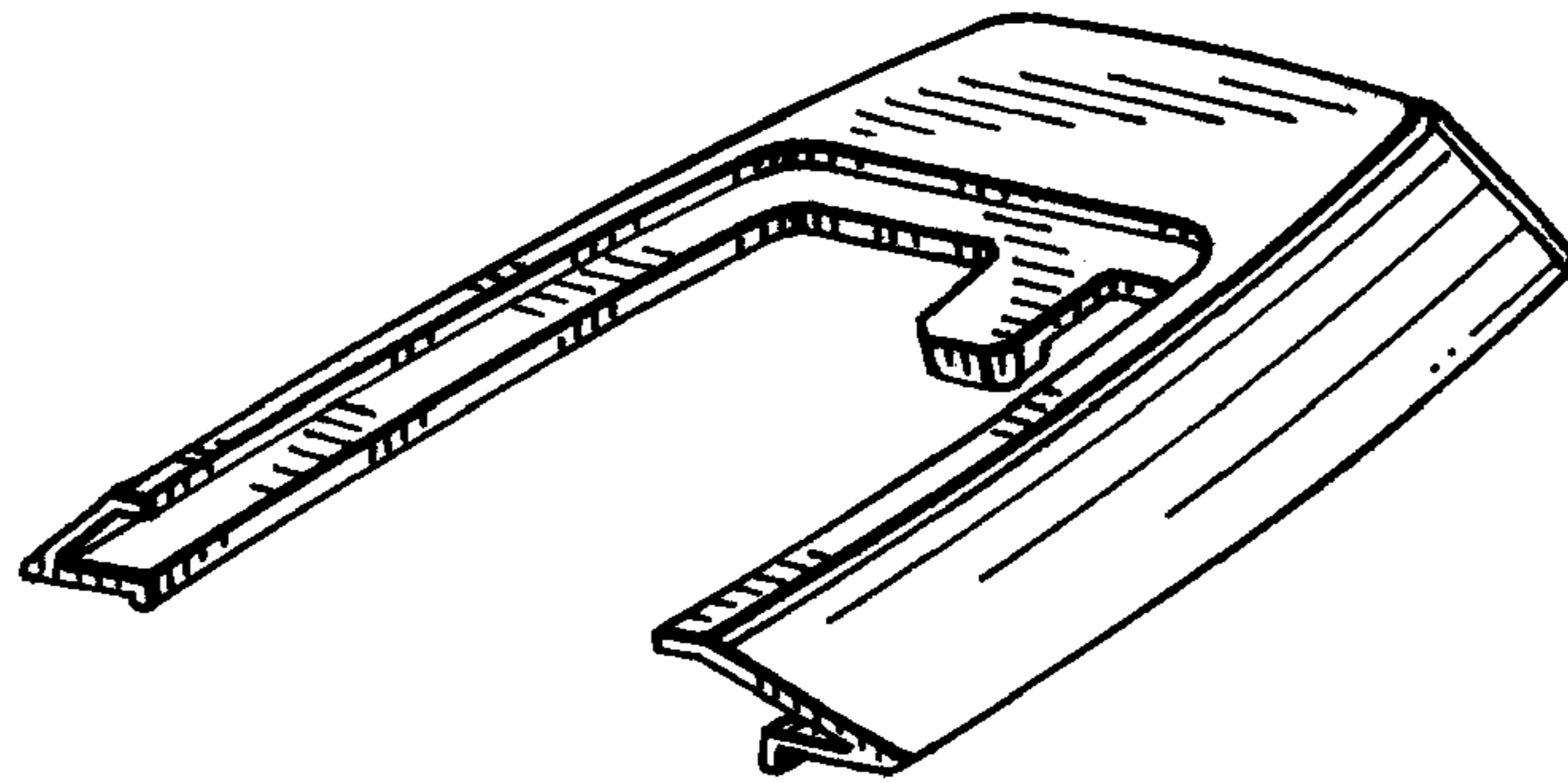


FIG. 1

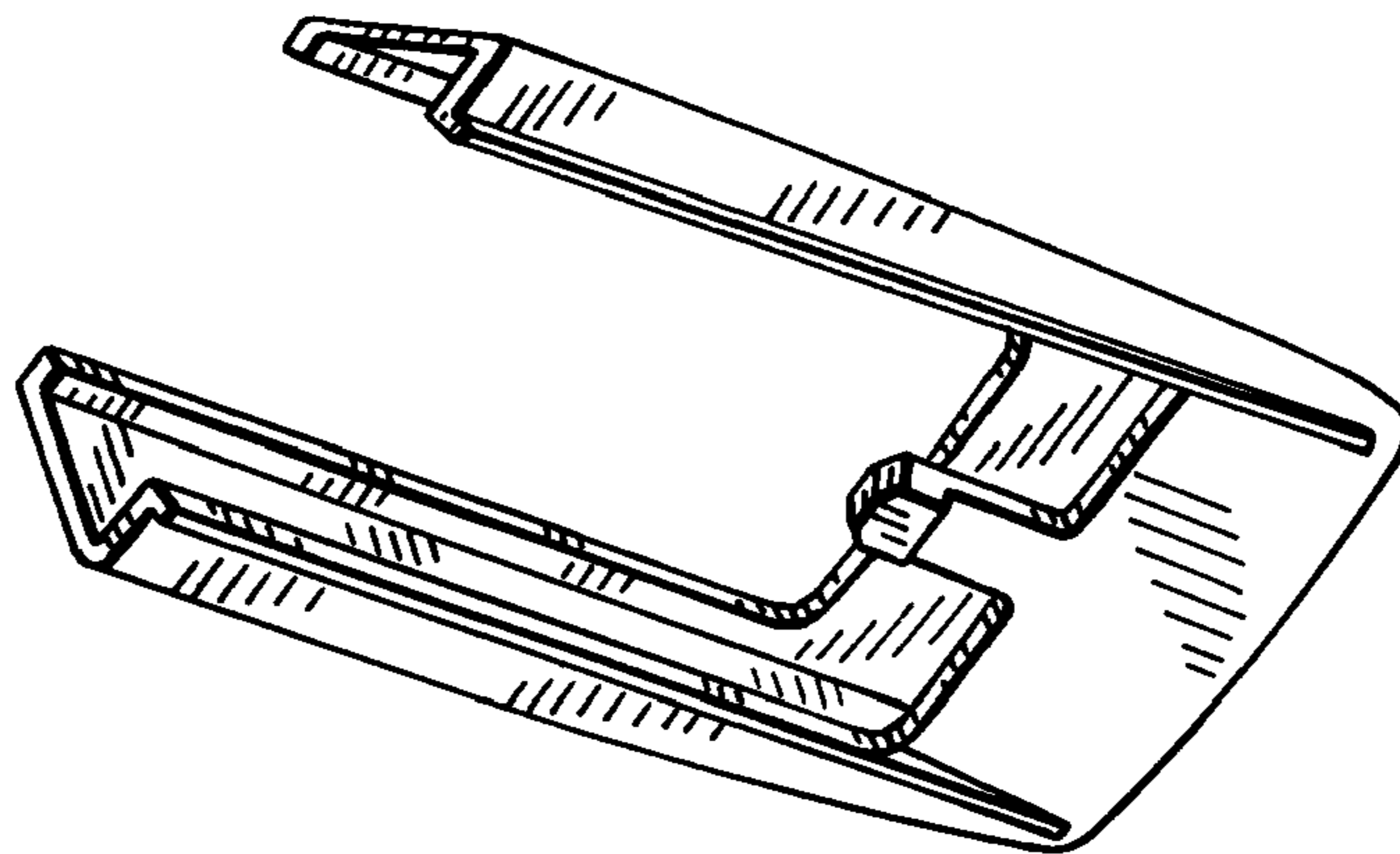


FIG. 2

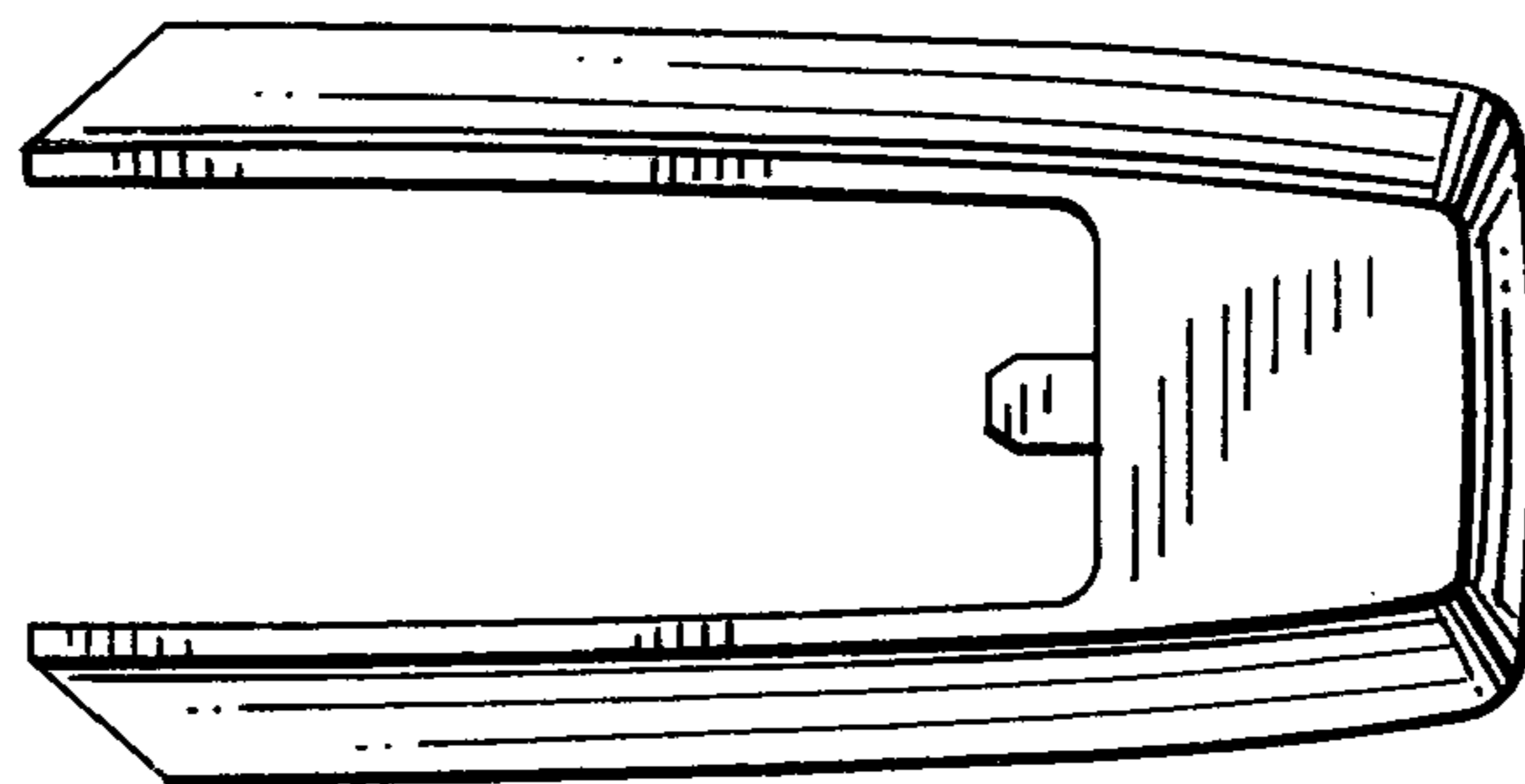


FIG. 3

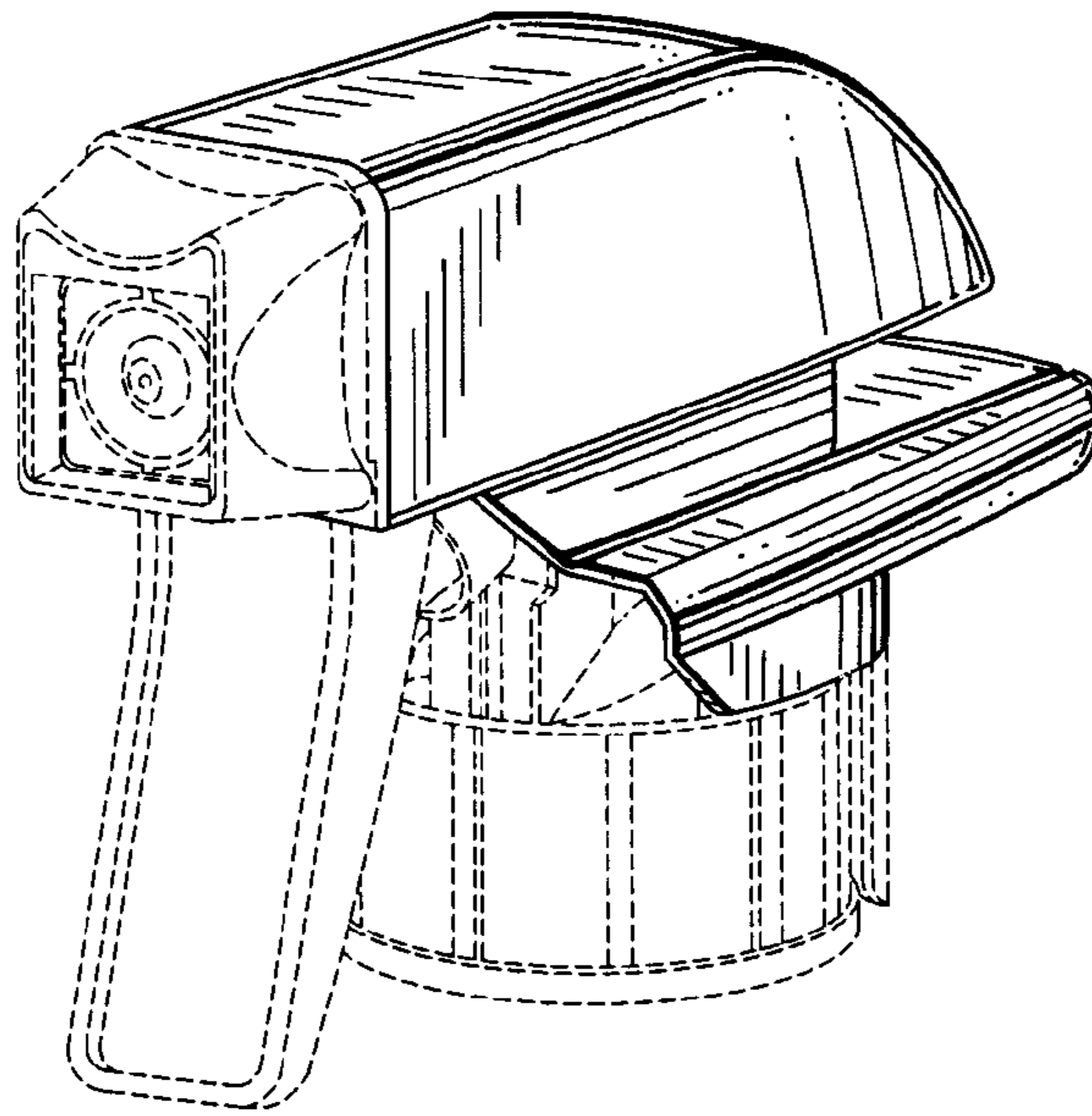


FIG. 4

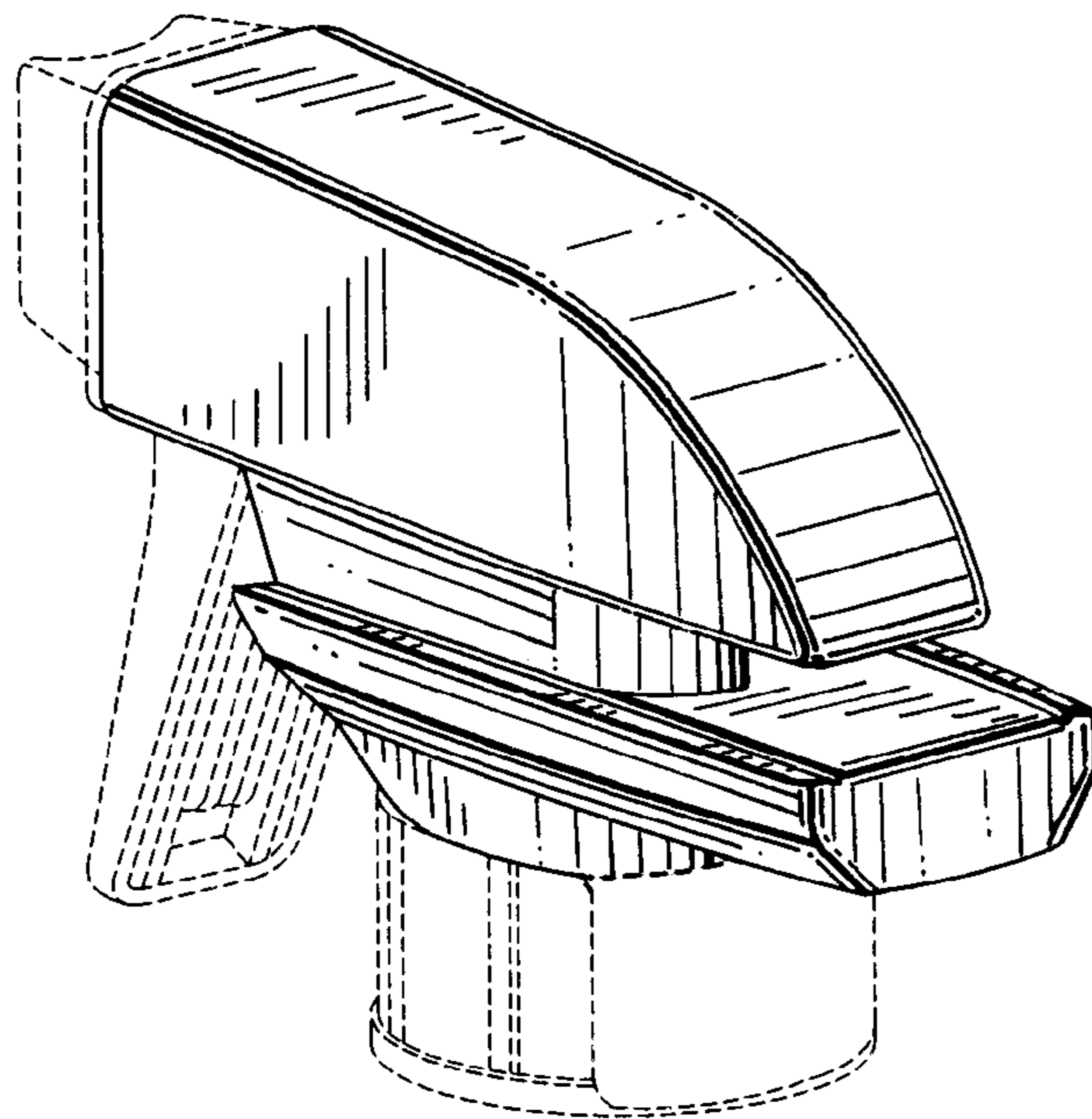


FIG. 5

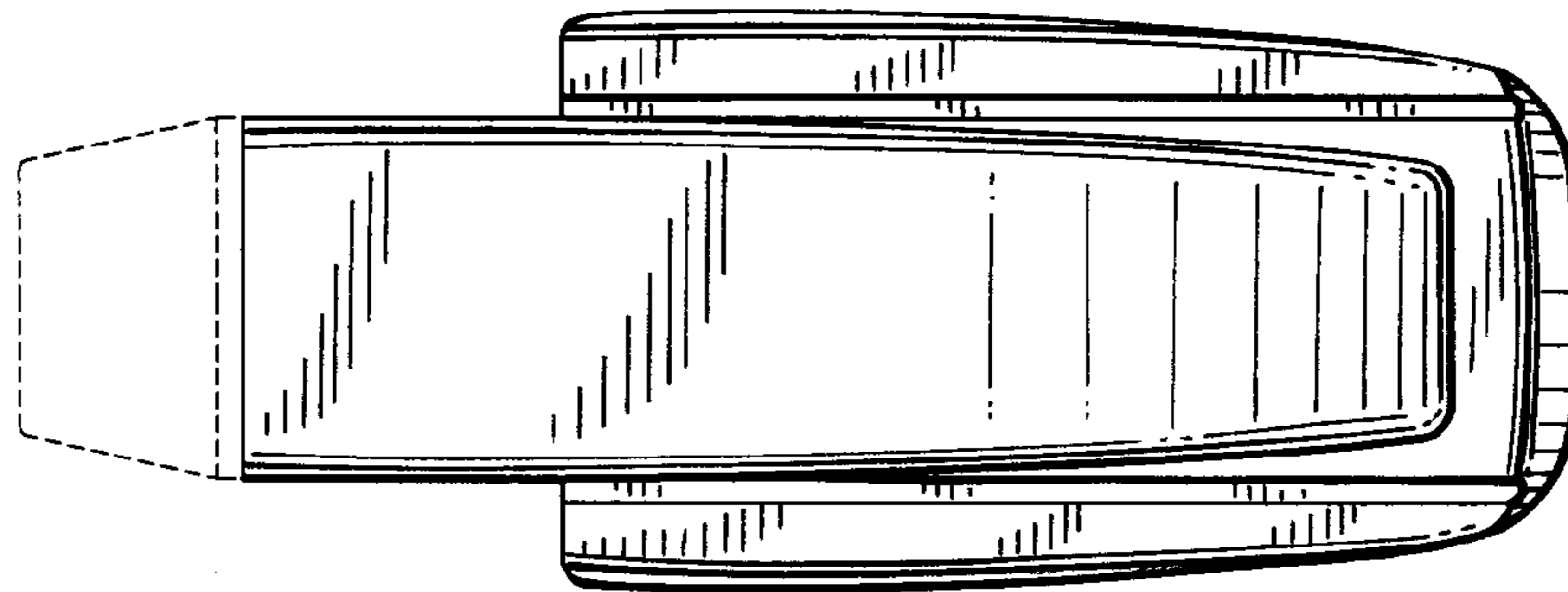


FIG. 6

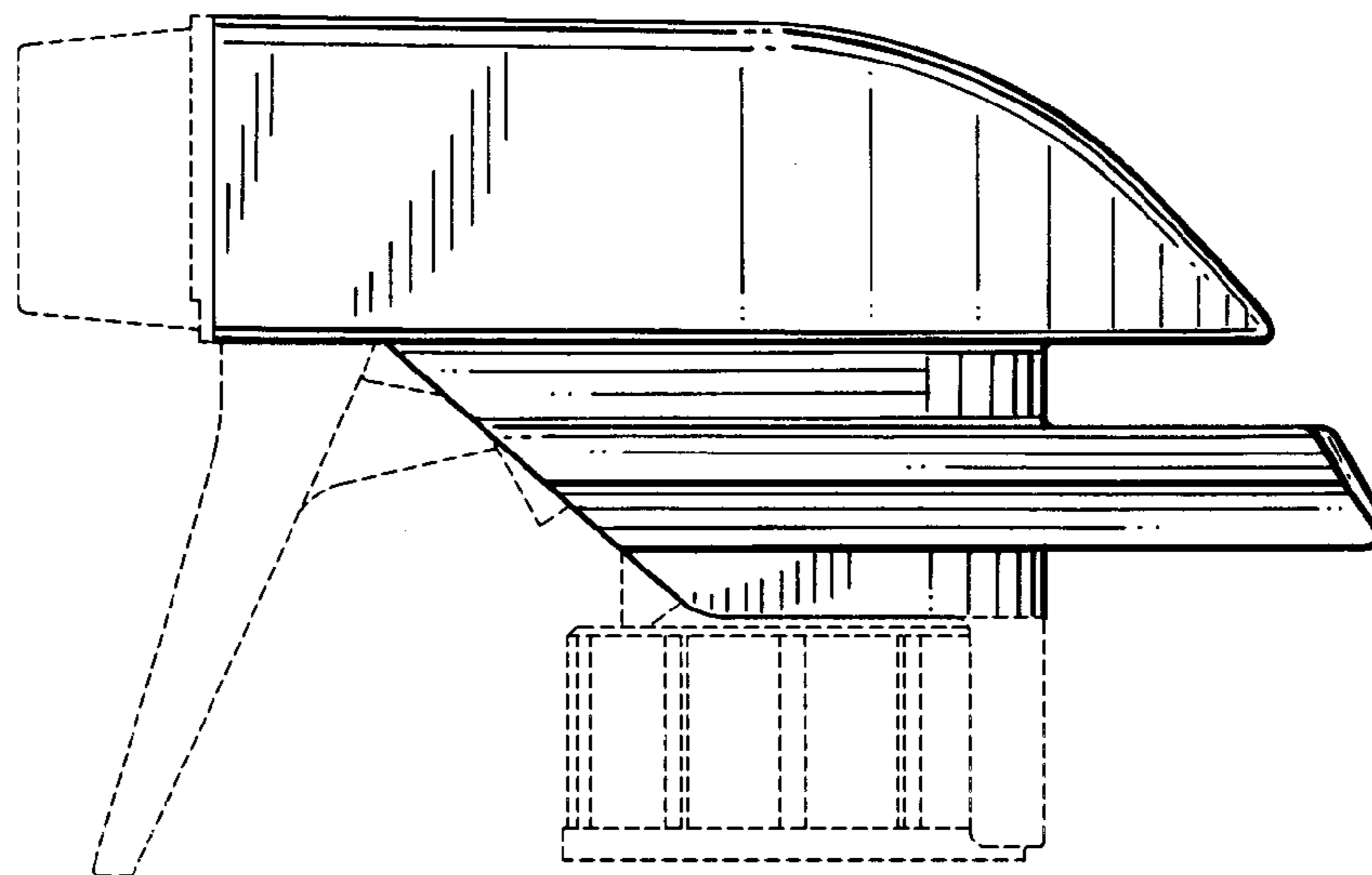


FIG. 7

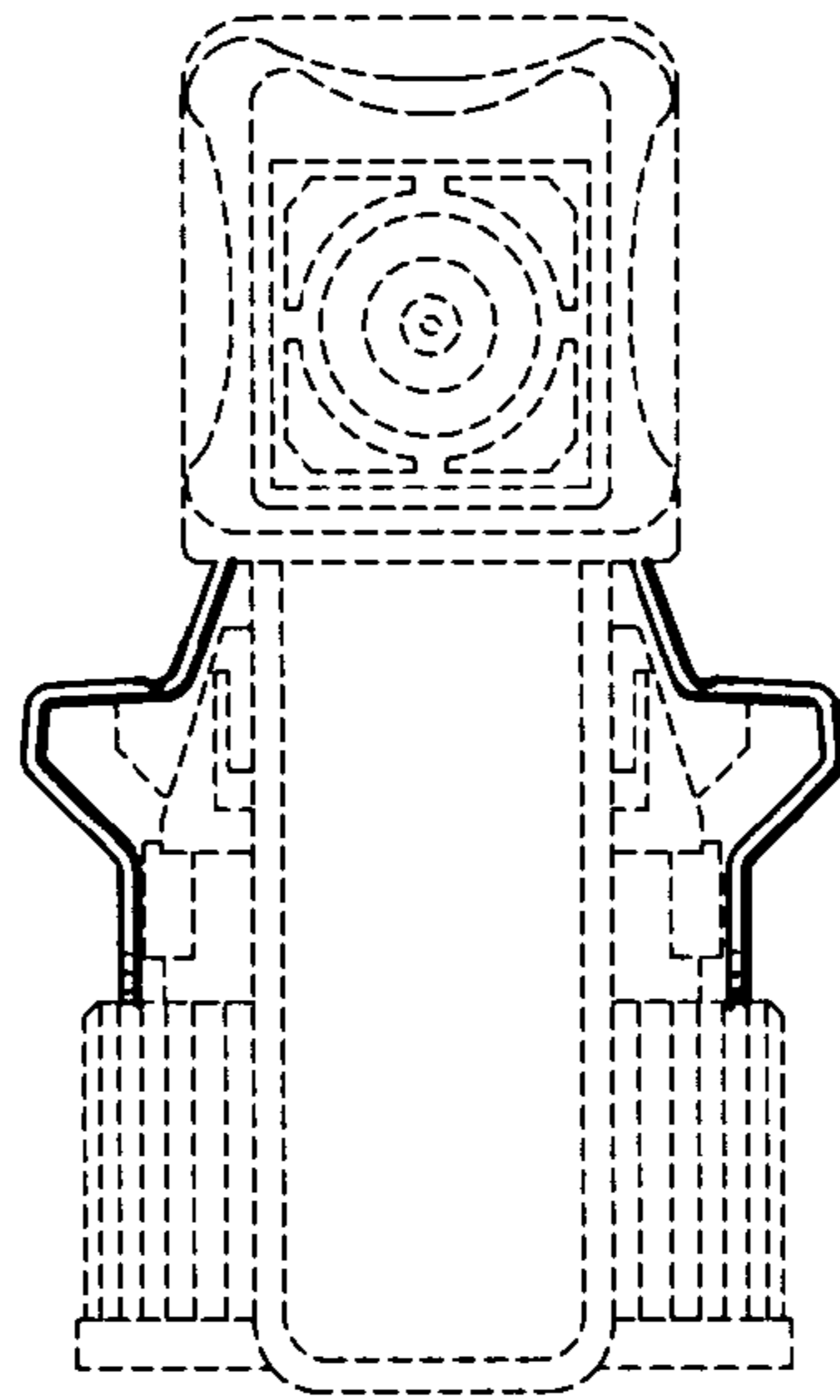


FIG. 8

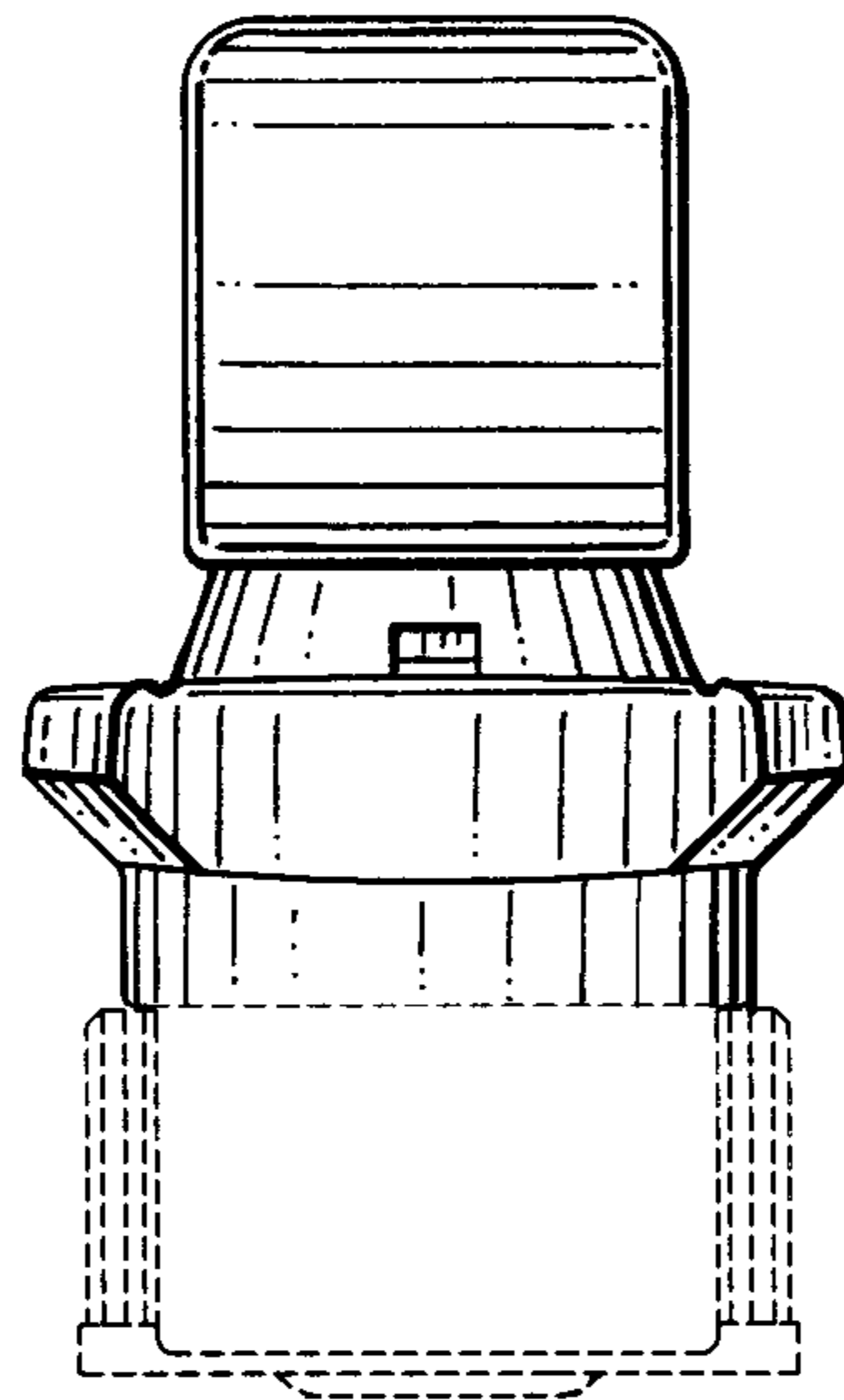


FIG. 9

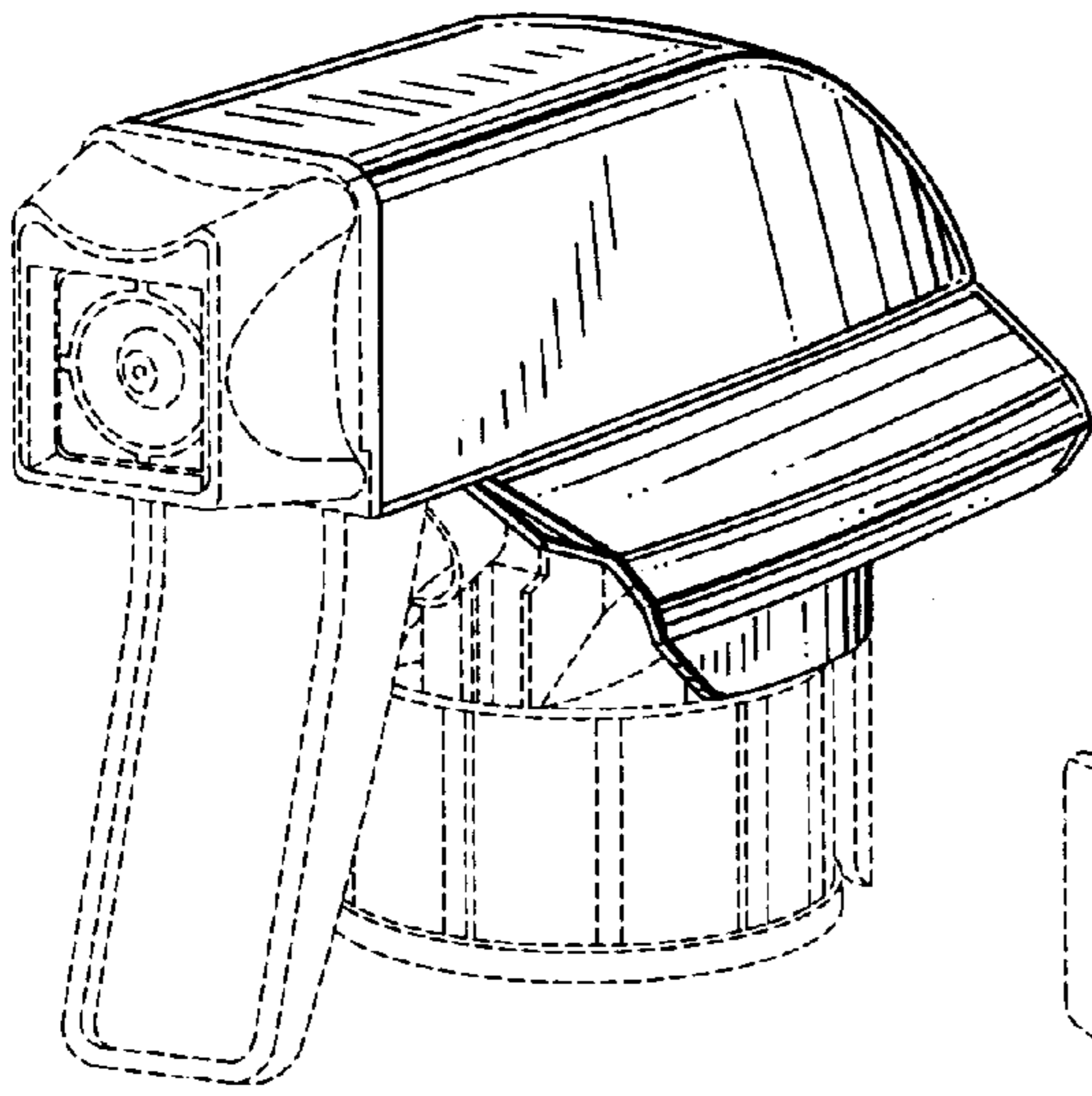


FIG. 10

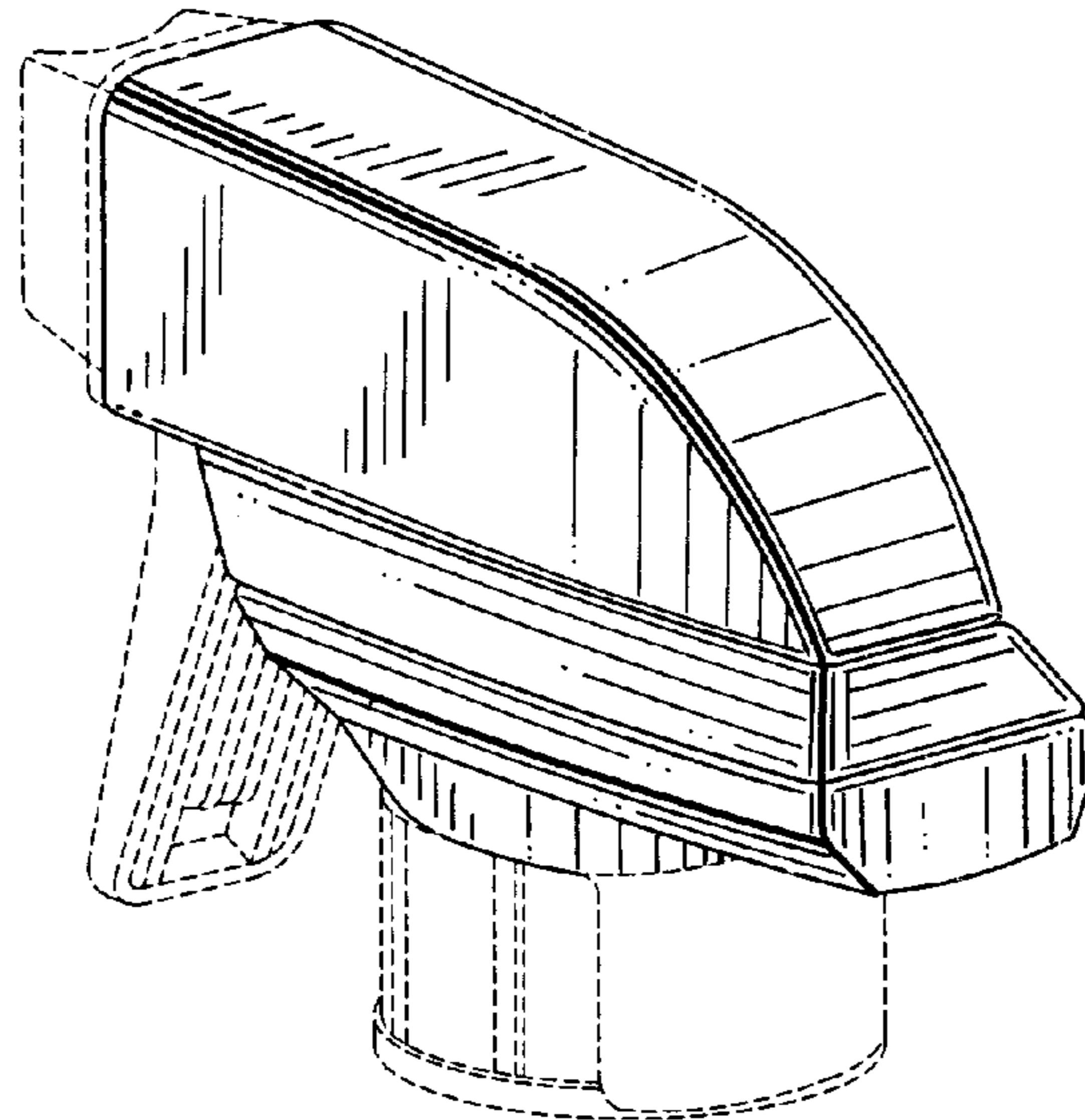


FIG. 11

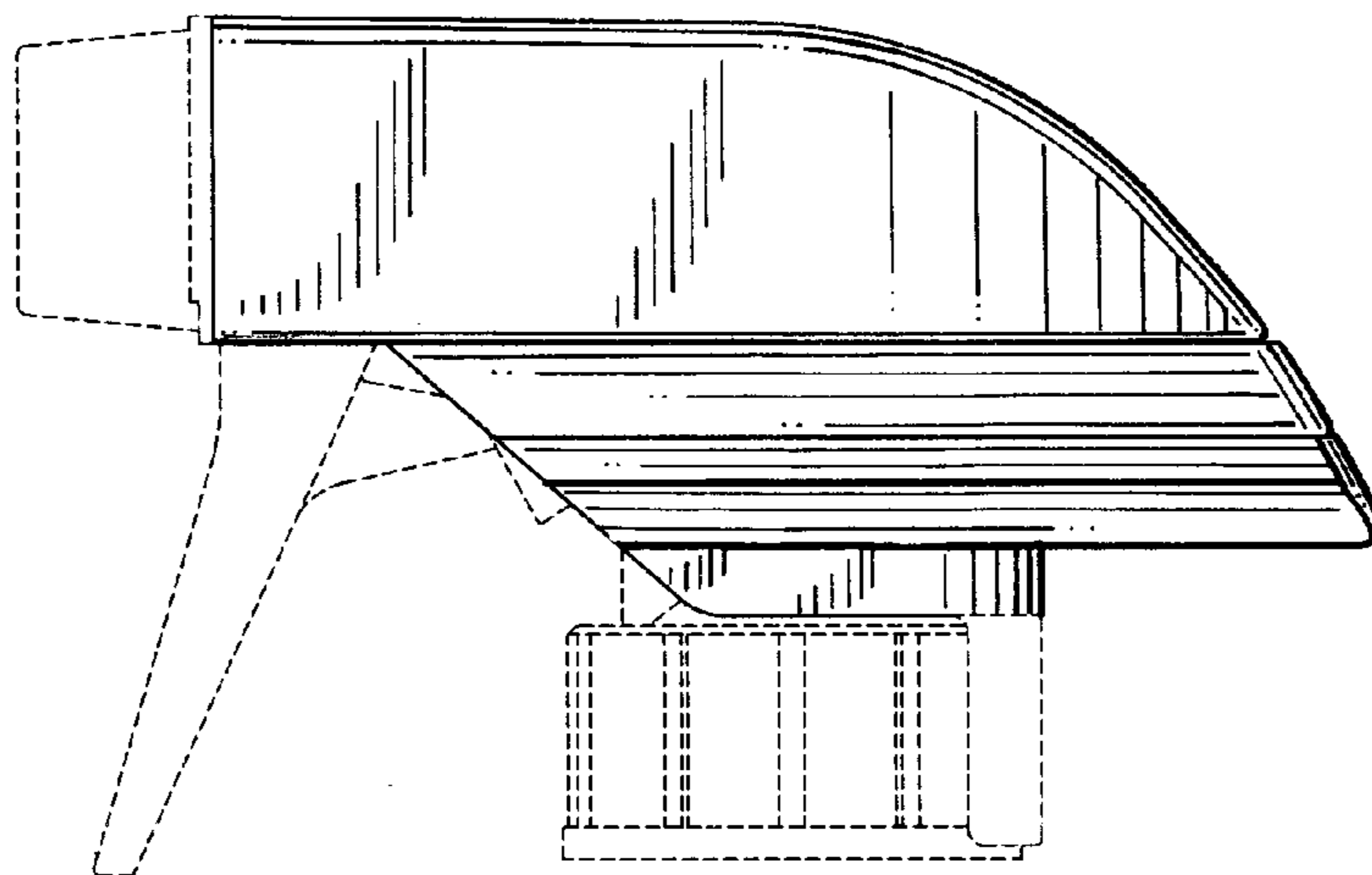


FIG. 12