



US00D578877S

(12) **United States Design Patent**
Lovett

(10) **Patent No.:** **US D578,877 S**

(45) **Date of Patent:** **** Oct. 21, 2008**

(54) **CONTAINER**

(75) Inventor: **James Kyle Lovett**, Atlanta, GA (US)

(73) Assignee: **InnoWare Plastic, Inc.**, Atlanta, GA (US)

(**) Term: **14 Years**

(21) Appl. No.: **29/284,032**

(22) Filed: **Aug. 29, 2007**

(51) **LOC (8) Cl.** **09-03**

(52) **U.S. Cl.** **D9/425; D9/426; D9/430**

(58) **Field of Classification Search** D9/414-424, D9/426, 428, 430-435, 450, 456, 503, 523-525, D9/715, 719, 737, 761; D3/203.1-203.4, D3/206, 270, 294; D19/51, 84-85; D30/101; 220/253, 254.2, 326, 507, 825, 835, 263, 220/266, 787; 206/497, 533-534, 538, 583, 206/783, 515; 229/120.12, 123.2-123.3, 229/125.13-125.14; D7/360, 538-540, 587, D7/391, 543, 500, 629, 602

See application file for complete search history.

(56) **References Cited**

U.S. PATENT DOCUMENTS

- D255,857 S * 7/1980 Zimmermann D7/565
- D256,308 S * 8/1980 Zimmermann D7/565
- D351,997 S * 11/1994 Finnah D9/737
- D375,259 S * 11/1996 Whitehead D9/761
- D378,180 S * 2/1997 Hayes et al. D7/554.1
- D380,648 S * 7/1997 Rider et al. D7/555
- D395,599 S * 6/1998 Wyslowsky D9/425
- 5,762,231 A * 6/1998 Rider et al. 220/526

- 5,979,687 A * 11/1999 Hayes et al. 220/4.23
- D427,525 S * 7/2000 Hayes et al. D9/431
- D427,902 S * 7/2000 Hayes et al. D9/425
- D480,922 S * 10/2003 Bulcher et al. D7/553.1
- D516,382 S * 3/2006 King et al. D7/553.8
- 7,172,779 B2 * 2/2007 Castellanos et al. 426/106
- D541,589 S * 5/2007 Littlejohn et al. D7/549

* cited by examiner

Primary Examiner—Robert M. Spear

Assistant Examiner—Susan E Krakower

(74) *Attorney, Agent, or Firm*—Baker Donelson Bearman Caldwell & Berkowitz PC

(57) **CLAIM**

The ornamental design for a container, as shown and described.

DESCRIPTION

FIG. 1 is a perspective view of a container having a base and a lid attached in a closed position showing my new design;

FIG. 2 is a perspective view of the container having the base and the lid in a partially opened position;

FIG. 3 is a perspective view of the container having the base and the lid in an opened position;

FIG. 4 is a top view of the container in a closed position;

FIG. 5 is a bottom view thereof;

FIG. 6 is a left side view thereof, the right side being a mirror image thereof;

FIG. 7 is a front view thereof; and,

FIG. 8 is a rear view thereof.

1 Claim, 5 Drawing Sheets

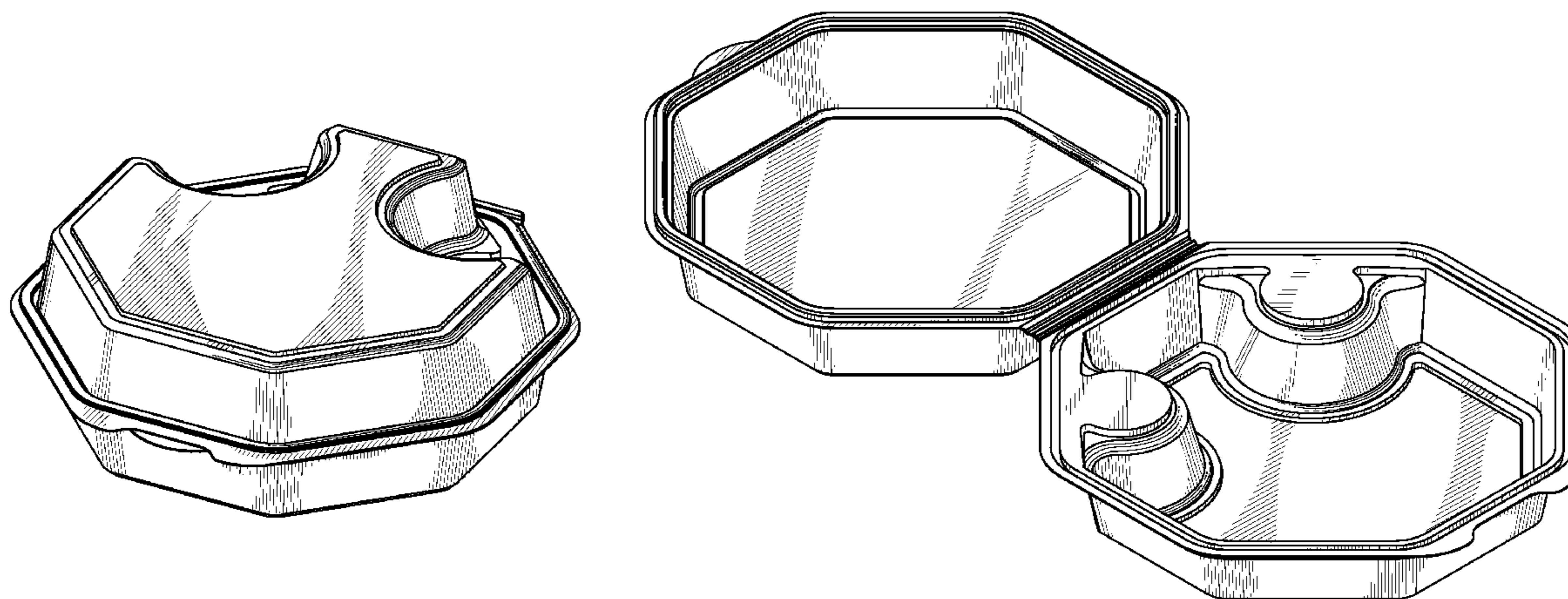


Fig. 1

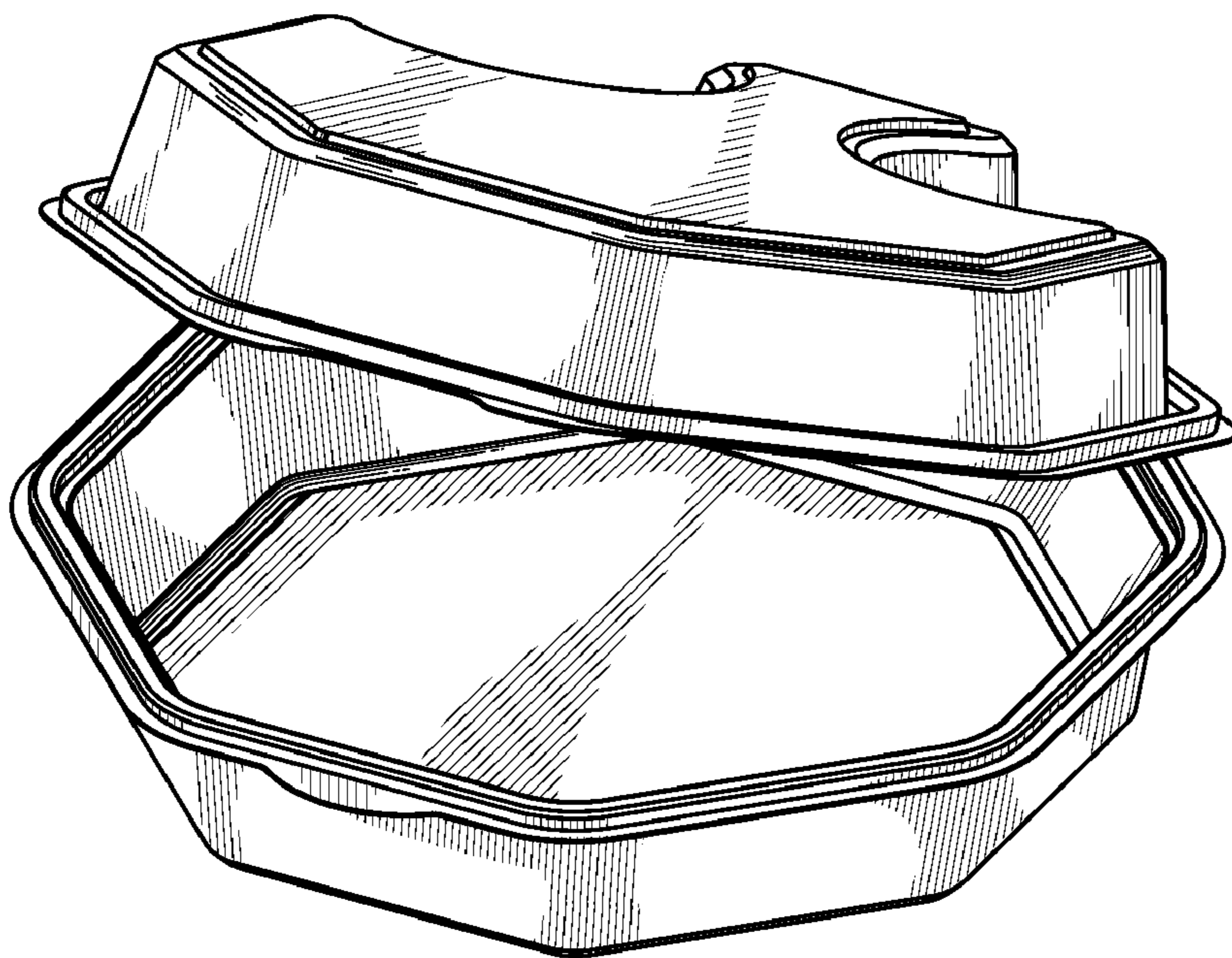


Fig. 2

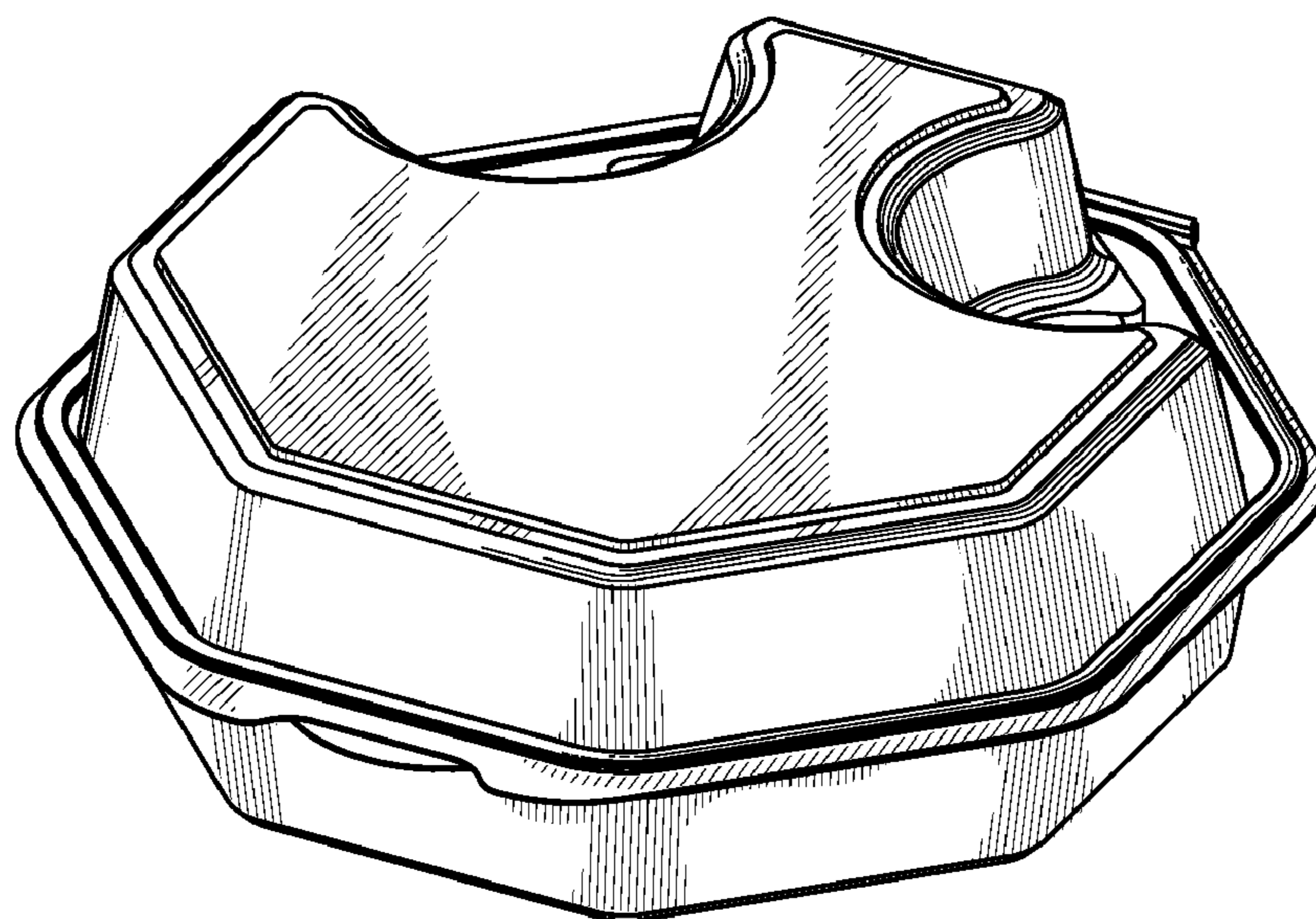


Fig. 3

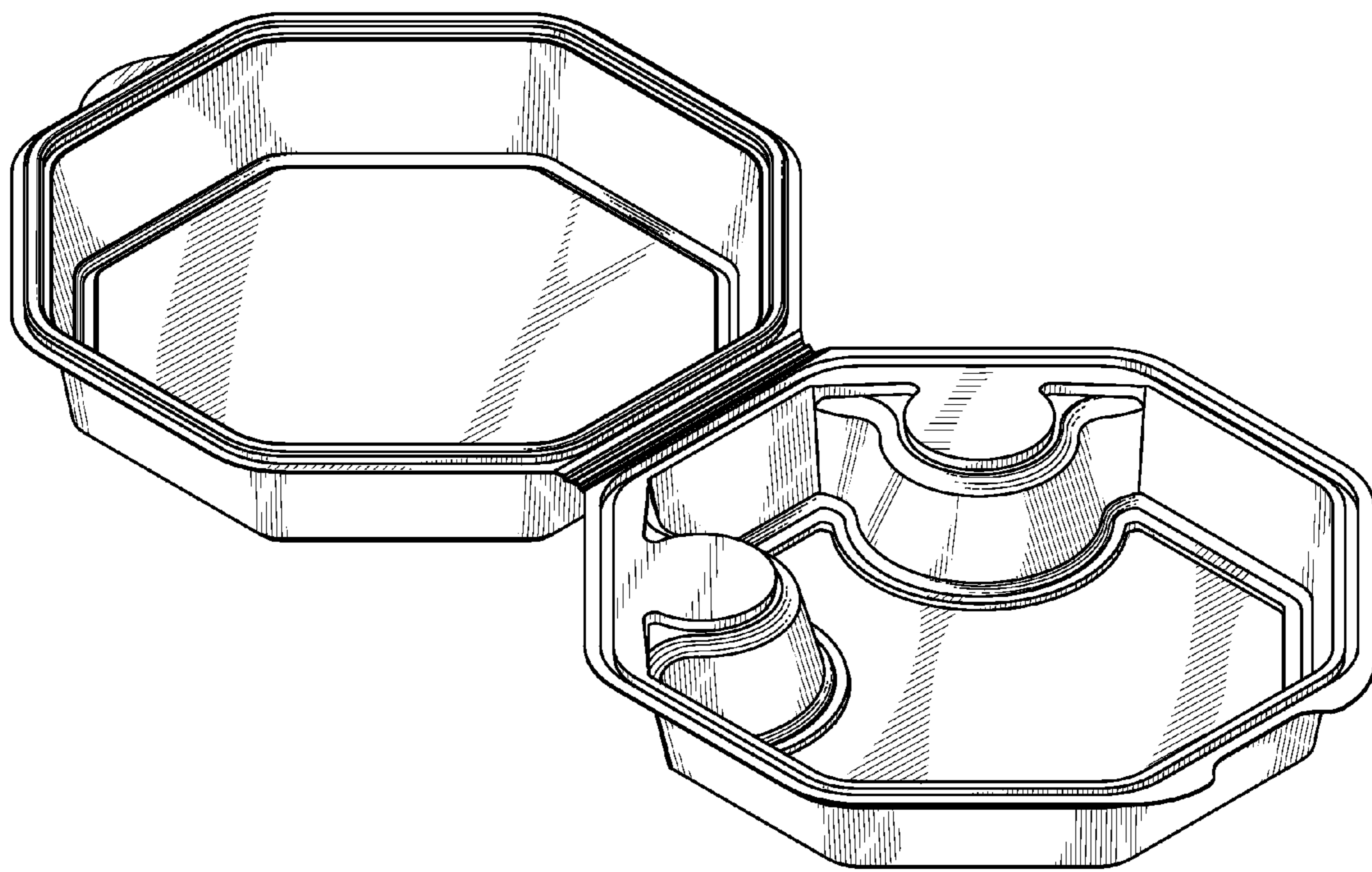


Fig. 4

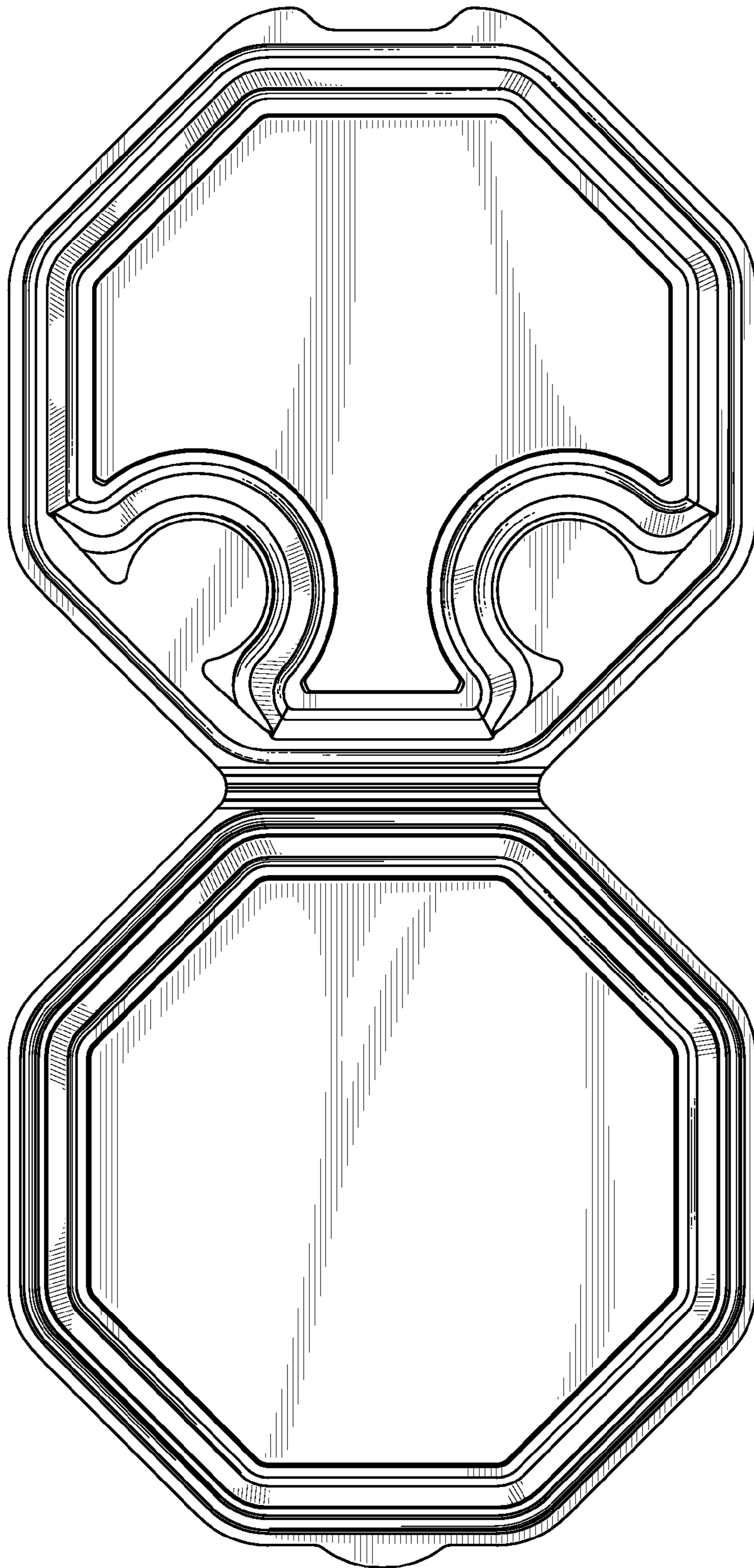


Fig. 5

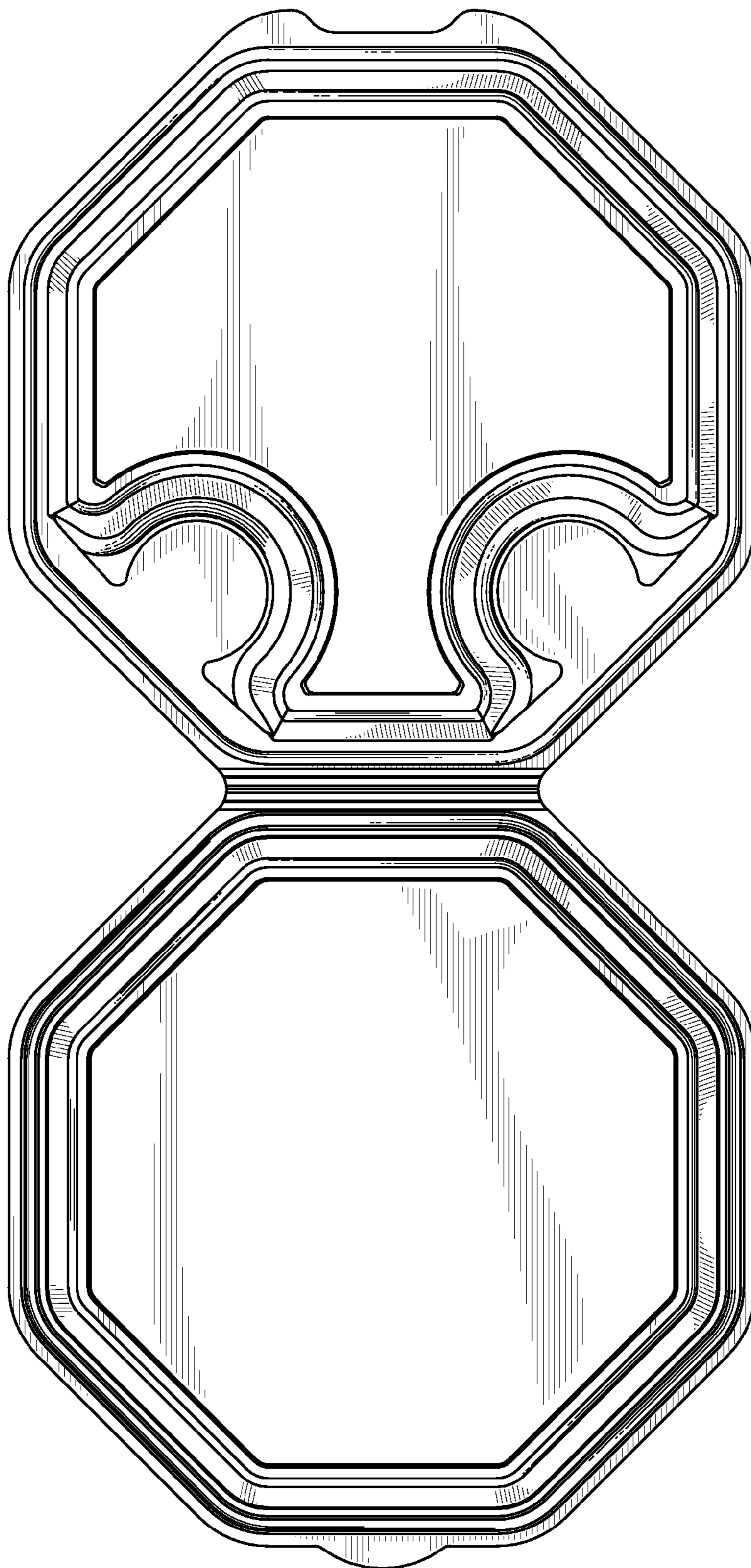


Fig. 6

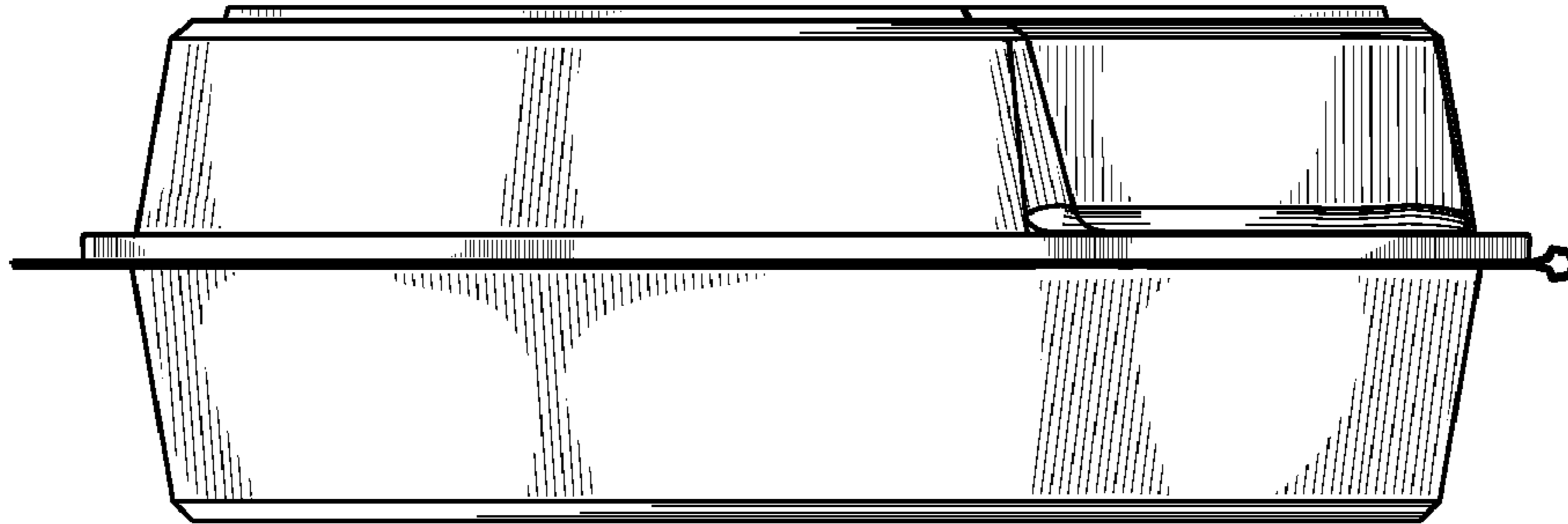


Fig. 7

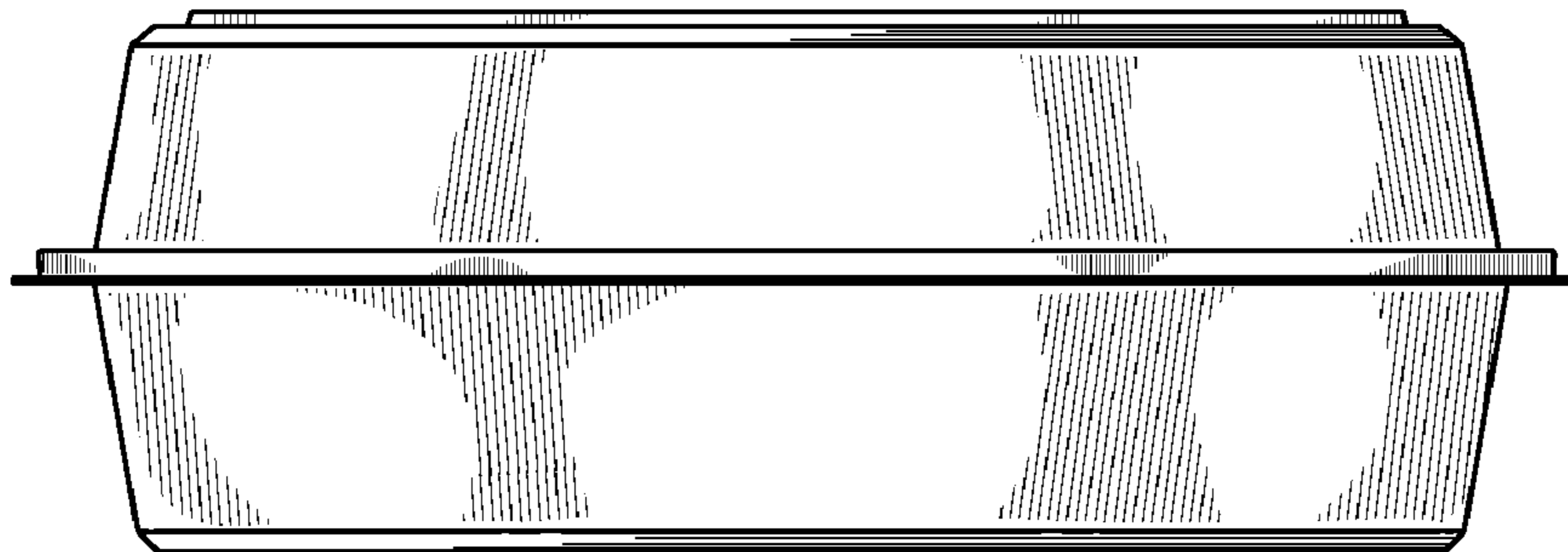


Fig. 8

