

US00D578872S

(12) **United States Design Patent**
Healy

(10) **Patent No.:** **US D578,872 S**

(45) **Date of Patent:** **** Oct. 21, 2008**

(54) **DOOR STOP**

(57) **CLAIM**

(76) **Inventor:** **Thomas Healy**, 28425 Championship Dr., Moreno Valley, CA (US) 92555

I claim the ornamental design for a door stop, as shown and described.

(**) **Term:** **14 Years**

DESCRIPTION

(21) **Appl. No.:** **29/288,757**

The door stop is a versatile device that can be: (1) positioned on the door hinge, (2) wedge underneath the door, (3) positioned on the width of the door, or (4) wedged into the top corner of an open door; to provide an easy and efficient way to stop and retain a door in an open position.

(22) **Filed:** **Jun. 21, 2007**

(51) **LOC (8) Cl.** **08-09**

(52) **U.S. Cl.** **D8/402**

(58) **Field of Classification Search** D8/400-499;
16/82, 86 A, 86 R; 292/251.5, 340, 17, DIG. 15
See application file for complete search history.

FIG. 1 is a perspective view of the door stop being positioned on the width of the door.

FIG. 2 is a perspective view of the door stop being positioned on the hinge of the door.

(56) **References Cited**

U.S. PATENT DOCUMENTS

D31,143 S *	7/1899	O'Dell	D8/402
5,056,836 A *	10/1991	Wells	292/288
D331,696 S *	12/1992	Graham	D8/402
D452,404 S *	12/2001	Cameron	D6/601
D455,644 S *	4/2002	Coffey	D8/402
D463,248 S *	9/2002	Rafferty	D8/344
2006/0032017 A1 *	2/2006	Agster et al.	16/86 R

FIG. 3 is a side view of the door stop being wedged into the top corner of an open door;

FIG. 4 is a perspective view of the door stop being wedged underneath the door.

FIG. 5 is a bottom view of the door stop.

FIG. 6 is a top view of the door stop.

FIG. 7 is the front view of the door stop.

FIG. 8 is the back view of the door stop.

FIG. 9 is a side view of the door stop; and,

FIG. 10 is the other side view of the door stop.

* cited by examiner

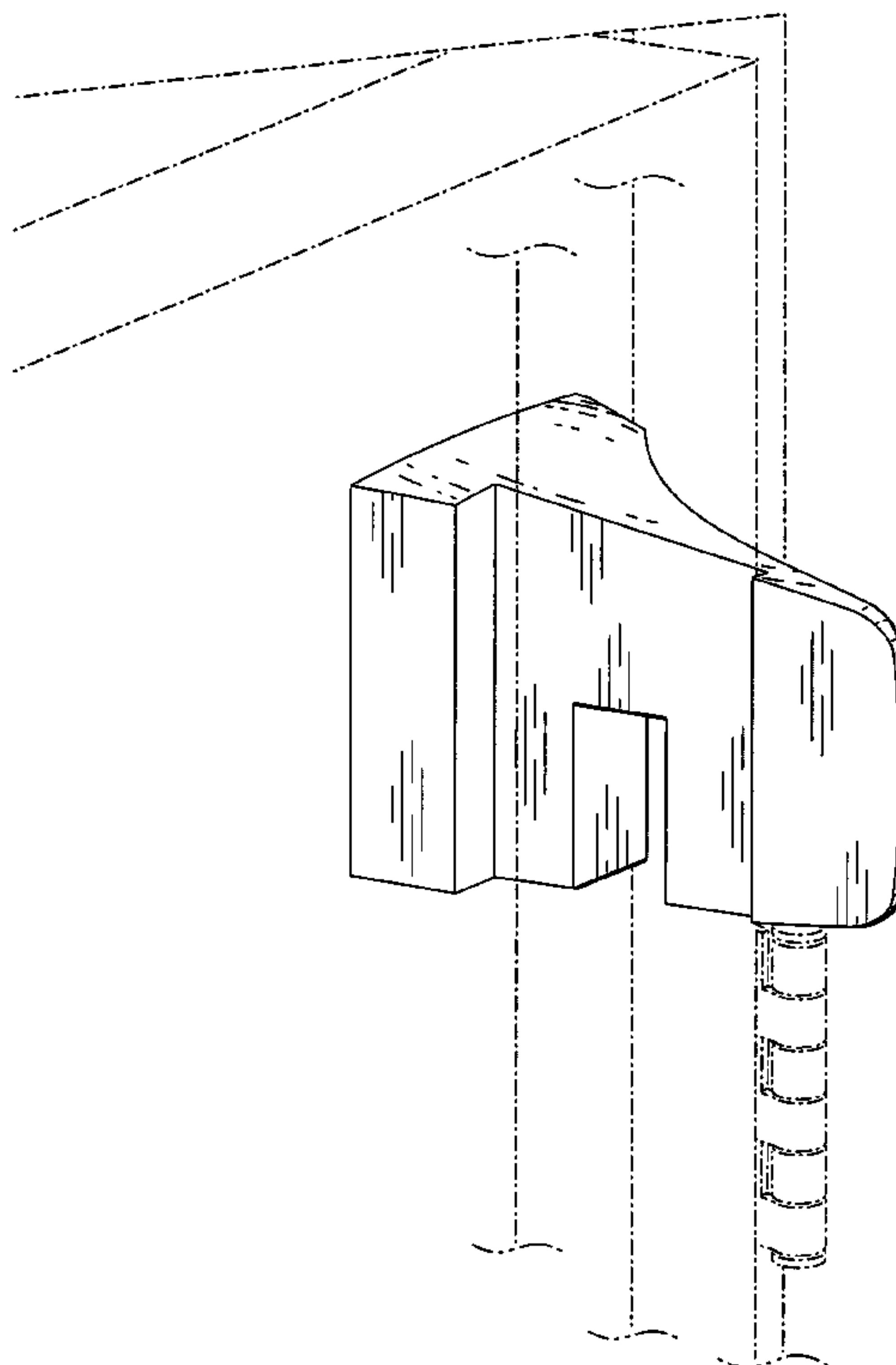
The broken lines in FIGS. 1, 2, 3, and 4 displaying a door, door hinge, and door frame are for illustrative purposes only and form no part of the claimed design.

Primary Examiner—Cathron Brooks

Assistant Examiner—Barbara Fox

(74) *Attorney, Agent, or Firm*—The Walker Law Firm; Allan Grant

1 Claim, 6 Drawing Sheets



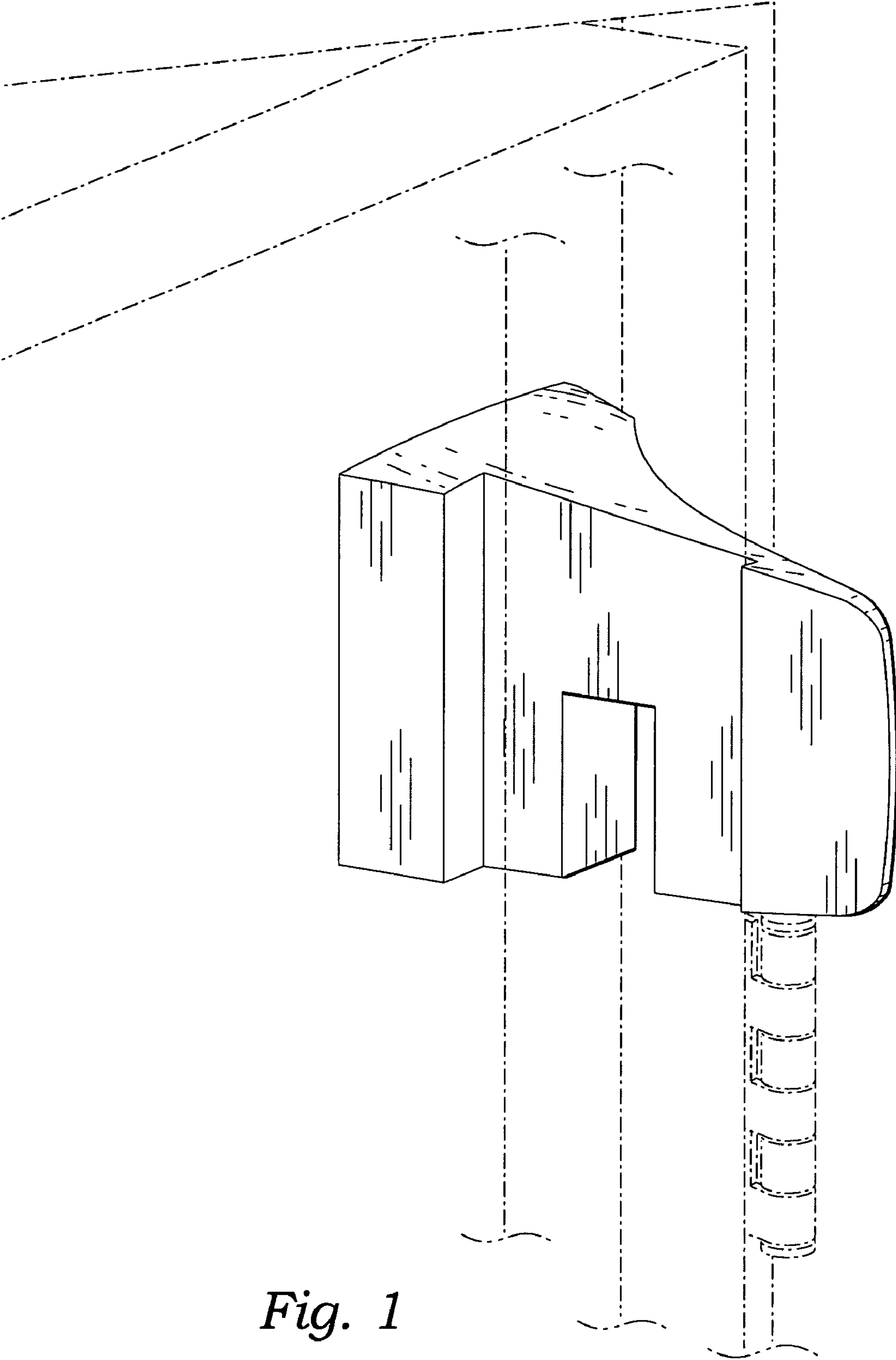


Fig. 1

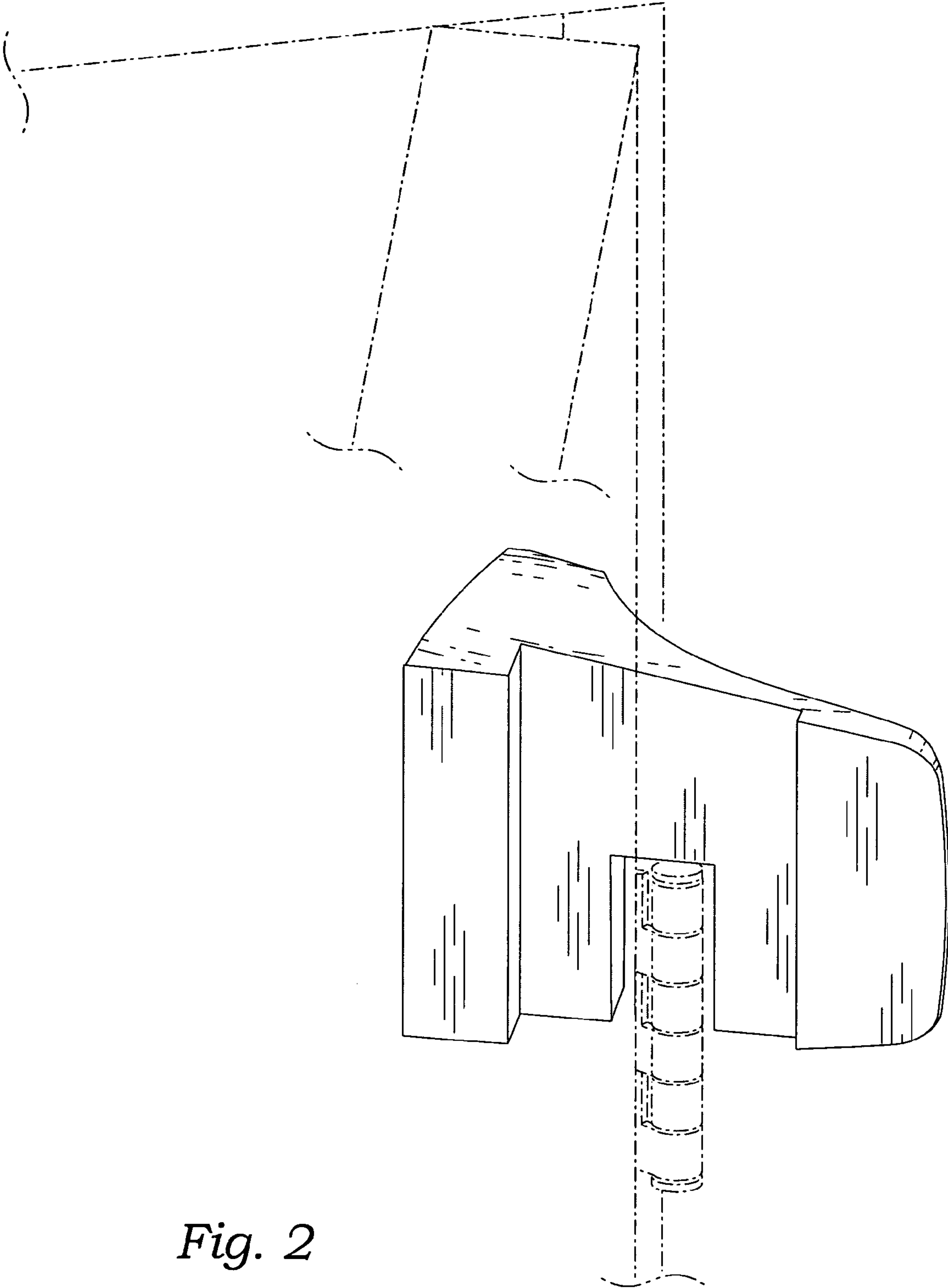


Fig. 2

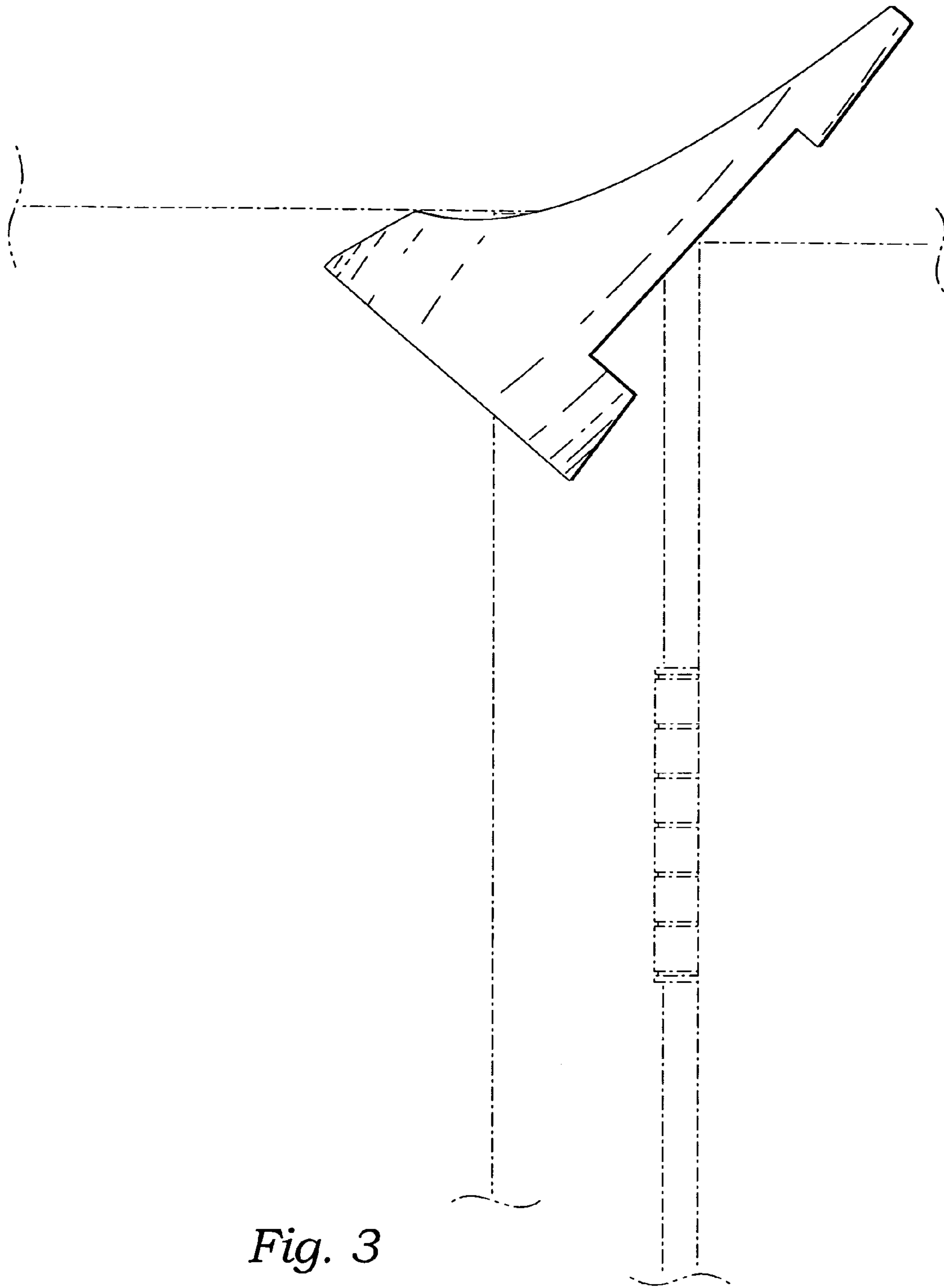


Fig. 3

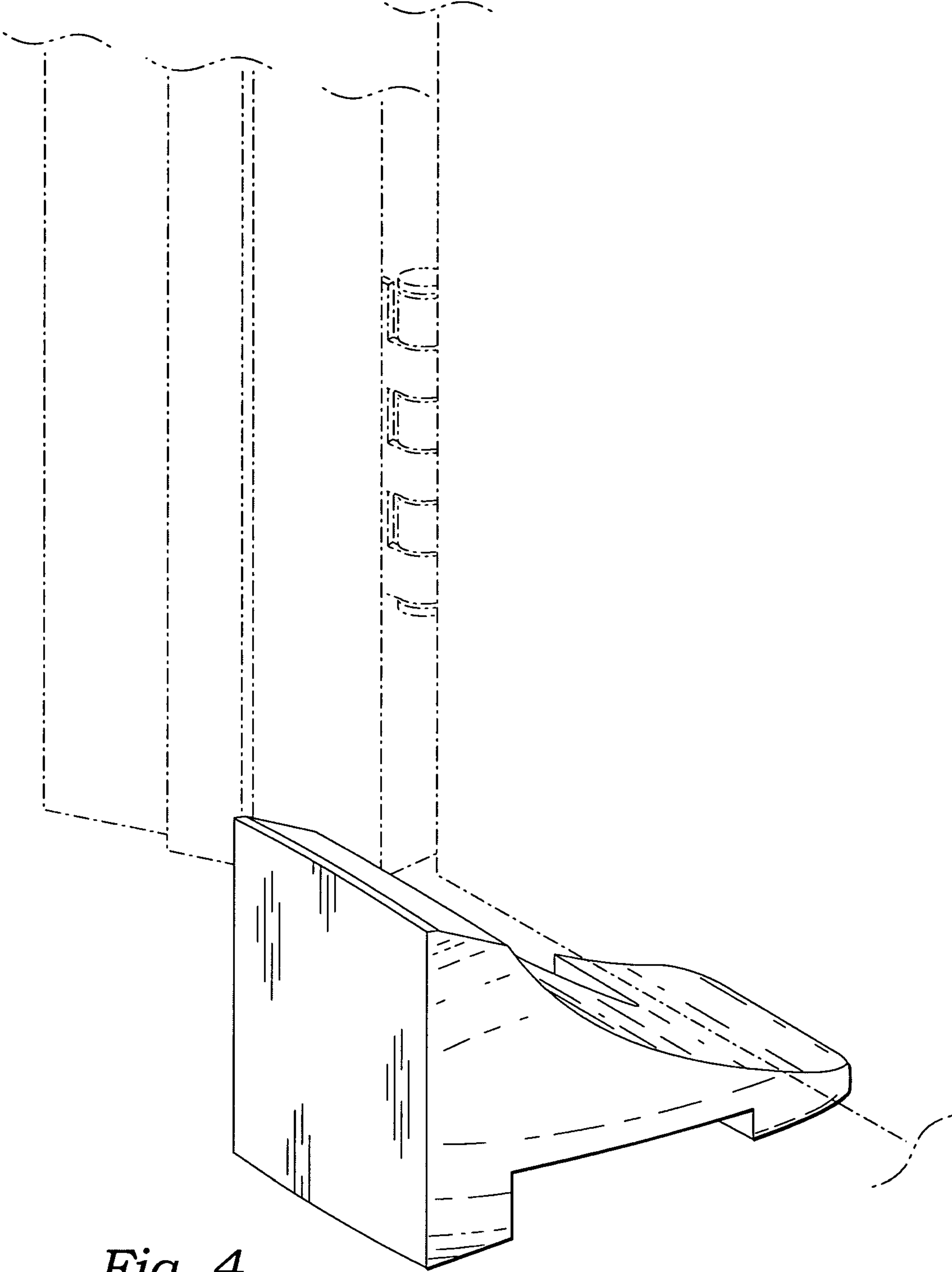


Fig. 4

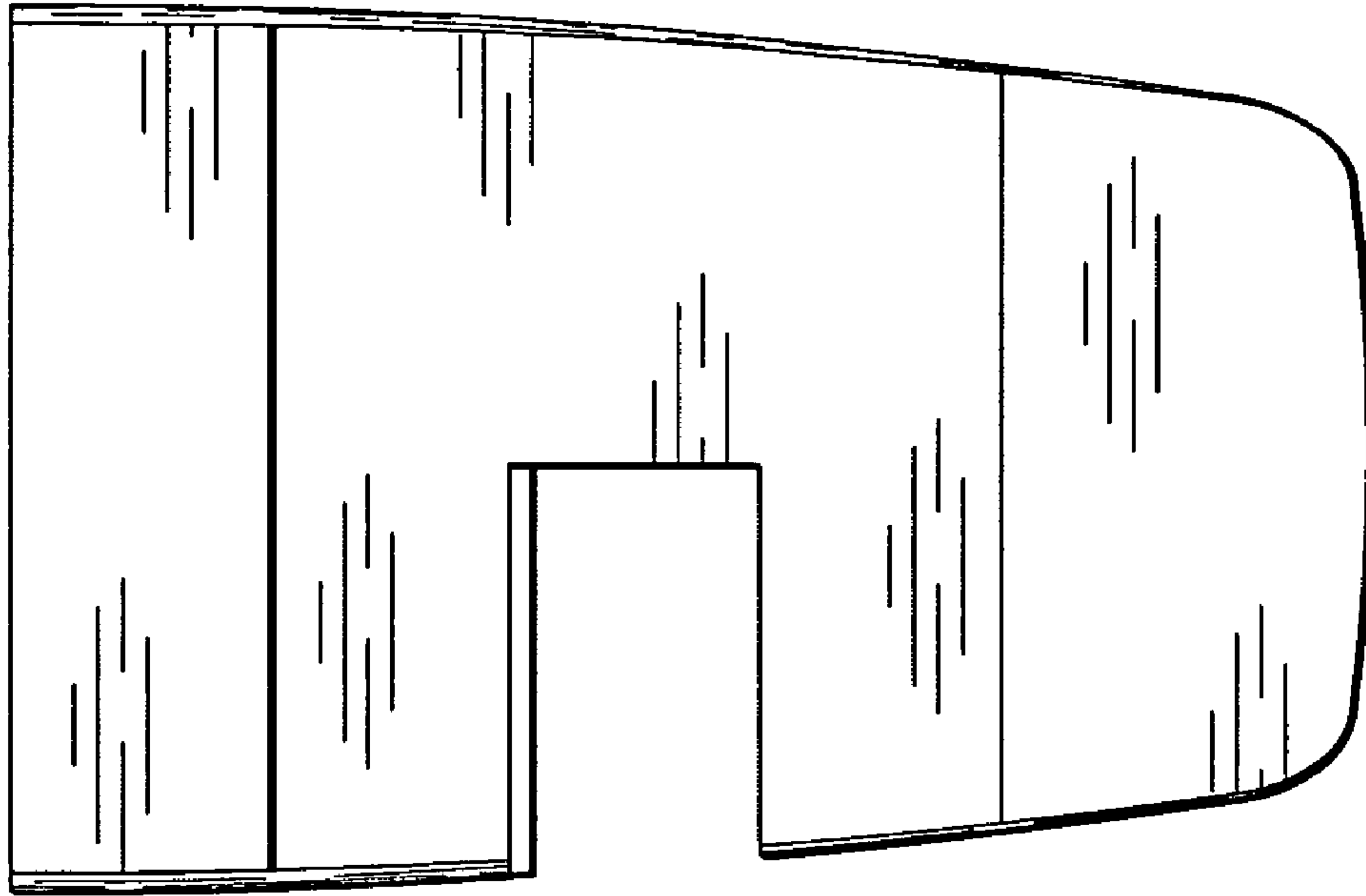


Fig. 5

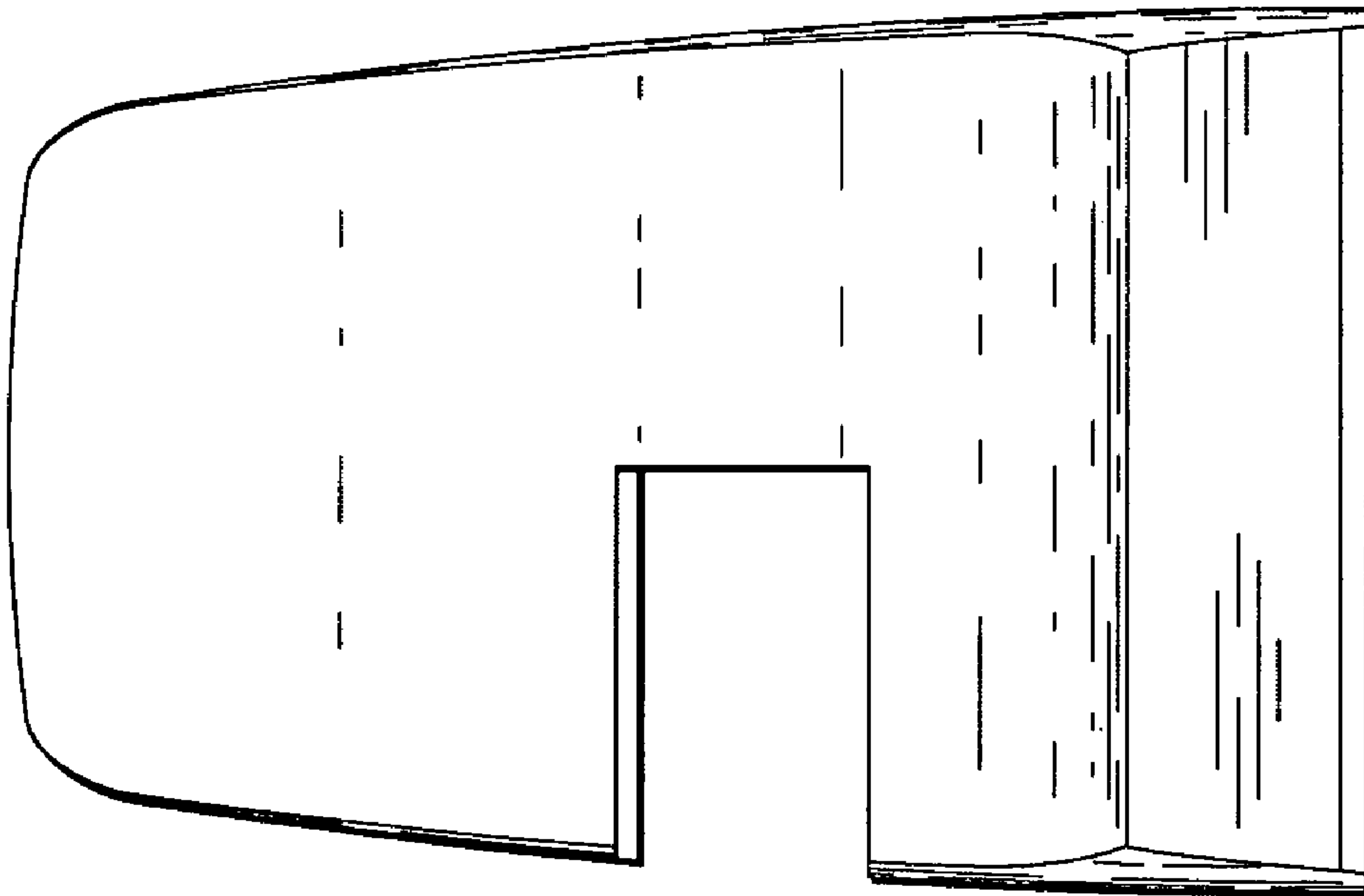


Fig. 6

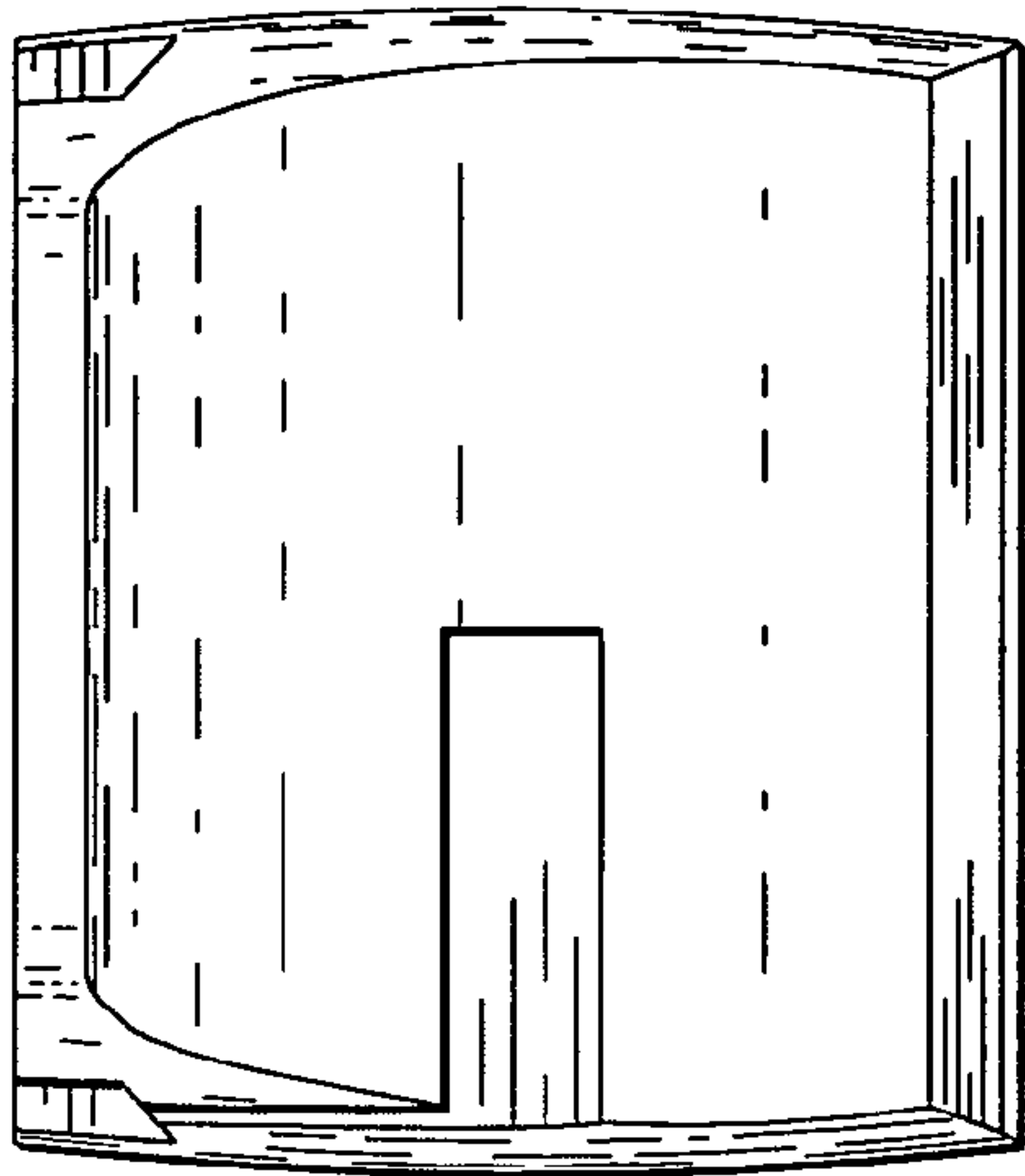


Fig. 7

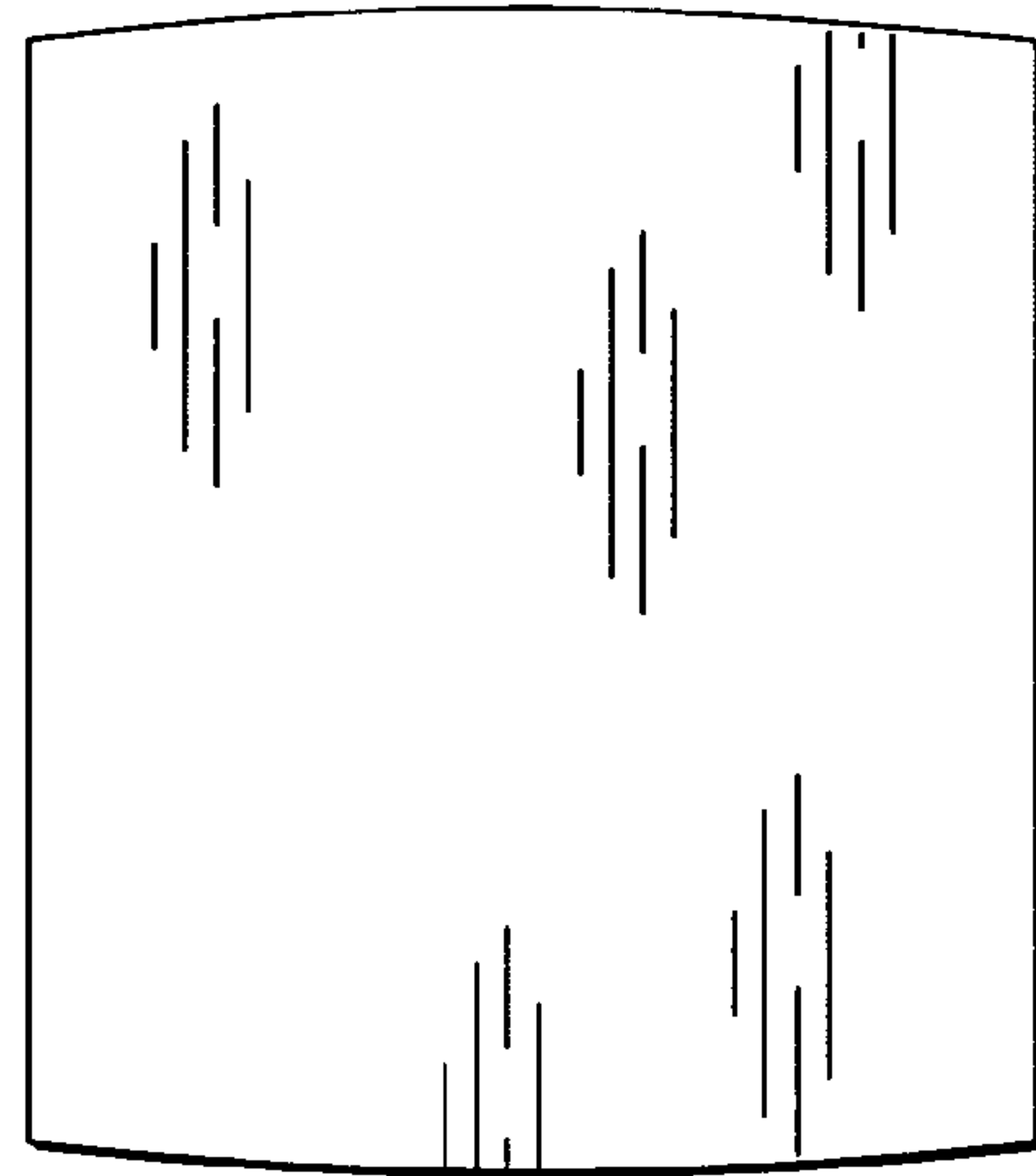


Fig. 8

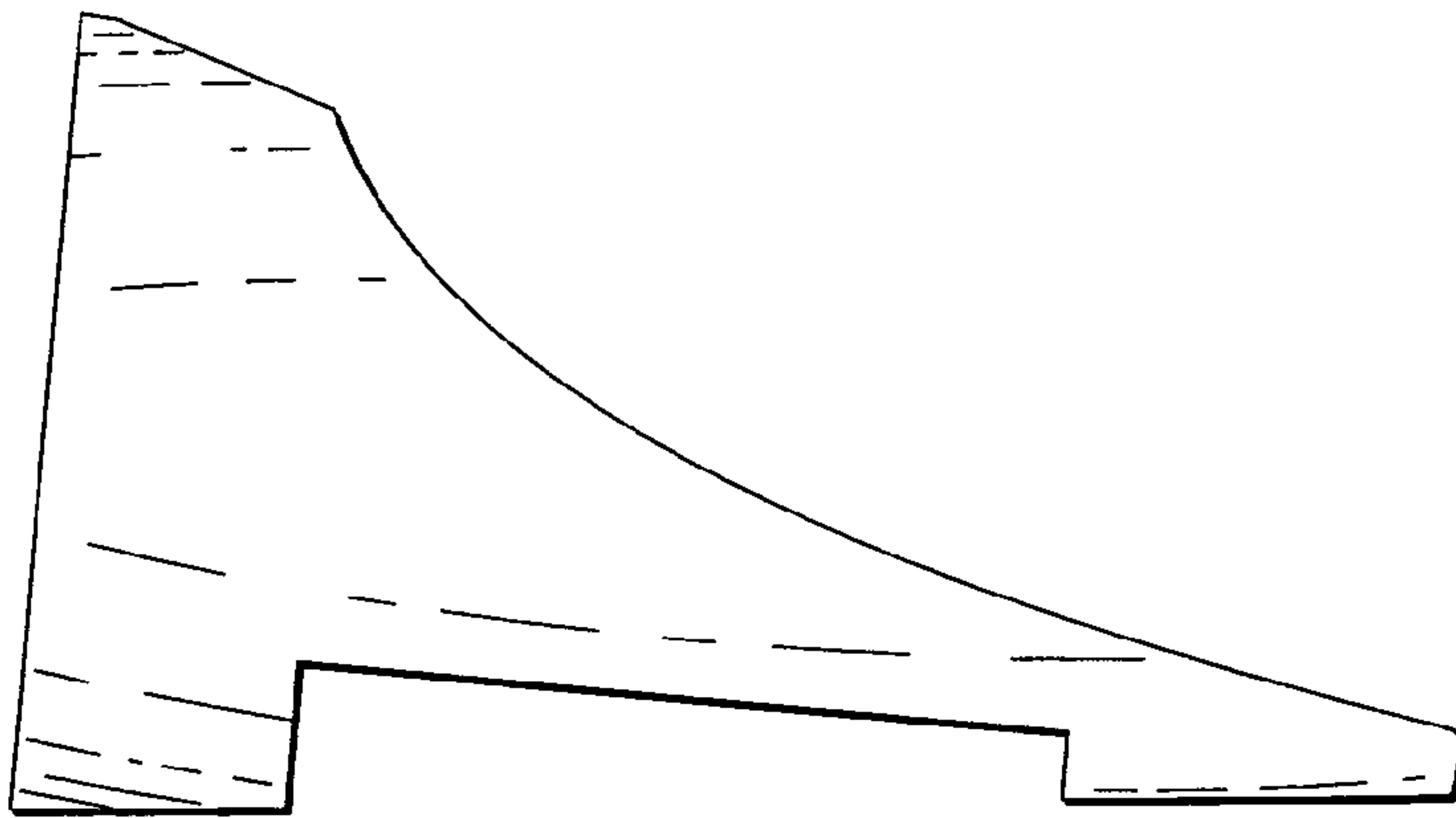


Fig. 9

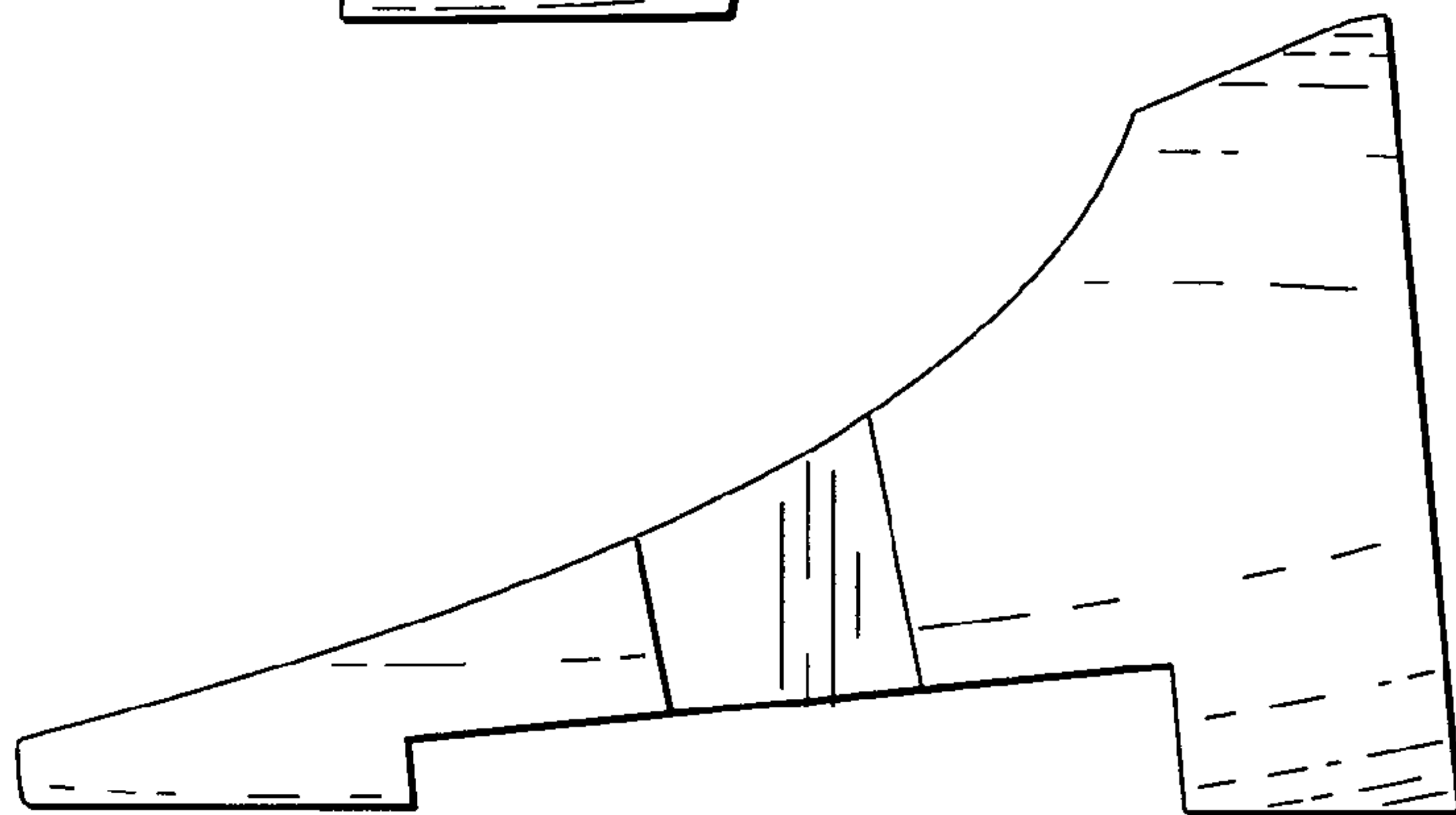


Fig. 10