



US00D578871S

(12) **United States Design Patent**  
**Rogers**

(10) **Patent No.:** **US D578,871 S**  
(45) **Date of Patent:** **\*\* Oct. 21, 2008**

(54) **CLOSET ROD**

(76) Inventor: **David Rogers**, 15 Evergreen Cir.,  
Canton, MA (US) 02021

(\*\*) Term: **14 Years**

(21) Appl. No.: **29/226,841**

(22) Filed: **Apr. 1, 2005**

(51) **LOC (8) Cl.** ..... **08-05**

(52) **U.S. Cl.** ..... **D8/376**

(58) **Field of Classification Search** ..... D8/71,  
D8/315, 368, 375, 376, 377; D6/553, 577,  
D6/578, 579, 580, 581; D25/55, 119, 121,  
D25/122, 123; 211/70.6, 72, 90.1, 123, 105.3,  
211/94.01, 194; 16/87.4 R, 90, 93 D, 94 R,  
16/96 R; 160/19, 38, 168.1 V, 178.1 R, 330,  
160/341, 345; 248/251, 262, 265; 428/156

See application file for complete search history.

(56) **References Cited**

**U.S. PATENT DOCUMENTS**

D199,187 S *	9/1964	Ford	.....	D8/377
D231,326 S *	4/1974	Miki	.....	D8/377
D245,756 S *	9/1977	McKee	.....	D8/376
D264,936 S *	6/1982	Ross	.....	D8/376
4,643,318 A *	2/1987	Kopp	.....	211/123
D292,874 S *	11/1987	Clauss	.....	D8/377
D326,027 S *	5/1992	Estes	.....	D6/553
D337,257 S *	7/1993	Danieli	.....	D8/376
D355,093 S *	2/1995	Morris	.....	D6/580
D355,353 S *	2/1995	Pozzi	.....	D8/377
D418,741 S *	1/2000	Rouse	.....	D8/376
D419,858 S *	2/2000	Bosgoed	.....	D8/377

D464,870 S *	10/2002	Fraser	.....	D8/373
D478,271 S *	8/2003	McCoy et al.	.....	D8/376
D486,340 S *	2/2004	Sudano	.....	D6/577
D488,055 S *	4/2004	Ter Braak	.....	D8/377
6,719,158 B2 *	4/2004	Goldberg	.....	211/123
D545,182 S *	6/2007	Heitel et al.	.....	D8/377
D554,982 S *	11/2007	Wenck	.....	D8/376
2004/0105959 A1 *	6/2004	Pearsall et al.	.....	428/156
2004/0200791 A1 *	10/2004	Bostick et al.	.....	211/94.01
2006/0070966 A1 *	4/2006	Koudys et al.	.....	211/105.3
2006/0278594 A1 *	12/2006	Macon	.....	211/123

**OTHER PUBLICATIONS**

IDS Appendix.

\* cited by examiner

*Primary Examiner*—T. Chase Nelson

*Assistant Examiner*—Barbara B Lohr

(74) *Attorney, Agent, or Firm*—Wolf, Greenfield & Sacks, P.C.

(57) **CLAIM**

The ornamental design for closet rod, as shown and described.

**DESCRIPTION**

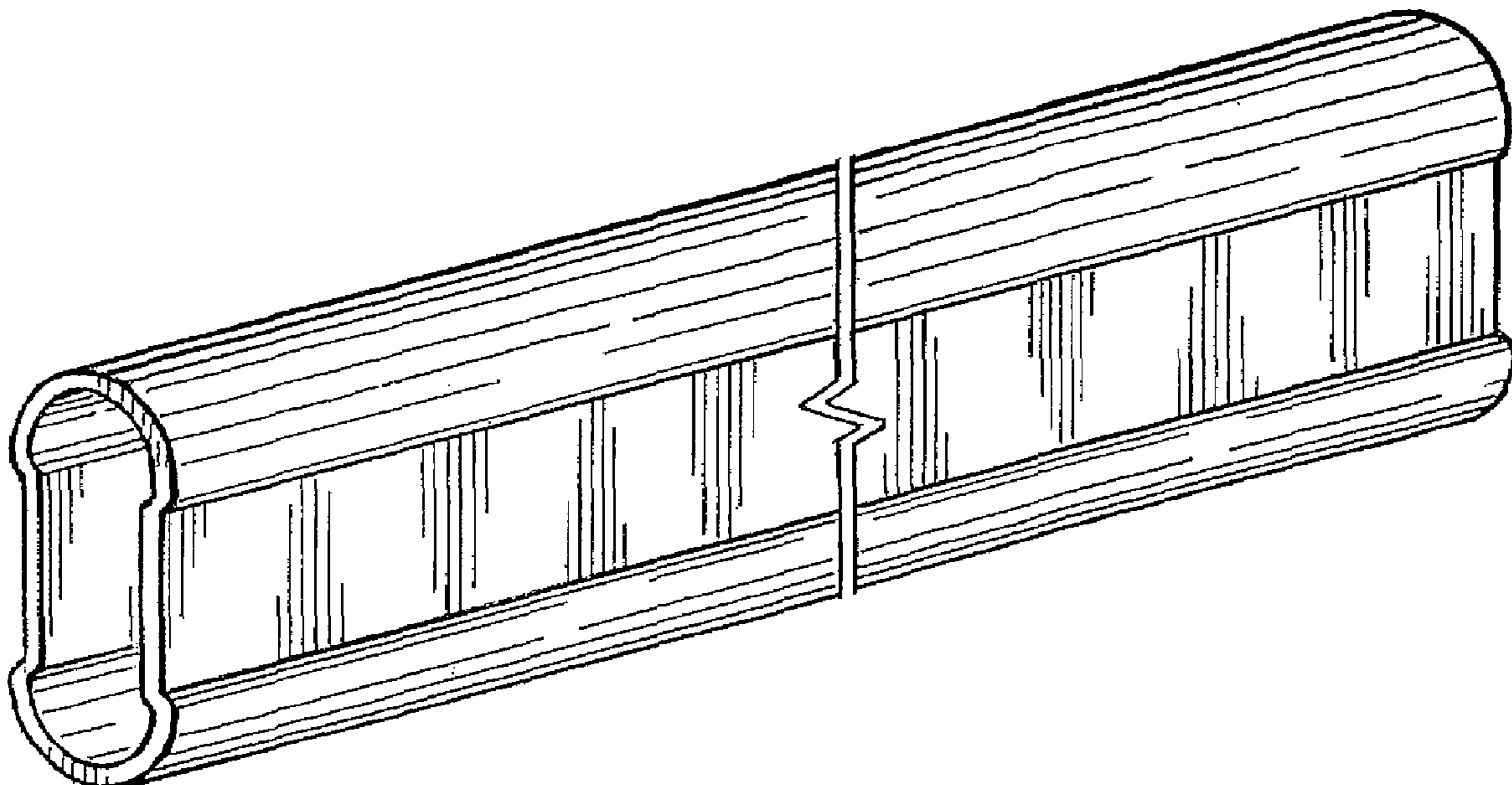
FIG. 1 is a perspective view of the closet rod;

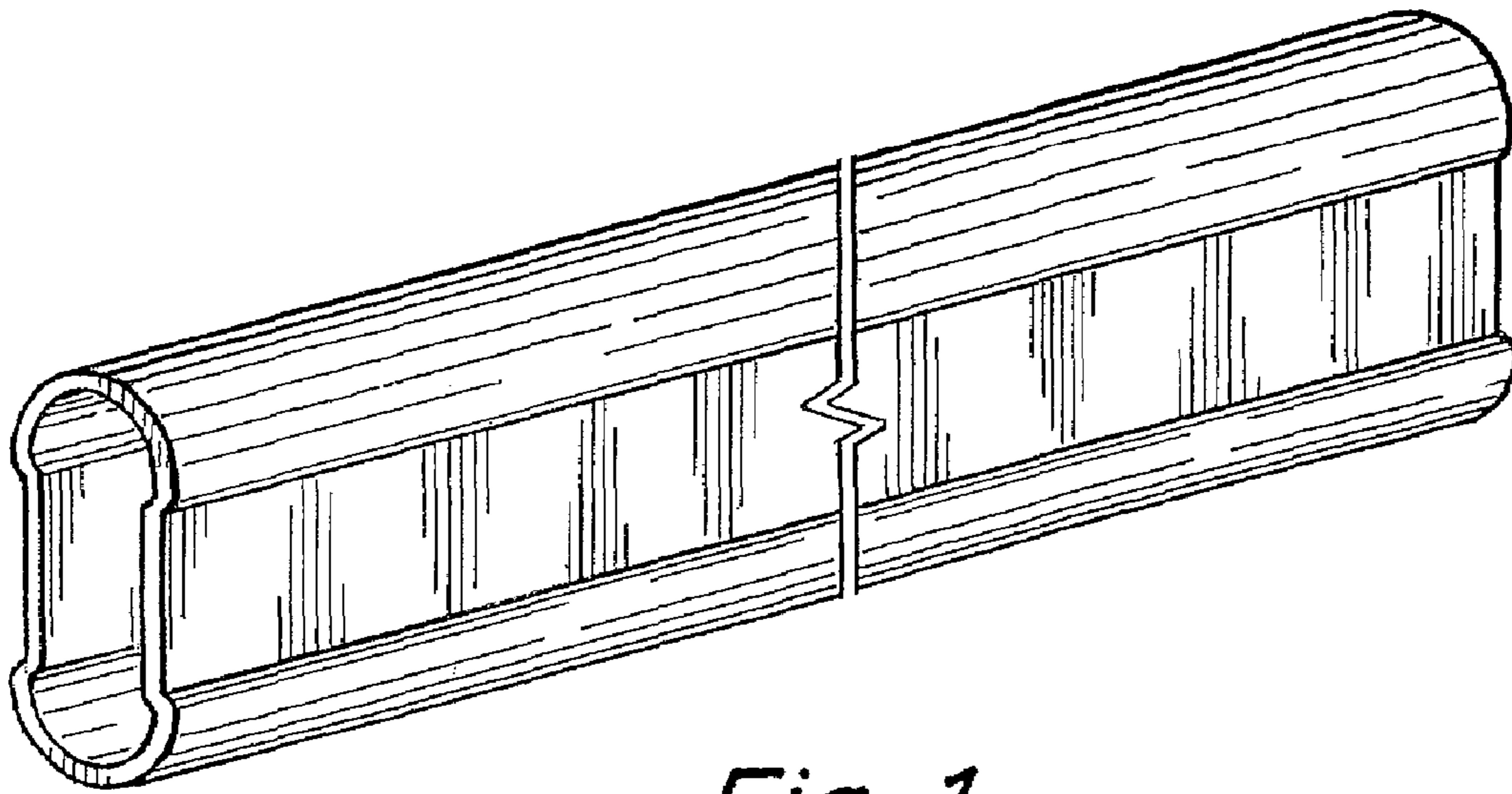
FIG. 2 is a side view of the closet rod; and,

FIG. 3 is an end view of the closet rod.

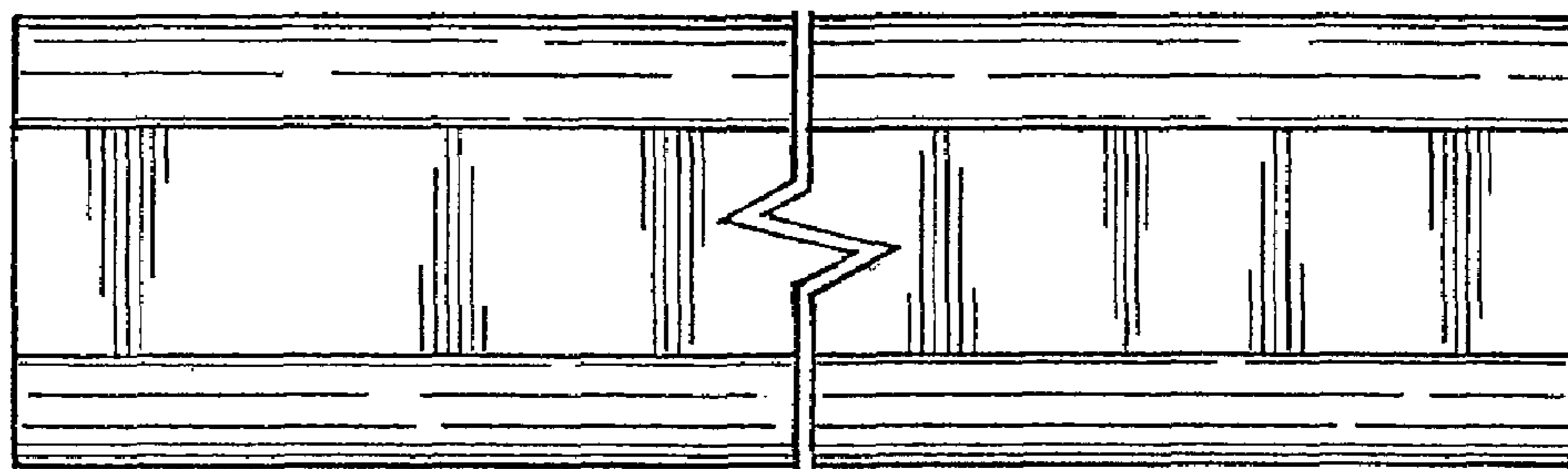
The design is shown broken away in the FIGS. 1 and 2 views in order to indicate that a specific length of closet rod forms no part of the claimed design.

**1 Claim, 1 Drawing Sheet**

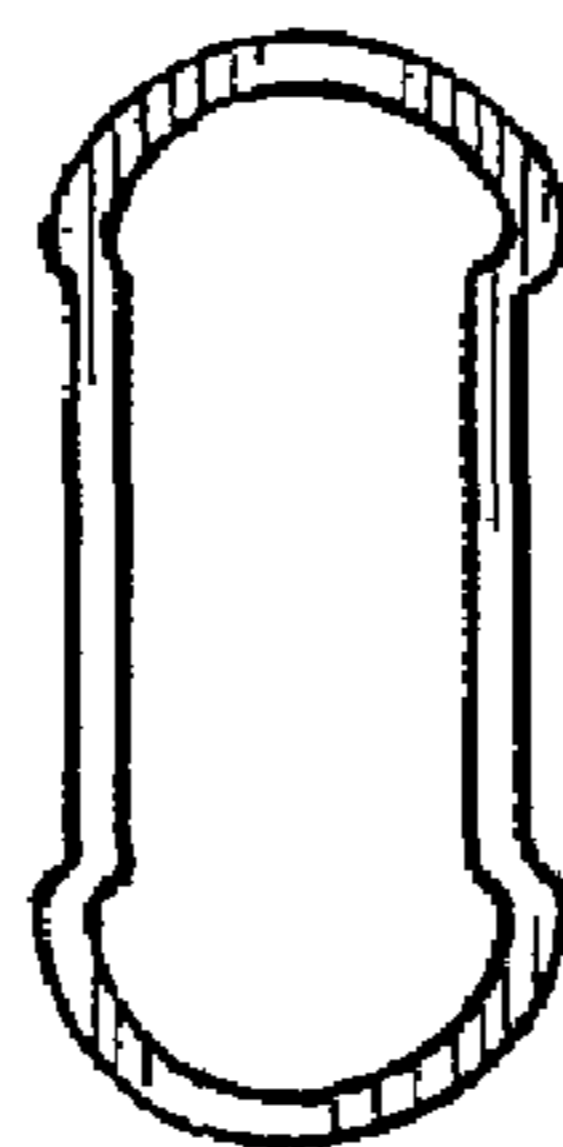




*Fig. 1*



*Fig. 2*



*Fig. 3*