



US00D578870S

(12) **United States Design Patent**
Sorkin

(10) **Patent No.:** **US D578,870 S**

(45) **Date of Patent:** **** Oct. 21, 2008**

(54) **GRADE CHAIR**

(76) **Inventor:** **Felix L. Sorkin**, 13022 Trinity Dr.,
Stafford, TX (US) 77477

(**) **Term:** **14 Years**

(21) **Appl. No.:** **29/303,818**

(22) **Filed:** **Feb. 18, 2008**

(51) **LOC (8) Cl.** **08-05**

(52) **U.S. Cl.** **D8/354**

(58) **Field of Classification Search** D8/349,
D8/354, 356, 382, 388; D25/133, 199; 52/677-679,
52/682, 684-689; 404/134-136

See application file for complete search history.

(56) **References Cited**

U.S. PATENT DOCUMENTS

3,387,423	A *	6/1968	Andersen	52/678
3,693,310	A *	9/1972	Middleton	52/685
D240,708	S *	7/1976	Ilukowicz	D25/199
4,060,954	A *	12/1977	Liuzza	52/677
D271,846	S *	12/1983	Hernandez	D8/356
D271,847	S *	12/1983	Hernandez	D8/356
4,498,270	A *	2/1985	Ilukowicz	52/685
D279,352	S *	6/1985	Mitchell et al.	D8/354
4,682,461	A *	7/1987	Sizemore	52/689
4,835,933	A *	6/1989	Yung	52/685
D324,643	S *	3/1992	Turek et al.	D8/356
5,107,654	A *	4/1992	Leonardis	52/685
D334,133	S *	3/1993	Hartzheim	D8/354

5,729,949	A *	3/1998	Hartzheim	52/677
D394,200	S *	5/1998	Hartzheim	D8/354
D421,709	S *	3/2000	Haslem et al.	D8/354
D480,291	S *	10/2003	Sorkin	D8/354
D482,262	S *	11/2003	Sorkin	D8/354
D491,443	S *	6/2004	Lowery	D8/354
D500,243	S *	12/2004	Turek	D8/354
2004/0098942	A1 *	5/2004	Lee et al.	52/686

* cited by examiner

Primary Examiner—Holly H Baynham

Assistant Examiner—Cynthia M Chin

(74) *Attorney, Agent, or Firm*—Egbert Law Offices

(57) **CLAIM**

The ornamental design for a grade chair, as shown and described.

DESCRIPTION

The grade chair is used to support rebar in concrete construction.

FIG. 1 is an upper perspective view of the grade chair showing my design.

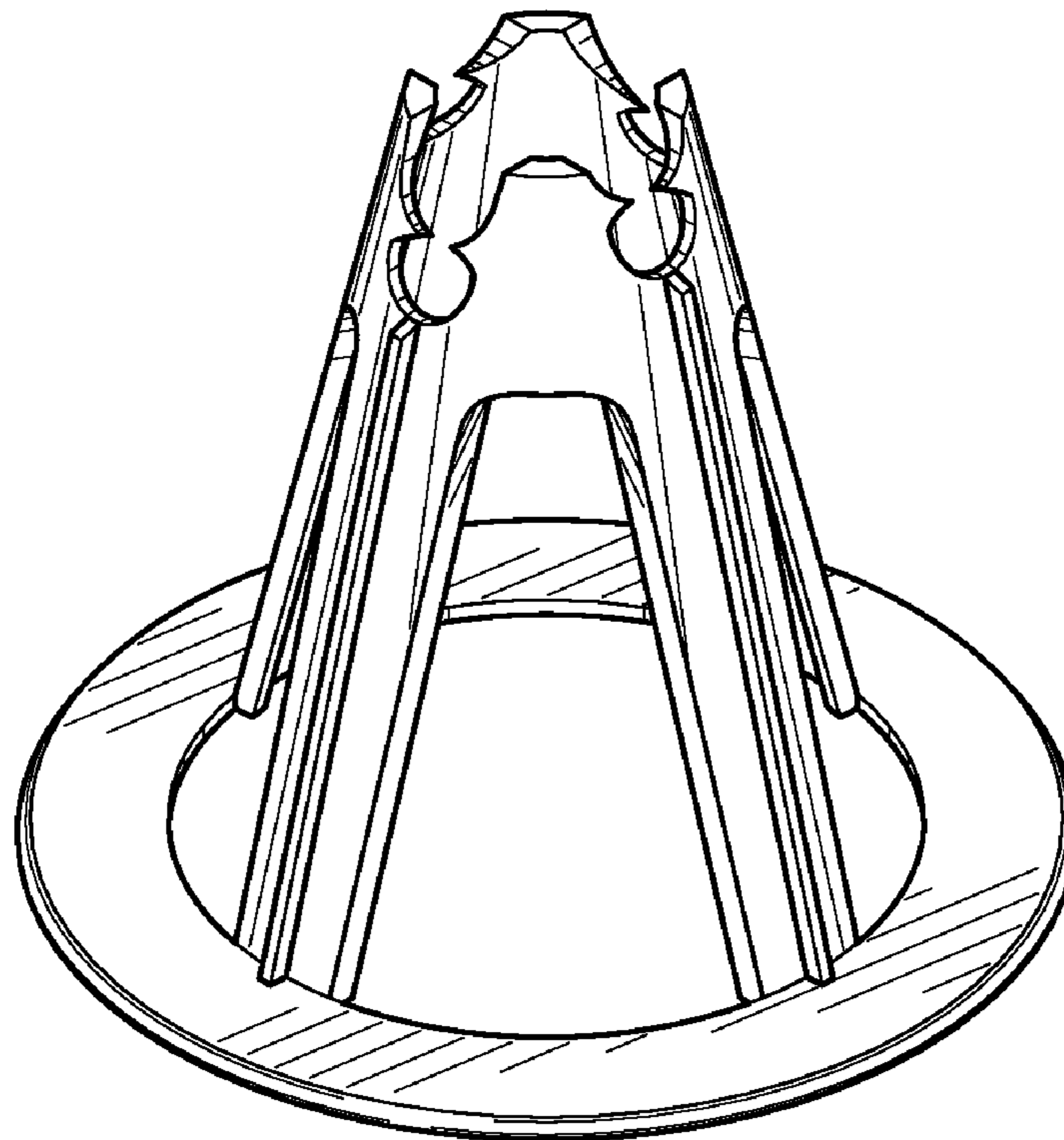
FIG. 2 is a front view thereof, a back view being a mirror image thereof;

FIG. 3 is a side view thereof, an opposite side view being a mirror image thereof;

FIG. 4 is a top plan view thereof; and,

FIG. 5 is a bottom view thereof.

1 Claim, 2 Drawing Sheets



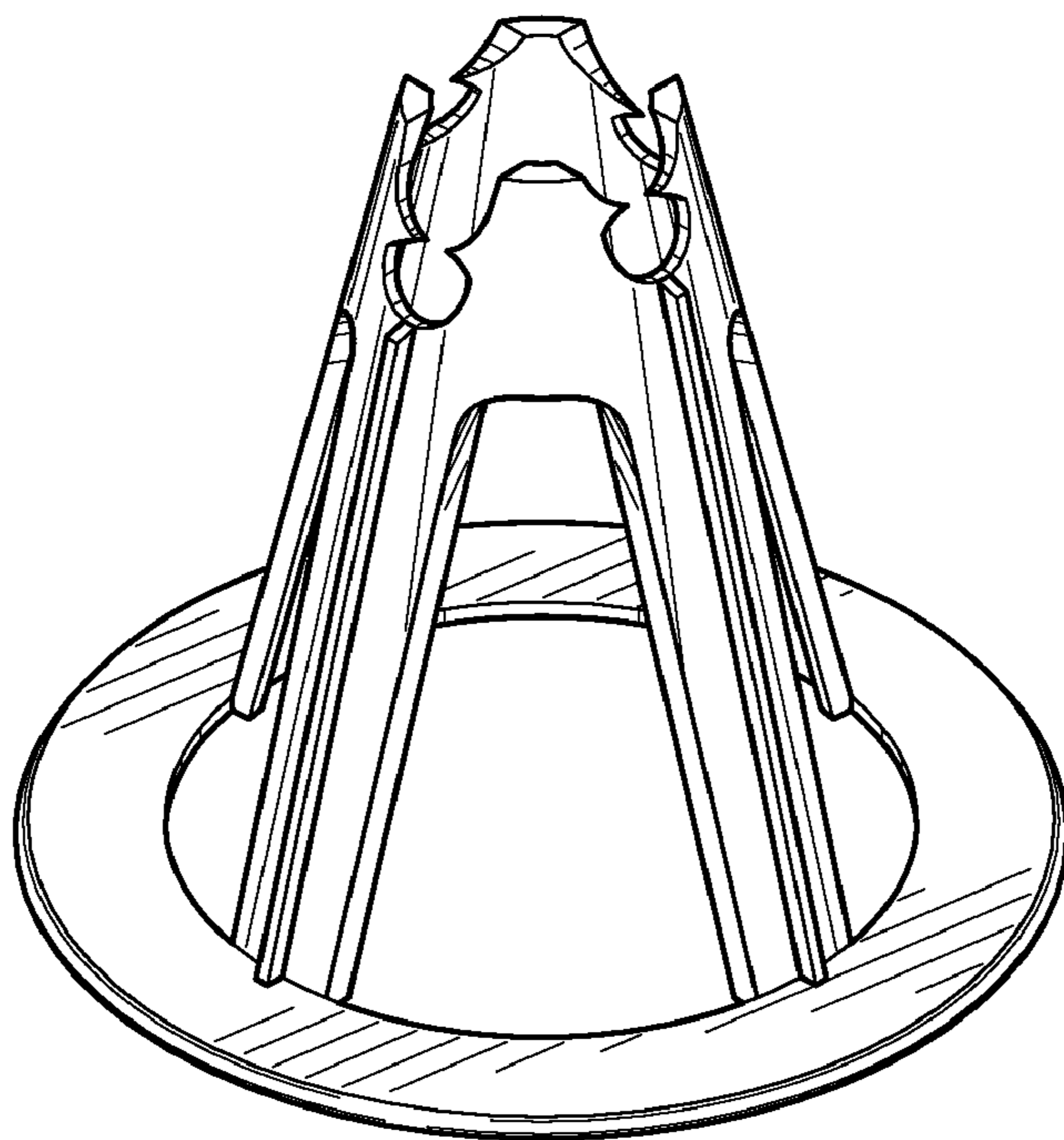


FIG. 1

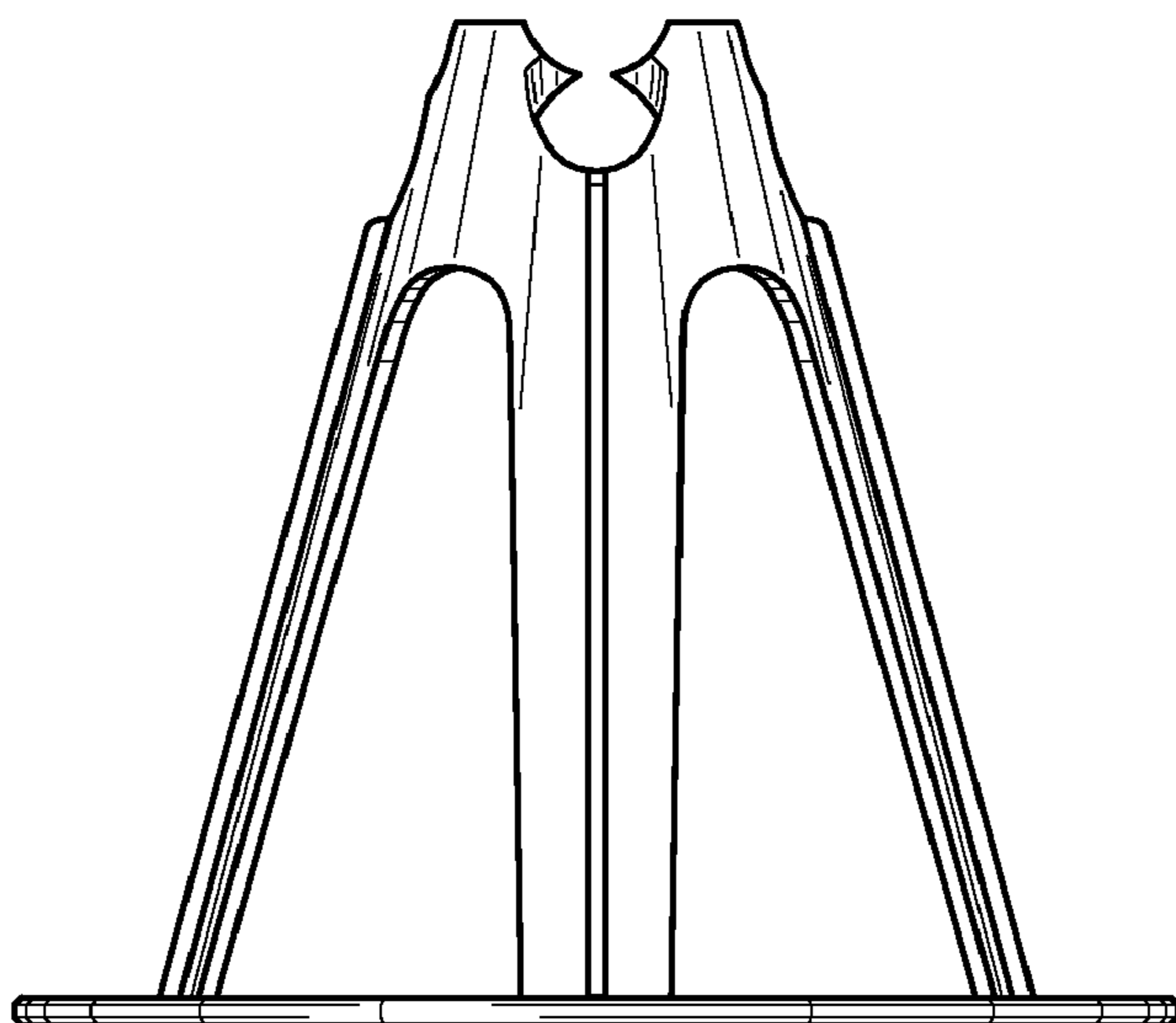


FIG. 2

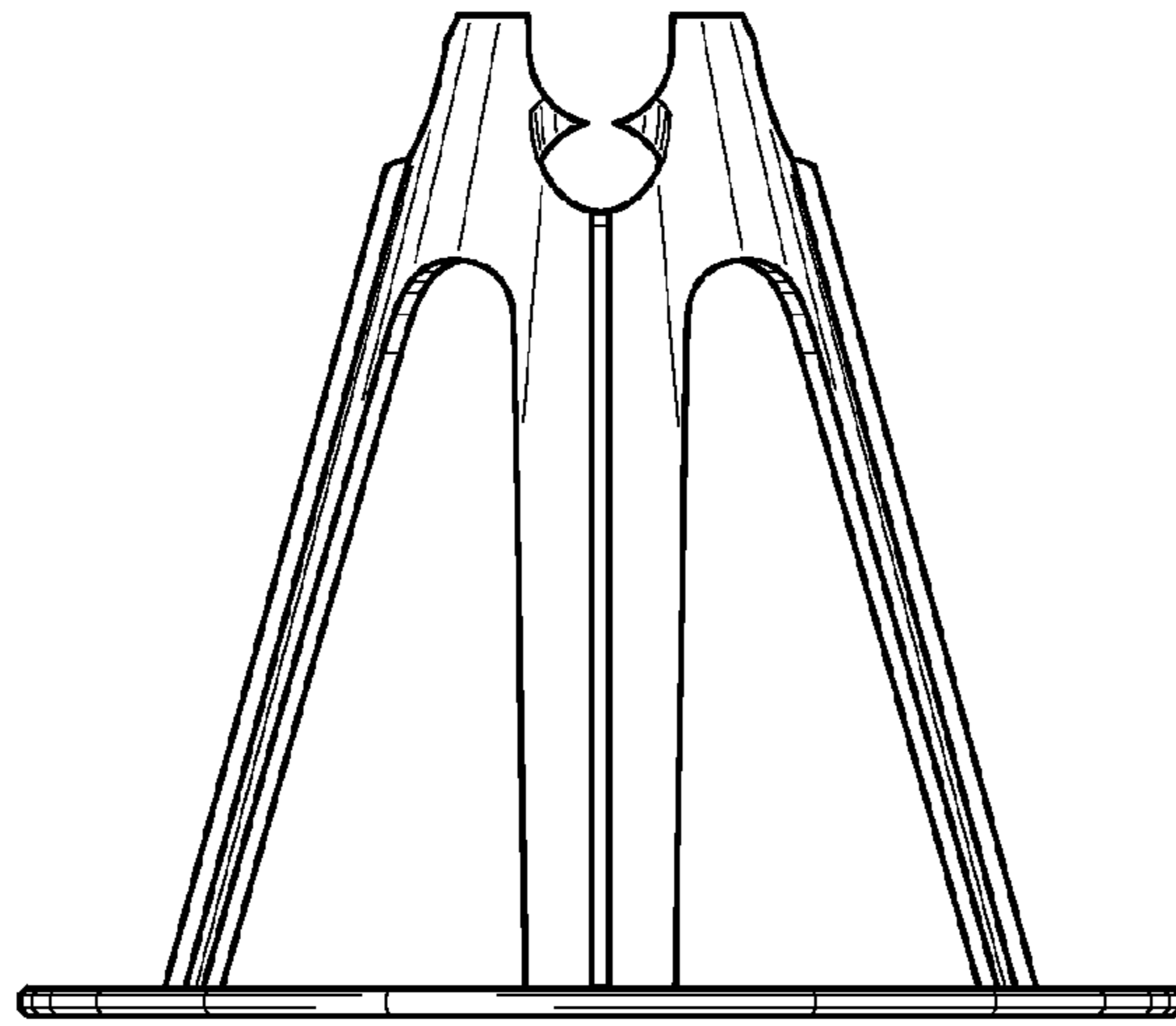


FIG. 3

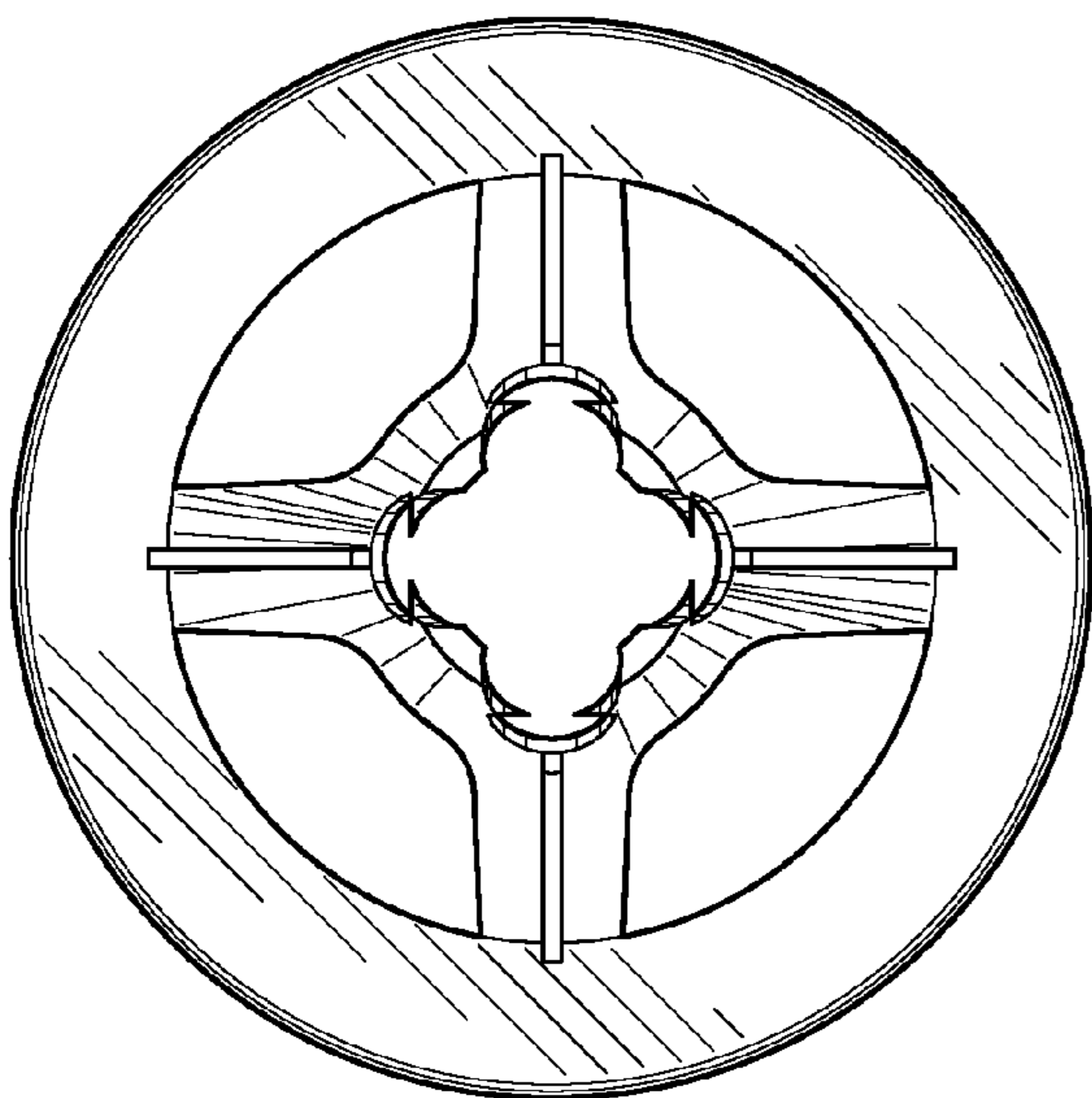


FIG. 4

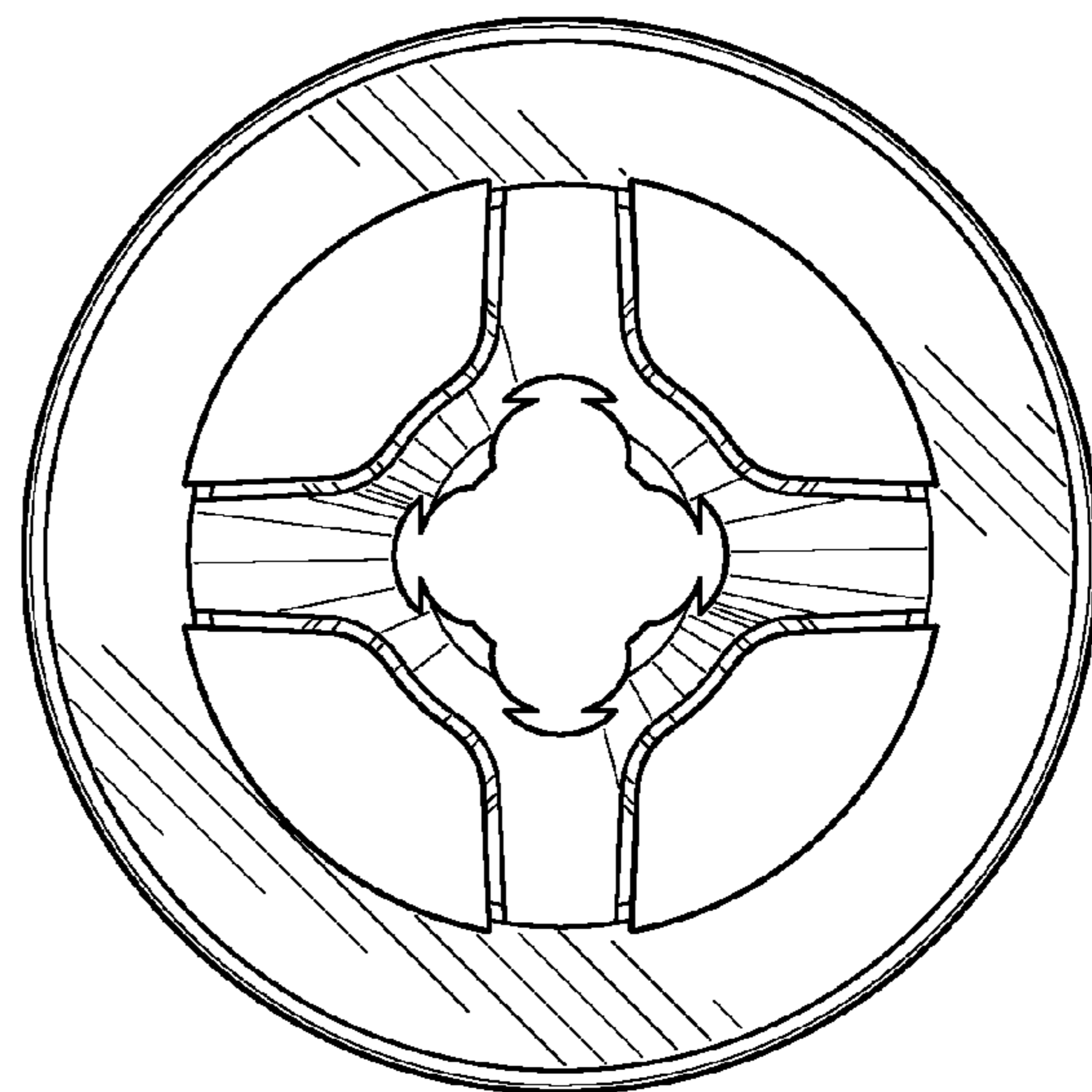


FIG. 5